



INVENTOR OF THE ORIGINAL ADJUSTABLE HANDLE



———— 2020 EDITION ————





(269) 932-1100



(269) 932-1015



us.info@kipp.com



www.kippusa.com

---

## COMPANY

Manufacturing Expertise 4

---

## SERVICE

CAD Download 6

Additional Products 6

Product Films 7

Ordering | Distributors 7

---

## OVERVIEW

Product Groups 8

New Products 10

Additional Products 12

---

## PRODUCTS

Index of Part Numbers 14

Image Index 16

Product Pages 38

---

TECHNICAL INFORMATION 466

---



## MANUFACTURING EXPERTISE TRUST IN KIPP

With over 100 years of manufacturing and engineering experience, KIPP sets the standard for quality and innovation in clamping tools, standard components, and operating parts. Our roots are in the Black Forest region of Germany, where we continue to design and manufacture KIPP components.

It was there that Heinrich Kipp Sr. invented the original adjustable handle over 60 years ago and where our dedication to quality and innovation continues to this day. As a family-owned and managed company, we are committed to continuing the KIPP tradition of excellence by delivering an ever-increasing range of dependable, high quality products.

A worldwide network of service partners ensures that no matter where our customers are located, KIPP components are close at hand.

Our North American office and distribution facility in Stevensville, Michigan, carries over 18,000 items for customers in the USA, Canada, and Mexico. Inch or metric, standard or custom, you can trust in KIPP to deliver durable, consistently available components.

Nicolas Kipp

Heinrich Kipp



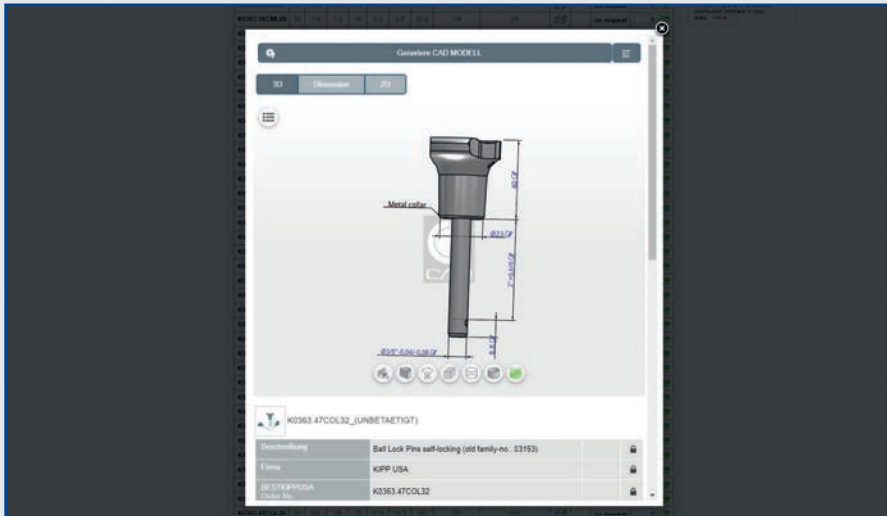
KIPP Inc, Michigan





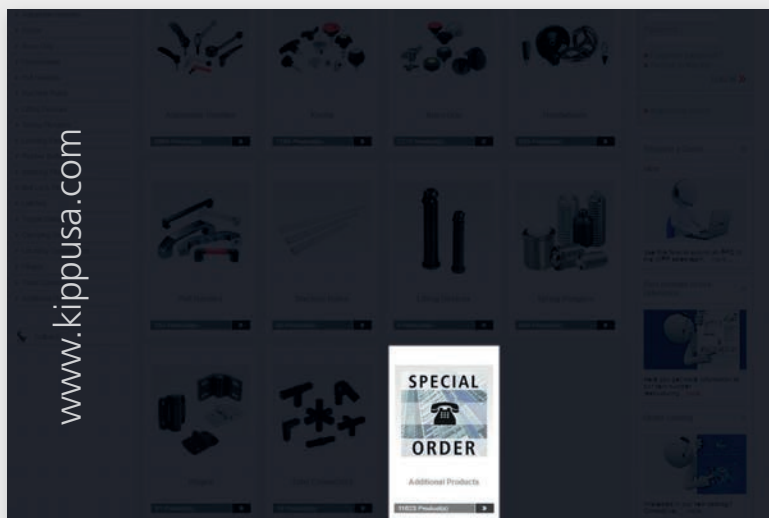
KIPP world headquarters and factory, Germany

# CAD DOWNLOAD



2D and 3D CAD data can now be downloaded directly from the selected product. Once you have registered, this service will be available to you each time you log in. Of course, it will still be possible to order the KIPP CAD library on a data medium.

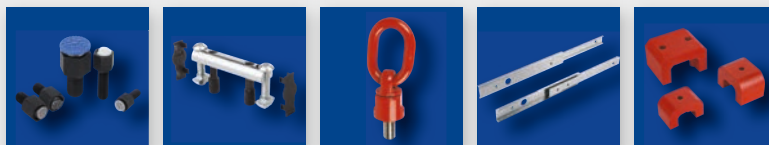
# ADDITIONAL PRODUCTS



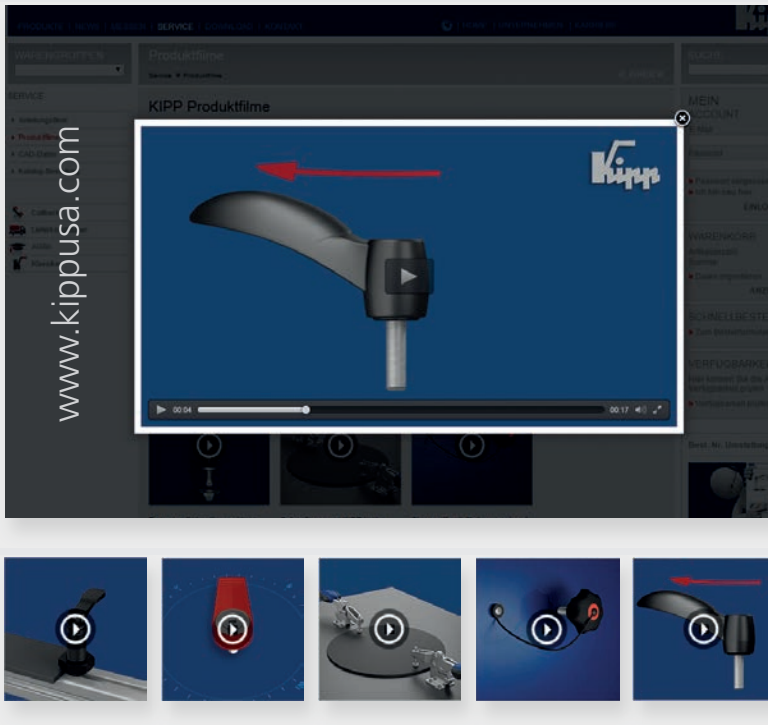
This catalog represents all of the components that are stocked at our United States warehouse in Stevensville, Michigan.

For a broader selection of specialized and hard-to-find products, visit our website at [kippusa.com](http://kippusa.com).

Browse to the "additional products/special order" section to find all of the additional items that are available by special order from our warehouse in Germany.



# PRODUCT FILMS



Our product films provide application explanations for classic KIPP products. New products are also clearly explained with a click:

- Adjustable handles
- Cam levers
- Ball lock pins
- Stop latches
- Toggle clamps
- Star grips
- Spring plungers
- Indexing plungers
- LONG-LOK thread lock
- Height adjustment bolts
- „actima“ clamping device

You can find the animations in the Catalog/Service link of our websites.

# ORDERING | DISTRIBUTORS



If you are new to KIPP, we encourage you to contact us directly for product information and recommendations on how to purchase our components. You can also visit our website for a list of our distributors in the USA, Canada, and Mexico.



# PRODUCT GROUPS



Adjustable Handles

16



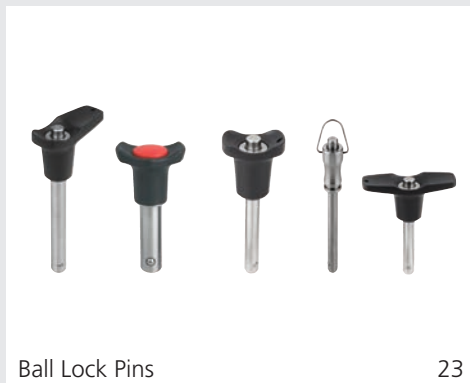
Indexing Plungers

19



Spring Plungers

21



Ball Lock Pins

23



Toggle Clamps

25



Clamping Devices

26



Knobs

27



Handwheels

29

## Material and surfaces

Besides the standard version, other materials or grades can be supplied on request.

At extra cost, different surface finishes such as matte or high-gloss chromed for steel parts, can be provided.

In addition, for plastic coatings or injection-molded plastic parts, other color variants can be supplied on request.











## RoHS

The HEINRICH KIPP WERK only supplies products that conform to RoHS directive 2011/65/EU.

## REACH

For the purposes of the 1907/2006 (EC) regulations we are a downstream user. To the best of our knowledge no materials or additives are used in our products that are listed in Amendment XVII or the SVHC list.

# OVERVIEW

 <p>Pull Handles</p>	31	 <p>Tube Connectors</p>	32	 <p>Hinges</p>	33
 <p>Rubber Buffers</p>	34	 <p>Latches</p>	34	 <p>Locating Components</p>	35
 <p>Leveling Elements</p>	36	 <p>Machine &amp; Fixture Components</p>	36	 <p><b>SPECIAL</b>  <b>ORDER</b></p>	12

## Thread versions

The threads are produced in accordance with ISO 13, "medium" tolerance class, i.e. H6 for female threads and g6 for male threads. External threads up to 60 mm are generally supplied as full thread. Screws from 70 mm long are have 60 mm long threads.

Due to surface finish refinement, threads of aluminum grips may not be true to gauge. To toughen the material most of these threads are form pressed. The pull out resistance from aluminum with M5 x 10 is here 2000N.

## A note on units and notation

All dimensions in our catalog are expressed in millimeters, except for inch based threads and holes.

We use European formatting for decimals, which uses a comma instead of a point. For example, a one-half inch hole would be noted as 0,5 instead of 0.5.

# NEW PRODUCTS



112, 121



202



246



249



252-253



255



256-257



258-259



262-263



264-265



267



322



This symbol marks new products in the product overview.

## New variants

Discover our new product offerings:  
Adjustable handle versions and grips  
for a variety of applications.  
High-quality function and design.

# OVERVIEW



322



323



363



364



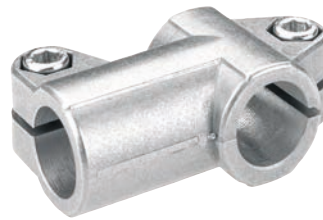
380



433



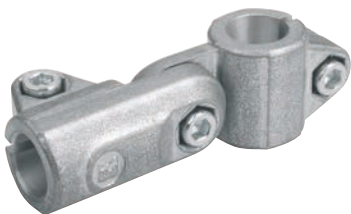
436-439



440



441-444



445



446



500

## New materials

Completely new materials enhance our innovative strength. A number of product lines have been developed by us, subjected to thorough testing and then incorporated into our portfolio.

## New elements

New standard elements, such as connectors, angles and joints for aluminum profiles, will add efficiency when it comes to building your plants and equipment.

# ADDITIONAL PRODUCTS



K0269  
Adjustable handles antistatic



K0981  
Adjustable handles ergonomic



K0129  
Tension levers flat



K0247  
Knurled knobs biopolymer



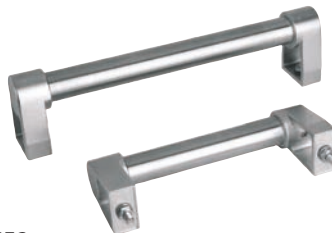
K0682  
Palm grips, plastic coated



K0688  
Star grips with extended hub



K0274  
Wing grips antistatic



K0652  
Pull Handles stainless steel



K0781  
Tubular handles carbon



K1074  
Pull handles



K0771  
Position Indicator



K0999  
Crank handles stainless steel



This symbol marks additional special order products on our website.



# OVERVIEW



K0525  
Quarter-turn locks



K1084  
Hinges stainless steel



K0742  
Swivel feet steel



K0741  
Levelling feet stainless steel for sterile areas



K0687  
Machine feet



K1371  
Spring plungers



K0537  
Telescopic slides



K0094  
Pneumatic push-pull clamps



K0754  
Eccentric clamp modules



K0284  
Self-aligning pads with o-ring



K1038  
Pin connector sets



K0773  
Weld-on D-ring

## Additional Products

This catalog represents all of the components that are stocked at our United States warehouse in Stevensville, Michigan. An even broader range of specialized and hard-to-find products is available by special order from our factory in Germany. Some popular items are shown above; for a complete listing, visit [kippusa.com](http://kippusa.com) and browse to the "additional products/special order" section.

# Item No. Index



Item No.	Page
K0005	106-109
K0006	118-119
K0020	318-319
K0043	469
K0044	470
K0045	471
K0046	472
K0047	473
K0048	474
K0049	475
K0050	476
K0051	477
K0052	478
K0087	306
K0088	307
K0098	308
K0106	308
K0108	126-129
K0109	130-133
K0114	134-135
K0116	38-41
K0117	42-45
K0118	123
K0120	46-47
K0121	48-49
K0122	50-53, 66-69
K0123	54-57, 70-73
K0124	62-65, 74-75
K0125	96-97
K0126	98-99
K0137	320
K0140	321
K0143	322
K0144	322
K0145	336-337
K0146	338-339
K0147	340-341
K0149	344-345
K0150	346-347
K0151	348-349
K0153	350-351
K0154	352-355
K0155	356-361
K0156	343
K0158	369
K0160	388-391

Item No.	Page
K0161	396-399
K0162	392-395
K0163	400-401
K0164	402-403
K0165	404-405
K0166	409
K0167	409
K0168	410
K0169	410
K0172	412
K0179	136-137
K0184	365
K0186	420
K0188	420
K0190	421
K0191	422
K0198	424
K0200	423
K0201	429
K0202	430
K0204	431-432
K0206	425
K0208	426
K0215	427
K0227	428
K0231	434-435
K0245	191
K0247	324-325
K0250	333
K0251	334-335
K0252	100-101
K0253	370-371
K0255	366-367
K0256	406
K0257	407
K0258	408
K0260	326-329
K0261	330-331
K0262	332
K0263	416-417
K0264	415
K0266	418
K0269	80-83, 88-91
K0270	84-87, 92-95
K0271	479
K0273	372-373

Item No.	Page
K0274	374-376, 378
K0292	480
K0293	481
K0298	482
K0299	483
K0304	492
K0309	192-193
K0310	196-197
K0311	202
K0313	204-205
K0314	206-207
K0315	194-195
K0316	198-199
K0317	208-211
K0318	212-213
K0319	214-215
K0320	216-217
K0321	220-221
K0322	222-223
K0323	228-229
K0324	230-231
K0325	224-225
K0326	226-227
K0327	232-233
K0328	234-235
K0329	236
K0330	237
K0333	238-239
K0334	240
K0337	242
K0338	138-145
K0339	146-147
K0340	167
K0341	176-179
K0342	180-181
K0343	154-157
K0345	182-185
K0348	168-169
K0350	484-485
K0351	486-487
K0352	488
K0354	489
K0359	186
K0360	187
K0361	188
K0362	189

# Item No. Index



Item No.	Page
K0363	250
K0364	251
K0366	266
K0367	270-271
K0368	244-247
K0369	248-249
K0383	309-310, 508
K0384	314-315, 512-513
K0384	312-313, 510-511
K0389	310, 509
K0390	316, 504
K0391	317, 506
K0392	316, 505
K0393	317, 507
K0395	490-491
K0420	493
K0435	454
K0436	458
K0439	455
K0441	456
K0442	459
K0472	436-437
K0473	438
K0474	439
K0475	440
K0477	441
K0479	442, 444
K0488	445
K0490	446
K0566	461
K0568	462
K0569	463
K0571	464
K0572	465
K0573	466
K0574	467
K0575	468
K0576	468
K0580	457
K0582	241
K0608	377
K0609	200
K0610	201
K0615	448
K0616	448
K0617	449

Item No.	Page
K0618	449
K0619	450
K0620	450
K0621	451
K0622	451
K0623	452
K0624	452
K0625	453
K0626	453
K0630	150-153
K0631	164-165
K0632	148-149
K0633	160-163
K0634	158-159
K0637	170-171
K0638	172-174
K0642	260
K0645	110-113
K0646	114-115
K0647	120-121
K0648	122
K0650	368
K0651	411
K0658	379
K0659	419
K0660	274-281
K0661	282-289
K0662	290-297
K0663	298-305
K0664	309
K0667	311, 514
K0670	494
K0671	384-387
K0683	342
K0691	499
K0692	495
K0693	496
K0694	497
K0695	498
K0724	268-269
K0725	381-383
K0729	500-501
K0735	166
K0737	76-77
K0738	78-79

Item No.	Page
K0740	413
K0743	271, 362
K0751	124-125
K0752	58-61
K0759	502-503
K0774	413
K0775	414
K0780	102
K0788	104-105
K0789	116
K0790	254-255
K0792	252-253, 256-257, 262-263
K0793	258-259, 264-265
K0795	433
K0977	218
K1099	323
K1203	380
K1216	267
K1297	363
K1298	364
K1216	262
K1297	359
K1298	360

# Image Index

## Handles and Levers



### Adjustable Handles Cam Levers Tension Levers Gear Levers

Adjustable Handles  
Classic Ball Style, Zinc,  
bolts and internal components  
in steel,  
external thread  
**K0116**



INCH  
Parts  
METRIC  
Parts  
Page 38

Adjustable Handles  
Classic Ball Style, Zinc, inserts  
and internal components steel,  
internal thread  
**K0116**



INCH  
Parts  
METRIC  
Parts  
Page 40

Adjustable Handles  
Classic Ball Style, Zinc, bolts and  
internal components in  
stainless steel,  
external thread  
**K0117**



INCH  
Parts  
METRIC  
Parts  
Page 42

Adjustable Handles  
Classic Ball Style, Zinc, inserts  
and internal components  
stainless steel,  
internal thread  
**K0117**



INCH  
Parts  
METRIC  
Parts  
Page 44

Adjustable Handles  
Classic Ball Style, Steel,  
external thread  
**K0120**



INCH  
Parts  
METRIC  
Parts  
Page 46

Adjustable Handles  
Classic Ball Style, Steel,  
internal thread  
**K0120**



INCH  
Parts  
METRIC  
Parts  
Page 47

Adjustable Handles  
Classic Ball Style,  
Stainless steel components,  
external thread  
**K0121**



INCH  
Parts  
METRIC  
Parts  
Page 48

Adjustable Handles  
Classic Ball Style,  
Stainless steel components,  
internal thread  
**K0121**



INCH  
Parts  
METRIC  
Parts  
Page 49

Adjustable Handles  
Modern Design Style, Zinc,  
bolts and internal components  
in steel,  
external thread  
**K0122**



INCH  
Parts  
METRIC  
Parts  
Page 50

Adjustable Handles  
Modern Design Style, Zinc,  
inserts and internal components  
in steel,  
internal thread  
**K0122**



INCH  
Parts  
METRIC  
Parts  
Page 52

Adjustable Handles  
Modern Design Style, Zinc,  
bolts and internal components  
in stainless steel,  
external thread  
**K0123**



INCH  
Parts  
METRIC  
Parts  
Page 54

Adjustable Handles  
Modern Design Style, Zinc,  
inserts and internal components  
stainless steel,  
internal thread  
**K0123**



INCH  
Parts  
METRIC  
Parts  
Page 56

Adjustable Handles steel  
external thread  
**K0752**



INCH  
Parts  
METRIC  
Parts  
Page 58

Adjustable Handles steel  
internal thread  
**K0752**



INCH  
Parts  
METRIC  
Parts  
Page 60

Adjustable Handles  
Modern Design Style,  
stainless steel,  
external thread  
**K0124**



INCH  
Parts  
METRIC  
Parts  
Page 62

Adjustable Handles  
Modern Design Style,  
stainless steel,  
internal thread  
**K0124**



INCH  
Parts  
METRIC  
Parts  
Page 64

Adjustable Handles with protective cap  
Modern Design Style, Zinc,  
bolts and internal components  
in steel,  
external thread  
**K0122**



INCH  
Parts  
METRIC  
Parts  
Page 66

# Image Index

## Handles and Levers



Adjustable Handles with protective cap  
Modern Design Style, Zinc, inserts  
and internal components in  
steel,  
internal thread  
**K0122**



**INCH**  
Parts

**METRIC**  
Parts

Page 68

Adjustable Handles with protective cap  
Modern Design Style, Zinc, bolts  
and internal components in  
stainless steel,  
external thread  
**K0123**



**INCH**  
Parts

**METRIC**  
Parts

Page 70

Adjustable Handles with protective cap  
Modern Design Style, Zinc, inserts  
and internal components in  
stainless steel,  
internal thread  
**K0123**



**INCH**  
Parts

**METRIC**  
Parts

Page 72

Adjustable Handles with protective cap  
Modern Design Style,  
stainless steel,  
external thread  
**K0124**



**INCH**  
Parts

**METRIC**  
Parts

Page 74

Adjustable Handles with protective cap  
Modern Design Style,  
stainless steel,  
internal thread  
**K0124**



**INCH**  
Parts

**METRIC**  
Parts

Page 75

Adjustable Handles straight  
inserts and internal components  
steel,  
external thread  
**K0737**



**INCH**  
Parts

**METRIC**  
Parts

Page 76

Adjustable Handles straight  
inserts and internal components  
steel,  
internal thread  
**K0737**



**INCH**  
Parts

**METRIC**  
Parts

Page 77

Adjustable Handles straight  
bolts and internal components  
stainless steel,  
external thread  
**K0738**



**INCH**  
Parts

**METRIC**  
Parts

Page 78

Adjustable Handles straight  
inserts and internal components  
stainless steel,  
internal thread  
**K0738**



**INCH**  
Parts

**METRIC**  
Parts

Page 79

Adjustable Handles  
Modern Design Style, plastic,  
bolts and internal components  
in steel,  
external thread  
**K0269**



**INCH**  
Parts

**METRIC**  
Parts

Page 80

Adjustable Handles  
Modern Design Style, plastic,  
inserts and internal components  
steel,  
internal thread  
**K0269**



**INCH**  
Parts

**METRIC**  
Parts

Page 82

Adjustable Handles  
Modern Design Style, plastic,  
bolts and internal components  
in stainless steel,  
external thread  
**K0270**



**INCH**  
Parts

**METRIC**  
Parts

Page 84

Adjustable Handles  
Modern Design Style, plastic,  
inserts and internal components  
in stainless steel,  
internal thread  
**K0270**



**INCH**  
Parts

**METRIC**  
Parts

Page 86

Adjustable Handles with push button  
external thread  
**K0269**



**INCH**  
Parts

**METRIC**  
Parts

Page 88

Adjustable Handles with push button  
internal thread  
**K0269**



**INCH**  
Parts

**METRIC**  
Parts

Page 90

Adjustable Handles with push button  
external thread,  
metal parts stainless steel  
**K0270**



**INCH**  
Parts

**METRIC**  
Parts

Page 92

Adjustable Handles with push button  
internal thread,  
metal parts stainless steel  
**K0270**



**INCH**  
Parts

**METRIC**  
Parts

Page 94

Adjustable Handles 2K  
soft-touch  
with external thread  
**K0125**



**INCH**  
Parts

**METRIC**  
Parts

Page 96

# Image Index



## Handles and Levers

Adjustable Handles 2K soft-touch with internal thread <b>K0125</b>		INCH Parts	METRIC Parts	Page 97
Adjustable Handles 2K soft-touch with external thread, steel parts in stainless steel <b>K0126</b>		INCH Parts	METRIC Parts	Page 98
Adjustable Handles 2K soft-touch with internal thread, steel parts in stainless steel <b>K0126</b>		INCH Parts	METRIC Parts	Page 99
Adjustable Handles ECO external thread <b>K0252</b>		INCH Parts	METRIC Parts	Page 100
Adjustable Handles ECO internal thread <b>K0252</b>		INCH Parts	METRIC Parts	Page 101
Adjustable Handles with thrust pin external thread <b>K0780</b>		METRIC Parts		Page 102
Cam Levers internal and external thread, steel <b>K0788</b>		INCH Parts	METRIC Parts	Page 104
Cam Levers with internal and external thread <b>K0005</b>		INCH Parts	METRIC Parts	Page 106-109
Cam Levers in stainless steel with internal and external thread <b>K0645</b>		INCH Parts	METRIC Parts	Page 110

Cam levers in stainless steel with internal or external thread, thrust washer entirely stainless steel <b>K0645</b>		New Item	Rost fret	INCH Parts	METRIC Parts	Page 112
Cam Levers with plastic handle with internal and external thread, steel or stainless steel <b>K0646</b>		Expanded Line		INCH Parts	METRIC Parts	Page 114
Adjustable Cam Levers external thread, steel <b>K0789</b>				INCH Parts	METRIC Parts	Page 116
Adjustable Cam Levers with external thread, steel or stainless steel <b>K0006</b>				INCH Parts	METRIC Parts	Page 118-119
Adjustable Cam Levers in stainless steel with external thread <b>K0647</b>		Expanded Line	Rost fret	INCH Parts	METRIC Parts	Page 120
Adjustable Cam Levers in stainless steel with external thread, thrust washer entirely stainless steel <b>K0647</b>		New Item	Rost fret	INCH Parts	METRIC Parts	Page 121
Adjustable Cam Levers with plastic handle with external thread, steel or stainless steel <b>K0648</b>		Expanded Line		INCH Parts	METRIC Parts	Page 122
Cam Levers expansion <b>K0118</b>				METRIC Parts		Page 123
Cam Levers with quick lock <b>K0751</b>				METRIC Parts		Page 124



# Image Index

## Handles and Levers

Adjustable Tension Levers  
external thread  
**K0108**



INCH  
Parts

METRIC  
Parts

Page 126

Adjustable Tension Levers  
internal thread  
**K0108**



INCH  
Parts

METRIC  
Parts

Page 128

Adjustable Tension Levers  
in stainless steel  
external thread  
**K0109**



INCH  
Parts

METRIC  
Parts

Page 130

Adjustable Tension Levers  
in stainless steel  
internal thread  
**K0109**



INCH  
Parts

METRIC  
Parts

Page 132

Adjustable Tension Levers  
low profile,  
external thread  
**K0114**



INCH  
Parts

METRIC  
Parts

Page 134

Adjustable Tension Levers  
low profile,  
internal thread  
**K0114**



INCH  
Parts

METRIC  
Parts

Page 135

Gear Levers  
**K0179**



INCH  
Parts

METRIC  
Parts

Page 136



## Indexing Plungers

### Indexing Plungers and Accessories

Indexing Plungers  
pull knob  
**K0338**



INCH  
Parts

Page 138

Indexing Plungers  
pull knob  
**K0338**



METRIC  
Parts

Page 140

Indexing Plungers  
pull knob  
**K0338**



INCH  
Parts

Page 142

Indexing Plungers  
pull knob  
**K0338**



METRIC  
Parts

Page 144

Indexing Plungers  
pull knob  
**K0339**



INCH  
Parts

METRIC  
Parts

Page 146

Indexing Plungers  
pull knob,  
stainless steel  
**K0632**



INCH  
Parts

METRIC  
Parts

Page 148

Indexing Plungers  
pull knob,  
with extended locking pin  
**K0630**



INCH  
Parts

Page 150

Indexing Plungers  
pull knob,  
with extended locking pin  
**K0630**



METRIC  
Parts

Page 152

# Image Index

## Indexing Plungers



Indexing Plungers  
without collar  
**K0343**



INCH  
Parts

Page 154

Indexing Plungers  
without collar  
**K0343**



METRIC  
Parts

Page 156

Indexing Plungers  
without collar,  
stainless steel  
**K0634**



INCH  
Parts

METRIC  
Parts

Page 158

Indexing Plungers  
without collar  
with extended locking pin  
**K0633**



INCH  
Parts

Page 160

Indexing Plungers  
without collar  
with extended locking pin  
**K0633**



METRIC  
Parts

Page 162

Indexing Plungers  
pull knob,  
short version  
**K0631**



INCH  
Parts

METRIC  
Parts

Page 164

Indexing Plungers  
for thin-walled parts  
**K0735**



METRIC  
Parts

Page 166

Indexing Plungers  
**K0340**



INCH  
Parts

METRIC  
Parts

Page 167

Cam Action Indexing Plungers  
**K0348**



INCH  
Parts

METRIC  
Parts

Page 168

Cam Action Indexing Plungers  
stainless steel  
**K0637**



INCH  
Parts

METRIC  
Parts

Page 170

Mounting Brackets  
aluminum  
**K0638**



METRIC  
Parts

Page 172

Mounting Brackets  
**K0638**



METRIC  
Parts

Page 174

Indexing Plungers  
threaded pin  
**K0341**



INCH  
Parts

Page 176

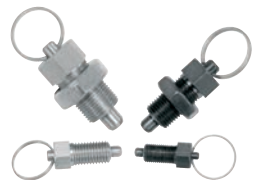
Indexing Plungers  
threaded pin  
**K0341**



METRIC  
Parts

Page 178

Indexing Plungers  
**K0342**



METRIC  
Parts

Page 180

Indexing Plungers  
without collar  
**K0345**



INCH  
Parts

Page 182

Indexing Plungers  
without collar  
**K0345**



METRIC  
Parts

Page 184

Precision Indexing Plungers  
with tapered pins  
**K0359**



METRIC  
Parts

Page 186



# Image Index

## Indexing Plungers

Tapered Bushings  
K0360



METRIC  
Parts

Page 187

Precision Indexing Plungers  
with cylindrical pins  
K0361



METRIC  
Parts

Page 188

Cylindrical Bushings  
K0362



METRIC  
Parts

Page 189

Indexing Plungers  
lock and clamp  
K0245



INCH  
Parts

METRIC  
Parts

Page 191



## Spring Plungers

### Ball and Pin Plungers Plungers with LONG LOK Push-Fit Plungers Lateral Spring Plungers

Spring Plungers  
ball style, slotted, steel  
K0309



INCH  
Parts

METRIC  
Parts

Page 192

Spring Plungers  
ball style, hexagon socket, steel  
K0315



INCH  
Parts

METRIC  
Parts

Page 194

Spring Plungers  
ball style, slotted, stainless  
steel  
K0310



INCH  
Parts

METRIC  
Parts

Page 196

Spring Plungers  
ball style, hexagon socket,  
stainless steel  
K0316



INCH  
Parts

METRIC  
Parts

Page 198

Spring Plungers  
ceramic ball, slotted,  
stainless steel  
K0609



METRIC  
Parts

Page 200

Spring Plungers  
with hexagon socket  
and ceramic ball,  
stainless steel  
K0610



METRIC  
Parts

Page 201

Spring plungers  
plastic, slotted,  
POM ball  
K0311

New Item



METRIC  
Parts

Page 202

Spring Plungers  
pin style, slotted,  
steel  
K0313



INCH  
Parts

METRIC  
Parts

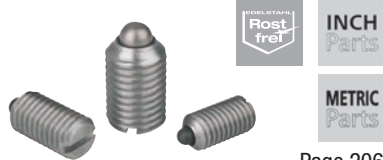
Page 204

# Image Index



## Spring Plungers

Spring Plungers  
pin style, slotted,  
stainless steel  
**K0314**



Page 206

Spring Plungers  
pin style, hexagon socket,  
steel pin  
**K0317**



Page 208

Spring Plungers  
pin style, hexagon socket,  
steel pin  
**K0317**



Page 210

Spring Plungers  
pin style, hexagon socket,  
plastic pin  
**K0318**



Page 212

Spring Plungers  
pin style, hexagon socket,  
stainless steel body and pin  
**K0319**



Page 214

Spring Plungers  
pin style, hexagon socket,  
stainless steel body  
and POM pin  
**K0320**



Page 216

Spring Plungers push-pull  
with rotation lock  
**K0977**



Page 218

Spring Plungers  
LONG-LOK, ball style, slotted,  
steel  
**K0321**



Page 220

Spring Plungers  
LONG-LOK, ball style, slotted,  
stainless steel  
**K0322**



Page 222

Spring Plungers  
LONG-LOK, ball style, hexagon  
socket, steel  
**K0325**



Page 224

Spring Plungers  
LONG-LOK, ball style,  
hexagon socket,  
stainless steel  
**K0326**



Page 226

Spring Plungers  
LONG-LOK, pin style, slotted,  
steel  
**K0323**



Page 228

Spring Plungers  
LONG-LOK, pin style, slotted,  
stainless steel  
**K0324**



Page 230

Spring Plungers  
LONG-LOK, pin style,  
hexagon socket,  
steel body and pin  
**K0327**



Page 232

Spring Plungers  
LONG-LOK, pin style,  
hexagon socket,  
steel body and POM pin  
**K0328**



Page 234

Spring Plungers  
LONG-LOK, pin style,  
hexagon socket,  
stainless steel body and pin  
**K0329**



Page 236

Spring Plungers  
LONG-LOK, pin style,  
hexagon socket,  
stainless steel body, POM pin  
**K0330**



Page 237

Spring Plungers  
push fit stainless steel  
**K0333**



Page 238

# Image Index

## Spring Plungers

Spring Plungers  
push fit extended,  
stainless steel  
**K0333**



Page 239

Spring Plungers  
push fit plastic  
**K0334**



Page 240

Spring Plungers  
push fit,  
with o-ring seal  
**K0582**



Page 241

Spring Plungers  
smooth surface,  
double-sided  
**K0337**



Page 242

Lateral Spring Plungers  
**K0368**



Page 244

Lateral Spring Plungers  
**K0368**



Page 246

Eccentric Bushings  
and assembly tools  
for lateral spring plungers  
**K0369**



Page 248

Eccentric Bushings  
and assembly tools  
for lateral  
spring plungers  
**K0369**



Page 249



## Ball Lock Pins

### Ball Lock Pins and Accessories

Ball Lock Pins  
self locking  
**K0363**



Page 250

Ball Lock Pins  
Button Head Style,  
self-locking,  
stainless steel  
**K0364**



Page 251

Ball Lock Pins  
self-locking  
**K0792**



Page 252

Ball Lock Pins  
self-locking,  
precipitation  
hardened  
**K0792**



Page 253

Ball Lock Pins  
stainless steel,  
self-locking  
**K0790**



Page 254

Ball Lock Pins  
stainless steel,  
self-locking,  
precipitation  
hardened  
**K0790**



Page 255

Ball Lock Pins  
with L-grip,  
self-locking  
**K0792**



Page 256

Ball Lock Pins  
with L-grip,  
self-locking,  
precipitation  
hardened  
**K0792**



Page 257

# Image Index



## Ball Lock Pins

Ball Lock Pins with L-grip, self-locking **K0793**    Page 258

Ball Lock Pins with L-grip, self-locking, precipitation hardened **K0793**    Page 259

Ball Lock Pins with L-grip, self-locking **K0642**   Page 260




Ball Lock Pins with T-grip, self-locking **K0792**    Page 262

Ball Lock Pins with T-grip, self-locking, precipitation hardened **K0792**    Page 263

Ball Lock Pins with T-grip, self-locking **K0793**    Page 264

Ball Lock Pins with T-grip, self-locking, precipitation hardened **K0793**    Page 265

Ball Lock Pins with T-grip, self-locking **K0366**   Page 266

Locking Pins with magnetic axial lock **K1216**    Page 267

Bushing for Ball Lock Pins **K0724**    Page 268

Bushing for Ball Lock Pins with LONG-LOK thread lock **K0724**    Page 269

Pin Retaining Rings stainless steel **K0367**    Page 270

Pin Retaining Cables with eye **K0367**   Page 270

Safety Lanyard **K0743**   Page 271, 362

Safety Spiral Cables **K0367**   Page 271



# Image Index

## Toggle Clamps



### KIPlock and KIPlock+ Toggle Clamps Heavy Duty Push-Pull Toggle Clamps Accessories

Horizontal Toggle Clamps with flat foot and adjustable clamping spindle  
**K0660**



**KIPlock**

METRIC Parts

Page 274

Horizontal Toggle Clamps with Safety Interlock with flat foot and adjustable clamping spindle  
**K0660**



**KIPlock+**

METRIC Parts

Page 276

Horizontal Toggle Clamps with flat foot and adjustable clamping spindle, stainless steel  
**K0660**



**KIPlock**

Rost frei METRIC Parts

Page 278

Horizontal Toggle Clamps with Safety Interlock with flat foot and adjustable clamping spindle, stainless steel  
**K0660**



**KIPlock+**

Rost frei METRIC Parts

Page 280

Horizontal Toggle Clamps with straight foot and adjustable clamping spindle  
**K0661**



**KIPlock**

METRIC Parts

Page 282

Horizontal Toggle Clamps with Safety Interlock with straight foot and adjustable clamping spindle  
**K0661**



**KIPlock+**

METRIC Parts

Page 284

Horizontal Toggle Clamps with straight foot and adjustable clamping spindle, stainless steel  
**K0661**



**KIPlock**

Rost frei METRIC Parts

Page 286

Horizontal Toggle Clamps with Safety Interlock with straight foot and adjustable clamping spindle, stainless steel  
**K0661**



**KIPlock+**

Rost frei METRIC Parts

Page 288

Vertical Toggle Clamps with flat foot and adjustable clamping spindle  
**K0662**



**KIPlock**

METRIC Parts

Page 290

Vertical Toggle Clamps with Safety Interlock with flat foot and adjustable clamping spindle  
**K0662**



**KIPlock+**

METRIC Parts

Page 292

Vertical Toggle Clamps with flat foot and adjustable clamping spindle, stainless steel  
**K0662**



**KIPlock**

Rost frei METRIC Parts

Page 294

Vertical Toggle Clamps with Safety Interlock with flat foot and adjustable clamping spindle, stainless steel  
**K0662**



**KIPlock+**

Rost frei METRIC Parts

Page 296

Vertical Toggle Clamps with straight foot and adjustable clamping spindle  
**K0663**



**KIPlock**

METRIC Parts

Page 298

Vertical Toggle Clamps with Safety Interlock with straight foot and adjustable clamping spindle  
**K0663**



**KIPlock+**

METRIC Parts

Page 300

Vertical Toggle Clamps with straight foot and adjustable clamping spindle, stainless steel  
**K0663**



**KIPlock**

Rost frei METRIC Parts

Page 302

Vertical Toggle Clamps with Safety Interlock with straight foot and adjustable clamping spindle, stainless steel  
**K0663**



**KIPlock+**

Rost frei METRIC Parts

Page 304

Push-Pull Clamps heavy-duty version with handle  
**K0087**



METRIC Parts

Page 306

# Image Index



## Toggle Clamps

Push-Pull Clamps  
heavy-duty version  
with reversible hand lever  
**K0088**



METRIC  
Parts

Page 307

Protective caps  
**K0106**



METRIC  
Parts

Page 308

Angle Brackets  
**K0098**



METRIC  
Parts

Page 308

Spherical Seating Nuts  
**K0664**



METRIC  
Parts

Page 309

Ball-end Thrust Screws  
without head,  
with full ball  
**K0383**



METRIC  
Parts

Page 309, 508

Ball-end Thrust Screws  
without head,  
with flattened ball  
**K0383**



METRIC  
Parts

Page 310, 508

Thrust Screws  
**K0389**



METRIC  
Parts

Page 310, 509

Thrust Screws  
stainless steel  
**K0667**



METRIC  
Parts

Page 311, 514

Ball-end thrust screws  
without head  
stainless steel  
with full ball  
**K0384**



METRIC  
Parts

Page 312, 510

Ball-end thrust screws  
without head  
stainless steel  
with flattened ball  
**K0384**



METRIC  
Parts

Page 314, 512

Grub Screws  
with thrust point  
DIN 6332  
**K0390**



METRIC  
Parts

Page 316, 504

Thrust Pads  
DIN 6311 expanded  
**K0392**



METRIC  
Parts

Page 316, 505

Grub Screws  
with ball thrust point  
**K0391**



METRIC  
Parts

Page 317, 506

Thrust Pads  
**K0393**



METRIC  
Parts

Page 317, 507

## Clamping Devices

### "Actima" Clamps and Accessories

"Actima" Clamping Devices  
**K0020**



METRIC  
Parts

Page 319

# Image Index

## Knobs



### Knurled Knobs, Mushroom Knobs Palm Grips, Star Grips Ball Knobs, Lobe Knobs Wing Grips, T-Grips

Knurled Nuts  
steel or stainless steel,  
DIN 6303  
**K0137** *Expanded Line*



**INCH Parts**  
**METRIC Parts**

Page 320

Knurled Thumb Screws  
in steel or stainless steel,  
DIN 464  
**K0140** *Expanded Line*



**INCH Parts**  
**METRIC Parts**

Page 321

Knurled Nuts High Style  
steel and stainless steel,  
DIN 466  
**K0143** *New Item*



**METRIC Parts**

Page 322

Knurled Nuts Flat  
steel and stainless steel,  
DIN 467  
**K0144** *New Item*



**METRIC Parts**

Page 322

Knurled Knobs  
aluminum  
**K1099** *New Item*



**METRIC Parts**

Page 323

Knurled Knobs  
**K0247**



**INCH Parts**  
**METRIC Parts**

Page 324

Knurled Wheels  
internal components steel  
**K0260**



**INCH Parts**

Page 326

Knurled Wheels  
internal components steel  
**K0260**



**METRIC Parts**

Page 328

Knurled Wheels  
internal components  
stainless steel  
**K0261**



**INCH Parts**  
**METRIC Parts**

Page 330

Knurled Wheels  
internal components steel,  
with revolving handle  
**K0262**



**INCH Parts**  
**METRIC Parts**

Page 332

Mushroom Knobs  
stainless steel  
**K0250** *Rostfrei*



**INCH Parts**  
**METRIC Parts**

Page 333

Mushroom Knobs  
with internal thread  
**K0251**



**INCH Parts**  
**METRIC Parts**

Page 334

Mushroom Knobs  
with external thread  
**K0251**



**INCH Parts**  
**METRIC Parts**

Page 335

Aluminum Palm Grips  
similar to DIN 6335  
**K0145**



**METRIC Parts**

Page 336

Palm Grips  
in stainless steel  
similar to DIN 6335  
**K0146** *Rostfrei*



**INCH Parts**  
**METRIC Parts**

Page 338

Palm Grips  
gray cast iron  
DIN 6335  
**K0147**



**INCH Parts**  
**METRIC Parts**

Page 340

Quick-Acting Palm Grips  
in gray cast iron  
**K0683**



**METRIC Parts**

Page 342

# Image Index



## Knobs

Quick-Acting Star Grips  
**K0156**



METRIC  
Parts

Page 343

Star Grips  
aluminum,  
similar to DIN 6336  
**K0149**



METRIC  
Parts

Page 344

Star Grips  
stainless steel  
similar to DIN 6336  
**K0150**



INCH  
Parts

METRIC  
Parts

Page 346

Star Grips  
gray cast iron  
DIN 6336  
**K0151**



INCH  
Parts

METRIC  
Parts

Page 348

Star Grips  
with protruding bushing  
**K0153**



INCH  
Parts

METRIC  
Parts

Page 350

Star Grips  
steel parts stainless steel,  
similar to DIN 6336  
**K0154**



INCH  
Parts

METRIC  
Parts

Page 352

Star Grips with Safety Lanyard  
similar to DIN 6336,  
steel parts  
in stainless steel  
**K0154**



INCH  
Parts

METRIC  
Parts

Page 354

Star Grips  
similar to DIN 6336  
**K0155**



INCH  
Parts

Page 356

Star Grips  
similar to DIN 6336  
**K0155**



METRIC  
Parts

Page 358

Star Grips with safety lanyard  
similar to DIN 6336  
**K0155**

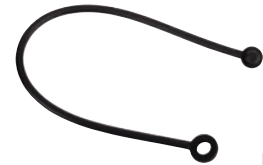


INCH  
Parts

METRIC  
Parts

Page 360

Safety Lanyard  
**K0743**



METRIC  
Parts

Page 271, 362

Five Lobe Grips  
with internal thread  
**K1297**



INCH  
Parts

METRIC  
Parts

Page 363

Five Lobe Grips  
with external thread  
**K1298**



INCH  
Parts

METRIC  
Parts

Page 364

Six Lobe Knobs  
Thermoset  
**K0184**



INCH  
Parts

METRIC  
Parts

Page 365

Five Lobe Grips  
**K0255**



INCH  
Parts

METRIC  
Parts

Page 366

Ball Knobs  
in stainless steel or aluminum,  
DIN 319  
**K0650**



INCH  
Parts

METRIC  
Parts

Page 368

Ball Knobs  
thermoplastic,  
DIN 319 enhanced  
**K0158**



METRIC  
Parts

Page 369

Ball Grips  
**K0253**



INCH  
Parts

METRIC  
Parts

Page 370



# Image Index

## Knobs

Wing Grips  
stainless steel  
**K0273**



INCH  
Parts

METRIC  
Parts

Page 372

Wing Grips  
**K0274**



INCH  
Parts

METRIC  
Parts

Page 374

Wing Grips  
with tapped through  
internal thread  
**K0274**



INCH  
Parts

METRIC  
Parts

Page 376

Wing Grips one-sided  
**K0608**



METRIC  
Parts

Page 377

Mini Wings  
**K0274**



INCH  
Parts

METRIC  
Parts

Page 378

Mini Wings  
with tapped through  
internal thread  
**K0658**



INCH  
Parts

METRIC  
Parts

Page 379

T-grips  
in stainless steel  
**K1203**

New Item



METRIC  
Parts

Page 380



## Handwheels

### Spoked Handwheels Disc Handwheels Handwheel Grips Crank Handles

Handwheels 2-spoke  
plastic  
**K0725**



INCH  
Parts

METRIC  
Parts

Page 381

Handwheels 2-spoke  
plastic,  
with revolving grip  
**K0725**



INCH  
Parts

METRIC  
Parts

Page 382

Handwheels 2-spoke  
plastic,  
with fold-down grip  
**K0725**



INCH  
Parts

METRIC  
Parts

Page 383

Handwheels  
gray cast iron  
DIN 950  
**K0671**



INCH  
Parts

Page 384

Handwheels  
gray cast iron  
DIN 950  
**K0671**



METRIC  
Parts

Page 386

Handwheels  
aluminum  
DIN 950  
**K0160**



INCH  
Parts

Page 388

Handwheels  
aluminum  
DIN 950  
**K0160**



METRIC  
Parts

Page 390

Two-Spoke Handwheels  
aluminum,  
flat rim  
**K0162**



INCH  
Parts

Page 392

# Image Index



## Handwheels

Two-Spoke Handwheels  
aluminum,  
flat rim  
**K0162**



METRIC  
Parts

Page 394

Disc Handwheels  
aluminum  
flat rim  
**K0161**



INCH  
Parts

Page 396

Disc Handwheels  
aluminum  
flat rim  
**K0161**



METRIC  
Parts

Page 398

Disc Handwheels  
aluminum  
similar to DIN 950  
**K0163**



INCH  
Parts

METRIC  
Parts

Page 400

Disc Handwheels  
Thermoset  
with revolving taper grip  
**K0164**



INCH  
Parts

METRIC  
Parts

Page 402

Disc Handwheels  
Thermoset  
without taper grip  
**K0165**



INCH  
Parts

METRIC  
Parts

Page 404

Handwheels  
without handle  
**K0256**



INCH  
Parts

METRIC  
Parts

Page 406

Handwheels  
with revolving handle  
**K0257**



INCH  
Parts

METRIC  
Parts

Page 407

Handwheels  
with fold-away handle  
**K0258**



INCH  
Parts

METRIC  
Parts

Page 408

Machine and Handwheel Handles  
fixed  
DIN 39 Style E,  
in steel  
**K0166**



METRIC  
Parts

Page 409

Machine and Handwheel Handles  
fixed  
DIN 39 Style E,  
in aluminum  
**K0167**



METRIC  
Parts

Page 409

Machine and Handwheel Handles  
revolving,  
similar to DIN 98 Style E,  
in steel  
**K0168**



METRIC  
Parts

Page 410

Machine and Handwheel Handles  
revolving  
DIN 98 Style E,  
in aluminum  
**K0169**



METRIC  
Parts

Page 410

Machine and Handwheel Handles  
Revolving Taper Grips  
**K0651**



INCH  
Parts

METRIC  
Parts

Page 411

Machine and Handwheel Handles  
fixed Taper Grips  
**K0172**



METRIC  
Parts

Page 412

Cylindrical Grips  
Revolving  
with hexagon socket  
**K0740**



METRIC  
Parts

Page 413

Cylindrical Grips  
Revolving  
**K0774**



METRIC  
Parts

Page 413

Cylindrical Grips  
fold-down  
**K0775**



METRIC  
Parts

Page 414

# Image Index



## Handwheels

Machine and Handwheel Handles  
fold-down  
**K0264**



INCH  
Parts

METRIC  
Parts

Page 415

Machine and Handwheel Handles  
revolving  
**K0263**

Expanded Line



INCH  
Parts

METRIC  
Parts

Page 416

Crank Handles  
with fold-away grip  
**K0266**



INCH  
Parts

METRIC  
Parts

Page 418

Crank Handles  
with revolving grip  
**K0659**



INCH  
Parts

METRIC  
Parts

Page 419

## Pull Handles

Cast Iron and Aluminum Handles  
Stainless Steel Handles  
Plastic Handles  
Tubular Handles

Pull Handles  
cast iron  
**K0186**



METRIC  
Parts

Page 420

Pull Handles  
Thermoset  
**K0188**



METRIC  
Parts

Page 420

Pull Handles  
thermoplastic,  
front and rear mount  
**K0190**



METRIC  
Parts

Page 421

Pull Handles  
thermoplastic  
**K0191**



METRIC  
Parts

Page 422

Pull Handles  
thermoplastic  
**K0200**



METRIC  
Parts

Page 423

Pull Handles  
stainless steel  
**K0198**



ROSTFREI  
Rost  
fret

METRIC  
Parts

Page 424

Pull Handles  
stainless steel,  
round profile  
**K0206**



ROSTFREI  
Rost  
fret

METRIC  
Parts

Page 425

Pull Handles  
stainless steel,  
rectangular profile  
**K0208**



ROSTFREI  
Rost  
fret

METRIC  
Parts

Page 426

Pull Handles  
stainless steel,  
with cover plates  
**K0215**



ROSTFREI  
Rost  
fret

METRIC  
Parts

Page 427

Pull Handles  
stainless steel,  
three-piece tube design  
**K0227**



ROSTFREI  
Rost  
fret

METRIC  
Parts

Page 428

Pull Handles  
aluminum  
**K0201**



19"

METRIC  
Parts

Page 429

Pull Handles  
aluminum  
**K0202**



19"

METRIC  
Parts

Page 430

# Image Index



## Pull Handles

Pull Handles  
aluminum  
K0204



METRIC  
Parts

Page 431

Pull Handles  
oval  
with thru hole  
K0204



METRIC  
Parts

Page 432

Tubular handles compact  
K0795



METRIC  
Parts

Page 433

Big Hand  
K0231



METRIC  
Parts

Page 435

## Tube Connectors

### Aluminum Tube Clamps Square Tube Connectors

Tube Clamps  
Cross  
aluminum  
K0472



INCH  
Parts

Page 436

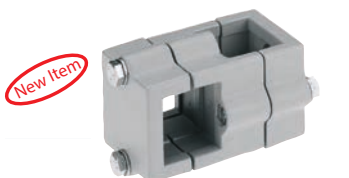
Tube Clamps  
Cross  
aluminum  
K0472



INCH  
Parts

Page 437

Tube Clamps  
Cross  
aluminum  
K0473



INCH  
Parts

Page 438

Tube Clamps  
Cross  
aluminum  
K0474

New Item



INCH  
Parts

Page 439

Tube Clamps  
T-angle  
aluminum  
K0475

New Item



INCH  
Parts

Page 440

Tube Clamps  
Base  
aluminum  
K0477

New Item



INCH  
Parts

Page 441

Tube Clamps  
Flange  
aluminum  
K0479

New Item



INCH  
Parts

Page 442

Tube Clamps  
Flange  
aluminum  
K0479

New Item

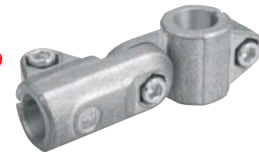


INCH  
Parts

Page 444

Tube Clamps  
Swivel  
aluminum  
K0488

New Item



INCH  
Parts

Page 445

Tube Clamps  
Swivel Base  
aluminum  
K0490

New Item



INCH  
Parts

Page 446

Square Tube Connectors  
straight  
K0615



METRIC  
Parts

Page 448

Square Tube Connectors  
two-way  
K0616



METRIC  
Parts

Page 448

# Image Index

## Tube Connectors



Square Tube Connectors  
three-way, flat  
**K0617**



METRIC  
Parts

Page 449

Square Tube Connectors  
four-way, flat  
**K0618**



METRIC  
Parts

Page 449

Square Tube Connectors  
three-way  
**K0619**



METRIC  
Parts

Page 450

Square Tube Connectors  
four-way  
**K0620**



METRIC  
Parts

Page 450

Square Tube Connectors  
five-way  
**K0621**



METRIC  
Parts

Page 451

Square Tube Connectors  
six-way  
**K0622**



METRIC  
Parts

Page 451

Square Tube Connectors  
three-way  
with tapped hole  
**K0623**



METRIC  
Parts

Page 452

Square Tube Connectors  
four-way  
with tapped hole  
**K0624**



METRIC  
Parts

Page 452

Square Tube Connectors  
two-way swivel  
**K0625**



METRIC  
Parts

Page 453

Square Tube Connectors  
three-way swivel  
**K0626**



METRIC  
Parts

Page 453

## Hinges

Plastic Hinges  
Aluminum Hinges  
Die-Cast Zinc Hinges  
Hinges with Locking Lever

Hinges  
plastic  
**K0435**



METRIC  
Parts

Page 454

Hinges  
plastic,  
detent  
**K0439**



METRIC  
Parts

Page 455

Hinges  
die-cast zinc,  
with elongated holes  
**K0441**



METRIC  
Parts

Page 456

Hinges  
aluminum  
**K0580**



METRIC  
Parts

Page 457

Hinges  
plastic,  
with locking lever  
**K0436**



METRIC  
Parts

Page 458

Hinges  
die-cast zinc,  
with locking lever  
**K0442**



METRIC  
Parts

Page 459



# Image Index

## Rubber Buffers



### Various styles for different applications

Rubber buffers  
style A  
K0566



METRIC  
Parts

Page 461

Rubber buffers  
style B  
K0568



METRIC  
Parts

Page 462

Rubber buffers  
style C  
K0569



METRIC  
Parts

Page 463

Rubber buffers  
style D  
K0571



METRIC  
Parts

Page 464

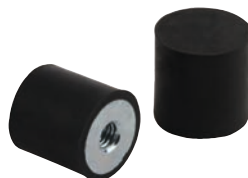
Rubber buffers  
style DS  
suction base  
K0572



METRIC  
Parts

Page 465

Rubber buffers  
style E  
K0573



METRIC  
Parts

Page 466

Rubber impact buffers  
parabolic  
K0574



METRIC  
Parts

Page 467

Rubber impact buffers  
conical  
K0575



METRIC  
Parts

Page 468

Rubber impact buffers  
spherical  
K0576



METRIC  
Parts

Page 468

## Latches

### Latches with spring clip or draw bail Adjustable Latches Heavy-duty Latches Stop Latches

Latches  
with spring clip  
K0043



METRIC  
Parts

Page 469

Latches  
with draw bail  
K0044



METRIC  
Parts

Page 470

Latches  
with draw bail  
K0045



METRIC  
Parts

Page 471

Adjustable Latches  
screw holes visible  
K0046



METRIC  
Parts

Page 472

Adjustable Latches  
screw holes covered  
K0047



METRIC  
Parts

Page 473

Adjustable Latches  
screw holes visible  
K0048



METRIC  
Parts

Page 474

# Image Index



## Latches

Adjustable Latches  
screw holes covered  
**K0049**



METRIC  
Parts

Page 475

Adjustable Latches  
with swing bail  
**K0050**



METRIC  
Parts

Page 476

Adjustable Latches  
**K0051**



METRIC  
Parts

Page 477

Adjustable Latches  
heavy-duty model  
**K0052**



METRIC  
Parts

Page 478

Stop Latches  
**K0271**



METRIC  
Parts

Page 479

## Locating Components

Rest Pads  
Locating Pins  
Positioning Pins  
Positioning Feet

Rest Pads  
**K0292**



METRIC  
Parts

Page 480

Locating Pins and Rest Pads  
DIN 6321 (Edition 1973)  
**K0293**



METRIC  
Parts

Page 481

Positioning Feet  
**K0298**



METRIC  
Parts

Page 482

Positioning Feet  
**K0299**



METRIC  
Parts

Page 483

Locating Pins  
with ball end,  
Style A  
**K0350**



METRIC  
Parts

Page 484

Locating Pins  
with flattened ball end,  
Style C  
**K0350**



METRIC  
Parts

Page 485

Locating Pins  
with ball end,  
Style B  
**K0351**



METRIC  
Parts

Page 486

Locating Pins  
with flattened ball end,  
Style D  
**K0351**



METRIC  
Parts

Page 487

Cylindrical Positioning Pins  
**K0352**



METRIC  
Parts

Page 488

Free-Milled Positioning Pins  
**K0354**



METRIC  
Parts

Page 489

# Image Index

## Leveling Elements



### Swivel Pads and Feet Machine Feet Leveling Sets Spherical Washers and Conical Seats

Swivel Feet  
K0395



INCH  
Parts

METRIC  
Parts

Page 490

Swivel Pads  
K0304



INCH  
Parts

METRIC  
Parts

Page 492

Swivel Feet  
with vibration absorption  
K0420



INCH  
Parts

METRIC  
Parts

Page 493

Machine Feet  
with vibration absorption  
K0670



METRIC  
Parts

Page 494

Leveling Sets  
K0692



METRIC  
Parts

Page 495

Leveling Sets  
with Locking Nuts  
K0693



METRIC  
Parts

Page 496

Leveling Sets  
Low Version  
K0694



METRIC  
Parts

Page 497

Leveling Sets Spherical Washer  
K0695



METRIC  
Parts

Page 498

Spherical Leveling Washers  
K0691



METRIC  
Parts

Page 499

Spherical washers  
DIN 6319, edition 10/01  
K0729

New Item



METRIC  
Parts

Page 500

## Machine and Fixture Components

### Rules Grub Screws Thrust Screws Thrust Pads

Rules  
Stainless Steel  
K0759



INCH  
Parts

METRIC  
Parts

Page 502

Grub Screws  
with thrust point,  
DIN 6332  
K0390



METRIC  
Parts

Page 316, 504

Thrust Pads  
DIN 6311 expanded  
K0392



METRIC  
Parts

Page 316, 505

Grub Screws  
with ball thrust point  
K0391



METRIC  
Parts

Page 317, 506

Thrust Pads  
K0393



METRIC  
Parts

Page 317, 507



# Image Index



## Machine and Fixture Components

Ball-end Thrust Screws  
without head,  
with flattened ball  
**K0383**



METRIC  
Parts

Page 310, 508

Ball-end Thrust Screws  
without head,  
with full ball  
**K0383**



METRIC  
Parts

Page 309, 508

Thrust Screws  
**K0389**



METRIC  
Parts

Page 310, 509

Ball-end thrust screws  
without head  
stainless steel  
with full ball  
**K0384**



METRIC  
Parts

Page 312, 510

Ball-end thrust screws  
without head  
stainless steel  
with flattened ball  
**K0384**



METRIC  
Parts

Page 314, 512

Thrust Screws  
stainless steel  
**K0667**



METRIC  
Parts

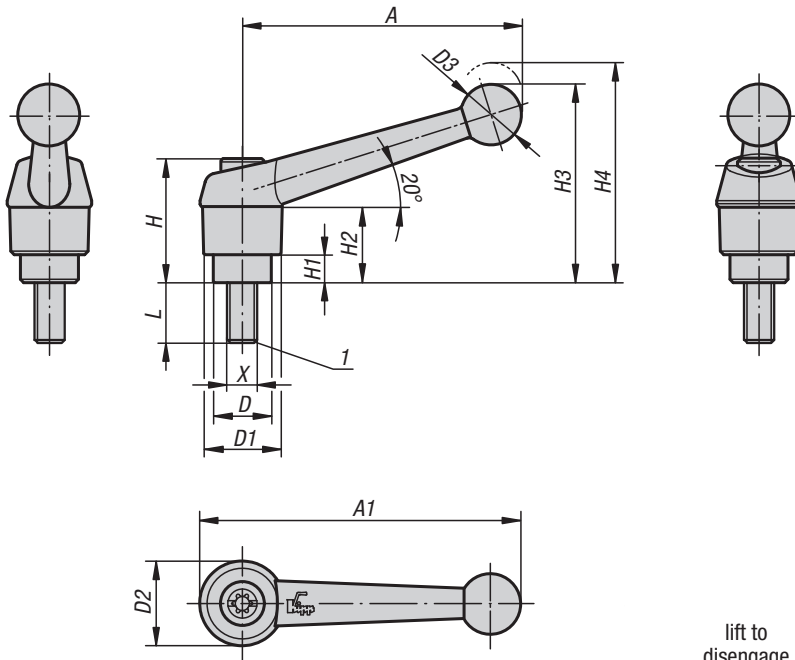
Page 311, 514

## Adjustable Handles

Classic Ball Style, Zinc, bolts and internal components in steel, external thread



INCH Parts    METRIC Parts



**Material:**

Handle die-cast zinc DIN EN 12844.  
Steel parts quality class 5.8.

**Type:**

Handle powder-coated.  
Steel parts black oxide finish.

**Part Number Example:**

K0116.1A01X10  
(include length L)

**Note:**

For the inch series, dimension X is in inches, all other dimensions are in mm.  
Standard colors are:  
black satin finish, silver metallic.  
Where  $L \geq 60$  mm the thread length is always 60 mm.

**On request:**

Other threads, screw lengths, colors and special versions.  
Dimension "H1" available in other lengths at an additional charge.

**Drawing reference:**

1) flat point DIN 78

### KIPP Specifications

Size	X	D	D1	D2	D3	H	H1	H2	H3	H4	A	A1	No. of teeth
1	10-24 / M5	10	13	14	10,5	24,5	4	15	32,5	35,5	39	46	16
1	10-32	10	13	14	10,5	24,5	4	15	32,5	35,5	39	46	16
1	1/4-20 / M6	10	13	14	10,5	24,5	4	15	32,5	35,5	39	46	16
2	1/4-20 / M6	13,5	18	18,5	15,5	28,5	6,5	16,5	45,5	49,5	64	73	20
2	5/16-18 / M8	13,5	18	18,5	15,5	28,5	6,5	16,5	45,5	49,5	64	73	20
2	3/8-16 / M10	13,5	18	18,5	15,5	28,5	6,5	16,5	45,5	49,5	64	73	20
3	5/16-18 / M8	16	21	22	17	37	10	23	57,5	61,5	79	90	22
3	3/8-16 / M10	16	21	22	17	37	10	23	57,5	61,5	79	90	22
4	3/8-16 / M10	19	25	26	19	42,5	10	26	67	72	95	108	24
4	1/2-13 / M12	19	25	26	19	42,5	10	26	67	72	95	108	24
5	1/2-13 / M12	23	30	31	22	49	12	32	79	84	110	126	26
5	5/8-11 / M16	23	30	31	22	49	12	32	79	84	110	126	26

# Adjustable Handles

Classic Ball Style, Zinc, bolts and internal components in steel, external thread



## KIPP Adjustable Handles, Classic Ball Style, Zinc, with external thread, components in steel, inch

Item No. black	Item No. silver metallic	Size	X	L
K0116.1A01X	K0116.1A03X	1	10-24	10/15/20/25/30/35/40/45/50
K0116.1A11X	K0116.1A13X	1	10-32	10/15/20/25/30/35/40/45/50
K0116.1A21X	K0116.1A23X	1	1/4-20	10/15/20/25/30/35/40/45/50
K0116.2A21X	K0116.2A23X	2	1/4-20	15/20/25/30/35/40/45/50/55/60
K0116.2A31X	K0116.2A33X	2	5/16-18	15/20/25/30/35/40/45/50/55/60
K0116.2A41X	K0116.2A43X	2	3/8-16	15/20/25/30/35/40/45/50/55/60
K0116.3A31X	K0116.3A33X	3	5/16-18	15/20/25/30/35/40/45/50/55/60
K0116.3A41X	K0116.3A43X	3	3/8-16	15/20/25/30/35/40/45/50/55/60
K0116.4A41X	K0116.4A43X	4	3/8-16	20/25/30/35/40/45/50/55/60/70/80/90
K0116.4A51X	K0116.4A53X	4	1/2-13	20/25/30/35/40/45/50/55/60/70/80/90
K0116.5A51X	K0116.5A53X	5	1/2-13	25/30/35/40/45/50/55/60/70/80/90
K0116.5A61X	K0116.5A63X	5	5/8-11	25/30/35/40/45/50/55/60/70/80/90

## KIPP Adjustable Handles, Classic Ball Style, Zinc, with external thread, components in steel, metric

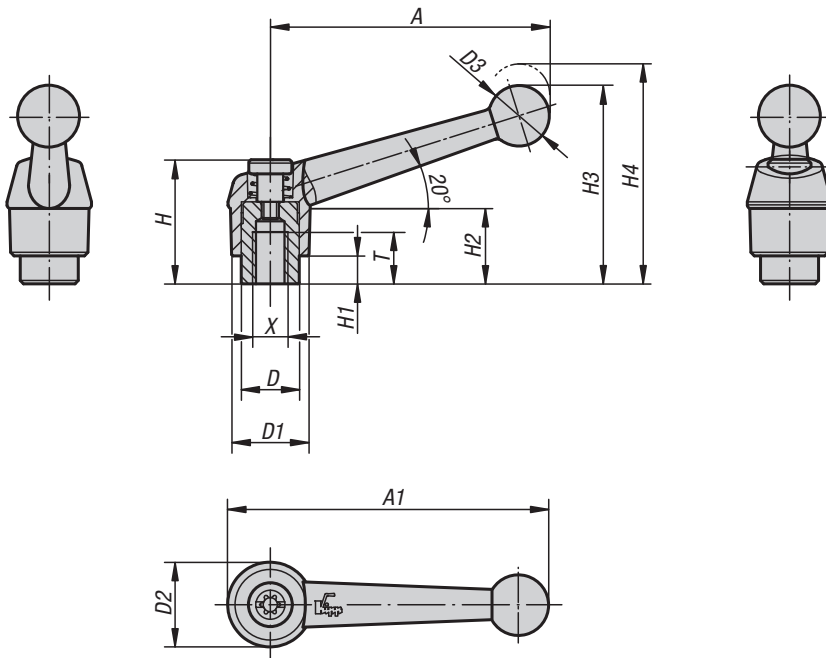
Item No. black	Item No. silver metallic	Size	X	L
K0116.1051X	K0116.1053X	1	M5	10/15/20/25/30/35/40/45/50
K0116.1061X	K0116.1063X	1	M6	10/15/20/25/30/35/40/45/50
K0116.2061X	K0116.2063X	2	M6	15/20/25/30/35/40/45/50/55/60
K0116.2081X	K0116.2083X	2	M8	15/20/25/30/35/40/45/50/55/60
K0116.2101X	K0116.2103X	2	M10	15/20/25/30/35/40/45/50/55/60
K0116.3081X	K0116.3083X	3	M8	15/20/25/30/35/40/45/50/55/60
K0116.3101X	K0116.3103X	3	M10	15/20/25/30/35/40/45/50/55/60
K0116.4101X	K0116.4103X	4	M10	20/25/30/35/40/45/50/55/60/70/80/90
K0116.4121X	K0116.4123X	4	M12	20/25/30/35/40/45/50/55/60/70/80/90
K0116.5121X	K0116.5123X	5	M12	25/30/35/40/45/50/55/60/70/80/90
K0116.5161X	K0116.5163X	5	M16	25/30/35/40/45/50/55/60/70/80/90

## Adjustable Handles

Classic Ball Style, Zinc, inserts and internal components steel, internal thread



INCH Parts  
METRIC Parts



**Material:**

Handle die-cast zinc DIN EN 12844.  
Steel parts quality class 5.8.

**Type:**

Handle powder-coated.  
Steel parts black oxide finish.

**Part Number Example:**

K0116.1AE1

**Note:**

For the inch series, dimension X is in inches, all other dimensions are in mm.  
Standard colors are:  
black satin finish, silver metallic.

**On request:**

Other threads, colors and special versions.  
Dimension "H1" available in other lengths at an additional charge.



# Adjustable Handles

Classic Ball Style, Zinc, inserts and internal components steel, internal thread



## KIPP Adjustable Handles, Classic Ball Style, Zinc, with internal thread, components in steel, inch

Item No. black	Item No. silver metallic	X	A	A1	T	D	D1	D2	D3	H	H1	H2	H3	H4	No. of teeth
K0116.1AE1	K0116.1AE3	8-32	39	46	9	10	13	14	10,5	24,5	4	15	32,5	35,5	16
K0116.1A01	K0116.1A03	10-24	39	46	9	10	13	14	10,5	24,5	4	15	32,5	35,5	16
K0116.1A11	K0116.1A13	10-32	39	46	9	10	13	14	10,5	24,5	4	15	32,5	35,5	16
K0116.1A21	K0116.1A23	1/4-20	39	46	9	10	13	14	10,5	24,5	4	15	32,5	35,5	16
K0116.2A21	K0116.2A23	1/4-20	64	73	12	13,5	18	18,5	15,5	28,5	6,5	16,5	45,5	49,5	20
K0116.2A31	K0116.2A33	5/16-18	64	73	12	13,5	18	18,5	15,5	28,5	6,5	16,5	45,5	49,5	20
K0116.3A31	K0116.3A33	5/16-18	79	90	14	16	21	22	17	37	10	23	57,5	61,5	22
K0116.3A41	K0116.3A43	3/8-16	79	90	14	16	21	22	17	37	10	23	57,5	61,5	22
K0116.4A41	K0116.4A43	3/8-16	95	108	17	19	25	26	19	42,5	10	26	67	72	24
K0116.4A51	K0116.4A53	1/2-13	95	108	17	19	25	26	19	42,5	10	26	67	72	24
K0116.5A51	K0116.5A53	1/2-13	110	126	23	23	30	31	22	49	12	32	79	84	26
K0116.5A61	K0116.5A63	5/8-11	110	126	23	23	30	31	22	49	12	32	79	84	26

## KIPP Adjustable Handles, Classic Ball Style, Zinc, with internal thread, components in steel, metric

Item No. black	Item No. silver metallic	X	A	A1	T	D	D1	D2	D3	H	H1	H2	H3	H4	No. of teeth
K0116.1041	K0116.1043	M4	39	46	9	10	13	14	10,5	24,5	4	15	32,5	35,5	16
K0116.1051	K0116.1053	M5	39	46	9	10	13	14	10,5	24,5	4	15	32,5	35,5	16
K0116.1061	K0116.1063	M6	39	46	9	10	13	14	10,5	24,5	4	15	32,5	35,5	16
K0116.2061	K0116.2063	M6	64	73	12	13,5	18	18,5	15,5	28,5	6,5	16,5	45,5	49,5	20
K0116.2081	K0116.2083	M8	64	73	12	13,5	18	18,5	15,5	28,5	6,5	16,5	45,5	49,5	20
K0116.3081	K0116.3083	M8	79	90	14	16	21	22	17	37	10	23	57,5	61,5	22
K0116.3101	K0116.3103	M10	79	90	14	16	21	22	17	37	10	23	57,5	61,5	22
K0116.4101	K0116.4103	M10	95	108	17	19	25	26	19	42,5	10	26	67	72	24
K0116.4121	K0116.4123	M12	95	108	17	19	25	26	19	42,5	10	26	67	72	24
K0116.5121	K0116.5123	M12	110	126	23	23	30	31	22	49	12	32	79	84	26
K0116.5161	K0116.5163	M16	110	126	23	23	30	31	22	49	12	32	79	84	26

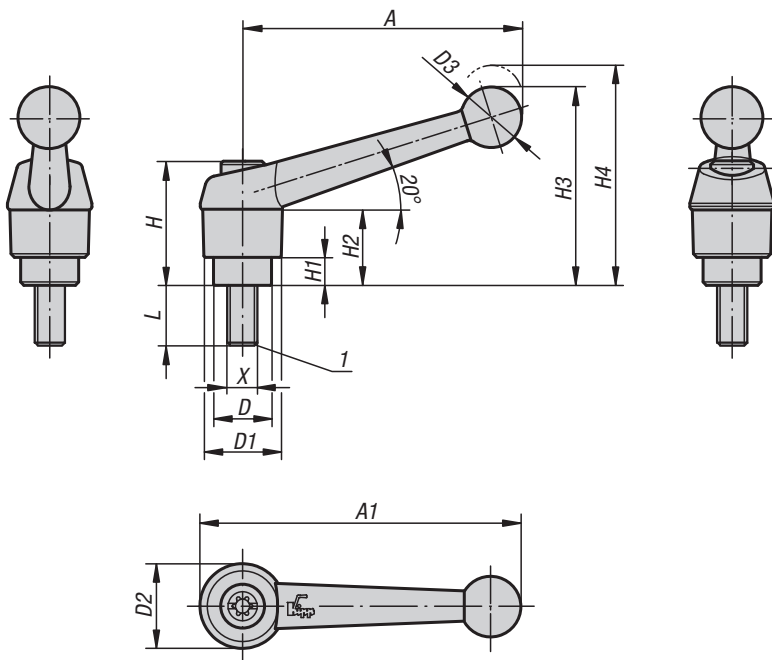


## Adjustable Handles

Classic Ball Style, Zinc, bolts and internal components in stainless steel, external thread



INCH Parts  
METRIC Parts



**Material:**

Handle die-cast zinc DIN EN 12844.  
Steel parts stainless steel 1.4305 (AISI 303 equivalent).

**Type:**

Handle powder-coated.  
Stainless steel parts bright.

**Part Number Example:**

K0117.1A01X15  
(include length L)

**Note:**

For the inch series, dimension X is in inches, all other dimensions are in mm.

Standard colors are:  
black satin finish, silver metallic.

Where  $L \geq 60$  mm the thread length is always 60 mm.

**On request:**

Other external threads, screw lengths, colors and special versions.

Dimension "H1" can be produced in other lengths at an additional charge.

**Drawing reference:**

1) flat point DIN 78

lift to  
disengage



### KIPP Specifications

Size	X	D	D1	D2	D3	H	H1	H2	H3	H4	A	A1	No. of teeth
1	10-24 / M5	10	13	14	10,5	24,5	4	15	32,5	35,5	39	46	16
1	10-32	10	13	14	10,5	24,5	4	15	32,5	35,5	39	46	16
1	1/4-20 / M6	10	13	14	10,5	24,5	4	15	32,5	35,5	39	46	16
2	1/4-20 / M6	13,5	18	18,5	15,5	28,5	6,5	16,5	45,5	49,5	64	73	20
2	5/16-18 / M8	13,5	18	18,5	15,5	28,5	6,5	16,5	45,5	49,5	64	73	20
2	3/8-16 / M10	13,5	18	18,5	15,5	28,5	6,5	16,5	45,5	49,5	64	73	20
3	5/16-18 / M8	16	21	22	17	37	10	23	57,5	61,5	79	90	22
3	3/8-16 / M10	16	21	22	17	37	10	23	57,5	61,5	79	90	22
4	1/2-13 / M12	19	25	26	19	42,5	10	26	67	72	95	108	24
5	5/8-11 / M16	23	30	31	22	49	12	32	79	84	110	126	26

# Adjustable Handles

Classic Ball Style, Zinc, bolts and internal components in stainless steel, external thread



## KIPP Adjustable Handles, Classic Ball Style, Zinc, with external thread, components in stainless steel, inch

Item No. black	Item No. silver metallic	Size	X	L
K0117.1A01X	K0117.1A03X	1	10-24	15/20/25
K0117.1A11X	K0117.1A13X	1	10-32	15/20/25
K0117.1A21X	K0117.1A23X	1	1/4-20	10/15/20/25/30/40/50
K0117.2A21X	K0117.2A23X	2	1/4-20	15/20/25/30/40/50/60
K0117.2A31X	K0117.2A33X	2	5/16-18	15/20/25/30/40/50/60
K0117.2A41X	K0117.2A43X	2	3/8-16	20/25/30/40/50/60
K0117.3A31X	K0117.3A33X	3	5/16-18	20/25/30/40/50/60
K0117.3A41X	K0117.3A43X	3	3/8-16	20/25/30/40/50/60
K0117.4A51X	K0117.4A53X	4	1/2-13	25/30/40/50/60
K0117.5A61X	K0117.5A63X	5	5/8-11	30/40/50/60

## KIPP Adjustable Handles, Classic Ball Style, Zinc, with external thread, components in stainless steel, metric

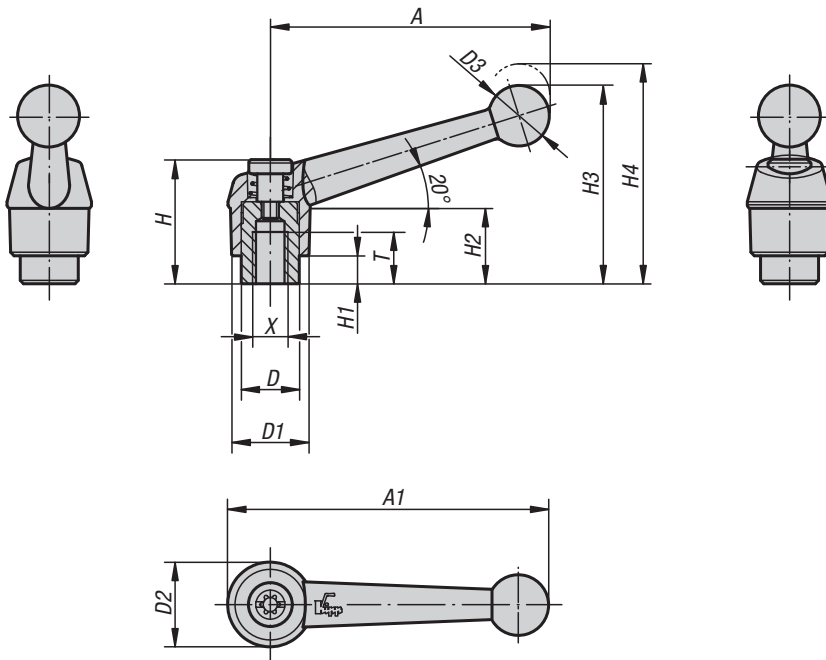
Item No. black	Item No. silver metallic	Size	X	L
K0117.1051X	K0117.1053X	1	M5	10/15/20/25
K0117.1061X	K0117.1063X	1	M6	10/15/20/25/30/40/50
K0117.2061X	K0117.2063X	2	M6	15/20/25/30/40/50/60
K0117.2081X	K0117.2083X	2	M8	15/20/25/30/40/50/60
K0117.2101X	K0117.2103X	2	M10	20/25/30/40/50/60
K0117.3081X	K0117.3083X	3	M8	20/25/30/40/50/60
K0117.3101X	K0117.3103X	3	M10	20/25/30/40/50/60
K0117.4121X	K0117.4123X	4	M12	25/30/40/50/60
K0117.5161X	K0117.5163X	5	M16	30/40/50/60

# Adjustable Handles

Classic Ball Style, Zinc, inserts and internal components stainless steel, internal thread



INCH Parts  
METRIC Parts



**Material:**

Handle die-cast zinc DIN EN 12844.  
Steel parts stainless steel 1.4305 (AISI 303 equivalent).

**Type:**

Handle powder-coated.  
Stainless steel parts bright.

**Part Number Example:**

K0117.1A01

**Note:**

For the inch series, dimension X is in inches, all other dimensions are in mm.  
Standard colors are:  
black satin finish, silver metallic.

**On request:**

Other threads, colors and special versions.  
Dimension "H1" can be produced in other lengths at an additional charge.



# Adjustable Handles

Classic Ball Style, Zinc, inserts and internal components stainless steel, internal thread



## KIPP Adjustable Handles, Classic Ball Style, Zinc, with internal thread, components in stainless steel, inch

Item No. black	Item No. silver metallic	X	A	A1	T	D	D1	D2	D3	H	H1	H2	H3	H4	No. of teeth
K0117.1A01	K0117.1A03	10-24	39	46	9	10	13	14	10,5	24,5	4	15	32,5	35,5	16
K0117.1A11	K0117.1A13	10-32	39	46	9	10	13	14	10,5	24,5	4	15	32,5	35,5	16
K0117.1A21	K0117.1A23	1/4-20	39	46	9	10	13	14	10,5	24,5	4	15	32,5	35,5	16
K0117.2A21	K0117.2A23	1/4-20	64	73	12	13,5	18	18,5	15,5	28,5	6,5	16,5	45,5	49,5	20
K0117.2A31	K0117.2A33	5/16-18	64	73	12	13,5	18	18,5	15,5	28,5	6,5	16,5	45,5	49,5	20
K0117.3A31	K0117.3A33	5/16-18	79	90	14	16	21	22	17	37	10	23	57,5	61,5	22
K0117.3A41	K0117.3A43	3/8-16	79	90	14	16	21	22	17	37	10	23	57,5	61,5	22
K0117.4A41	K0117.4A43	3/8-16	95	108	17	19	25	26	19	42,5	10	26	67	72	24
K0117.4A51	K0117.4A53	1/2-13	95	108	17	19	25	26	19	42,5	10	26	67	72	24
K0117.5A51	K0117.5A53	1/2-13	110	126	23	23	30	31	22	49	12	32	79	84	26
K0117.5A61	K0117.5A63	5/8-11	110	126	23	23	30	31	22	49	12	32	79	84	26

## KIPP Adjustable Handles, Classic Ball Style, Zinc, with internal thread, components in stainless steel, metric

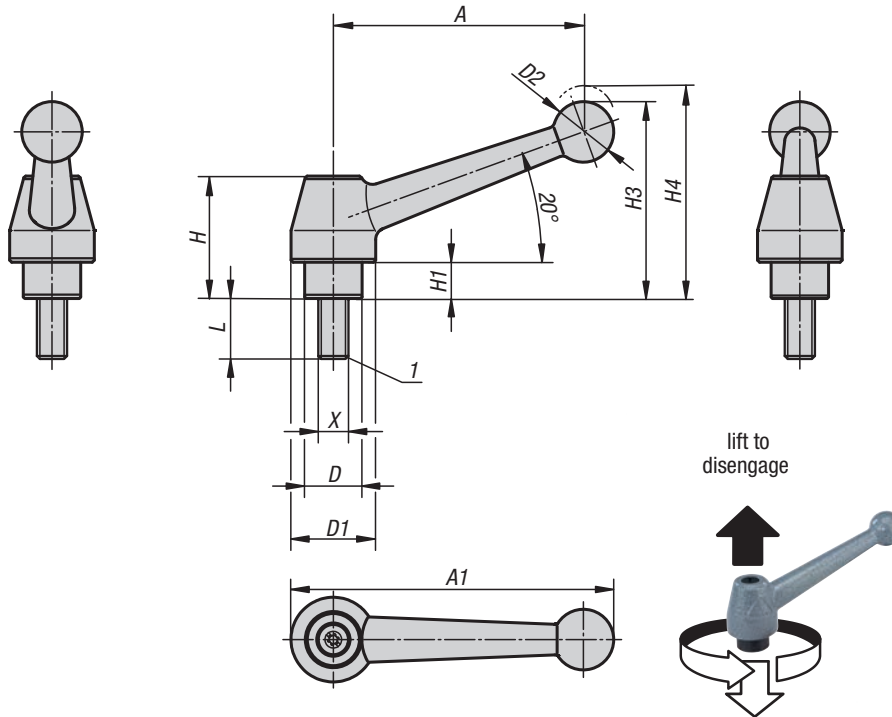
Item No. black	Item No. silver metallic	X	A	A1	T	D	D1	D2	D3	H	H1	H2	H3	H4	No. of teeth
K0117.1041	K0117.1043	M4	39	46	9	10	13	14	10,5	24,5	4	15	32,5	35,5	16
K0117.1051	K0117.1053	M5	39	46	9	10	13	14	10,5	24,5	4	15	32,5	35,5	16
K0117.1061	K0117.1063	M6	39	46	9	10	13	14	10,5	24,5	4	15	32,5	35,5	16
K0117.2061	K0117.2063	M6	64	73	12	13,5	18	18,5	15,5	28,5	6,5	16,5	45,5	49,5	20
K0117.2081	K0117.2083	M8	64	73	12	13,5	18	18,5	15,5	28,5	6,5	16,5	45,5	49,5	20
K0117.3081	K0117.3083	M8	79	90	14	16	21	22	17	37	10	23	57,5	61,5	22
K0117.3101	K0117.3103	M10	79	90	14	16	21	22	17	37	10	23	57,5	61,5	22
K0117.4101	K0117.4103	M10	95	108	17	19	25	26	19	42,5	10	26	67	72	24
K0117.4121	K0117.4123	M12	95	108	17	19	25	26	19	42,5	10	26	67	72	24
K0117.5121	K0117.5123	M12	110	126	23	23	30	31	22	49	12	32	79	84	26
K0117.5161	K0117.5163	M16	110	126	23	23	30	31	22	49	12	32	79	84	26

## Adjustable Handles

Classic Ball Style, Steel, external thread



INCH Parts    METRIC Parts



**Material:**

Handle steel 1.0401.  
All other steel parts quality class 5.8.

**Type:**

Handle painted silver-gray with hammer-tone finish.  
Steel parts black oxide finish.

**Part Number Example:**

K0120.1A4X20  
(include length L)

**Note:**

For the inch series, dimension X is in inches, all other dimensions are in mm.  
Where L ≥ 60 mm the thread length is always 60 mm.

**On request:**

Other threads, screw lengths and special versions.  
Dimension "H1" available in other lengths at an additional charge.

**Drawing reference:**

1) flat point DIN 78

### KIPP Adjustable Handles, Classic Ball Style, with external thread, inch

Item No.	Main material	X	A	A1	D	D1	D2	H	H1	H3	H4	No. of teeth	L
K0120.1A4X	steel	3/8-16	83	107	19	28	20	40,5	12	65	68,5	24	20/30/40/45/50/60
K0120.1A5X	steel	1/2-13	83	107	19	28	20	40,5	12	65	68,5	24	20/30/40/45/50/60
K0120.2A5X	steel	1/2-13	108	138	23	35	25	51,5	12	79,5	84	26	25/30/40/45/50/60
K0120.2A6X	steel	5/8-11	108	138	23	35	25	51,5	12	79,5	84	26	25/30/40/45/50/60
K0120.3A6X	steel	5/8-11	132	168	30	43	30	60	12	93	97,5	36	30/40/50/60
K0120.3A7X	steel	3/4-10	132	168	30	43	30	60	12	93	97,5	36	30/40/50/60

### KIPP Adjustable Handles, Classic Ball Style, with external thread, metric

Item No.	Main material	X	A	A1	D	D1	D2	H	H1	H3	H4	No. of teeth	L
K0120.110X	steel	M10	83	107	19	28	20	40,5	12	65	68,5	24	20/25/30/35/40/45/50/55/60/70/80/90
K0120.112X	steel	M12	83	107	19	28	20	40,5	12	65	68,5	24	20/25/30/35/40/45/50/55/60/70/80/90
K0120.212X	steel	M12	108	138	23	35	25	51,5	12	79,5	84	26	25/30/35/40/45/50/55/60/70/80/90
K0120.216X	steel	M16	108	138	23	35	25	51,5	12	79,5	84	26	25/30/35/40/45/50/55/60/70/80/90
K0120.316X	steel	M16	132	168	30	43	30	60	12	93	97,5	36	30/40/50/60/70/80/90
K0120.320X	steel	M20	132	168	30	43	30	60	12	93	97,5	36	30/40/50/60/70/80/90

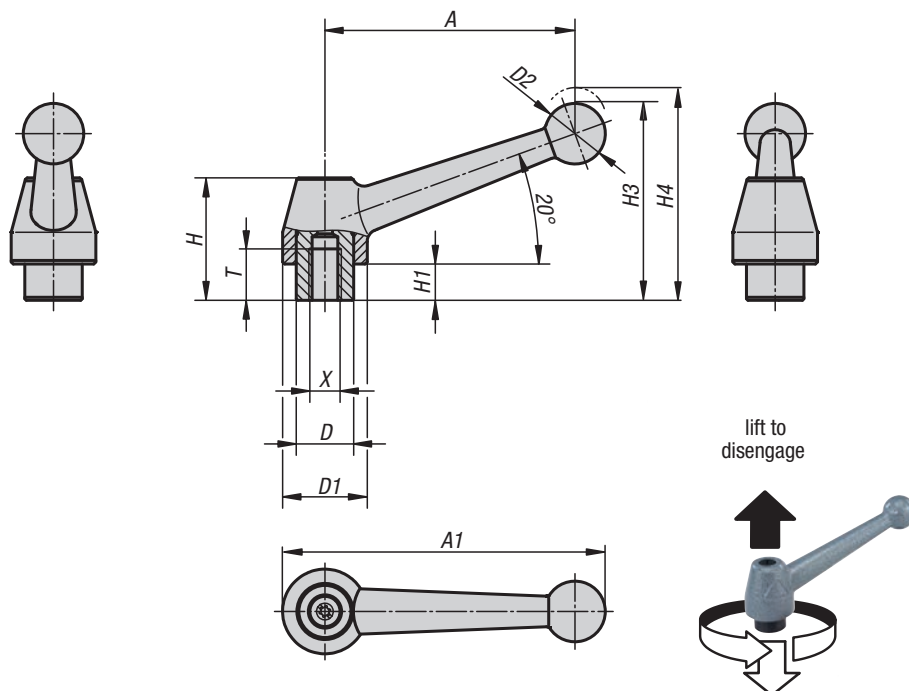


## Adjustable Handles

Classic Ball Style, Steel, internal thread



INCH Parts  
METRIC Parts



**Material:**

Handle steel 1.0401.  
All other steel parts quality class 5.8.

**Type:**

Handle painted silver-gray with hammer-tone finish.  
Steel parts black oxide finish.

**Part Number Example:**

K0120.1A3

**Note:**

For the inch series, dimension X is in inches, all other dimensions are in mm.

**On request:**

Other threads and special versions.  
Dimension "H1" available in other lengths at an additional charge.

**KIPP Adjustable Handles, Classic Ball Style, with internal thread, inch**

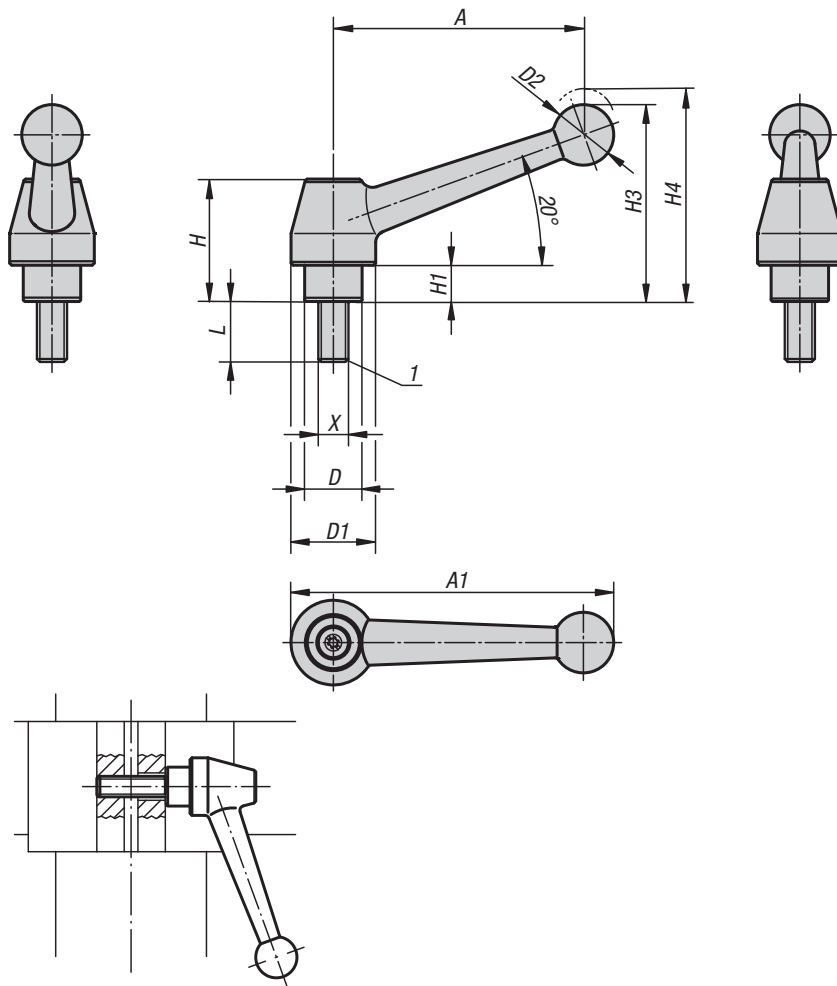
Item No.	Main material	X	A	A1	T	D	D1	D2	H	H1	H3	H4	No. of teeth
K0120.1A3	steel	5/16-18	83	107	17	19	28	20	40,5	12	65	68,5	24
K0120.1A4	steel	3/8-16	83	107	17	19	28	20	40,5	12	65	68,5	24
K0120.1A5	steel	1/2-13	83	107	17	19	28	20	40,5	12	65	68,5	24
K0120.2A5	steel	1/2-13	108	138	23	23	35	25	51,5	12	79,5	84	26
K0120.2A6	steel	5/8-11	108	138	23	23	35	25	51,5	12	79,5	84	26
K0120.3A6	steel	5/8-11	132	168	27	30	43	30	60	12	93	97,5	36
K0120.3A7	steel	3/4-10	132	168	27	30	43	30	60	12	93	97,5	36

**KIPP Adjustable Handles, Classic Ball Style, with internal thread, metric**

Item No.	Main material	X	A	A1	T	D	D1	D2	H	H1	H3	H4	No. of teeth
K0120.108	steel	M8	83	107	17	19	28	20	40,5	12	65	68,5	24
K0120.110	steel	M10	83	107	17	19	28	20	40,5	12	65	68,5	24
K0120.112	steel	M12	83	107	17	19	28	20	40,5	12	65	68,5	24
K0120.212	steel	M12	108	138	23	23	35	25	51,5	12	79,5	84	26
K0120.216	steel	M16	108	138	23	23	35	25	51,5	12	79,5	84	26
K0120.316	steel	M16	132	168	27	30	43	30	60	12	93	97,5	36
K0120.320	steel	M20	132	168	27	30	43	30	60	12	93	97,5	36

## Adjustable Handles

Classic Ball Style, Stainless steel components, external thread



**Material:**

Handle stainless steel 1.4308 (AISI "316" equivalent).  
All other stainless steel parts 1.4305 (AISI 303 equivalent).

**Type:**

Stainless steel handle electropolished.  
Stainless steel parts bright.

**Part Number Example:**

K0121.11A4X20  
(include length L)

**Note:**

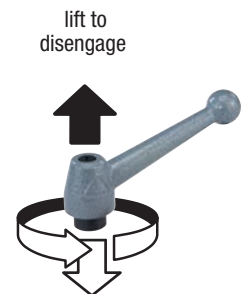
For the inch series, dimension X is in inches, all other dimensions are in mm.

**On request:**

Other threads, screw lengths and special versions.  
Dimension "H1" available in other lengths at an additional charge.

**Drawing reference:**

1) flat point DIN 78



**KIPP Adjustable Handles, Classic Ball Style, with external thread, inch**

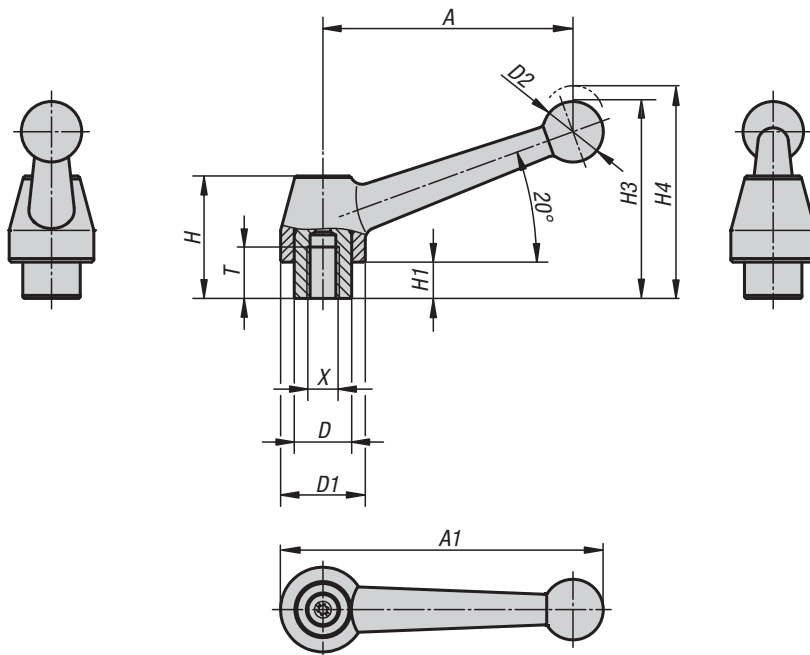
Item No.	Main material	X	A	A1	D	D1	D2	H	H1	H3	H4	No. of teeth	L
K0121.11A4X	stainless steel	3/8-16	83	107	19	28	20	40,5	12	65	68,5	24	20/30/40/45/50/60
K0121.11A5X	stainless steel	1/2-13	83	107	19	28	20	40,5	12	65	68,5	24	20/30/40/45/50/60

**KIPP Adjustable Handles, Classic Ball Style, with external thread, metric**

Item No.	Main material	X	A	A1	D	D1	D2	H	H1	H3	H4	No. of teeth	L
K0121.1110X	stainless steel	M10	83	107	19	28	20	40,5	12	65	68,5	24	25/30/40/50/60
K0121.1112X	stainless steel	M12	83	107	19	28	20	40,5	12	65	68,5	24	25/30/40/50/60

## Adjustable Handles

Classic Ball Style, Stainless steel components, internal thread



**Material:**

Handle stainless steel 1.4308 (AISI "316" equivalent).  
All other stainless steel parts 1.4305 (AISI 303 equivalent).

**Type:**

Stainless steel handle electropolished.  
Stainless steel parts bright.

**Part Number Example:**

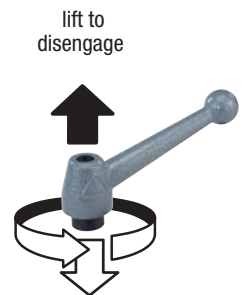
K0121.11A3

**Note:**

For the inch series, dimension X is in inches, all other dimensions are in mm.

**On request:**

Other threads and special versions.  
Dimension "H1" available in other lengths at an additional charge.



**KIPP Adjustable Handles, Classic Ball Style, with internal thread, inch**

Item No.	Main material	X	A	A1	T	D	D1	D2	H	H1	H3	H4	No. of teeth
K0121.11A3	stainless steel	5/16-18	83	107	17	19	28	20	40,5	12	65	68,5	24
K0121.11A4	stainless steel	3/8-16	83	107	17	19	28	20	40,5	12	65	68,5	24
K0121.11A5	stainless steel	1/2-13	83	107	17	19	28	20	40,5	12	65	68,5	24

**KIPP Adjustable Handles, Classic Ball Style, with internal thread, metric**

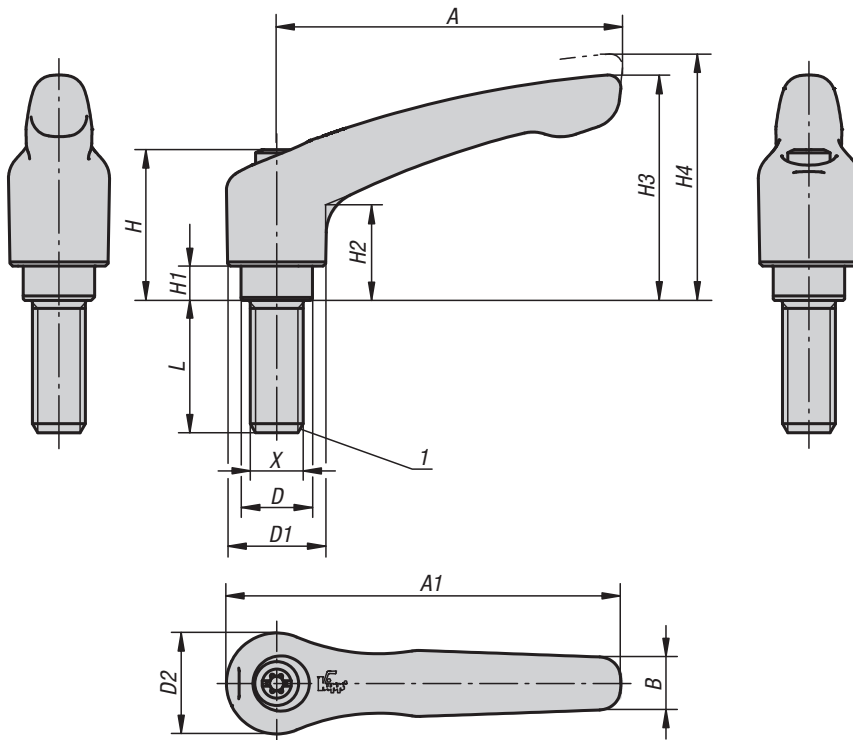
Item No.	Main material	X	A	A1	T	D	D1	D2	H	H1	H3	H4	No. of teeth
K0121.1108	stainless steel	M8	83	107	17	19	28	20	40,5	12	65	68,5	24
K0121.1110	stainless steel	M10	83	107	17	19	28	20	40,5	12	65	68,5	24
K0121.1112	stainless steel	M12	83	107	17	19	28	20	40,5	12	65	68,5	24

## Adjustable Handles

Modern Design Style, Zinc, bolts and internal components in steel, external thread



INCH Parts    METRIC Parts



**Material:**

Handle die-cast zinc DIN EN 12844.  
Steel parts quality class 5.8.

**Type:**

Handle powder-coated or high-gloss chromed.  
Steel parts black oxide finish.

**Part Number Example:**

K0122.0AE1X10  
(handle color black satin finish;  
include length L)  
Δ Add the desired handle color here.

**Note:**

For the inch series, dimension X is in inches,  
all other dimensions are in mm.  
Where  $L \geq 60$  mm the thread length is always  
60 mm.

**On request:**

Other threads, screw lengths, colors and  
special versions.  
Dimension "H1" available in other lengths at  
an additional charge.

**Drawing reference:**

1) flat point DIN 78

lift to  
disengage



black satin finish Δ = 1	orange Δ = 2 RAL 2004	ruby red Δ = 27 RAL 3003	silver metallic Δ = 3	high-gloss chromed Δ = 6
--------------------------	--------------------------	-----------------------------	-----------------------	--------------------------

# Adjustable Handles

Modern Design Style, Zinc, bolts and internal components in steel, external thread

## KIPP Adjustable Handles, Modern Design Style, Zinc, with external thread, components in steel, inch

Item No.	Size	X	D	D1	D2	H	H1	H2	H3	H4	A	A1	B	No. of teeth	L
K0122.0AEΔX	0	8-32	10	13	14	24,5	4	14,5	30	33	30	37	7	16	10/15/20/25/30/35/40/45/50
K0122.0A0ΔX	0	10-24	10	13	14	24,5	4	14,5	30	33	30	37	7	16	10/15/20/25/30/35/40/45/50
K0122.0A1ΔX	0	10-32	10	13	14	24,5	4	14,5	30	33	30	37	7	16	10/15/20/25/30/35/40/45/50
K0122.0A2ΔX	0	1/4-20	10	13	14	24,5	4	14,5	30	33	30	37	7	16	10/15/20/25/30/35/40/45/50
K0122.1A0ΔX	1	10-24	10	13	14	24,5	4	14,5	31	34	40	47	7	16	10/15/20/25/30/35/40/45/50
K0122.1A1ΔX	1	10-32	10	13	14	24,5	4	14,5	31	34	40	47	7	16	10/15/20/25/30/35/40/45/50
K0122.1A2ΔX	1	1/4-20	10	13	14	24,5	4	14,5	31	34	40	47	7	16	10/15/20/25/30/35/40/45/50
K0122.2A2ΔX	2	1/4-20	13,5	18,5	19	28,5	6,5	17,5	42,5	45,5	65	74,5	9,5	20	15/20/25/30/35/40/45/50/55/60
K0122.2A3ΔX	2	5/16-18	13,5	18,5	19	28,5	6,5	17,5	42,5	45,5	65	74,5	9,5	20	15/20/25/30/35/40/45/50/55/60
K0122.2A4ΔX	2	3/8-16	13,5	18,5	19	28,5	6,5	17,5	42,5	45,5	65	74,5	9,5	20	15/20/25/30/35/40/45/50/55/60
K0122.3A3ΔX	3	5/16-18	16	21	22	37	10	24	54,5	58,5	80	91	11	22	15/20/25/30/35/40/45/50/55/60
K0122.3A4ΔX	3	3/8-16	16	21	22	37	10	24	54,5	58,5	80	91	11	22	15/20/25/30/35/40/45/50/55/60
K0122.4A4ΔX	4	3/8-16	19	27	27,5	43	10	27	63	67,5	95	109	13	24	20/25/30/35/40/45/50/55/60/70/80/90
K0122.4A5ΔX	4	1/2-13	19	27	27,5	43	10	27	63	67,5	95	109	13	24	20/25/30/35/40/45/50/55/60/70/80/90
K0122.5A5ΔX	5	1/2-13	23	31	32	49	12	31,5	73	77,5	110	126	15	26	25/30/35/40/45/50/55/60/70/80/90
K0122.5A6ΔX	5	5/8-11	23	31	32	49	12	31,5	73	77,5	110	126	15	26	25/30/35/40/45/50/55/60/70/80/90

## KIPP Adjustable Handles, Modern Design Style, Zinc, with external thread, components in steel, metric

Item No.	Size	X	D	D1	D2	H	H1	H2	H3	H4	A	A1	B	No. of teeth	L
K0122.004ΔX	0	M4	10	13	14	24,5	4	14,5	30	33	30	37	7	16	10/15/20/25/30/35/40/45/50
K0122.005ΔX	0	M5	10	13	14	24,5	4	14,5	30	33	30	37	7	16	10/15/20/25/30/35/40/45/50
K0122.105ΔX	1	M5	10	13	14	24,5	4	14,5	31	34	40	47	7	16	10/15/20/25/30/35/40/45/50
K0122.106ΔX	1	M6	10	13	14	24,5	4	14,5	31	34	40	47	7	16	10/15/20/25/30/35/40/45/50
K0122.206ΔX	2	M6	13,5	18,5	19	28,5	6,5	17,5	42,5	45,5	65	74,5	9,5	20	15/20/25/30/35/40/45/50/55/60
K0122.208ΔX	2	M8	13,5	18,5	19	28,5	6,5	17,5	42,5	45,5	65	74,5	9,5	20	15/20/25/30/35/40/45/50/55/60
K0122.210ΔX	2	M10	13,5	18,5	19	28,5	6,5	17,5	42,5	45,5	65	74,5	9,5	20	15/20/25/30/35/40/45/50/55/60
K0122.308ΔX	3	M8	16	21	22	37	10	24	54,5	58,5	80	91	11	22	15/20/25/30/35/40/45/50/55/60
K0122.310ΔX	3	M10	16	21	22	37	10	24	54,5	58,5	80	91	11	22	15/20/25/30/35/40/45/50/55/60
K0122.410ΔX	4	M10	19	27	27,5	43	10	27	63	67,5	95	109	13	24	20/25/30/35/40/45/50/55/60/70/80/90
K0122.412ΔX	4	M12	19	27	27,5	43	10	27	63	67,5	95	109	13	24	20/25/30/35/40/45/50/55/60/70/80/90
K0122.512ΔX	5	M12	23	31	32	49	12	31,5	73	77,5	110	126	15	26	25/30/35/40/45/50/55/60/70/80/90
K0122.516ΔX	5	M16	23	31	32	49	12	31,5	73	77,5	110	126	15	26	25/30/35/40/45/50/55/60/70/80/90

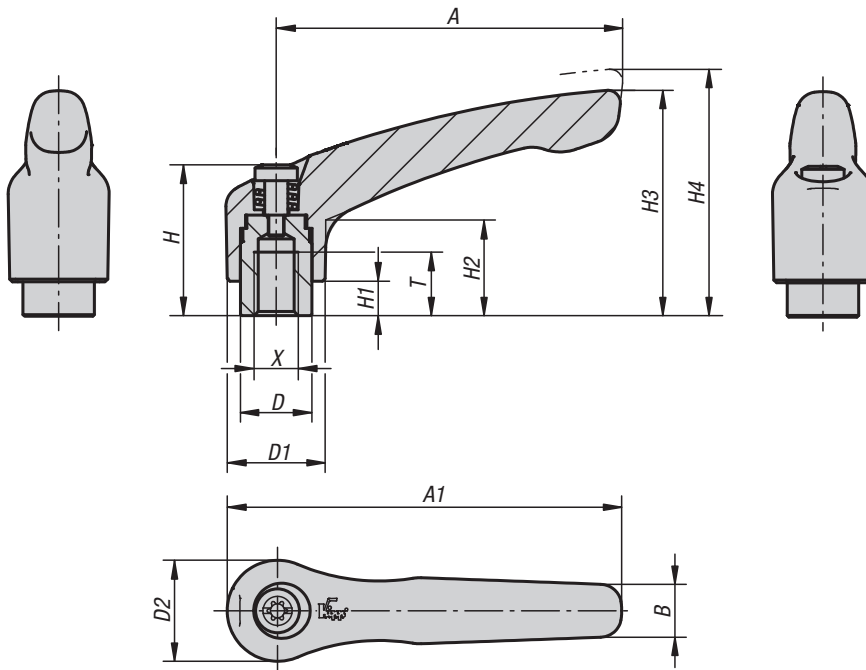


## Adjustable Handles

Modern Design Style, Zinc, inserts and internal components in steel, internal thread



INCH Parts  
METRIC Parts



**Material:**

Handle die-cast zinc DIN EN 12844.  
Steel parts quality class 5.8.

**Type:**

Handle powder-coated or high-gloss chromed.  
Steel parts black oxide finish.

**Part Number Example:**

K0122.0AD1  
(handle color black satin finish)  
Δ Add the desired handle color here.

**Note:**

For the inch series, dimension X is in inches, all other dimensions are in mm.

**On request:**

Other threads, colors and special versions.  
Dimension "H1" available in other lengths at an additional charge.

lift to disengage



black satin finish Δ = 1 	orange Δ = 2 RAL 2004 	ruby red Δ = 27 RAL 3003 	silver metallic Δ = 3 	high-gloss chromed Δ = 6 
---	---	--	--	---

# Adjustable Handles

Modern Design Style, Zinc, inserts and internal components in steel, internal thread



## KIPP Adjustable Handles, Modern Design Style, Zinc, with internal thread, components in steel, inch

Item No.	Size	X	T	D	D1	D2	H	H1	H2	H3	H4	A	A1	B	No. of teeth
K0122.0A0Δ	0	6-32	9	10	13	14	24,5	4	14,5	30	33	30	37	7	16
K0122.0A1Δ	0	8-32	9	10	13	14	24,5	4	14,5	30	33	30	37	7	16
K0122.0A0Δ	0	10-24	9	10	13	14	24,5	4	14,5	30	33	30	37	7	16
K0122.0A1Δ	0	10-32	9	10	13	14	24,5	4	14,5	30	33	30	37	7	16
K0122.0A2Δ	0	1/4-20	9	10	13	14	24,5	4	14,5	30	33	30	37	7	16
K0122.1A0Δ	1	8-32	9	10	13	14	24,5	4	14,5	31	34	40	47	7	16
K0122.1A1Δ	1	10-24	9	10	13	14	24,5	4	14,5	31	34	40	47	7	16
K0122.1A1Δ	1	10-32	9	10	13	14	24,5	4	14,5	31	34	40	47	7	16
K0122.1A2Δ	1	1/4-20	9	10	13	14	24,5	4	14,5	31	34	40	47	7	16
K0122.2A2Δ	2	1/4-20	12	13,5	18,5	19	28,5	6,5	17,5	42,5	45,5	65	74,5	9,5	20
K0122.2A3Δ	2	5/16-18	12	13,5	18,5	19	28,5	6,5	17,5	42,5	45,5	65	74,5	9,5	20
K0122.3A3Δ	3	5/16-18	14	16	21	22	37	10	24	54,5	58,5	80	91	11	22
K0122.3A4Δ	3	3/8-16	14	16	21	22	37	10	24	54,5	58,5	80	91	11	22
K0122.4A4Δ	4	3/8-16	17	19	27	27,5	43	10	27	63	67,5	95	109	13	24
K0122.4A5Δ	4	1/2-13	17	19	27	27,5	43	10	27	63	67,5	95	109	13	24
K0122.5A5Δ	5	1/2-13	23	23	31	32	49	12	31,5	73	77,5	110	126	15	26
K0122.5A6Δ	5	5/8-11	23	23	31	32	49	12	31,5	73	77,5	110	126	15	26

## KIPP Adjustable Handles, Modern Design Style, Zinc, with internal thread, components in steel, metric

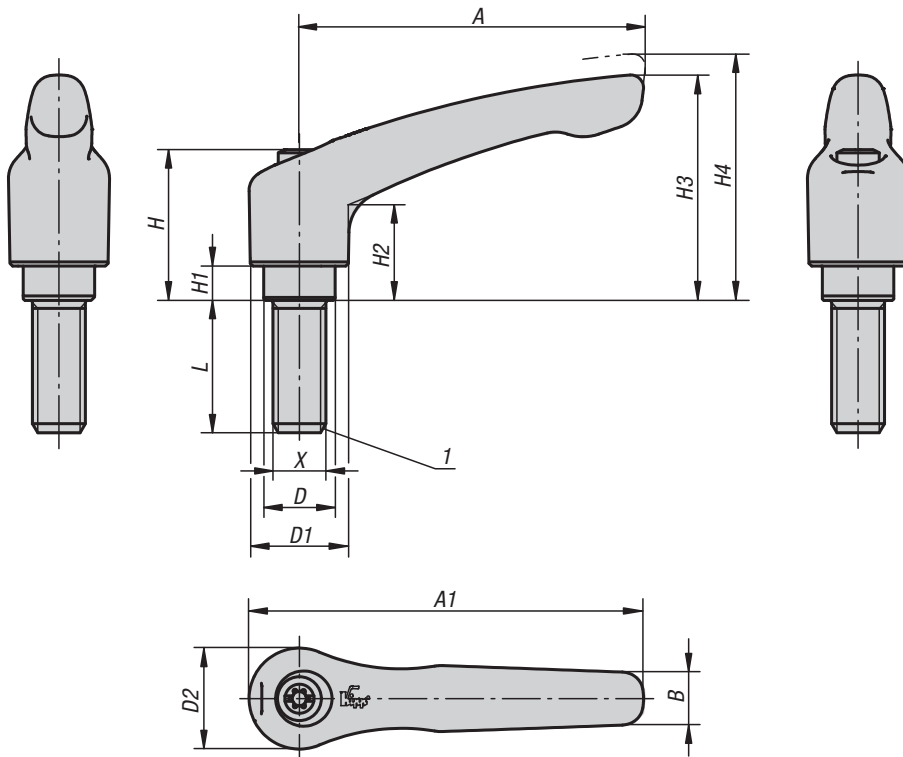
Item No.	Size	X	T	D	D1	D2	H	H1	H2	H3	H4	A	A1	B	No. of teeth
K0122.003Δ	0	M3	9	10	13	14	24,5	4	14,5	30	33	30	37	7	16
K0122.004Δ	0	M4	9	10	13	14	24,5	4	14,5	30	33	30	37	7	16
K0122.005Δ	0	M5	9	10	13	14	24,5	4	14,5	30	33	30	37	7	16
K0122.104Δ	1	M4	9	10	13	14	24,5	4	14,5	31	34	40	47	7	16
K0122.105Δ	1	M5	9	10	13	14	24,5	4	14,5	31	34	40	47	7	16
K0122.106Δ	1	M6	9	10	13	14	24,5	4	14,5	31	34	40	47	7	16
K0122.206Δ	2	M6	12	13,5	18,5	19	28,5	6,5	17,5	42,5	45,5	65	74,5	9,5	20
K0122.208Δ	2	M8	12	13,5	18,5	19	28,5	6,5	17,5	42,5	45,5	65	74,5	9,5	20
K0122.308Δ	3	M8	14	16	21	22	37	10	24	54,5	58,5	80	91	11	22
K0122.310Δ	3	M10	14	16	21	22	37	10	24	54,5	58,5	80	91	11	22
K0122.410Δ	4	M10	17	19	27	27,5	43	10	27	63	67,5	95	109	13	24
K0122.412Δ	4	M12	17	19	27	27,5	43	10	27	63	67,5	95	109	13	24
K0122.512Δ	5	M12	23	23	31	32	49	12	31,5	73	77,5	110	126	15	26
K0122.516Δ	5	M16	23	23	31	32	49	12	31,5	73	77,5	110	126	15	26

## Adjustable Handles

Modern Design Style, Zinc, bolts and internal components in stainless steel, external thread



INCH Parts    METRIC Parts



**Material:**

Handle die-cast zinc DIN EN 12844.  
Steel parts stainless steel 1.4305 (AISI 303 equivalent).

**Type:**

Handle powder-coated or high-gloss chromed.  
Stainless steel parts bright.

**Part Number Example:**

K0123.0AE1X10  
(handle color black satin finish; include length L)  
Δ Add the desired handle color here.

**Note:**

For the inch series, dimension X is in inches, all other dimensions are in mm.  
Where  $L \geq 60$  mm the thread length is always 60 mm.

**On request:**

Other external threads, screw lengths, colors and special versions.  
Dimension „H1“ can be produced in other lengths at an additional charge.

**Drawing reference:**

1) flat point DIN 78

lift to disengage



black satin finish Δ = 1	orange Δ = 2 RAL 2004	ruby red Δ = 27 RAL 3003	silver metallic Δ = 3	high-gloss chromed Δ = 6
--------------------------	--------------------------	-----------------------------	-----------------------	--------------------------

# Adjustable Handles

Modern Design Style, Zinc, bolts and internal components in stainless steel, external thread



## KIPP Adjustable Handles, Modern Design Style, Zinc, with external thread, components in stainless steel, inch

Item No.	Size	X	D	D1	D2	H	H1	H2	H3	H4	A	A1	B	No. of teeth	L
K0123.0AEΔX	0	8-32	10	13	14	24,5	4	14,5	30	33	30	37	7	16	10/15/20/25
K0123.0A0ΔX	0	10-24	10	13	14	24,5	4	14,5	30	33	30	37	7	16	10/15/20/25
K0123.0A1ΔX	0	10-32	10	13	14	24,5	4	14,5	30	33	30	37	7	16	10/15/20/25
K0123.0A2ΔX	0	1/4-20	10	13	14	24,5	4	14,5	30	33	30	37	7	16	10/15/20/25/30/40/50
K0123.1A0ΔX	1	10-24	10	13	14	24,5	4	14,5	31	34	40	47	7	16	15/20/25
K0123.1A1ΔX	1	10-32	10	13	14	24,5	4	14,5	31	34	40	47	7	16	15/20/25
K0123.1A2ΔX	1	1/4-20	10	13	14	24,5	4	14,5	31	34	40	47	7	16	10/15/20/25/30/40/50
K0123.2A2ΔX	2	1/4-20	13,5	18,5	19	28,5	6,5	17,5	42,5	45,5	65	74,5	9,5	20	15/20/25/30/40/50/60
K0123.2A3ΔX	2	5/16-18	13,5	18,5	19	28,5	6,5	17,5	42,5	45,5	65	74,5	9,5	20	15/20/25/30/40/50/60
K0123.2A4ΔX	2	3/8-16	13,5	18,5	19	28,5	6,5	17,5	42,5	45,5	65	74,5	9,5	20	20/25/30/40/50/60
K0123.3A3ΔX	3	5/16-18	16	21	22	37	10	24	54,5	58,5	80	91	11	22	20/25/30/40/50/60
K0123.3A4ΔX	3	3/8-16	16	21	22	37	10	24	54,5	58,5	80	91	11	22	20/25/30/40/50/60
K0123.4A5ΔX	4	1/2-13	19	27	27,5	43	10	27	63	67,5	95	109	13	24	25/30/40/50/60
K0123.5A6ΔX	5	5/8-11	23	31	32	49	12	31,5	73	77,5	110	126	15	26	30/40/50/60

## KIPP Adjustable Handles, Modern Design Style, Zinc, with external thread, components in stainless steel, metric

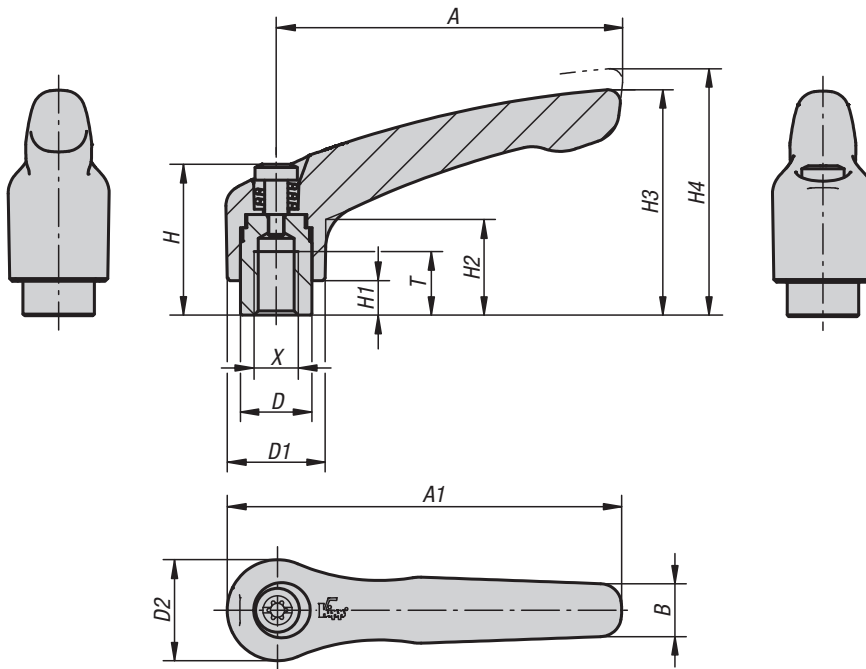
Item No.	Size	X	D	D1	D2	H	H1	H2	H3	H4	A	A1	B	No. of teeth	L
K0123.004ΔX	0	M4	10	13	14	24,5	4	-	-	33	30	37	7	16	10/15/20/25
K0123.005ΔX	0	M5	10	13	14	24,5	4	14,5	30	33	30	37	7	16	10/15/20/25
K0123.105ΔX	1	M5	10	13	14	24,5	4	14,5	31	34	40	47	7	16	10/15/20/25
K0123.106ΔX	1	M6	10	13	14	24,5	4	14,5	31	34	40	47	7	16	10/15/20/25/30/40/50
K0123.206ΔX	2	M6	13,5	18,5	19	28,5	6,5	17,5	42,5	45,5	65	74,5	9,5	20	15/20/25/30/40/50/60
K0123.208ΔX	2	M8	13,5	18,5	19	28,5	6,5	17,5	42,5	45,5	65	74,5	9,5	20	15/20/25/30/40/50/60
K0123.210ΔX	2	M10	13,5	18,5	19	28,5	6,5	17,5	42,5	45,5	65	74,5	9,5	20	20/25/30/40/50/60
K0123.308ΔX	3	M8	16	21	22	37	10	24	54,5	58,5	80	91	11	22	20/25/30/40/50/60
K0123.310ΔX	3	M10	16	21	22	37	10	24	54,5	58,5	80	91	11	22	20/25/30/40/50/60
K0123.412ΔX	4	M12	19	27	27,5	43	10	27	63	67,5	95	109	13	24	25/30/40/50/60
K0123.516ΔX	5	M16	23	31	32	49	12	31,5	73	77,5	110	126	15	26	30/40/50/60

## Adjustable Handles

Modern Design Style, Zinc, inserts and internal components stainless steel, internal thread



INCH Parts  
METRIC Parts



**Material:**

Handle die-cast zinc DIN EN 12844.  
Steel parts stainless steel 1.4305 (AISI 303 equivalent).

**Type:**

Handle powder-coated or high-gloss chromed.  
Stainless steel parts bright.

**Part Number Example:**

K0123.0AD1  
(handle color black satin finish)  
Δ Add the desired handle color here.

**Note:**

For the inch series, dimension X is in inches, all other dimensions are in mm.

**On request:**

Other internal threads, colors and special versions.  
Dimension "H1" can be produced in other lengths at an additional charge.

lift to disengage



black satin finish Δ = 1 	orange Δ = 2 RAL 2004 	ruby red Δ = 27 RAL 3003 	silver metallic Δ = 3 	high-gloss chromed Δ = 6 
---	---	--	--	---



# Adjustable Handles

Modern Design Style, Zinc, inserts and internal components stainless steel, internal thread



## KIPP Adjustable Handles, Modern Design Style, Zinc, with internal thread, components in stainless steel, inch

Item No.	Size	X	T	D	D1	D2	H	H1	H2	H3	H4	A	A1	B	No. of teeth
K0123.0A0Δ	0	6-32	9	10	13	14	24,5	4	14,5	30	33	30	37	7	16
K0123.0AEΔ	0	8-32	9	10	13	14	24,5	4	14,5	30	33	30	37	7	16
K0123.0A0Δ	0	10-24	9	10	13	14	24,5	4	14,5	30	33	30	37	7	16
K0123.0A1Δ	0	10-32	9	10	13	14	24,5	4	14,5	30	33	30	37	7	16
K0123.0A2Δ	0	1/4-20	9	10	13	14	24,5	4	14,5	30	33	30	37	7	16
K0123.1A0Δ	1	10-24	9	10	13	14	24,5	4	14,5	31	34	40	47	7	16
K0123.1A1Δ	1	10-32	9	10	13	14	24,5	4	14,5	31	34	40	47	7	16
K0123.1A2Δ	1	1/4-20	9	10	13	14	24,5	4	14,5	31	34	40	47	7	16
K0123.2A2Δ	2	1/4-20	12	13,5	18,5	19	28,5	6,5	17,5	42,5	45,5	65	74,5	9,5	20
K0123.2A3Δ	2	5/16-18	12	13,5	18,5	19	28,5	6,5	17,5	42,5	45,5	65	74,5	9,5	20
K0123.3A3Δ	3	5/16-18	14	16	21	22	37	10	24	54,5	58,5	80	91	11	22
K0123.3A4Δ	3	3/8-16	14	16	21	22	37	10	24	54,5	58,5	80	91	11	22
K0123.4A4Δ	4	3/8-16	17	19	27	27,5	43	10	27	63	67,5	95	109	13	24
K0123.4A5Δ	4	1/2-13	17	19	27	27,5	43	10	27	63	67,5	95	109	13	24
K0123.5A5Δ	5	1/2-13	23	23	31	32	49	12	31,5	73	77,5	110	126	15	26
K0123.5A6Δ	5	5/8-11	23	23	31	32	49	12	31,5	73	77,5	110	126	15	26

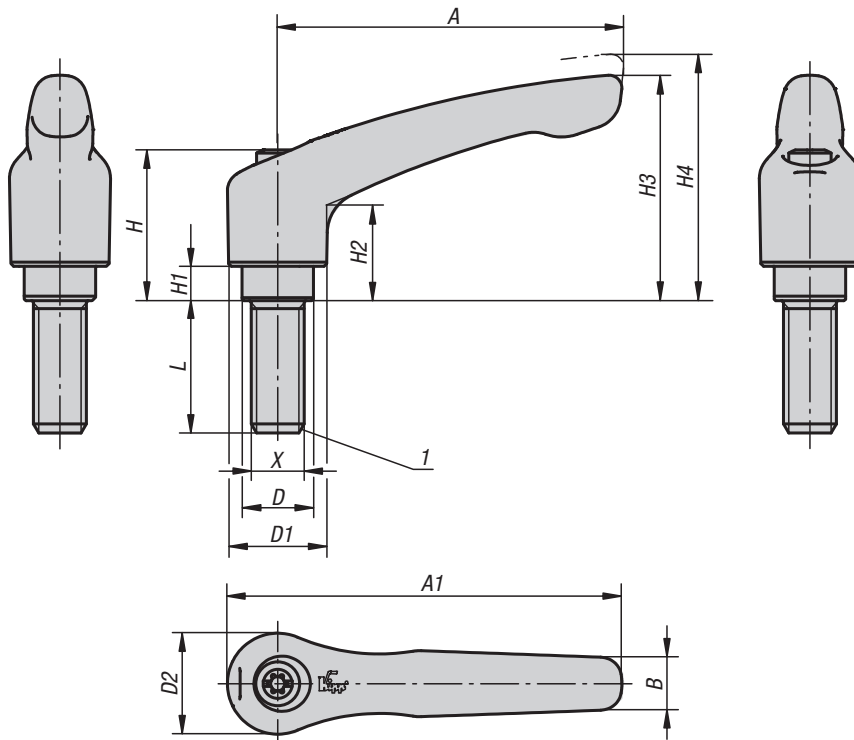
## KIPP Adjustable Handles, Modern Design Style, Zinc, with internal thread, components in stainless steel, metric

Item No.	Size	X	T	D	D1	D2	H	H1	H2	H3	H4	A	A1	B	No. of teeth
K0123.003Δ	0	M3	9	10	13	14	24,5	4	14,5	30	33	30	37	7	16
K0123.004Δ	0	M4	9	10	13	14	24,5	4	14,5	30	33	30	37	7	16
K0123.005Δ	0	M5	9	10	13	14	24,5	4	14,5	30	33	30	37	7	16
K0123.104Δ	1	M4	9	10	13	14	24,5	4	14,5	31	34	40	47	7	16
K0123.105Δ	1	M5	9	10	13	14	24,5	4	14,5	31	34	40	47	7	16
K0123.106Δ	1	M6	9	10	13	14	24,5	4	14,5	31	34	40	47	7	16
K0123.206Δ	2	M6	12	13,5	18,5	19	28,5	6,5	17,5	42,5	45,5	65	74,5	9,5	20
K0123.208Δ	2	M8	12	13,5	18,5	19	28,5	6,5	17,5	42,5	45,5	65	74,5	9,5	20
K0123.308Δ	3	M8	14	16	21	22	37	10	24	54,5	58,5	80	91	11	22
K0123.310Δ	3	M10	14	16	21	22	37	10	24	54,5	58,5	80	91	11	22
K0123.410Δ	4	M10	17	19	27	27,5	43	10	27	63	67,5	95	109	13	24
K0123.412Δ	4	M12	17	19	27	27,5	43	10	27	63	67,5	95	109	13	24
K0123.512Δ	5	M12	23	23	31	32	49	12	31,5	73	77,5	110	126	15	26
K0123.516Δ	5	M16	23	23	31	32	49	12	31,5	73	77,5	110	126	15	26

## Adjustable Handles steel

external thread

INCH Parts  
METRIC Parts



**Material:**

Handle steel 1.0401.  
All other steel parts quality class 5.8.

**Type:**

Handle powder-coated, fine-textured structure.  
Steel parts black oxide finish.

**Part Number Example:**

K0752.1051X20 (include length L)

**Note:**

For the inch series, dimension X is in inches, all other dimensions are in mm.  
Standard colors are:  
black or ruby red RAL 3003.  
Where  $L \geq 60$  mm the thread length is always 60 mm.

**Drawing reference:**

1) flat point DIN 78

lift to  
disengage



## Adjustable Handles steel

external thread



## KIPP Specifications

Size	X	D	D1	D2	H	H1	H2	H3	H4	A	A1	B	No. of teeth
1	10-24 ; M5	10	13	14	24,5	4	14,5	31	34	40	47	7	16
1	10-32 ; 1/4-20 ; M6	10	13	14	24,5	4	14,5	31	34	40	47	7	16
2	1/4-20 ; M6	13,5	18,5	19	28,5	6,5	17,5	42,5	45,5	65	74,5	9,5	20
2	5/16-18 ; M8	13,5	18,5	19	28,5	6,5	17,5	42,5	45,5	65	74,5	9,5	20
2	3/8-16 ; M10	13,5	18,5	19	28,5	6,5	17,5	42,5	45,5	65	74,5	9,5	20
3	5/16-18 ; M8	16	21	22	37	10	24	54,5	58,5	80	91	11	22
3	3/8-16 ; M10	16	21	22	37	10	24	54,5	58,5	80	91	11	22
4	3/8-16 ; M10	19	27	27,5	43	10	27	63	67,5	95	109	13	24
4	1/2-13 ; M12	19	27	27,5	43	10	27	63	67,5	95	109	13	24
5	1/2-13 ; M12	23	31	32	49	12	31,5	73	77,5	110	126	15	26
5	5/8-11 ; M16	23	31	32	49	12	31,5	73	77,5	110	126	15	26

## KIPP Adjustable Handles with external thread, steel, inch

Item No. black	Item No. ruby red	Size	X	L
K0752.1A01X	K0752.1A027X	1	10-24	10/15/20/25/30/35/40/45/50
K0752.1A11X	K0752.1A127X	1	10-32	10/15/20/25/30/35/40/45/50
K0752.1A21X	K0752.1A227X	1	1/4-20	10/15/20/25/30/35/40/45/50
K0752.2A21X	K0752.2A227X	2	1/4-20	15/20/25/30/35/40/45/50/55/60
K0752.2A31X	K0752.2A327X	2	5/16-18	15/20/25/30/35/40/45/50/55/60
K0752.2A41X	K0752.2A427X	2	3/8-16	15/20/25/30/35/40/45/50/55/60
K0752.3A31X	K0752.3A327X	3	5/16-18	15/20/25/30/35/40/45/50/55/60
K0752.3A41X	K0752.3A427X	3	3/8-16	15/20/25/30/35/40/45/50/55/60
K0752.4A41X	K0752.4A427X	4	3/8-16	20/25/30/35/40/45/50/55/60/70/80/90
K0752.4A51X	K0752.4A527X	4	1/2-13	20/25/30/35/40/45/50/55/60/70/80/90
K0752.5A51X	K0752.5A527X	5	1/2-13	25/30/35/40/45/50/55/60/70/80/90
K0752.5A61X	K0752.5A627X	5	5/8-11	25/30/35/40/45/50/55/60/70/80/90

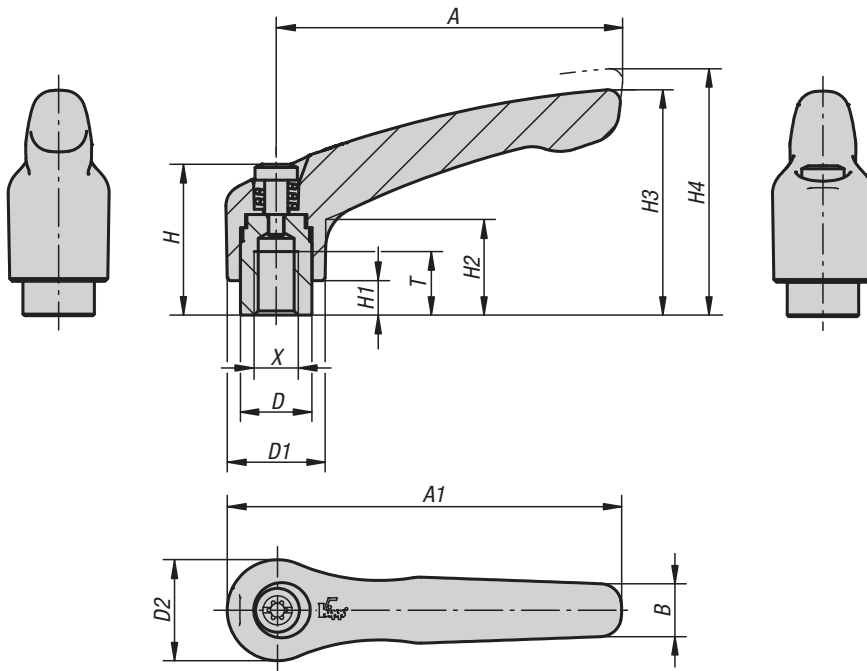
## KIPP Adjustable Handles with external thread, steel, metric

Item No. black	Item No. ruby red	Size	X	L
K0752.1051X	K0752.10527X	1	M5	10/15/20/25/30/35/40/45/50
K0752.1061X	K0752.10627X	1	M6	10/15/20/25/30/35/40/45/50
K0752.2061X	K0752.20627X	2	M6	15/20/25/30/35/40/45/50/55/60
K0752.2081X	K0752.20827X	2	M8	15/20/25/30/35/40/45/50/55/60
K0752.2101X	K0752.21027X	2	M10	15/20/25/30/35/40/45/50/55/60
K0752.3081X	K0752.30827X	3	M8	15/20/25/30/35/40/45/50/55/60
K0752.3101X	K0752.31027X	3	M10	15/20/25/30/35/40/45/50/55/60
K0752.4101X	K0752.41027X	4	M10	20/25/30/35/40/45/50/55/60/70/80/90
K0752.4121X	K0752.41227X	4	M12	20/25/30/35/40/45/50/55/60/70/80/90
K0752.5121X	K0752.51227X	5	M12	25/30/35/40/45/50/55/60/70/80/90
K0752.5161X	K0752.51627X	5	M16	25/30/35/40/45/50/55/60/70/80/90

## Adjustable Handles steel

internal thread

INCH Parts  
METRIC Parts



**Material:**

Handle steel 1.0401.

All other steel parts quality class 5.8.

**Type:**

Handle powder-coated, fine-textured structure.

Steel parts black oxide finish.

**Part Number Example:**

K0752.1051

**Note:**

Standard colors are:

black or ruby red RAL 3003.

lift to  
disengage



## Adjustable Handles steel

internal thread



## KIPP Adjustable Handles with internal thread, steel, inch

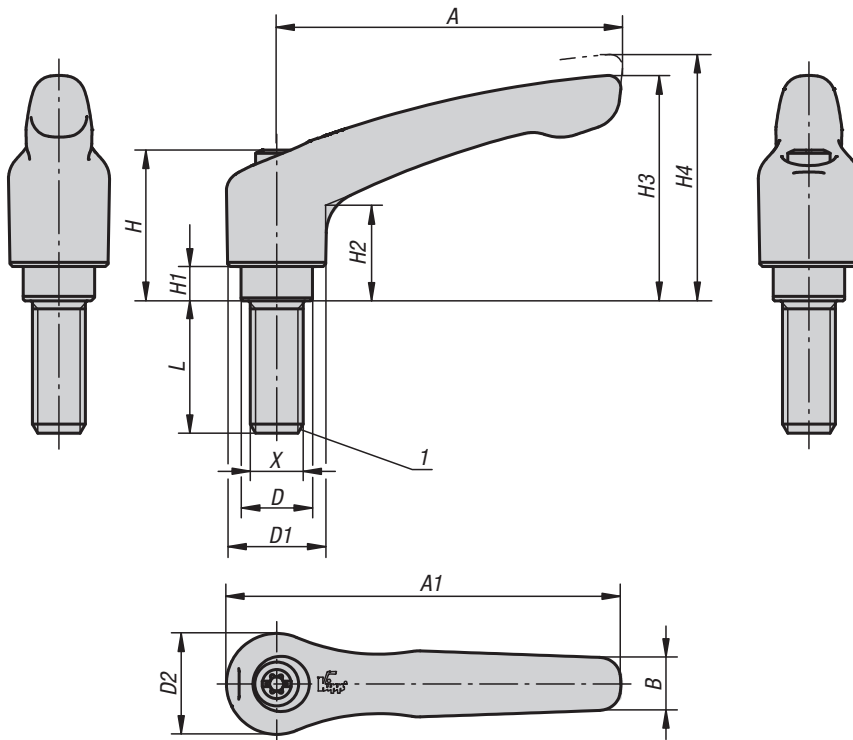
Item No. black	Item No. ruby red	X	A	A1	B	D	D1	D2	H	H1	H2	H3	H4	T	No. of teeth
K0752.1AE1	K0752.1AE27	8-32	40	47	7	10	13	14	24,5	4	14,5	31	34	9	16
K0752.1A01	K0752.1A027	10-24	40	47	7	10	13	14	24,5	4	14,5	31	34	9	16
K0752.1A11	K0752.1A127	10-32	40	47	7	10	13	14	24,5	4	14,5	31	34	9	16
K0752.1A21	K0752.1A227	1/4-20	40	47	7	10	13	14	24,5	4	14,5	31	34	9	16
K0752.2A21	K0752.2A227	1/4-20	65	74,5	9,5	13,5	18,5	19	28,5	6,5	17,5	42,5	45,5	12	20
K0752.2A31	K0752.2A327	5/16-18	65	74,5	9,5	13,5	18,5	19	28,5	6,5	17,5	42,5	45,5	12	20
K0752.3A31	K0752.3A327	5/16-18	80	91	11	16	21	22	37	10	24	54,5	58,5	14	22
K0752.3A41	K0752.3A427	3/8-16	80	91	11	16	21	22	37	10	24	54,5	58,5	14	22
K0752.4A41	K0752.4A427	3/8-16	95	109	13	19	27	27,5	43	10	27	63	67,5	17	24
K0752.4A51	K0752.4A527	1/2-13	95	109	13	19	27	27,5	43	10	27	63	67,5	17	24
K0752.5A51	K0752.5A527	1/2-13	110	126	15	23	31	32	49	12	31,5	73	77,5	23	26
K0752.5A61	K0752.5A627	5/8-11	110	126	15	23	31	32	49	12	31,5	73	77,5	23	26

## KIPP Adjustable Handles with internal thread, steel, metric

Item No. black	Item No. ruby red	X	A	A1	B	D	D1	D2	H	H1	H2	H3	H4	T	No. of teeth
K0752.1041	K0752.10427	M4	40	47	7	10	13	14	24,5	4	14,5	31	34	9	16
K0752.1051	K0752.10527	M5	40	47	7	10	13	14	24,5	4	14,5	31	34	9	16
K0752.1061	K0752.10627	M6	40	47	7	10	13	14	24,5	4	14,5	31	34	9	16
K0752.2061	K0752.20627	M6	65	74,5	10	13,5	18,5	19	28,5	6,5	17,5	42,5	45,5	12	20
K0752.2081	K0752.20827	M8	65	74,5	10	13,5	18,5	19	28,5	6,5	17,5	42,5	45,5	12	20
K0752.3081	K0752.30827	M8	80	91	11	16	21	22	37	10	24	54,5	58,5	14	22
K0752.3101	K0752.31027	M10	80	91	11	16	21	22	37	10	24	54,5	58,5	14	22
K0752.4101	K0752.41027	M10	95	109	13	19	27	27,5	43	10	27	63	67,5	17	24
K0752.4121	K0752.41227	M12	95	109	13	19	27	27,5	43	10	27	63	67,5	17	24
K0752.5121	K0752.51227	M12	110	126	15	23	31	32	49	12	31,5	73	77,5	23	26
K0752.5161	K0752.51627	M16	110	126	15	23	31	32	49	12	31,5	73	77,5	23	26

# Adjustable Handles

Modern Design Style, stainless steel, external thread



**Material:**

Handle investment cast stainless steel 1.4308 (AISI "316" equivalent).  
All other stainless steel parts 1.4305 (AISI 303 equivalent).

**Type:**

Handle electropolished.  
Stainless steel parts bright.

**Part Number Example:**

K0124.1A0X10  
(include length L)

**Note:**

For the inch series, dimension X is in inches, all other dimensions are in mm.

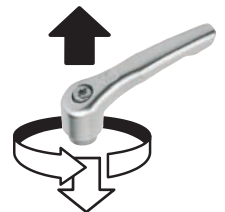
**On request:**

Other threads, screw lengths and special versions.  
Dimension "H1" available in other lengths at an additional charge.

**Drawing reference:**

1) flat point DIN 78

lift to disengage





# Adjustable Handles

Modern Design Style, stainless steel, external thread



## KIPP Adjustable Handles, Modern Design Style, stainless steel, external thread, inch

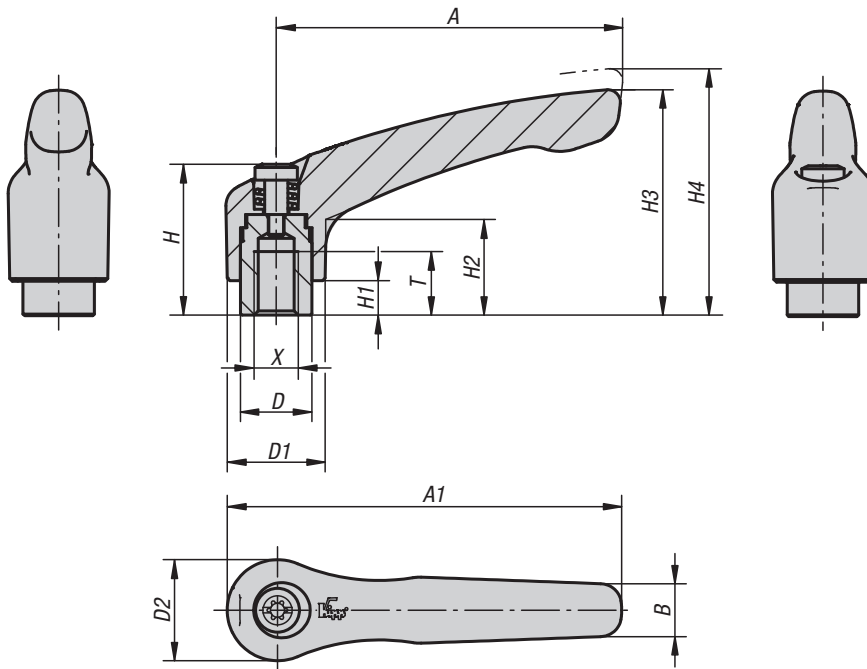
Item No.	Size	X	D	D1	D2	H	H1	H2	H3	H4	A	A1	B	No. of teeth	L
K0124.1A0X	1	10-24	10	13	14	24,5	4	14,5	31	34	40	47	7	16	10/15/20/25
K0124.1A1X	1	10-32	10	13	14	24,5	4	14,5	31	34	40	47	7	16	10/15/20/25
K0124.1A2X	1	1/4-20	10	13	14	24,5	4	14,5	31	34	40	47	7	16	10/15/20/25/30/40/50
K0124.2A2X	2	1/4-20	13,5	18,5	19	28,5	6,5	17,5	42,5	45,5	65	74,5	10	20	15/20/25/30/40/50/60
K0124.2A3X	2	5/16-18	13,5	18,5	19	28,5	6,5	17,5	42,5	45,5	65	74,5	10	20	15/20/25/30/40/50/60
K0124.2A4X	2	3/8-16	13,5	18,5	19	28,5	6,5	17,5	42,5	45,5	65	74,5	10	20	20/25/30/40/50/60
K0124.3A3X	3	5/16-18	16	21	22	37	10	24	54,5	58,5	80	91	11	22	20/25/30/40/50/60
K0124.3A4X	3	3/8-16	16	21	22	37	10	24	54,5	58,5	80	91	11	22	20/25/30/40/50/60
K0124.4A5X	4	1/2-13	19	27	27,5	43	10	27	63	67,5	95	109	13	24	25/30/40/50/60
K0124.5A6X	5	5/8-11	23	31	32	49	12	31,5	73	77,5	110	126	15	26	30/40/50/60

## KIPP Adjustable Handles, Modern Design Style, stainless steel, external thread, metric

Item No.	Size	X	D	D1	D2	H	H1	H2	H3	H4	A	A1	B	No. of teeth	L
K0124.105X	1	M5	10	13	14	24,5	4	14,5	31	34	40	47	7	16	10/15/20/25
K0124.106X	1	M6	10	13	14	24,5	4	14,5	31	34	40	47	7	16	10/15/20/25/30/40/50
K0124.206X	2	M6	13,5	18,5	19	28,5	6,5	17,5	42,5	45,5	65	74,5	10	20	15/20/25/30/40/50/60
K0124.208X	2	M8	13,5	18,5	19	28,5	6,5	17,5	42,5	45,5	65	74,5	10	20	15/20/25/30/40/50/60
K0124.210X	2	M10	13,5	18,5	19	28,5	6,5	17,5	42,5	45,5	65	74,5	10	20	20/25/30/40/50/60
K0124.308X	3	M8	16	21	22	37	10	24	54,5	58,5	80	91	11	22	20/25/30/40/50/60
K0124.310X	3	M10	16	21	22	37	10	24	54,5	58,5	80	91	11	22	20/25/30/40/50/60
K0124.412X	4	M12	19	27	27,5	43	10	27	63	67,5	95	109	13	24	25/30/40/50/60
K0124.516X	5	M16	23	31	32	49	12	31,5	73	77,5	110	126	15	26	30/40/50/60

## Adjustable Handles

Modern Design Style, stainless steel, internal thread



**Material:**

Handle investment cast stainless steel 1.4308 (AISI "316" equivalent).  
All other stainless steel parts 1.4305 (AISI 303 equivalent).

**Type:**

Handle electropolished.  
Stainless steel parts bright.

**Part Number Example:**

K0124.1A0

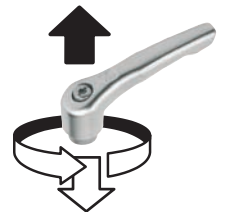
**Note:**

For the inch series, dimension X is in inches, all other dimensions are in mm.

**On request:**

Other threads and special versions.  
Dimension "H1" available in other lengths at an additional charge.

lift to  
disengage



# Adjustable Handles

Modern Design Style, stainless steel, internal thread

## KIPP Adjustable Handles, Modern Design Style, stainless steel, internal thread, inch

Item No.	Size	X	T	D	D1	D2	H	H1	H2	H3	H4	A	A1	B	No. of teeth
K0124.1A0	1	10-24	9	10	13	14	24,5	4	14,5	31	34	40	47	7	16
K0124.1A1	1	10-32	9	10	13	14	24,5	4	14,5	31	34	40	47	7	16
K0124.1A2	1	1/4-20	9	10	13	14	24,5	4	14,5	31	34	40	47	7	16
K0124.2A2	2	1/4-20	12	13,5	18,5	19	28,5	6,5	17,5	42,5	45,5	65	74,5	10	20
K0124.2A3	2	5/16-18	12	13,5	18,5	19	28,5	6,5	17,5	42,5	45,5	65	74,5	10	20
K0124.3A3	3	5/16-18	14	16	21	22	37	10	24	54,5	58,5	80	91	11	22
K0124.3A4	3	3/8-16	14	16	21	22	37	10	24	54,5	58,5	80	91	11	22
K0124.4A4	4	3/8-16	17	19	27	27,5	43	10	27	63	67,5	95	109	13	24
K0124.4A5	4	1/2-13	17	19	27	27,5	43	10	27	63	67,5	95	109	13	24
K0124.5A5	5	1/2-13	23	23	31	32	49	12	31,5	73	77,5	110	126	15	26
K0124.5A6	5	5/8-11	23	23	31	32	49	12	31,5	73	77,5	110	126	15	26

## KIPP Adjustable Handles, Modern Design Style, stainless steel, internal thread, metric

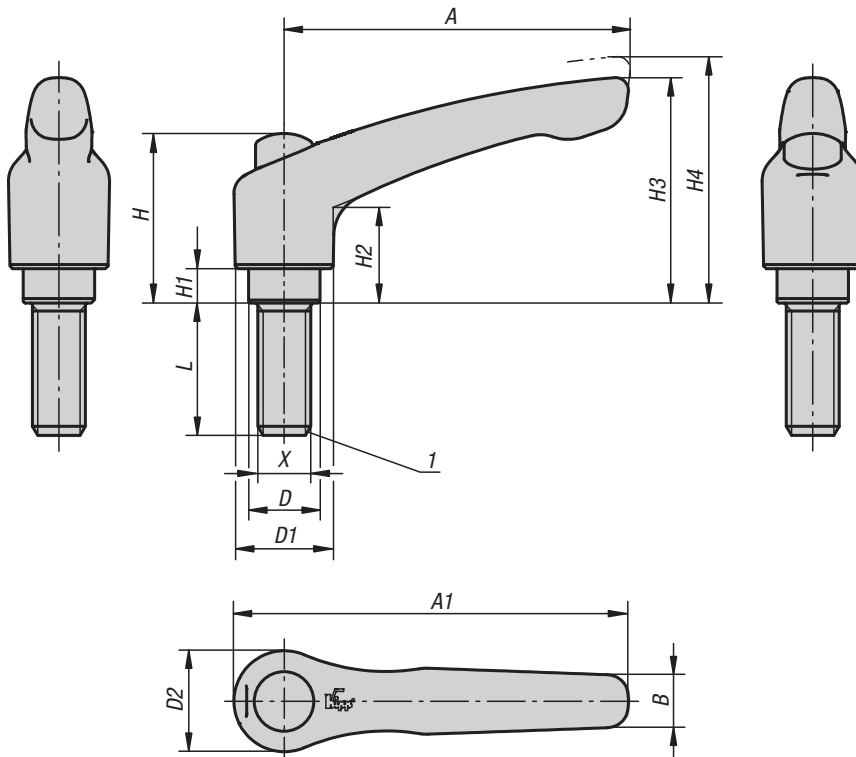
Item No.	Size	X	T	D	D1	D2	H	H1	H2	H3	H4	A	A1	B	No. of teeth
K0124.104	1	M4	9	10	13	14	24,5	4	14,5	31	34	40	47	7	16
K0124.105	1	M5	9	10	13	14	24,5	4	14,5	31	34	40	47	7	16
K0124.106	1	M6	9	10	13	14	24,5	4	14,5	31	34	40	47	7	16
K0124.206	2	M6	12	13,5	18,5	19	28,5	6,5	17,5	42,5	45,5	65	74,5	10	20
K0124.208	2	M8	12	13,5	18,5	19	28,5	6,5	17,5	42,5	45,5	65	74,5	10	20
K0124.308	3	M8	14	16	21	22	37	10	24	54,5	58,5	80	91	11	22
K0124.310	3	M10	14	16	21	22	37	10	24	54,5	58,5	80	91	11	22
K0124.410	4	M10	17	19	27	27,5	43	10	27	63	67,5	95	109	13	24
K0124.412	4	M12	17	19	27	27,5	43	10	27	63	67,5	95	109	13	24
K0124.512	5	M12	23	23	31	32	49	12	31,5	73	77,5	110	126	15	26
K0124.516	5	M16	23	23	31	32	49	12	31,5	73	77,5	110	126	15	26

## Adjustable Handles with protective cap

Modern Design Style, Zinc, bolts and internal components in steel, external thread



INCH Parts  
METRIC Parts



**Material:**

Handle die-cast zinc DIN EN 12844.  
Steel parts quality class 5.8.  
Protective cap stainless steel 1.4305 (AISI 303 equivalent).

**Type:**

Handle powder-coated.  
Steel parts black oxide finish.  
Caps stainless steel bright.

**Part Number Example:**

K0122.92A21X15  
(include length L)

**Note:**

For the inch series, dimension X is in inches, all other dimensions are in mm.  
Standard colors are:  
black satin finish, orange RAL 2004.  
Where L is  $\geq 60$  mm the thread length is 60 mm.

**On request:**

Other internal threads, colors and special versions.  
Dimension "H1" can be produced in other lengths at an additional charge.

**Drawing reference:**

1) flat point DIN 78

lift to  
disengage



# Adjustable Handles with protective cap

Modern Design Style, Zinc, bolts and internal components in steel, external thread

## KIPP Specifications

Size	X	D	D1	D2	H	H1	H2	H3	H4	A	A1	B	No. of teeth
2	1/4-20 ; 5/16-18 ; 3/8-16	13,5	18,5	19	32	6,5	17,5	42,5	45,5	65	74,5	9,5	20
3	5/16-18 ; 3/8-16	16	21	22	41,5	10	24	54,5	58,5	80	91	11	22
2	M6 ; M8 ; M10 ; M8 ; M10	13,5	18,5	19	32	6,5	17,5	42,5	45,5	65	74,5	9,5	20

## KIPP Adjustable Handles with protective cap, Zinc, bolts and internal components in steel, external thread, inch

Item No. black	Item No. orange	Size	X	L
K0122.92A21X	K0122.92A22X	2	1/4-20	15/20/25/30/35/40/45/50/55/60
K0122.92A31X	K0122.92A32X	2	5/16-18	15/20/25/30/35/40/45/50/55/60
K0122.92A41X	K0122.92A42X	2	3/8-16	15/20/25/30/35/40/45/50/55/60
K0122.93A31X	K0122.93A32X	3	5/16-18	15/20/25/30/35/40/45/50/55/60
K0122.93A41X	K0122.93A42X	3	3/8-16	15/20/25/30/35/40/45/50/55/60

## KIPP Adjustable Handles with protective cap, Zinc, bolts and internal components in steel, external thread, metric

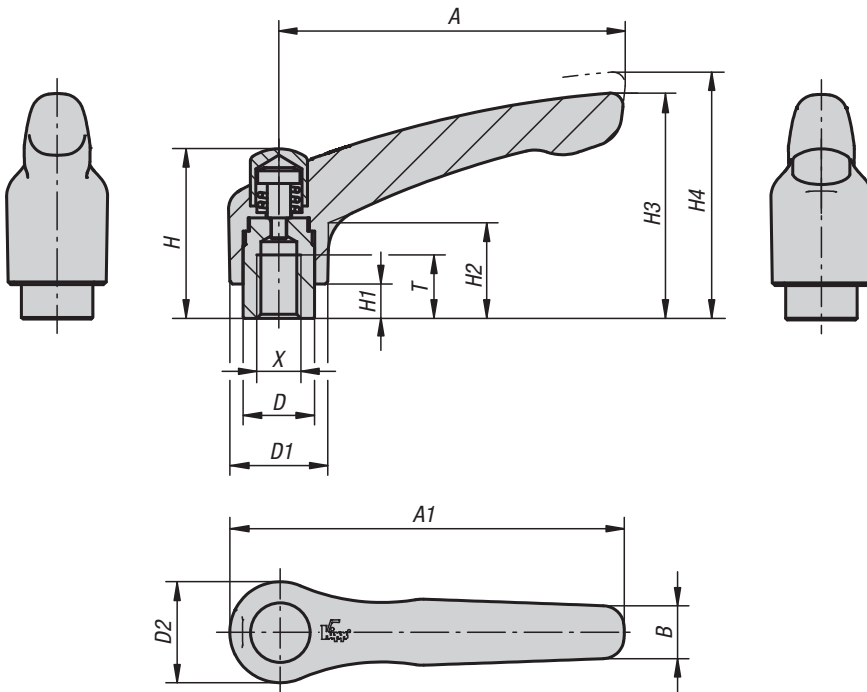
Item No. black	Item No. orange	Size	X	L
K0122.92061X	K0122.92062X	2	M6	15/20/25/30/35/40/45/50/55/60
K0122.92081X	K0122.92082X	2	M8	15/20/25/30/35/40/45/50/55/60
K0122.92101X	K0122.92102X	2	M10	15/20/25/30/35/40/45/50/55/60
K0122.93081X	K0122.93082X	3	M8	15/20/25/30/35/40/45/50/55/60
K0122.93101X	K0122.93102X	3	M10	15/20/25/30/35/40/45/50/55/60

## Adjustable Handles with protective cap

Modern Design Style, Zinc, inserts and internal components in steel, internal thread



INCH Parts    METRIC Parts



**Material:**

Handle die-cast zinc DIN EN 12844.  
Steel parts quality class 5.8.  
Protective cap stainless steel 1.4305 (AISI 303 equivalent).

**Type:**

Handle powder-coated.  
Steel parts black oxide finish.  
Caps stainless steel bright.

**Part Number Example:**

K0122.92A21

**Note:**

For the inch series, dimension X is in inches, all other dimensions are in mm.  
Standard colors are:  
black satin finish, orange RAL 2004.

**On request:**

Other threads, colors and special versions.  
Dimension "H1" available in other lengths at an additional charge.

lift to disengage





## Adjustable Handles with protective cap

Modern Design Style, Zinc, inserts and internal components in steel, internal thread

### KIPP Adjustable Handles with protective cap, Zinc, bolts and internal components in steel, internal thread, inch

Item No. black	Item No. orange	X	A	A1	B	D	D1	D2	H	H1	H2	H3	H4	T	No. of teeth
K0122.92A21	K0122.92A22	1/4-20	65	74,5	9,5	13,5	18,5	19	32	6,5	17,5	42,5	45,5	12	20
K0122.92A31	K0122.92A32	5/16-18	65	74,5	9,5	13,5	18,5	19	32	6,5	17,5	42,5	45,5	12	20
K0122.93A31	K0122.93A32	5/16-18	80	91	11	16	21	22	41,5	10	24	54,5	58,5	14	22
K0122.93A41	K0122.93A42	3/8-16	80	91	11	16	21	22	41,5	10	24	54,5	58,5	14	22

### KIPP Adjustable Handles with protective cap, Zinc, bolts and internal components in steel, internal thread, metric

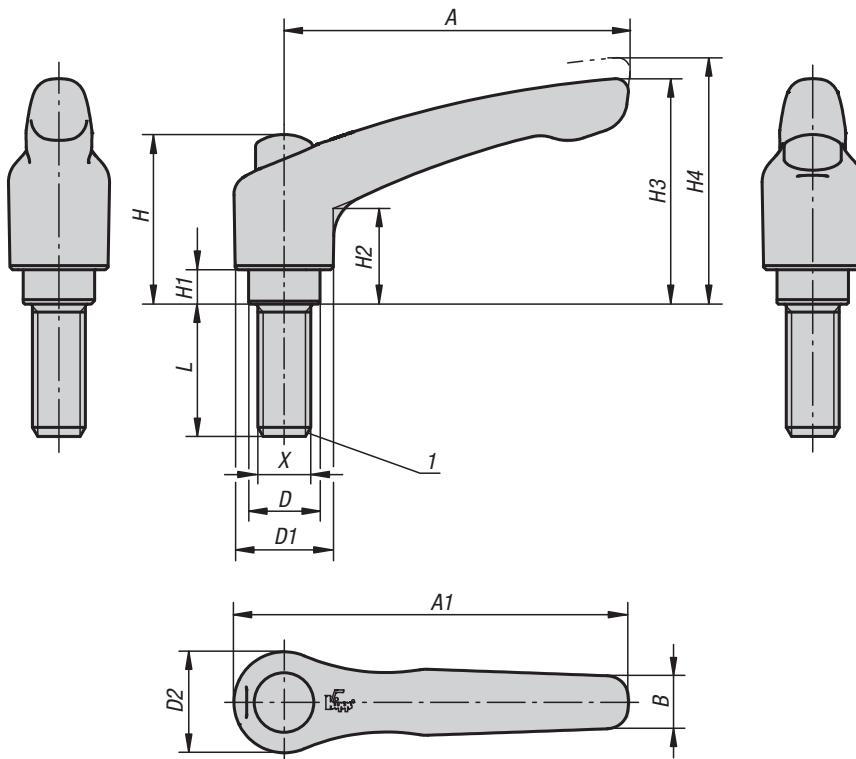
Item No. black	Item No. orange	X	A	A1	B	D	D1	D2	H	H1	H2	H3	H4	T	No. of teeth
K0122.92061	K0122.92062	M6	65	74,5	9,5	13,5	18,5	19	-	6,5	17,5	42,5	45,5	12	20
K0122.92081	K0122.92082	M8	65	74,5	9,5	13,5	18,5	19	-	6,5	17,5	42,5	45,5	12	20
K0122.93081	K0122.93082	M8	80	91	11	16	21	22	37	10	24	54,5	58,5	14	22
K0122.93101	K0122.93102	M10	80	91	11	16	21	22	37	10	24	54,5	58,5	14	22

## Adjustable Handles with protective cap

Modern Design Style, Zinc, bolts and internal components in stainless steel, external thread



INCH Parts    METRIC Parts



**Material:**

Handle die-cast zinc, DIN EN 12844.  
Steel parts and cap stainless steel 1.4305 (AISI 303 equivalent).

**Type:**

Handle powder-coated.  
Stainless steel parts bright.

**Part Number Example:**

K0123.92A21X15  
(include length L)

**Note:**

For the inch series, dimension X is in inches, all other dimensions are in mm.  
Standard colors are:  
black satin finish, orange RAL 2004.  
Where  $L \geq 60$  mm the thread length is always 60 mm.

**On request:**

Other threads, screw lengths, colors and special versions.  
Dimension "H1" available in other lengths at an additional charge.

**Drawing reference:**

1) flat point DIN 78

lift to disengage



# Adjustable Handles with protective cap

Modern Design Style, Zinc, bolts and internal components in stainless steel, external thread



## KIPP Specifications

Size	X	D	D1	D2	H	H1	H2	H3	H4	A	A1	B	No. of teeth
2	1/4-20 ; 5/16-18 ; 3/8-16 ; 5/16-18	13,5	18,5	19	32	6,5	17,5	42,5	45,5	65	74,5	9,5	20
3	5/16-18 ; 3/8-16	16	21	22	41,5	10	24	54,5	58,5	80	91	11	22
2	M6 ; M8 ; M10	13,5	18,5	19	32	6,5	17,5	42,5	45,5	65	74,5	9,5	20
3	M8 ; M10	16	21	22	41,5	10	24	54,5	58,5	80	91	11	22

## KIPP Adjustable Handles with protective cap, Zinc, bolts and internal components stainless steel, external thread, inch

Item No. black	Item No. orange	Size	X	L
K0123.92A21X	K0123.92A22X	2	1/4-20	15/20/25/30/40/50/60
K0123.92A31X	K0123.92A32X	2	5/16-18	15/20/25/30/40/50/60
K0123.92A41X	K0123.92A42X	2	3/8-16	20/25/30/40/50/60
K0123.93A31X	K0123.93A32X	3	5/16-18	20/25/30/40/50/60
K0123.93A41X	K0123.93A42X	3	3/8-16	20/25/30/40/50/60

## KIPP Adjustable Handles with protective cap, Zinc, bolts and internal components stainless steel, external thread, metric

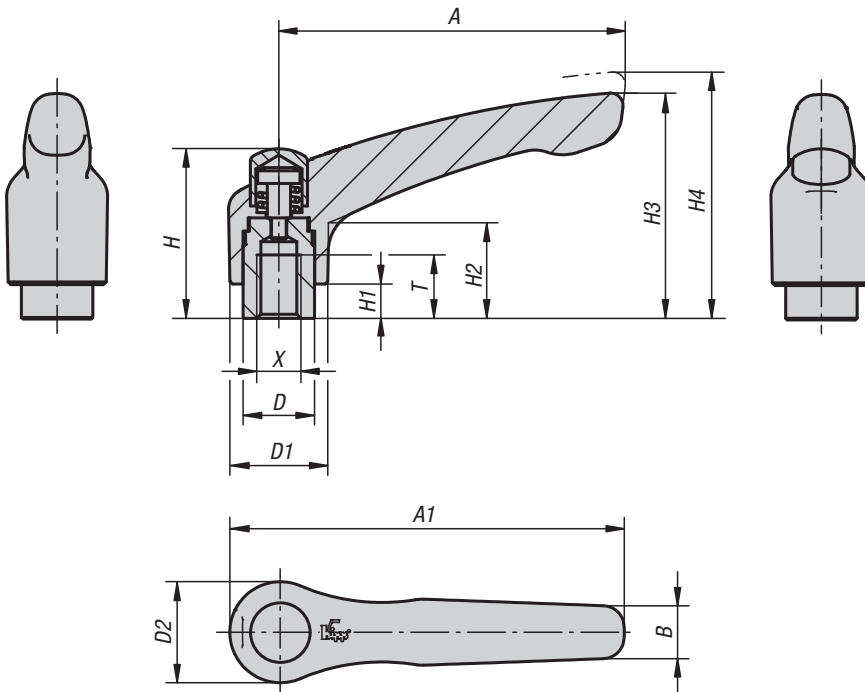
Item No. black	Item No. orange	Size	X	L
K0123.92061X	K0123.92062X	2	M6	15/20/25/30/40/50/60
K0123.92081X	K0123.92082X	2	M8	15/20/25/30/40/50/60
K0123.92101X	K0123.92102X	2	M10	20/25/30/40/50/60
K0123.93081X	K0123.93082X	3	M8	20/25/30/40/50/60
K0123.93101X	K0123.93102X	3	M10	20/25/30/40/50/60

# Adjustable Handles with protective cap

Modern Design Style, Zinc, inserts and internal components in stainless steel, internal thread



INCH Parts  
METRIC Parts



**Material:**

Handle die-cast zinc, DIN EN 12844.  
Steel parts and cap stainless steel 1.4305 (AISI 303 equivalent).

**Type:**

Handle powder-coated.  
Stainless steel parts bright.

**Part Number Example:**

K0123.92A21

**Note:**

For the inch series, dimension X is in inches, all other dimensions are in mm.  
Standard colors are:  
black satin finish, orange RAL 2004.

**On request:**

Other threads, colors and special versions.  
Dimension "H1" can available in other lengths at an additional charge.

lift to disengage



## Adjustable Handles with protective cap

Modern Design Style, Zinc, inserts and internal components in stainless steel, internal thread

### KIPP Adjustable Handles with protective cap, inserts and internal components in stainless steel, internal thread, inch

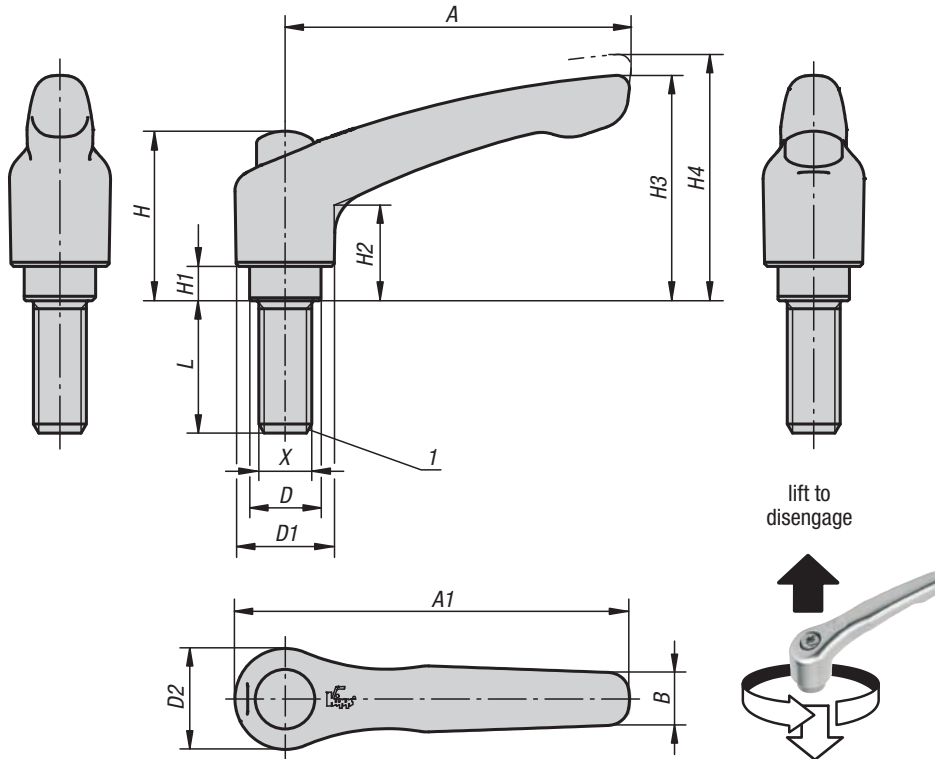
Item No. black	Item No. orange	X	A	A1	B	D	D1	D2	H	H1	H2	H3	H4	T	No. of teeth
K0123.92A21	K0123.92A22	1/4-20	65	74,5	9,5	13,5	18,5	19	32	6,5	17,5	42,5	45,5	12	20
K0123.92A31	K0123.92A32	5/16-18	65	74,5	9,5	13,5	18,5	19	32	6,5	17,5	42,5	45,5	12	20
K0123.93A31	K0123.93A32	5/16-18	80	91	11	16	21	22	41,5	10	24	54,5	58,5	14	22
K0123.93A41	K0123.93A42	3/8-16	80	91	11	16	21	22	41,5	10	24	54,5	58,5	14	22

### KIPP Adjustable Handles with protective cap, inserts and internal components in stainless steel, internal thread, metric

Item No. black	Item No. orange	X	A	A1	B	D	D1	D2	H	H1	H2	H3	H4	T	No. of teeth
K0123.92061	K0123.92062	M6	65	74,5	9,5	13,5	18,5	19	-	6,5	17,5	42,5	45,5	12	20
K0123.92081	K0123.92082	M8	65	74,5	9,5	13,5	18,5	19	-	6,5	17,5	42,5	45,5	12	20
K0123.93081	K0123.93082	M8	80	91	11	16	21	22	37	10	24	54,5	58,5	14	22
K0123.93101	K0123.93102	M10	80	91	11	16	21	22	37	10	24	54,5	58,5	14	22

## Adjustable Handles with protective cap

Modern Design Style, stainless steel, external thread



**Material:**

Handle investment cast stainless steel 1.4308 (AISI "316" equivalent).  
All other stainless steel parts 1.4305 (AISI 303 equivalent).

**Type:**

Handle electropolished.  
Stainless steel parts bright.

**Part Number Example:**

K0124.92A2X15  
(include length L)

**Note:**

For the inch series, dimension X is in inches, all other dimensions are in mm.

**On request:**

Other threads, screw lengths and special versions.  
Dimension "H1" available in other lengths at an additional charge.

**Drawing reference:**

1) flat point DIN 78

### KIPP Adjustable Handles with protective cap, Modern Design Style, stainless steel, external thread, inch

Item No.	Size	X	D	D1	D2	H	H1	H2	H3	H4	A	A1	B	No. of teeth	L
K0124.92A2X	2	1/4-20	13,5	18,5	19	32	6,5	17,5	42,5	45,5	65	74,5	10	10	15/20/25/30/40/50/60
K0124.92A3X	2	5/16-18	13,5	18,5	19	32	6,5	17,5	42,5	45,5	65	74,5	10	10	15/20/25/30/40/50/60
K0124.92A4X	2	3/8-16	13,5	18,5	19	32	6,5	17,5	42,5	45,5	65	74,5	10	10	20/25/30/40/50/60
K0124.93A3X	3	5/16-18	16	21	22	41,5	10	24	54,5	58,5	80	91	11	11	20/25/30/40/50/60
K0124.93A4X	3	3/8-16	16	21	22	41,5	10	24	54,5	58,5	80	91	11	11	20/25/30/40/50/60

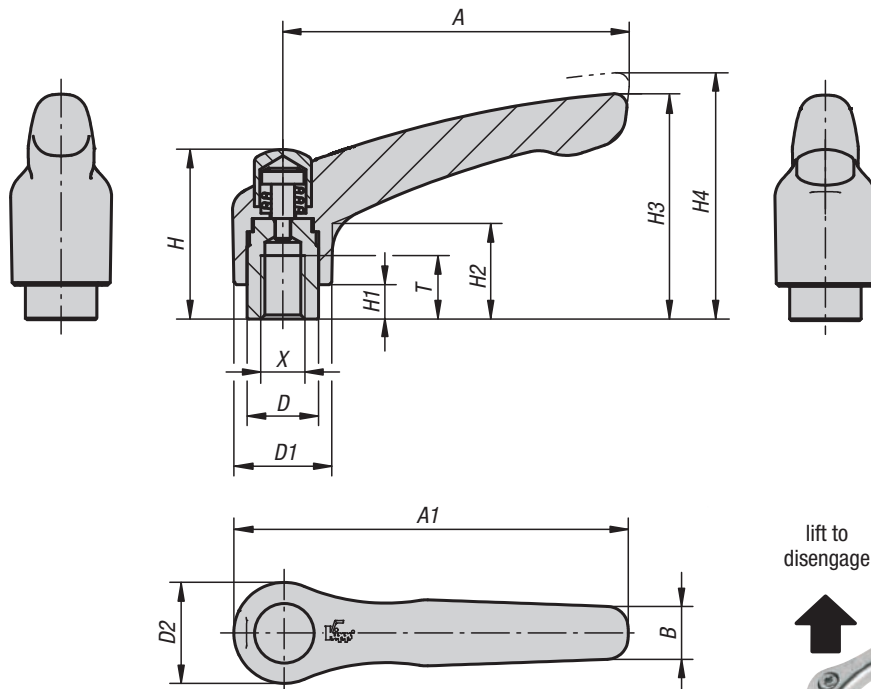
### KIPP Adjustable Handles with protective cap, Modern Design Style, stainless steel, external thread, metric

Item No.	Size	X	D	D1	D2	H	H1	H2	H3	H4	A	A1	B	No. of teeth	L
K0124.9206X	2	M6	13,5	18,5	19	32	6,5	17,5	42,5	45,5	65	74,5	10	20	15/20/25/30/40/50/60
K0124.9208X	2	M8	13,5	18,5	19	32	6,5	17,5	42,5	45,5	65	74,5	10	20	15/20/25/30/40/50/60
K0124.9210X	2	M10	13,5	18,5	19	32	6,5	17,5	42,5	45,5	65	74,5	10	20	20/25/30/40/50/60
K0124.9308X	3	M8	16	21	22	41,5	10	24	54,5	58,5	80	91	11	22	20/25/30/40/50/60
K0124.9310X	3	M10	16	21	22	41,5	10	24	54,5	58,5	80	91	11	22	20/25/30/40/50/60



## Adjustable Handles with protective cap

Modern Design Style, stainless steel, internal thread



**Material:**

Handle investment cast stainless steel 1.4308 (AISI "316" equivalent).  
All other stainless steel parts 1.4305 (AISI 303 equivalent).

**Type:**

Handle electropolished.  
Stainless steel parts bright.

**Part Number Example:**

K0124.92A2

**Note:**

For the inch series, dimension X is in inches, all other dimensions are in mm.

**On request:**

Other threads and special versions.  
Dimension "H1" available in other lengths at an additional charge.

**KIPP Adjustable Handles with protective cap, Modern Design Style, stainless steel, internal thread, inch**

Item No.	Size	X	T	D	D1	D2	H	H1	H2	H3	H4	A	A1	B	No. of teeth
K0124.92A2	2	1/4-20	12	13,5	18,5	19	32	6,5	17,5	42,5	45,5	65	74,5	10	10
K0124.92A3	2	5/16-18	12	13,5	18,5	19	32	6,5	17,5	42,5	45,5	65	74,5	10	10
K0124.93A3	3	5/16-18	14	16	21	22	41,5	10	24	54,5	58,5	80	91	11	11
K0124.93A4	3	3/8-16	14	16	21	22	41,5	10	24	54,5	58,5	80	91	11	11

**KIPP Adjustable Handles with protective cap, Modern Design Style, stainless steel, internal thread, metric**

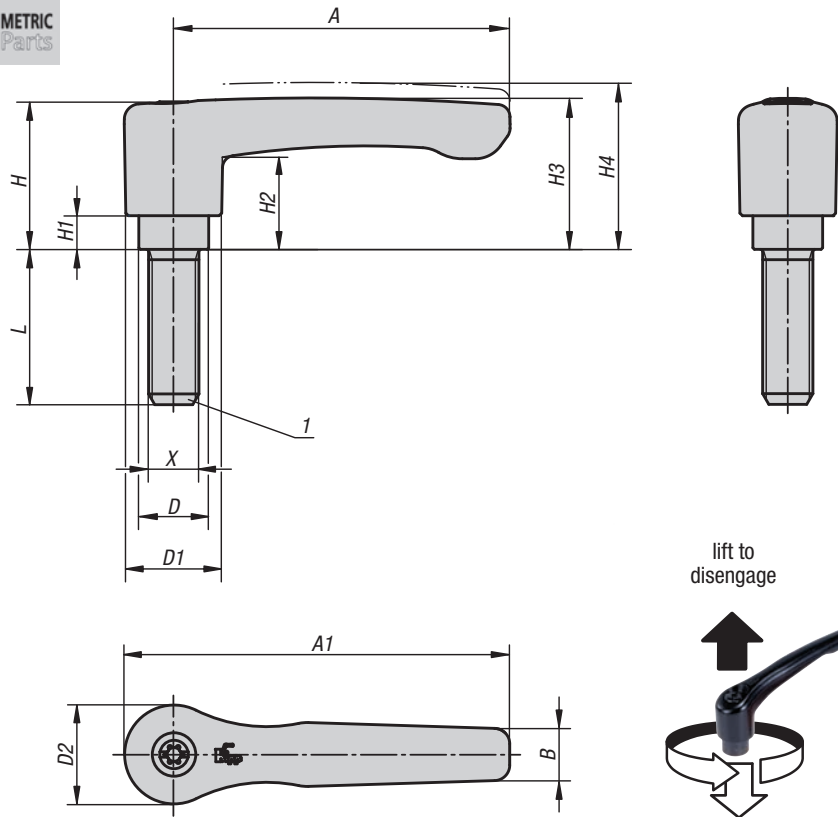
Item No.	Size	X	T	D	D1	D2	H	H1	H2	H3	H4	A	A1	B	No. of teeth
K0124.9206	2	M6	12	13,5	18,5	19	32	6,5	17,5	42,5	45,5	65	74,5	10	20
K0124.9208	2	M8	12	13,5	18,5	19	32	6,5	17,5	42,5	45,5	65	74,5	10	20
K0124.9308	3	M8	14	16	21	22	41,5	10	24	54,5	58,5	80	91	11	22
K0124.9310	3	M10	14	16	21	22	41,5	10	24	54,5	58,5	80	91	11	22

## Adjustable Handles straight

inserts and internal components steel, external thread



INCH Parts  
METRIC Parts



**Material:**  
Handle die-cast zinc DIN EN 12844.  
Steel parts quality class 5.8.

**Type:**  
Handle powder-coated.  
Steel parts black oxide finish.

**Part Number Example:**  
K0737.2061X15 (include length L)

**Note:**  
For the inch series, dimension X is in inches, all other dimensions are in mm.  
Standard colors are:  
black satin finish, orange RAL 2004.  
Where L ≥ 60 mm the thread length is 60 mm.

**On request:**  
Other threads, screw lengths, colors and special versions.  
Dimension "H1" available in other lengths at an additional charge.

**Drawing reference:**  
1) flat point DIN 78

### KIPP Specifications

Size	X	D	D1	D2	H	H1	H2	H3	H4	A	A1	B	No. of teeth
2	1/4-20 ; 5/16-18 ; 3/8-16	13,5	18,5	19,1	28,5	6,5	17,8	29,2	32,2	65	74,5	10,1	20
3	5/16-18 ; 3/8-16	16	21,2	22	37	10	23,8	38	42	80	91	11,7	22
2	M6 ; M8 ; M10	13,5	18,5	19,1	28,5	6,5	17,8	29,2	32,2	65	74,5	10,1	20
3	M8 ; M10	16	21,2	22	37	10	23,8	38	42	80	91	11,7	22

### KIPP Adjustable Handles straight, external thread, inch

Item No. black	Item No. orange	Size	X	L
K0737.2A21X	K0737.2A22X	2	1/4-20	15/20/25/30/35/40/45/50/55/60
K0737.2A31X	K0737.2A32X	2	5/16-18	15/20/25/30/35/40/45/50/55/60
K0737.2A41X	K0737.2A42X	2	3/8-16	15/20/25/30/35/40/45/50/55/60
K0737.3A31X	K0737.3A32X	3	5/16-18	15/20/25/30/35/40/45/50/55/60
K0737.3A41X	K0737.3A42X	3	3/8-16	15/20/25/30/35/40/45/50/55/60

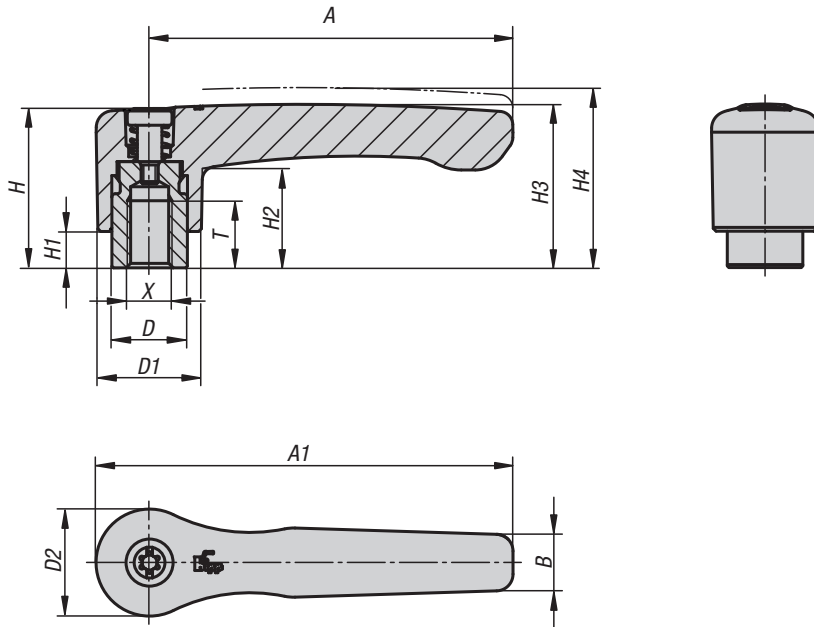
### KIPP Adjustable Handles straight, external thread, metric

Item No. black	Item No. orange	Size	X	L
K0737.2061X	K0737.2062X	2	M6	15/20/25/30/35/40/45/50/55/60
K0737.2081X	K0737.2082X	2	M8	15/20/25/30/35/40/45/50/55/60
K0737.2101X	K0737.2102X	2	M10	15/20/25/30/35/40/45/50/55/60
K0737.3081X	K0737.3082X	3	M8	15/20/25/30/35/40/45/50/55/60
K0737.3101X	K0737.3102X	3	M10	15/20/25/30/35/40/45/50/55/60

## Adjustable Handles straight

inserts and internal components steel, internal thread

INCH Parts    METRIC Parts



**Material:**

Handle die-cast zinc DIN EN 12844.  
Steel parts quality class 5.8.

**Type:**

Handle powder-coated.  
Steel parts black oxide finish.

**Part Number Example:**

K0737.2061

**Note:**

For the inch series, dimension X is in inches, all other dimensions are in mm.  
Standard colors are:  
black satin finish, orange RAL 2004.

**On request:**

Other internal threads, colors and special versions.  
Dimension "H1" available in other lengths at an additional charge.



### KIPP Adjustable Handles straight, internal thread, inch

Item No. black	Item No. orange	Size	X	T	D	D2	D2	H	H1	H2	H3	H4	A	A1	B	No. of teeth
K0737.2A21	K0737.2A22	2	1/4-20	12	13,5	18,5	19,1	28,5	6,5	17,8	29,2	32,2	65	74,5	10,1	20
K0737.2A31	K0737.2A32	2	5/16-18	12	13,5	18,5	19,1	28,5	6,5	17,8	29,2	32,2	65	74,5	10,1	20
K0737.3A31	K0737.3A32	3	5/16-18	14	16	21,2	22	37	10	23,8	38	42	80	91	11,7	22
K0737.3A41	K0737.3A42	3	3/8-16	14	16	21,2	22	37	10	23,8	38	42	80	91	11,7	22

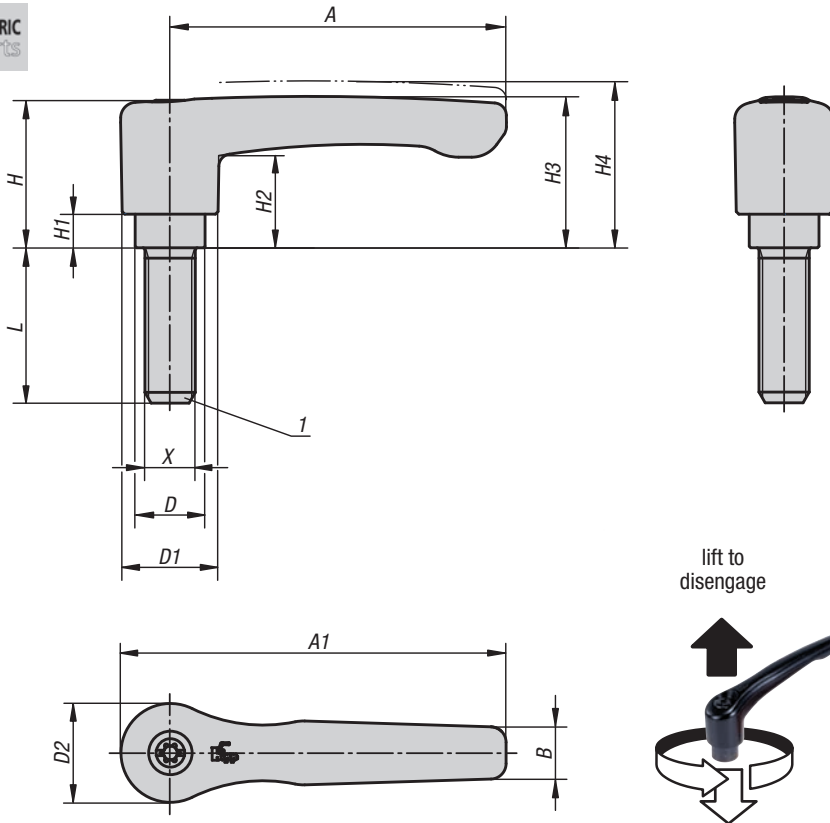
### KIPP Adjustable Handles straight, internal thread, metric

Item No. black	Item No. orange	Size	X	T	D	D2	D2	H	H1	H2	H3	H4	A	A1	B	No. of teeth
K0737.2061	K0737.2062	2	M6	12	13,5	18,5	19,1	28,5	6,5	17,8	29,2	32,2	65	74,5	10,1	20
K0737.2081	K0737.2082	2	M8	12	13,5	18,5	19,1	28,5	6,5	17,8	29,2	32,2	65	74,5	10,1	20
K0737.3081	K0737.3082	3	M8	14	16	21,2	22	37	10	23,8	38	42	80	91	11,7	22
K0737.3101	K0737.3102	3	M10	14	16	21,2	22	37	10	23,8	38	42	80	91	11,7	22

## Adjustable Handles straight

bolts and internal components stainless steel, external thread

INCH Parts  
METRIC Parts



**Material:**

Handle die-cast zinc DIN EN 12844.  
Steel parts stainless steel 1.4305 (AISI 303 equivalent).

**Type:**

Handle powder-coated.  
Stainless steel parts bright.

**Part Number Example:**

K0738.2061X15 (include length L)

**Note:**

For the inch series, dimension X is in inches, all other dimensions are in mm.  
Standard colors are:  
black satin finish, orange RAL 2004.  
Where L ≥ 60 mm the thread length is 60 mm.

**On request:**

Other threads, screw lengths, colors and special versions.  
Dimension "H1" available in other lengths at an additional charge.

**Drawing reference:**

1) flat point DIN 78

**KIPP Specifications**

Size	X	D	D1	D2	H	H1	H2	H3	H4	A	A1	B	No. of teeth
2	1/4-20 ; 5/16-18 ; 3/8-16	13,5	18,5	19,1	28,5	6,5	17,8	29,2	32,2	65	74,5	10,1	20
3	5/16-18 ; 3/8-16	16	21,2	22	37	10	23,8	38	42	80	91	11,7	22
2	M6 ; M8 ; M10	13,5	18,5	19,1	28,5	6,5	17,8	29,2	32,2	65	74,5	10,1	20
3	M8 ; M10	16	21,2	22	37	10	23,8	38	42	80	91	11,7	22

**KIPP Adjustable Handles straight, external thread, stainless steel, inch**

Item No. black	Item No. orange	Size	X	L
K0738.2A21X	K0738.2A22X	2	1/4-20	15/20/25/30/40/50/60
K0738.2A31X	K0738.2A32X	2	5/16-18	15/20/25/30/40/50/60
K0738.2A41X	K0738.2A42X	2	3/8-16	20/25/30/40/50/60
K0738.3A31X	K0738.3A32X	3	5/16-18	20/25/30/40/50/60
K0738.3A41X	K0738.3A42X	3	3/8-16	20/25/30/40/50/60

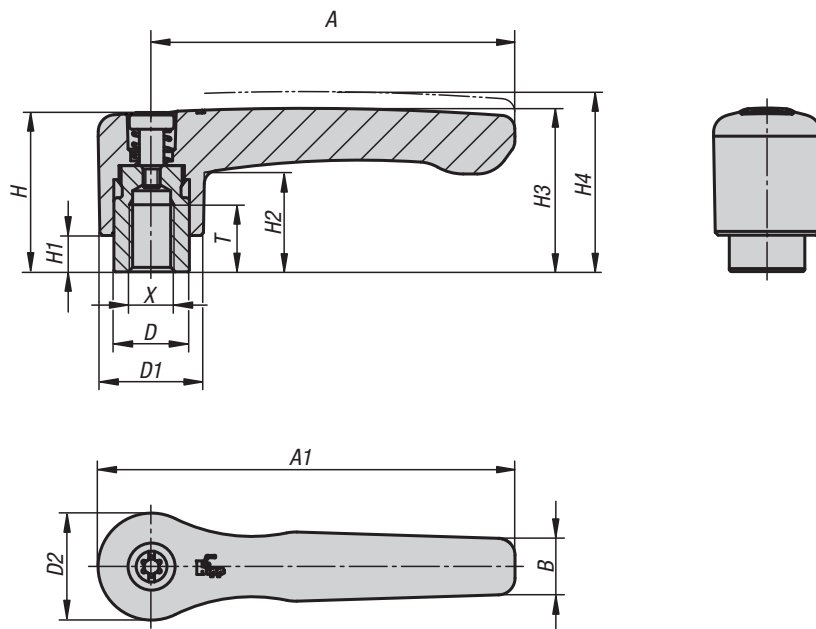
**KIPP Adjustable Handles straight, external thread, stainless steel, metric**

Item No. black	Item No. orange	Size	X	L
K0738.2061X	K0738.2062X	2	M6	15/20/25/30/40/50/60
K0738.2081X	K0738.2082X	2	M8	15/20/25/30/40/50/60
K0738.2101X	K0738.2102X	2	M10	20/25/30/40/50/60
K0738.3081X	K0738.3082X	3	M8	20/25/30/40/50/60
K0738.3101X	K0738.3102X	3	M10	20/25/30/40/50/60

## Adjustable Handles straight

inserts and internal components stainless steel, internal thread

INCH Parts  
METRIC Parts



**Material:**

Handle die-cast zinc DIN EN 12844.  
Steel parts stainless steel 1.4305 (AISI 303 equivalent).

**Type:**

Handle powder-coated.  
Stainless steel parts bright.

**Part Number Example:**

K0738.2061

**Note:**

For the inch series, dimension X is in inches, all other dimensions are in mm.  
Standard colors are:  
black satin finish, orange RAL 2004.

**On request:**

Other internal threads, colors and special versions.  
Dimension "H1" available in other lengths at an additional charge.



### KIPP Adjustable Handles straight, internal thread, stainless steel, inch

Item No. black	Item No. orange	Size	X	T	D	D1	D2	H	H1	H2	H3	H4	A	A1	B	No. of teeth
K0738.2A21	K0738.2A22	2	1/4-20	12	13,5	18,5	19,1	28,5	6,5	17,8	29,2	32,2	65	74,5	10,1	20
K0738.2A31	K0738.2A32	2	5/16-18	12	13,5	18,5	19,1	28,5	6,5	17,8	29,2	32,2	65	74,5	10,1	20
K0738.3A31	K0738.3A32	3	5/16-18	14	16	21,2	22	37	10	23,8	38	42	80	91	11,7	22
K0738.3A41	K0738.3A42	3	3/8-16	14	16	21,2	22	37	10	23,8	38	42	80	91	11,7	22

### KIPP Adjustable Handles straight, internal thread, stainless steel, metric

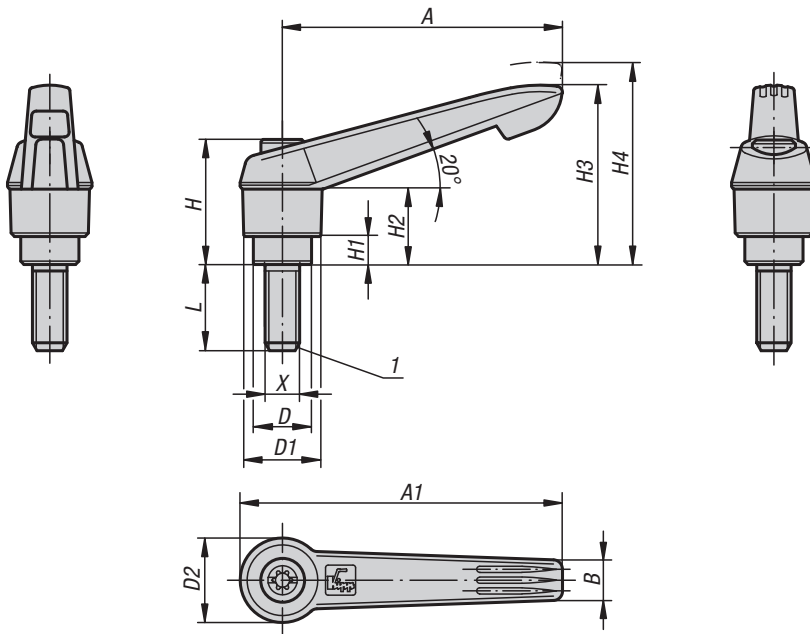
Item No. black	Item No. orange	Size	X	T	D	D1	D2	H	H1	H2	H3	H4	A	A1	B	No. of teeth
K0738.2061	K0738.2062	2	M6	12	13,5	18,5	19,1	28,5	6,5	17,8	29,2	32,2	65	74,5	10,1	20
K0738.2081	K0738.2082	2	M8	12	13,5	18,5	19,1	28,5	6,5	17,8	29,2	32,2	65	74,5	10,1	20
K0738.3081	K0738.3082	3	M8	14	16	21,2	22	37	10	23,8	38	42	80	91	11,7	22
K0738.3101	K0738.3102	3	M10	14	16	21,2	22	37	10	23,8	38	42	80	91	11,7	22

## Adjustable Handles

Modern Design Style, plastic, bolts and internal components in steel, external thread



INCH Parts    METRIC Parts



**Material:**

Handle fiberglass reinforced plastic with die-cast zinc toothed ring.  
Steel parts quality class 5.8.

**Type:**

Steel parts black oxide finish.

**Part Number Example:**

K0269.1A01X10  
(handle black gray;  
include length L)

**Note:**

Δ Add the desired handle color here.

For the inch series, dimension X is in inches, all other dimensions are in mm.

Where  $L \geq 60$  mm the thread length is always 60 mm.

**On request:**

Other threads, screw lengths and special versions.

Dimension "H1" available in other lengths at an additional charge.

**Drawing reference:**

1) flat point DIN 78

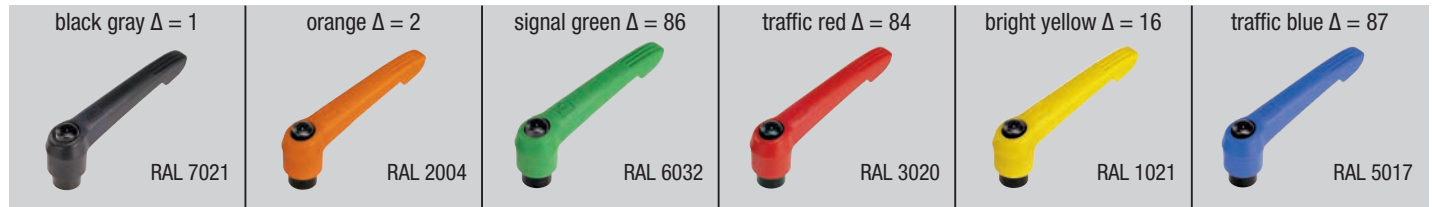
lift to  
disengage





## Adjustable Handles

Modern Design Style, plastic, bolts and internal components in steel, external thread



### KIPP Adjustable Handles, Modern Design Style, with external thread, components in steel, inch

Item No.	Size	X	D	D1	D2	H	H1	H2	H3	H4	A	A1	B	No. of teeth	L
K0269.1A0ΔX	1	10-24	10	13	14,5	24,5	4	15	30	33,5	40	47	7,5	16	10/15/20/25/30/35/40/45/50
K0269.1A1ΔX	1	10-32	10	13	14,5	24,5	4	15	30	33,5	40	47	7,5	16	10/15/20/25/30/35/40/45/50
K0269.1A2ΔX	1	1/4-20	10	13	14,5	24,5	4	15	30	33,5	40	47	7,5	16	10/15/20/25/30/35/40/45/50
K0269.2A2ΔX	2	1/4-20	13,5	18	19,5	28,5	6,5	17,5	41,5	45,5	65	75	9,5	20	15/20/25/30/35/40/45/50/55/60
K0269.2A3ΔX	2	5/16-18	13,5	18	19,5	28,5	6,5	17,5	41,5	45,5	65	75	9,5	20	15/20/25/30/35/40/45/50/55/60
K0269.2A4ΔX	2	3/8-16	13,5	18	19,5	28,5	6,5	17,5	41,5	45,5	65	75	9,5	20	15/20/25/30/35/40/45/50/55/60
K0269.3A3ΔX	3	5/16-18	16	21,5	23	37	10	24	53,5	58	80	91,5	11	22	15/20/25/30/35/40/45/50/55/60
K0269.3A4ΔX	3	3/8-16	16	21,5	23	37	10	24	53,5	58	80	91,5	11	22	15/20/25/30/35/40/45/50/55/60
K0269.4A4ΔX	4	3/8-16	19	25,5	27,5	43	10	26	61	66	95	109	13	24	20/25/30/35/40/45/50/55/60/70/80/90
K0269.4A5ΔX	4	1/2-13	19	25,5	27,5	43	10	26	61	66	95	109	13	24	20/25/30/35/40/45/50/55/60/70/80/90
K0269.5A5ΔX	5	1/2-13	23	30	32,5	49	12	33	72	77	110	126	15,5	26	25/30/35/40/45/50/55/60/70/80/90
K0269.5A6ΔX	5	5/8-11	23	30	32,5	49	12	33	72	77	110	126	15,5	26	25/30/35/40/45/50/55/60/70/80/90

### KIPP Adjustable Handles, Modern Design Style, with external thread, components in steel, metric

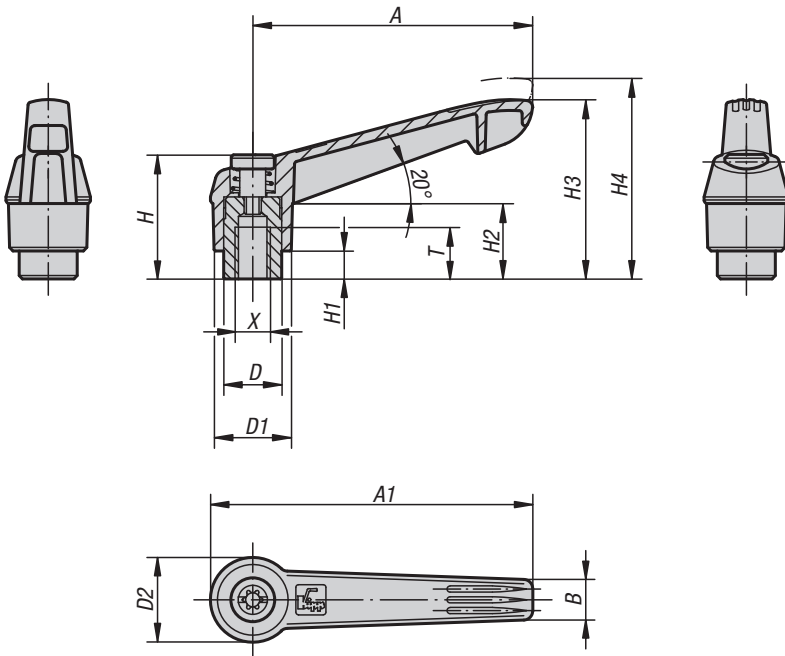
Item No.	Size	X	D	D1	D2	H	H1	H2	H3	H4	A	A1	B	No. of teeth	L
K0269.105ΔX	1	M5	10	13	14,5	24,5	4	15	30	33,5	40	47	7,5	16	10/15/20/25/30/35/40/45/50
K0269.106ΔX	1	M6	10	13	14,5	24,5	4	15	30	33,5	40	47	7,5	16	10/15/20/25/30/35/40/45/50
K0269.206ΔX	2	M6	13,5	18	19,5	28,5	6,5	17,5	41,5	45,5	65	75	9,5	20	15/20/25/30/35/40/45/50/55/60
K0269.208ΔX	2	M8	13,5	18	19,5	28,5	6,5	17,5	41,5	45,5	65	75	9,5	20	15/20/25/30/35/40/45/50/55/60
K0269.210ΔX	2	M10	13,5	18	19,5	28,5	6,5	17,5	41,5	45,5	65	75	9,5	20	15/20/25/30/35/40/45/50/55/60
K0269.308ΔX	3	M8	16	21,5	23	37	10	24	53,5	58	80	91,5	11	22	15/20/25/30/35/40/45/50/55/60
K0269.310ΔX	3	M10	16	21,5	23	37	10	24	53,5	58	80	91,5	11	22	15/20/25/30/35/40/45/50/55/60
K0269.410ΔX	4	M10	19	25,5	27,5	43	10	26	61	66	95	109	13	24	20/25/30/35/40/45/50/55/60/70/80/90
K0269.412ΔX	4	M12	19	25,5	27,5	43	10	26	61	66	95	109	13	24	20/25/30/35/40/45/50/55/60/70/80/90
K0269.512ΔX	5	M12	23	30	32,5	49	12	33	72	77	110	126	15,5	26	25/30/35/40/45/50/55/60/70/80/90
K0269.516ΔX	5	M16	23	30	32,5	49	12	33	72	77	110	126	15,5	26	25/30/35/40/45/50/55/60/70/80/90

## Adjustable Handles

Modern Design Style, plastic, inserts and internal components steel, internal thread



INCH Parts  
METRIC Parts



**Material:**

Handle fiberglass reinforced plastic with die-cast zinc toothed ring.  
Steel parts quality class 5.8.

**Type:**

Steel parts black oxide finish.

**Part Number Example:**

K0269.1AE86 (handle color signal green)  
Δ Add the desired handle color here.

**Note:**

For the inch series, dimension X is in inches, all other dimensions are in mm.

**On request:**

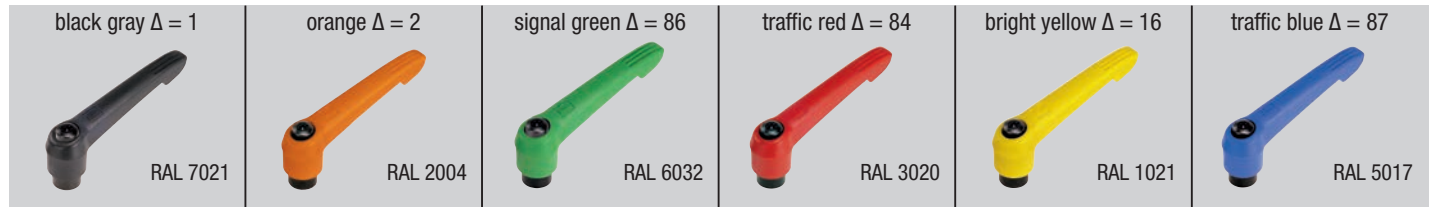
Other threads and special versions.  
Dimension "H1" available in other lengths at an additional charge.

lift to  
disengage



## Adjustable Handles

Modern Design Style, plastic, inserts and internal components steel, internal thread



### KIPP Adjustable Handles, Modern Design Style, with internal thread, components in steel, inch

Item No.	Size	X	T	D	D1	D2	H	H1	H2	H3	H4	A	A1	B	No. of teeth
K0269.1A $\Delta$	1	8-32	9	10	13	14,5	24,5	4	15	30	33,5	40	47	7,5	16
K0269.1A0 $\Delta$	1	10-24	9	10	13	14,5	24,5	4	15	30	33,5	40	47	7,5	16
K0269.1A1 $\Delta$	1	10-32	9	10	13	14,5	24,5	4	15	30	33,5	40	47	7,5	16
K0269.1A2 $\Delta$	1	1/4-20	9	10	13	14,5	24,5	4	15	30	33,5	40	47	7,5	16
K0269.2A2 $\Delta$	2	1/4-20	12	13,5	18	19,5	28,5	6,5	17,5	41,5	45,5	65	75	9,5	20
K0269.2A3 $\Delta$	2	5/16-18	12	13,5	18	19,5	28,5	6,5	17,5	41,5	45,5	65	75	9,5	20
K0269.3A3 $\Delta$	3	5/16-18	14	16	21,5	23	37	10	24	53,5	58	80	91,5	11	22
K0269.3A4 $\Delta$	3	3/8-16	14	16	21,5	23	37	10	24	53,5	58	80	91,5	11	22
K0269.4A4 $\Delta$	4	3/8-16	17	19	25,5	27,5	43	10	26	61	66	95	109	13	24
K0269.4A5 $\Delta$	4	1/2-13	17	19	25,5	27,5	43	10	26	61	66	95	109	13	24
K0269.5A5 $\Delta$	5	1/2-13	23	23	30	32,5	49	12	33	72	77	110	126	15,5	26
K0269.5A6 $\Delta$	5	5/8-11	23	23	30	32,5	49	12	33	72	77	110	126	15,5	26

### KIPP Adjustable Handles, Modern Design Style with internal thread, components in steel, metric

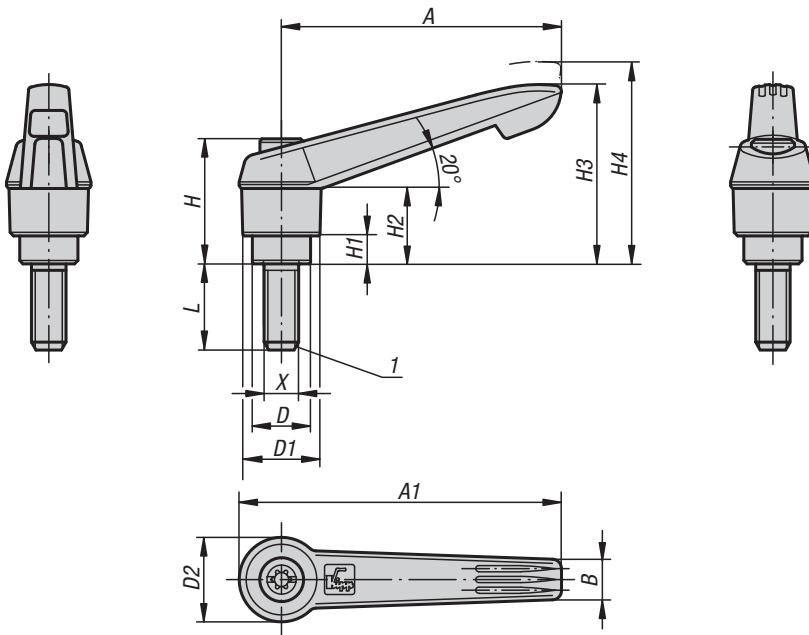
Item No.	X	A	A1	B	D	D1	D2	H	H1	H2	H3	H4	T	No. of teeth
K0269.104 $\Delta$	M4	40	47	7,5	10	13	14,5	24,5	4	15	30	33,5	9	16
K0269.105 $\Delta$	M5	40	47	7,5	10	13	14,5	24,5	4	15	30	33,5	9	16
K0269.106 $\Delta$	M6	40	47	7,5	10	13	14,5	24,5	4	15	30	33,5	9	16
K0269.206 $\Delta$	M6	65	75	9,5	13,5	18	19,5	28,5	6,5	17,5	41,5	45,5	12	20
K0269.208 $\Delta$	M8	65	75	9,5	13,5	18	19,5	28,5	6,5	17,5	41,5	45,5	12	20
K0269.308 $\Delta$	M8	80	91,5	11	16	21,5	23	37	10	24	53,5	58	14	22
K0269.310 $\Delta$	M10	80	91,5	11	16	21,5	23	37	10	24	53,5	58	14	22
K0269.410 $\Delta$	M10	95	109	13	19	25,5	27,5	43	10	26	61	66	17	24
K0269.412 $\Delta$	M12	95	109	13	19	25,5	27,5	43	10	26	61	66	17	24
K0269.512 $\Delta$	M12	110	126	15,5	23	30	32,5	49	12	33	72	77	23	26
K0269.516 $\Delta$	M16	110	126	15,5	23	30	32,5	49	12	33	72	77	23	26

## Adjustable Handles

Modern Design Style, plastic, bolts and internal components in stainless steel, external thread



INCH Parts  
METRIC Parts



**Material:**

Handle fiberglass reinforced plastic with die-cast zinc toothed ring.  
Steel parts stainless steel 1.4305 (AISI 303 equivalent).

**Type:**

Stainless steel parts bright.

**Part Number Example:**

K0270.1A01X15  
(handle black gray;  
include length L)

**Note:**

Δ Add the desired handle color here.  
For the inch series, dimension X is in inches, all other dimensions are in mm.  
Where  $L \geq 60$  mm the thread length is always 60 mm.

**On request:**

Other threads, screw lengths and special versions.  
Dimension "H1" available in other lengths at an additional charge.

**Drawing reference:**

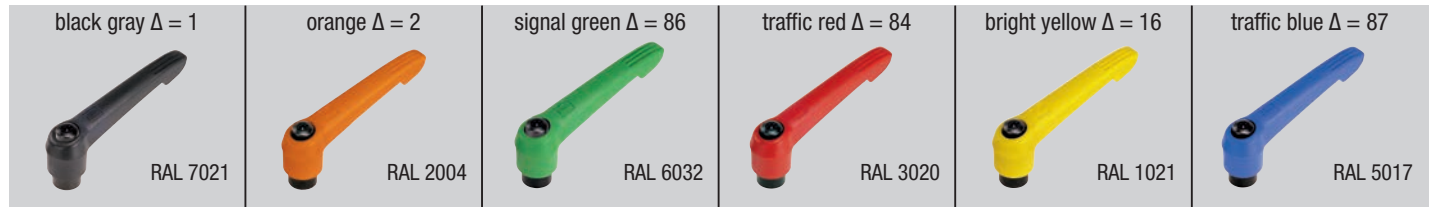
1) flat point DIN 78

lift to  
disengage



# Adjustable Handles

Modern Design Style, plastic, bolts and internal components in stainless steel, external thread



## KIPP Adjustable Handles, Modern Design Style, external thread, components in stainless steel, inch

Item No.	Size	X	D	D1	D2	H	H1	H2	H3	H4	A	A1	B	No. of teeth	L
K0270.1A0ΔX	1	10-24	10	13	14,5	24,5	4	15	30	33,5	40	47	7,5	16	15/20/25
K0270.1A1ΔX	1	10-32	10	13	14,5	24,5	4	15	30	33,5	40	47	7,5	16	15/20/25
K0270.1A2ΔX	1	1/4-20	10	13	14,5	24,5	4	15	30	33,5	40	47	7,5	16	10/15/20/25/30/40/50
K0270.2A2ΔX	2	1/4-20	13,5	18	19,5	28,5	6,5	17,5	41,5	45,5	65	75	9,5	20	15/20/25/30/40/50/60
K0270.2A3ΔX	2	5/16-18	13,5	18	19,5	28,5	6,5	17,5	41,5	45,5	65	75	9,5	20	15/20/25/30/40/50/60
K0270.2A4ΔX	2	3/8-16	13,5	18	19,5	28,5	6,5	17,5	41,5	45,5	65	75	9,5	20	20/25/30/40/50/60
K0270.3A3ΔX	3	5/16-18	16	21,5	23	37	10	24	53,5	58	80	91,5	11	22	20/25/30/40/50/60
K0270.3A4ΔX	3	3/8-16	16	21,5	23	37	10	24	53,5	58	80	91,5	11	22	20/25/30/40/50/60
K0270.4A5ΔX	4	1/2-13	19	25,5	27,5	43	10	26	61	66	95	109	13	24	25/30/40/50/60
K0270.5A6ΔX	5	5/8-11	23	30	32,5	49	12	33	72	77	110	126	15,5	26	30/40/50/60

## KIPP Adjustable Handles, Modern Design Style, external thread, components in stainless steel, metric

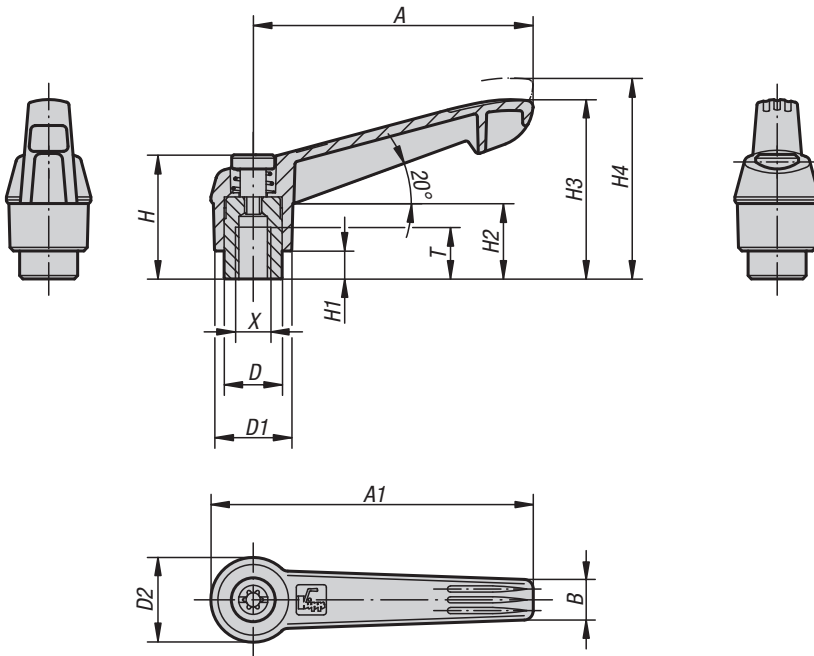
Item No.	Size	X	D	D1	D2	H	H1	H2	H3	H4	A	A1	B	No. of teeth	L
K0270.105ΔX	1	M5	10	13	14,5	24,5	4	15	30	33,5	40	47	7,5	16	10/15/20/25
K0270.106ΔX	1	M6	10	13	14,5	24,5	4	15	30	33,5	40	47	7,5	16	10/15/20/25/30/40/50
K0270.206ΔX	2	M6	13,5	18	19,5	28,5	6,5	17,5	41,5	45,5	65	75	9,5	20	15/20/25/30/40/50/60
K0270.208ΔX	2	M8	13,5	18	19,5	28,5	6,5	17,5	41,5	45,5	65	75	9,5	20	15/20/25/30/40/50/60
K0270.210ΔX	2	M10	13,5	18	19,5	28,5	6,5	17,5	41,5	45,5	65	75	9,5	20	20/25/30/40/50/60
K0270.308ΔX	3	M8	16	21,5	23	37	10	24	53,5	58	80	91,5	11	22	20/25/30/40/50/60
K0270.310ΔX	3	M10	16	21,5	23	37	10	24	53,5	58	80	91,5	11	22	20/25/30/40/50/60
K0270.412ΔX	4	M12	19	25,5	27,5	43	10	26	61	66	95	109	13	24	25/30/40/50/60
K0270.516ΔX	5	M16	23	30	32,5	49	12	33	72	77	110	126	15,5	26	30/40/50/60

## Adjustable Handles

Modern Design Style, plastic, inserts and internal components in stainless steel, internal thread



INCH Parts    METRIC Parts



**Material:**

Handle fiberglass reinforced plastic with die-cast zinc toothed ring.  
Steel parts stainless steel 1.4305 (AISI 303 equivalent).

**Type:**

Stainless steel parts bright.

**Part Number Example:**

K0270.1A086 (handle color signal green)  
Δ Add the desired handle color here.

**Note:**

For the inch series, dimension X is in inches, all other dimensions are in mm.

**On request:**

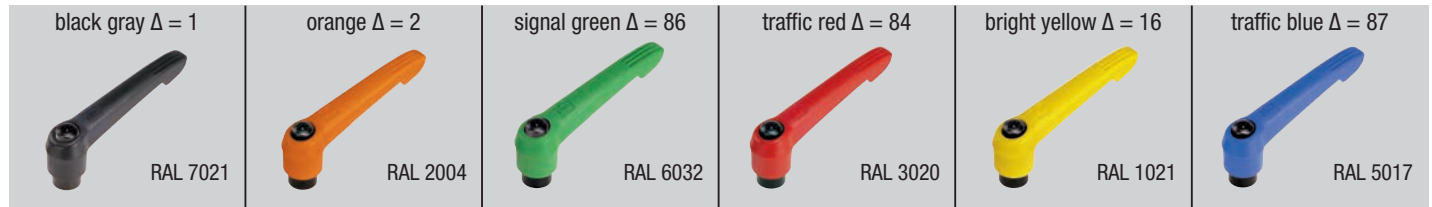
Other internal threads and special versions.  
Dimension "H1" available in other lengths at an additional charge.

lift to  
disengage



## Adjustable Handles

Modern Design Style, plastic, inserts and internal components in stainless steel, internal thread



### KIPP Adjustable Handles, Modern Design Style, internal thread, components in stainless steel, inch

Item No.	Size	X	T	D	D1	D2	H	H1	H2	H3	H4	A	A1	B	No. of teeth
K0270.1A0Δ	1	10-24	9	10	13	14,5	24,5	4	15	30	33,5	40	47	7,5	16
K0270.1A1Δ	1	10-32	9	10	13	14,5	24,5	4	15	30	33,5	40	47	7,5	16
K0270.1A2Δ	1	1/4-20	9	10	13	14,5	24,5	4	15	30	33,5	40	47	7,5	16
K0270.2A2Δ	2	1/4-20	12	13,5	18	19,5	28,5	6,5	17,5	41,5	45,5	65	75	9,5	20
K0270.2A3Δ	2	5/16-18	12	13,5	18	19,5	28,5	6,5	17,5	41,5	45,5	65	75	9,5	20
K0270.3A3Δ	3	5/16-18	14	16	21,5	23	37	10	24	53,5	58	80	91,5	11	22
K0270.3A4Δ	3	3/8-16	14	16	21,5	23	37	10	24	53,5	58	80	91,5	11	22
K0270.4A4Δ	4	3/8-16	17	19	25,5	27,5	43	10	26	61	66	95	109	13	24
K0270.4A5Δ	4	1/2-13	17	19	25,5	27,5	43	10	26	61	66	95	109	13	24
K0270.5A5Δ	5	1/2-13	23	23	30	32,5	49	12	33	72	77	110	126	15,5	26
K0270.5A6Δ	5	5/8-11	23	23	30	32,5	49	12	33	72	77	110	126	15,5	26

### KIPP Adjustable Handles, Modern Design Style, internal thread, components in stainless steel, metric

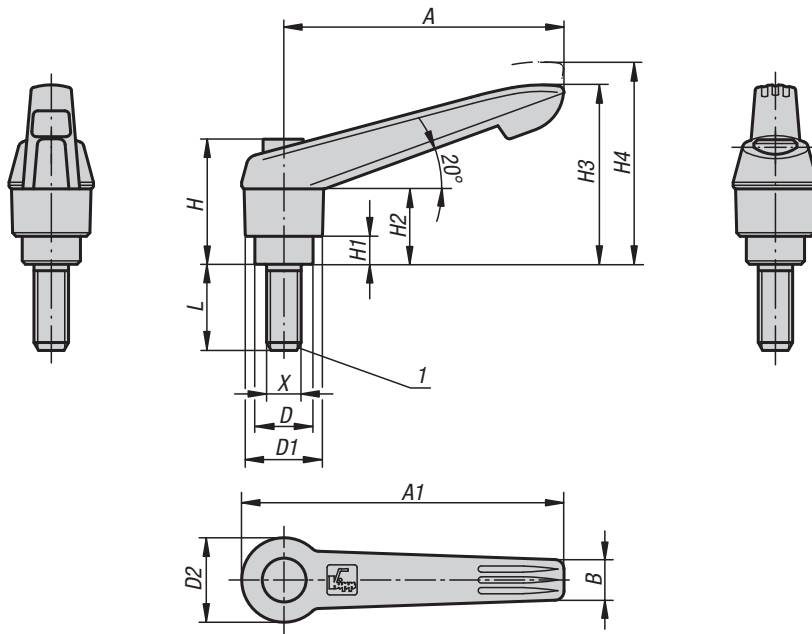
Item No.	X	A	A1	B	D	D1	D2	H	H1	H2	H3	H4	T	No. of teeth
K0270.104Δ	M4	40	47	7,5	10	13	14,5	24,5	4	15	30	33,5	9	16
K0270.105Δ	M5	40	47	7,5	10	13	14,5	24,5	4	15	30	33,5	9	16
K0270.106Δ	M6	40	47	7,5	10	13	14,5	24,5	4	15	30	33,5	9	16
K0270.206Δ	M6	65	75	9,5	13,5	18	19,5	28,5	6,5	17,5	41,5	45,5	12	20
K0270.208Δ	M8	65	75	9,5	13,5	18	19,5	28,5	6,5	17,5	41,5	45,5	12	20
K0270.308Δ	M8	80	91,5	11	16	21,5	23	37	10	24	53,5	58	14	22
K0270.310Δ	M10	80	91,5	11	16	21,5	23	37	10	24	53,5	58	14	22
K0270.410Δ	M10	95	109	13	19	25,5	27,5	43	10	26	61	66	17	24
K0270.412Δ	M12	95	109	13	19	25,5	27,5	43	10	26	61	66	17	24
K0270.512Δ	M12	110	126	15,5	23	30	32,5	49	12	33	72	77	23	26
K0270.516Δ	M16	110	126	15,5	23	30	32,5	49	12	33	72	77	23	26



## Adjustable Handles with push button

external thread

INCH Parts  
METRIC Parts



**Material:**

Handle fiberglass reinforced plastic, toothed ring die-cast zinc.  
Steel parts quality class 5.8.  
Push button plastic (POM).

**Type:**

Steel parts black oxide finish.

**Part Number Example:**

K0269.71105X10  
(handle black gray, push button traffic red. Include length L)

**Note:**

Δ Enter the desired handle color here.  
The standard colors are:  
Black gray handle, traffic red push button.  
Orange handle, black gray push button.  
Traffic red handle, black gray push button.  
For the inch series, dimension X is in inches, all other dimensions are in mm.  
Where  $L \geq 60$  mm the thread length is always 60 mm.

**On request:**

Other threads, screw lengths and special versions.  
Dimension "H1" available in other lengths at an additional charge.

**Drawing reference:**

1) flat point DIN 78



# Adjustable Handles with push button

external thread

## KIPP Adjustable Handles with push button, external thread, inch

Item No.	X	A	A1	B	D	D1	D2	H	H1	H2	H3	H4	No. of teeth	L
K0269.7Δ1A0X	10-24	40	47	7,5	10	13	14,5	25,5	4	15	30	33,5	16	10/15/20/25/30/35/40/45/50
K0269.7Δ1A1X	10-32	40	47	7,5	10	13	14,5	25,5	4	15	30	33,5	16	10/15/20/25/30/35/40/45/50
K0269.7Δ1A2X	1/4-20	40	47	7,5	10	13	14,5	25,5	4	15	30	33,5	16	10/15/20/25/30/35/40/45/50
K0269.7Δ2A2X	1/4-20	65	75	9,5	13,5	18	19,5	29,5	6,5	17,5	41,5	45,5	20	15/20/25/30/35/40/45/50/55/60
K0269.7Δ2A3X	5/16-18	65	75	9,5	13,5	18	19,5	29,5	6,5	17,5	41,5	45,5	20	15/20/25/30/35/40/45/50/55/60
K0269.7Δ2A4X	3/8-16	65	75	9,5	13,5	18	19,5	29,5	6,5	17,5	41,5	45,5	20	15/20/25/30/35/40/45/50/55/60
K0269.7Δ3A3X	5/16-18	80	91,5	11	16	21,5	23	38,5	10	24	53,5	58	22	15/25/20/30/35/40/45/50/55/60
K0269.7Δ3A4X	3/8-16	80	91,5	11	16	21,5	23	38,5	10	24	53,5	58	22	15/20/25/30/35/40/45/50/55/60
K0269.7Δ4A4X	3/8-16	95	109	13	19	25,5	27,5	44,6	10	26	61	66	24	20/25/30/35/40/50/55/45/60/70/80/90
K0269.7Δ4A5X	1/2-13	95	109	13	19	25,5	27,5	44,6	10	26	61	66	24	20/25/30/35/40/45/50/55/60/70/80/90
K0269.7Δ5A5X	1/2-13	110	126	15,5	23	30	32,5	50,6	12	33	72	77	26	25/30/35/40/45/50/55/60/70/80/90
K0269.7Δ5A6X	5/8-11	110	126	15,5	23	30	32,5	50,6	12	33	72	77	26	25/30/35/40/45/50/55/60/70/80/90

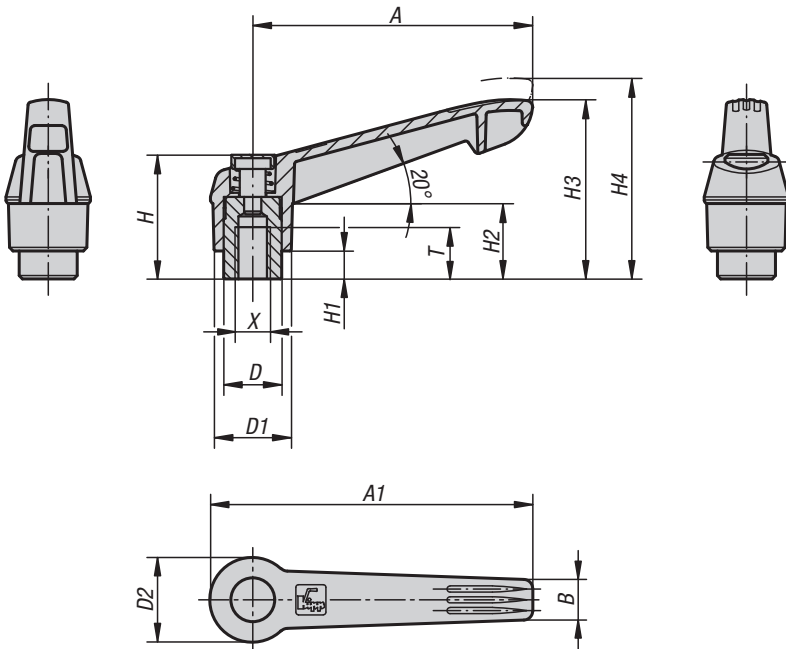
## KIPP Adjustable Handles with push button, external thread, metric

Item No.	X	A	A1	B	D	D1	D2	H	H1	H2	H3	H4	No. of teeth	L
K0269.7Δ105X	M5	40	47	7,5	10	13	14,5	25,5	4	15	30	33,5	16	10/15/20/25/30/35/40/45/50
K0269.7Δ106X	M6	40	47	7,5	10	13	14,5	25,5	4	15	30	33,5	16	10/15/20/25/30/35/40/45/50
K0269.7Δ206X	M6	65	75	9,5	13,5	18	19,5	29,5	6,5	17,5	41,5	45,5	20	15/20/25/30/35/40/45/50/55/60
K0269.7Δ208X	M8	65	75	9,5	13,5	18	19,5	29,5	6,5	17,5	41,5	45,5	20	15/20/25/30/35/40/45/50/55/60
K0269.7Δ210X	M10	65	75	9,5	13,5	18	19,5	29,5	6,5	17,5	41,5	45,5	20	15/20/25/30/35/40/45/50/55/60
K0269.7Δ308X	M8	80	91,5	11	16	21,5	23	38,5	10	24	53,5	58	22	15/20/25/30/35/40/45/50/55/60
K0269.7Δ310X	M10	80	91,5	11	16	21,5	23	38,5	10	24	53,5	58	22	15/20/25/30/35/40/45/50/55/60
K0269.7Δ410X	M10	95	109	13	19	25,5	27,5	44,6	10	26	61	66	24	20/25/30/35/40/45/50/55/60/70/80/90
K0269.7Δ412X	M12	95	109	13	19	25,5	27,5	44,6	10	26	61	66	24	20/25/30/35/40/45/50/55/60/70/80/90
K0269.7Δ512X	M12	110	126	15,5	23	30	32,5	50,6	12	33	72	77	26	25/30/35/40/45/50/55/60/70/80/90
K0269.7Δ516X	M16	110	126	15,5	23	30	32,5	50,6	12	33	72	77	26	25/30/35/40/45/50/55/60/70/80/90

## Adjustable Handles with push button

internal thread

INCH Parts    METRIC Parts



**Material:**

Handle fiberglass reinforced plastic, toothed ring die-cast zinc.  
Steel parts quality class 5.8.  
Push button plastic (POM).

**Type:**

Steel parts black oxide finish.

**Part Number Example:**

K0269.71104  
(handle black gray, push button traffic red)

**Note:**

Δ Enter the desired handle color here.  
The standard colors are:  
Black gray handle, traffic red push button.  
Orange handle, black gray push button.  
Traffic red handle, black gray push button.  
For the inch series, dimension X is in inches, all other dimensions are in mm.

**On request:**

Other threads and special versions.  
Dimension "H1" available in other lengths at an additional charge.



# Adjustable Handles with push button

internal thread

## KIPP Adjustable Handles with push button, internal thread, inch

Item No.	Size	X	T	D	D1	D2	H	H1	H2	H3	H4	A	A1	B	No. of teeth
K0269.7Δ1AE	1	8-32	9	10	13	14,5	25,5	4	15	30	33,5	40	47	7,5	16
K0269.7Δ1A0	1	10-24	9	10	13	14,5	25,5	4	15	30	33,5	40	47	7,5	16
K0269.7Δ1A1	1	10-32	9	10	13	14,5	25,5	4	15	30	33,5	40	47	7,5	16
K0269.7Δ1A2	1	1/4-20	9	10	13	14,5	25,5	4	15	30	33,5	40	47	7,5	16
K0269.7Δ2A2	2	1/4-20	12	13,5	18	19,5	29,5	6,5	17,5	41,5	45,5	65	75	9,5	20
K0269.7Δ2A3	2	5/16-18	12	13,5	18	19,5	29,5	6,5	17,5	41,5	45,5	65	75	9,5	20
K0269.7Δ3A3	3	5/16-18	14	16	21,5	23	38,5	10	24	53,5	58	80	91,5	11	22
K0269.7Δ3A4	3	3/8-16	14	16	21,5	23	38,5	10	24	53,5	58	80	91,5	11	22
K0269.7Δ4A4	4	3/8-16	17	19	25,5	27,5	44,6	10	26	61	66	95	109	13	24
K0269.7Δ4A5	4	1/2-13	17	19	25,5	27,5	44,6	10	26	61	66	95	109	13	24
K0269.7Δ5A5	5	1/2-13	23	23	30	32,5	50,6	12	33	72	77	110	126	15,5	26
K0269.7Δ5A6	5	5/8-11	23	23	30	32,5	50,6	12	33	72	77	110	126	15,5	26

## KIPP Adjustable Handles with push button, internal thread, metric

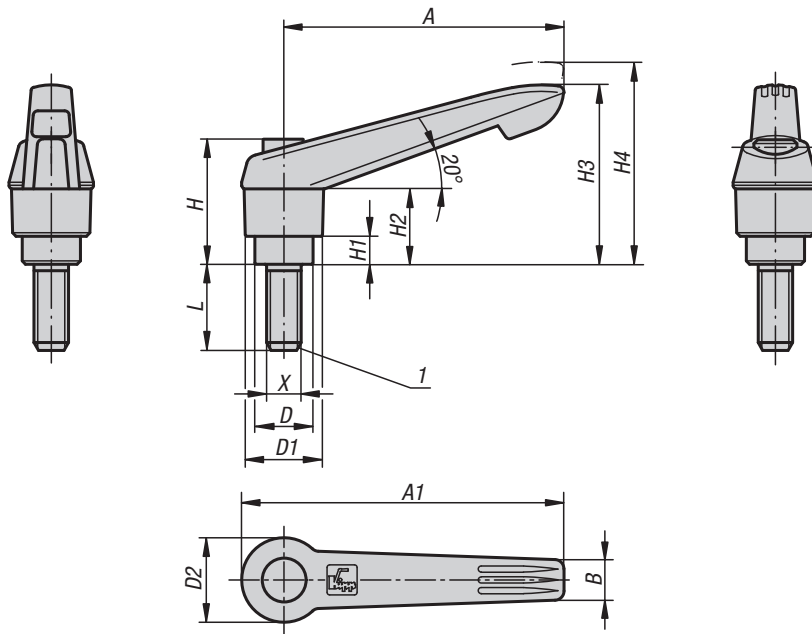
Item No.	Size	X	T	D	D1	D2	H	H1	H2	H3	H4	A	A1	B	No. of teeth
K0269.7Δ104	1	M4	9	10	13	14,5	25,5	4	15	30	33,5	40	47	7,5	16
K0269.7Δ105	1	M5	9	10	13	14,5	25,5	4	15	30	33,5	40	47	7,5	16
K0269.7Δ106	1	M6	9	10	13	14,5	25,5	4	15	30	33,5	40	47	7,5	16
K0269.7Δ206	2	M6	12	13,5	18	19,5	29,5	6,5	17,5	41,5	45,5	65	75	9,5	20
K0269.7Δ208	2	M8	12	13,5	18	19,5	29,5	6,5	17,5	41,5	45,5	65	75	9,5	20
K0269.7Δ308	3	M8	14	16	21,5	23	38,5	10	24	53,5	58	80	91,5	11	22
K0269.7Δ310	3	M10	14	16	21,5	23	38,5	10	24	53,5	58	80	91,5	11	22
K0269.7Δ410	4	M10	17	19	25,5	27,5	44,6	10	26	61	66	95	109	13	24
K0269.7Δ412	4	M12	17	19	25,5	27,5	44,6	10	26	61	66	95	109	13	24
K0269.7Δ512	5	M12	23	23	30	32,5	50,6	12	33	72	77	110	126	15,5	26
K0269.7Δ516	5	M16	23	23	30	32,5	50,6	12	33	72	77	110	126	15,5	26

## Adjustable Handles with push button

external thread, metal parts stainless steel



INCH Parts    METRIC Parts



**Material:**

Handle fiberglass reinforced plastic, toothed ring die-cast zinc.  
Steel parts stainless steel 1.4305 (AISI 303 equivalent).  
Push button plastic (POM).

**Type:**

Stainless steel parts bright.

**Part Number Example:**

K0270.71105X10  
(handles black gray, push button traffic red.  
Include length L)

**Note:**

Δ Enter the desired handle color here.  
The standard colors are:  
Black gray handle, traffic red push button.  
Orange handle, black gray push button.  
Traffic red handle, black gray push button.  
For the inch series, dimension X is in inches, all other dimensions are in mm.  
Where  $L \geq 60$  mm the thread length is 60 mm.

**On request:**

Other threads, screw lengths and special versions.  
Dimension "H1" available in other lengths at an additional charge.

**Drawing reference:**

1) flat point DIN 78



# Adjustable Handles with push button

external thread, metal parts stainless steel

## KIPP Adjustable Handles with push button, external thread, metal parts stainless steel, inch

Item No.	X	A	A1	B	D	D1	D2	H	H1	H2	H3	H4	No. of teeth	L
K0270.7Δ1A0X	10-24	40	47	7,5	10	13	14,5	25,5	4	15	30	33,5	16	15/20/25
K0270.7Δ1A1X	10-32	40	47	7,5	10	13	14,5	25,5	4	15	30	33,5	16	15/20/25
K0270.7Δ1A2X	1/4-20	40	47	7,5	10	13	14,5	25,5	4	15	30	33,5	16	10/15/20/25/30/40/50
K0270.7Δ2A2X	1/4-20	65	75	9,5	13,5	18	19,5	29,5	6,5	17,5	41,5	45,5	20	15/20/25/30/40/50/60
K0270.7Δ2A3X	5/16-18	65	75	9,5	13,5	18	19,5	29,5	6,5	17,5	41,5	45,5	20	15/20/25/30/40/50/60
K0270.7Δ2A4X	3/8-16	65	75	9,5	13,5	18	19,5	29,5	6,5	17,5	41,5	45,5	20	20/25/30/40/50/60
K0270.7Δ3A3X	5/16-18	80	91,5	11	16	21,5	23	38,5	10	24	53,5	58	22	20/25/30/40/50/60
K0270.7Δ3A4X	3/8-16	80	91,5	11	16	21,5	23	38,5	10	24	53,5	58	22	20/25/30/40/50/60
K0270.7Δ4A5X	1/2-13	95	109	13	19	25,5	27,5	44,6	10	26	61	66	24	25/30/40/50/60
K0270.7Δ5A6X	5/8-11	110	126	15,5	23	30	32,5	50,6	12	33	72	77	26	30/40/50/60

## KIPP Adjustable Handles with push button, external thread, metal parts stainless steel, metric

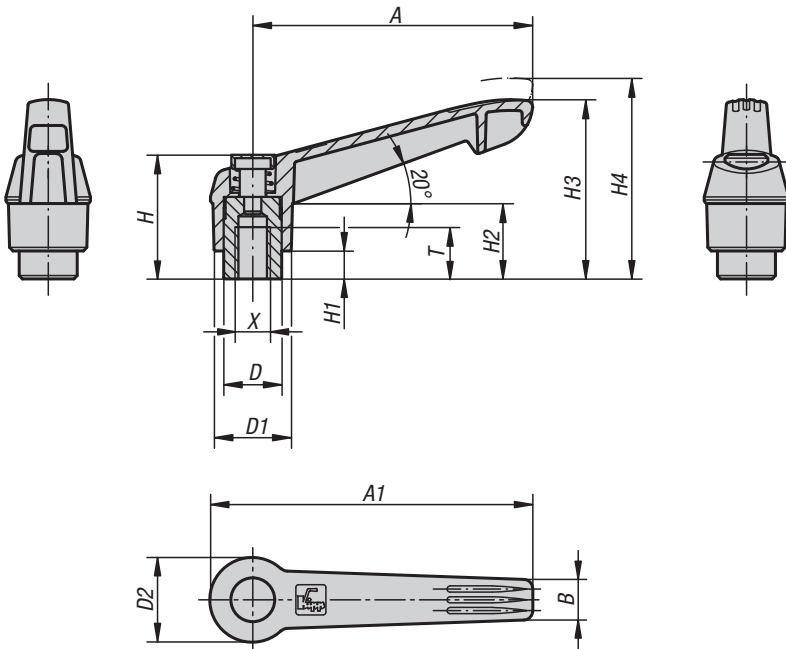
Item No.	X	A	A1	B	D	D1	D2	H	H1	H2	H3	H4	No. of teeth	L
K0270.7Δ105X	M5	40	47	7,5	10	13	14,5	25,5	4	15	30	33,5	16	10/15/20/25
K0270.7Δ106X	M6	40	47	7,5	10	13	14,5	25,5	4	15	30	33,5	16	10/15/20/25/30/40/50
K0270.7Δ206X	M6	65	75	9,5	13,5	18	19,5	29,5	6,5	17,5	41,5	45,5	20	15/20/25/30/40/50/60
K0270.7Δ208X	M8	65	75	9,5	13,5	18	19,5	29,5	6,5	17,5	41,5	45,5	20	15/20/25/30/40/50/60
K0270.7Δ210X	M10	65	75	9,5	13,5	18	19,5	29,5	6,5	17,5	41,5	45,5	20	20/25/30/40/50/60
K0270.7Δ308X	M8	80	91,5	11	16	21,5	23	38,5	10	24	53,5	58	22	20/25/30/40/50/60
K0270.7Δ310X	M10	80	91,5	11	16	21,5	23	38,5	10	24	53,5	58	22	20/25/30/40/50/60
K0270.7Δ412X	M12	95	109	13	19	25,5	27,5	44,6	10	26	61	66	24	25/30/40/50/60
K0270.7Δ516X	M16	110	126	15,5	23	30	32,5	50,6	12	33	72	77	26	30/40/50/60

## Adjustable Handles with push button

internal thread, metal parts stainless steel



INCH Parts    METRIC Parts



**Material:**

Handle fiberglass reinforced plastic, toothed ring die-cast zinc.  
 Steel parts stainless steel 1.4305 (AISI 303 equivalent).  
 Push button plastic (POM).

**Type:**

Stainless steel parts bright.

**Part Number Example:**

K0270.71104  
 (handle black gray, push button traffic red)

**Note:**

Δ Enter the desired handle color here.  
 The standard colors are:  
 Black gray handle, traffic red push button.  
 Orange handle, black gray push button.  
 Traffic red handle, black gray push button.  
 For the inch series, dimension X is in inches, all other dimensions are in mm.

**On request:**

Other threads and special versions.  
 Dimension "H1" available in other lengths at an additional charge.





# Adjustable Handles with push button

internal thread, metal parts stainless steel

## KIPP Adjustable Handles with push button, internal thread, metal parts stainless steel, inch

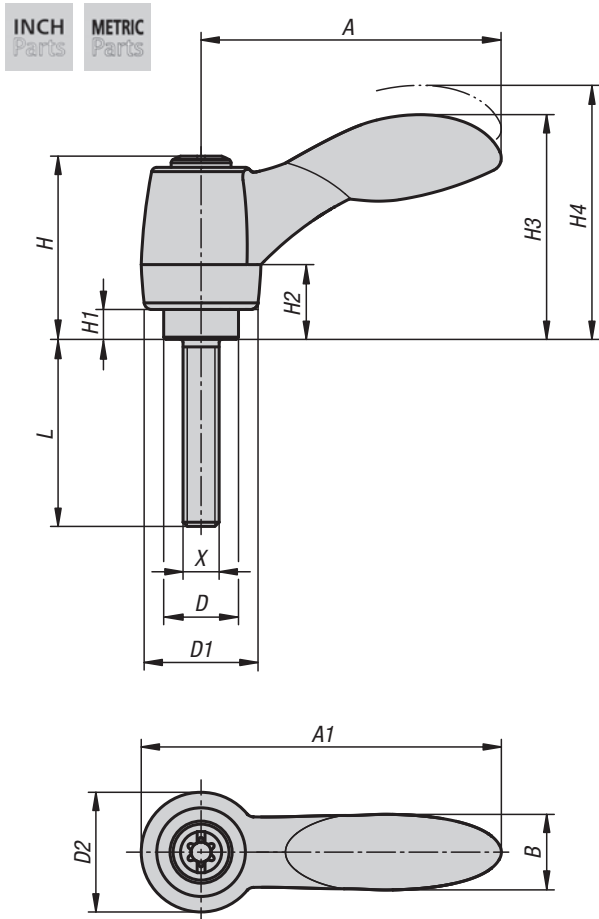
Item No.	X	A	A1	B	D	D1	D2	H	H1	H2	H3	H4	T	No. of teeth
K0270.7Δ1A0	10-24	40	47	7,5	10	13	14,5	25,5	4	15	30	33,5	9	16
K0270.7Δ1A1	10-32	40	47	7,5	10	13	14,5	25,5	4	15	30	33,5	9	16
K0270.7Δ1A2	1/4-20	40	47	7,5	10	13	14,5	25,5	4	15	30	33,5	9	16
K0270.7Δ2A2	1/4-20	65	75	9,5	13,5	18	19,5	29,5	6,5	17,5	41,5	45,5	12	20
K0270.7Δ2A3	5/16-18	65	75	9,5	13,5	18	19,5	29,5	6,5	17,5	41,5	45,5	12	20
K0270.7Δ3A3	5/16-18	80	91,5	11	16	21,5	23	38,5	10	24	53,5	58	14	22
K0270.7Δ3A4	3/8-16	80	91,5	11	16	21,5	23	38,5	10	24	53,5	58	14	22
K0270.7Δ4A4	3/8-16	95	109	13	19	25,5	27,5	44,6	10	26	61	66	17	24
K0270.7Δ4A5	1/2-13	95	109	13	19	25,5	27,5	44,6	10	26	61	66	17	24
K0270.7Δ5A5	1/2-13	110	126	15,5	23	30	32,5	50,6	12	33	72	77	23	26
K0270.7Δ5A6	5/8-11	110	126	15,5	23	30	32,5	50,6	12	33	72	77	23	26

## KIPP Adjustable Handles with push button, internal thread, metal parts stainless steel, metric

Item No.	X	A	A1	B	D	D1	D2	H	H1	H2	H3	H4	T	No. of teeth
K0270.7Δ104	M4	40	47	7,5	10	13	14,5	25,5	4	15	30	33,5	9	16
K0270.7Δ105	M5	40	47	7,5	10	13	14,5	25,5	4	15	30	33,5	9	16
K0270.7Δ106	M6	40	47	7,5	10	13	14,5	25,5	4	15	30	33,5	9	16
K0270.7Δ206	M6	65	75	9,5	13,5	18	19,5	29,5	6,5	17,5	41,5	45,5	12	20
K0270.7Δ208	M8	65	75	9,5	13,5	18	19,5	29,5	6,5	17,5	41,5	45,5	12	20
K0270.7Δ308	M8	80	91,5	11	16	21,5	23	38,5	10	24	53,5	58	14	22
K0270.7Δ310	M10	80	91,5	11	16	21,5	23	38,5	10	24	53,5	58	14	22
K0270.7Δ410	M10	95	109	13	19	25,5	27,5	44,6	10	26	61	66	17	24
K0270.7Δ412	M12	95	109	13	19	25,5	27,5	44,6	10	26	61	66	17	24
K0270.7Δ512	M12	110	126	15,5	23	30	32,5	50,6	12	33	72	77	23	26
K0270.7Δ516	M16	110	126	15,5	23	30	32,5	50,6	12	33	72	77	23	26

## Adjustable Handles 2K

soft-touch with external thread



**Material:**

Handle: Hard component in fiberglass reinforced plastic with die cast zinc toothed ring.  
Soft component: Thermoflex based on SEBS.

Steel parts: Quality class 5.8.

**Type:**

Steel parts black oxide finish.

**Part Number Example:**

K0125.1A001X10  
(include length L)

**Note:**

The hard and soft components are supplied in black gray RAL 7021 as standard.

For the inch series, dimension X is in inches, all other dimensions are in mm.

Where L ≥ 60 mm the thread length is always 60 mm.

**On request:**

Other external threads, screw lengths, color combinations and special versions.

Dimension "H1" can be produced in other lengths at an additional charge.

**KIPP Adjustable Handles 2K with external thread, inch**

Item No.	Size	X	D	D1	D2	H	H1	H2	H3	H4	A	A1	B	No. of teeth	L
K0125.1A001X	1	10-24	10	15	16	24,5	4	10	30	33,5	40,1	48,1	10,1	16	10/15/20/25/30/35/40/45/50
K0125.1A101X	1	10-32	10	15	16	24,5	4	10	30	33,5	40,1	48,1	10,1	16	10/15/20/25/30/35/40/45/50
K0125.1A201X	1	1/4-20	10	15	16	24,5	4	10	30	33,5	40,1	48,1	10,1	16	10/15/20/25/30/35/40/45/50
K0125.2A201X	2	1/4-20	13,5	17,5	19	28,5	6,5	12,5	41,2	45,2	64,9	74,4	17,6	20	15/20/25/30/35/40/45/50/55/60
K0125.2A301X	2	5/16-18	13,5	17,5	19	28,5	6,5	12,5	41,2	45,2	64,9	74,4	17,6	20	15/20/25/30/35/40/45/50/55/60
K0125.2A401X	2	3/8-16	13,5	17,5	19	28,5	6,5	12,5	41,2	45,2	64,9	74,4	17,6	20	15/20/25/30/35/40/45/50/55/60
K0125.3A301X	3	5/16-18	16	21	22	37	10	17	51,6	56,1	80,2	91,2	20,7	22	15/20/25/30/35/40/45/50/55/60
K0125.3A401X	3	3/8-16	16	21	22	37	10	17	51,6	56,1	80,2	91,2	20,7	22	15/20/25/30/35/40/45/50/55/60

**KIPP Adjustable Handles 2K with external thread, metric**

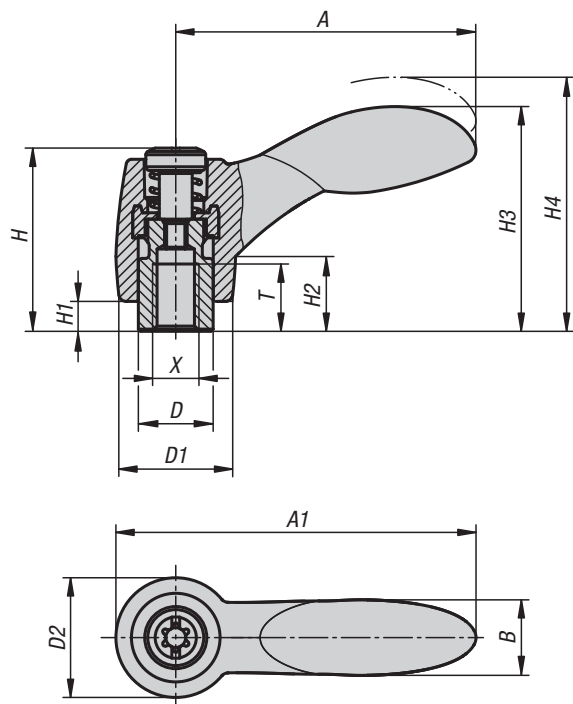
Item No.	Size	X	D	D1	D2	H	H1	H2	H3	H4	A	A1	B	No. of teeth	L
K0125.10501X	1	M5	10	15	16	24,5	4	10	30	33,5	40,1	48,1	10,1	16	10/15/20/25/30/35/40/45/50
K0125.10601X	1	M6	10	15	16	24,5	4	10	30	33,5	40,1	48,1	10,1	16	10/15/20/25/30/35/40/45/50
K0125.20601X	2	M6	13,5	17,5	19	28,5	6,5	12,5	41,2	45,2	64,9	74,4	17,6	20	15/20/25/30/35/40/45/50/55/60
K0125.20801X	2	M8	13,5	17,5	19	28,5	6,5	12,5	41,2	45,2	64,9	74,4	17,6	20	15/20/25/30/35/40/45/50/55/60
K0125.21001X	2	M10	13,5	17,5	19	28,5	6,5	12,5	41,2	45,2	64,9	74,4	17,6	20	15/20/25/30/35/40/45/50/55/60
K0125.30801X	3	M8	16	21	22	37	10	17	51,6	56,1	80,2	91,2	20,7	22	15/20/25/30/35/40/45/50/55/60
K0125.31001X	3	M10	16	21	22	37	10	17	51,6	56,1	80,2	91,2	20,7	22	15/20/25/30/35/40/45/50/55/60

## Adjustable Handles 2K

soft-touch with internal thread



INCH Parts    METRIC Parts



**Material:**

Handle: Hard component in fiberglass reinforced plastic with die-cast zinc toothed ring.  
Soft component: Thermoflex based on SEBS.  
Steel parts: Quality class 5.8.

**Type:**

Steel parts black oxide finish.

**Part Number Example:**

K0125.1AE01

**Note:**

The hard and soft components are supplied in black gray RAL 7021 as standard.  
For the inch series, dimension X is in inches, all other dimensions are in mm.

**On request:**

Other internal threads, color combinations and special versions.  
Dimension "H1" can be produced in other lengths at an additional charge.

**KIPP Adjustable Handles 2K with internal thread, inch**

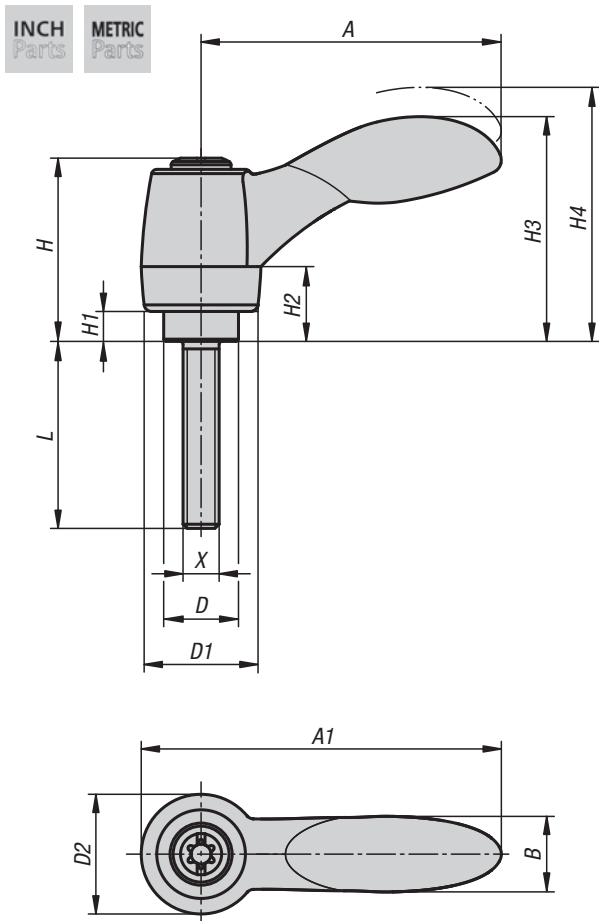
Item No.	Size	X	T	D	D1	D2	H	H1	H2	H3	H4	A	A1	B	No. of teeth
K0125.1AE01	1	8-32	9	10	15	16	24,5	4	10	30	33,5	40,1	48,1	10,1	16
K0125.1A001	1	10-24	9	10	15	16	24,5	4	10	30	33,5	40,1	48,1	10,1	16
K0125.1A101	1	10-32	9	10	15	16	24,5	4	10	30	33,5	40,1	48,1	10,1	16
K0125.1A201	1	1/4-20	9	10	15	16	24,5	4	10	30	33,5	40,1	48,1	10,1	16
K0125.2A201	2	1/4-20	12	13,5	17,5	19	28,5	6,5	12,5	41,2	45,2	64,9	74,4	17,6	20
K0125.2A301	2	5/16-18	12	13,5	17,5	19	28,5	6,5	12,5	41,2	45,2	64,9	74,4	17,6	20
K0125.3A301	3	5/16-18	14	16	21	22	37	10	17	51,6	56,1	80,2	91,2	20,7	22
K0125.3A401	3	3/8-16	14	16	21	22	37	10	17	51,6	56,1	80,2	91,2	20,7	22

**KIPP Adjustable Handles 2K with internal thread, metric**

Item No.	Size	X	T	D	D1	D2	H	H1	H2	H3	H4	A	A1	B	No. of teeth
K0125.10401	1	M4	9	10	15	16	24,5	4	10	30	33,5	40,1	48,1	10,1	16
K0125.10501	1	M5	9	10	15	16	24,5	4	10	30	33,5	40,1	48,1	10,1	16
K0125.10601	1	M6	9	10	15	16	24,5	4	10	30	33,5	40,1	48,1	10,1	16
K0125.20601	2	M6	12	13,5	17,5	19	28,5	6,5	12,5	41,2	45,2	64,9	74,4	17,6	20
K0125.20801	2	M8	12	13,5	17,5	19	28,5	6,5	12,5	41,2	45,2	64,9	74,4	17,6	20
K0125.30801	3	M8	14	16	21	22	37	10	17	51,6	56,1	80,2	91,2	20,7	22
K0125.31001	3	M10	14	16	21	22	37	10	17	51,6	56,1	80,2	91,2	20,7	22

## Adjustable Handles 2K

soft-touch with external thread, steel parts in stainless steel



**Material:**

Handle: Hard component in fiberglass reinforced plastic with die cast zinc toothed ring.  
Soft component: Thermoflex based on SEBS.  
Steel parts: Stainless steel, 1.4305 (AISI 303 equivalent).

**Type:**

Stainless steel parts bright.

**Part Number Example:**

K0126.1A001X10  
(include length L)

**Note:**

The hard and soft components are supplied in black gray RAL 7021 as standard.  
For the inch series, dimension X is in inches, all other dimensions are in mm.

**On request:**

Other external threads, screw lengths, color combinations and special versions.  
Dimension "H1" can be produced in other lengths at an additional charge.

### KIPP Adjustable Handles 2K with external thread, steel parts in stainless steel, inch

Item No.	Size	X	D	D1	D2	H	H1	H2	H3	H4	A	A1	B	No. of teeth	L
K0126.1A001X	1	10-24	10	15	16	24,5	4	10	30	33,5	40,1	48,1	10,1	16	10/15/20/25
K0126.1A101X	1	10-32	10	15	16	24,5	4	10	30	33,5	40,1	48,1	10,1	16	10/15/20/25
K0126.1A201X	1	1/4-20	10	15	16	24,5	4	10	30	33,5	40,1	48,1	10,1	16	10/15/20/25/30/40/50
K0126.2A201X	2	1/4-20	13,5	17,5	19	28,5	6,5	12,5	41,2	45,2	64,9	74,4	17,6	20	15/20/25/30/40/50/60
K0126.2A301X	2	5/16-18	13,5	17,5	19	28,5	6,5	12,5	41,2	45,2	64,9	74,4	17,6	20	15/20/25/30/40/50/60
K0126.2A401X	2	3/8-16	13,5	17,5	19	28,5	6,5	12,5	41,2	45,2	64,9	74,4	17,6	20	20/25/30/40/50/60
K0126.3A301X	3	5/16-18	16	21	22	37	10	17	51,6	56,1	80,2	91,2	20,7	22	20/25/30/40/50/60
K0126.3A401X	3	3/8-16	16	21	22	37	10	17	51,6	56,1	80,2	91,2	20,7	22	20/25/30/40/50/60

### KIPP Adjustable Handles 2K with external thread, steel parts in stainless steel, metric

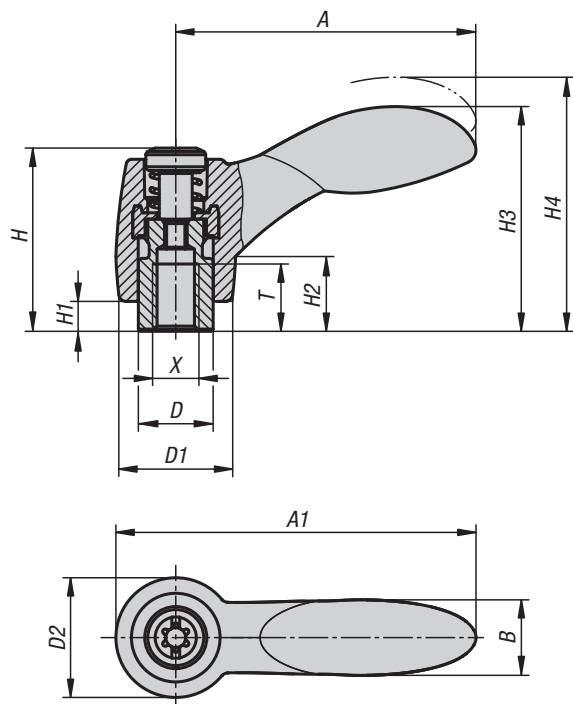
Item No.	Size	X	D	D1	D2	H	H1	H2	H3	H4	A	A1	B	No. of teeth	L
K0126.10501X	1	M5	10	15	16	24,5	4	10	30	33,5	40,1	48,1	10,1	16	10/15/20/25
K0126.10601X	1	M6	10	15	16	24,5	4	10	30	33,5	40,1	48,1	10,1	16	10/15/20/25/30/40/50
K0126.20601X	2	M6	13,5	17,5	19	28,5	6,5	12,5	41,2	45,2	64,9	74,4	17,6	20	15/20/25/30/40/50/60
K0126.20801X	2	M8	13,5	17,5	19	28,5	6,5	12,5	41,2	45,2	64,9	74,4	17,6	20	15/20/25/30/40/50/60
K0126.21001X	2	M10	13,5	17,5	19	28,5	6,5	12,5	41,2	45,2	64,9	74,4	17,6	20	20/25/30/40/50/60
K0126.30801X	3	M8	16	21	22	37	10	17	51,6	56,1	80,2	91,2	20,7	22	20/25/30/40/50/60
K0126.31001X	3	M10	16	21	22	37	10	17	51,6	56,1	80,2	91,2	20,7	22	20/25/30/40/50/60

## Adjustable Handles 2K

soft-touch with internal thread, steel parts in stainless steel



INCH Parts  
METRIC Parts



**Material:**

Handle: Hard component in fiberglass reinforced plastic with die cast zinc toothed ring.  
Soft component: Thermoflex based on SEBS.  
Steel parts: Stainless steel, 1.4305 (AISI 303 equivalent).

**Type:**

Stainless steel parts bright.

**Part Number Example:**

K0126.1A001

**Note:**

The hard and soft components are supplied in black gray RAL 7021 as standard.  
For the inch series, dimension X is in inches, all other dimensions are in mm.

**On request:**

Other internal threads, color combinations and special versions.  
Dimension "H1" can be produced in other lengths at an additional charge.

### KIPP Adjustable Handles 2K with internal thread, steel parts in stainless steel, inch

Item No.	Size	X	T	D	D1	D2	H	H1	H2	H3	H4	A	A1	B	No. of teeth
K0126.1A001	1	10-24	9	10	15	16	24,5	4	10	30	33,5	40,1	48,1	10,1	16
K0126.1A101	1	10-32	9	10	15	16	24,5	4	10	30	33,5	40,1	48,1	10,1	16
K0126.1A201	1	1/4-20	9	10	15	16	24,5	4	10	30	33,5	40,1	48,1	10,1	16
K0126.2A201	2	1/4-20	12	13,5	17,5	19	28,5	6,5	12,5	41,2	45,2	64,9	74,4	17,6	20
K0126.2A301	2	5/16-18	12	13,5	17,5	19	28,5	6,5	12,5	41,2	45,2	64,9	74,4	17,6	20
K0126.3A301	3	5/16-18	14	16	21	22	37	10	17	51,6	56,1	80,2	91,2	20,7	22
K0126.3A401	3	3/8-16	14	16	21	22	37	10	17	51,6	56,1	80,2	91,2	20,7	22

### KIPP Adjustable Handles 2K with internal thread, steel parts in stainless steel, metric

Item No.	Size	X	T	D	D1	D2	H	H1	H2	H3	H4	A	A1	B	No. of teeth
K0126.10401	1	M4	9	10	15	16	24,5	4	10	30	33,5	40,1	48,1	10,1	16
K0126.10501	1	M5	9	10	15	16	24,5	4	10	30	33,5	40,1	48,1	10,1	16
K0126.10601	1	M6	9	10	15	16	24,5	4	10	30	33,5	40,1	48,1	10,1	16
K0126.20601	2	M6	12	13,5	17,5	19	28,5	6,5	12,5	41,2	45,2	64,9	74,4	17,6	20
K0126.20801	2	M8	12	13,5	17,5	19	28,5	6,5	12,5	41,2	45,2	64,9	74,4	17,6	20
K0126.30801	3	M8	14	16	21	22	37	10	17	51,6	56,1	80,2	91,2	20,7	22
K0126.31001	3	M10	14	16	21	22	37	10	17	51,6	56,1	80,2	91,2	20,7	22

## Adjustable Handles ECO

external thread



INCH Parts    METRIC Parts



**Material:**

Handle and insert reinforced plastic.  
Steel parts quality class 5.8.

**Type:**

Steel trivalent blue passivated.

**Part Number Example:**

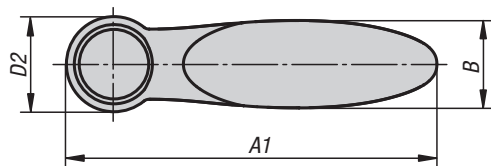
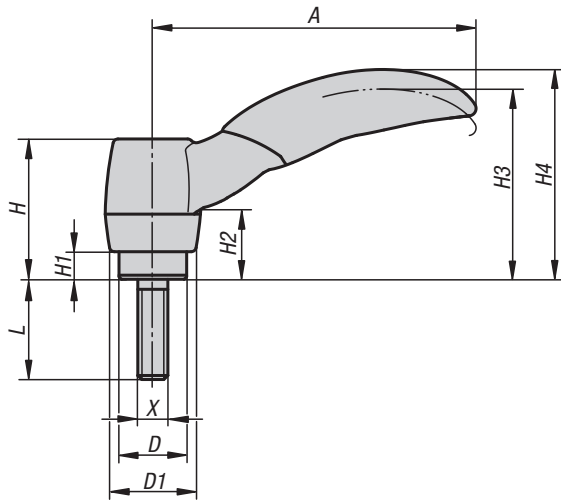
K0252.1041X10  
(include length L)

**Note:**

Standard color is black gray RAL 7021.  
Where  $L \geq 60$  mm the thread length is always 60 mm.  
For the inch series, dimension X is in inches, all other dimensions are in mm.

**On request:**

Other external threads, colors and special versions at an additional charge.



Press to disengage



### KIPP Adjustable Handles ECO external thread, inch

Item No.	Size	X	D	D1	D2	H	H1	H2	H3	H4	A	A1	B	No. of teeth	L
K0252.1AE1X	1	8-32	10	12,6	14,1	21,7	5	11,3	32	29,1	47,9	55	13	12	10/20
K0252.1A11X	1	10-32	10	12,6	14,1	21,7	5	11,3	32	29,1	47,9	55	13	12	10/20
K0252.2A11X	2	10-32	13,5	17	19	28	5,5	14	41,9	38	64,5	74	17,5	12	20/30/40
K0252.2A21X	2	1/4-20	13,5	17	19	28	5,5	14	41,9	38	64,5	74	17,5	12	20/30/40
K0252.2A31X	2	5/16-18	13,5	17	19	28	5,5	14	41,9	38	64,5	74	17,5	12	20/30/40
K0252.3A31X	3	5/16-18	17	20,4	23,9	40,7	10	23,1	58,1	53,3	81,1	93	22	12	20/40/60
K0252.3A41X	3	3/8-16	17	20,4	23,9	40,7	10	23,1	58,1	53,3	81,1	93	22	12	20/40/60

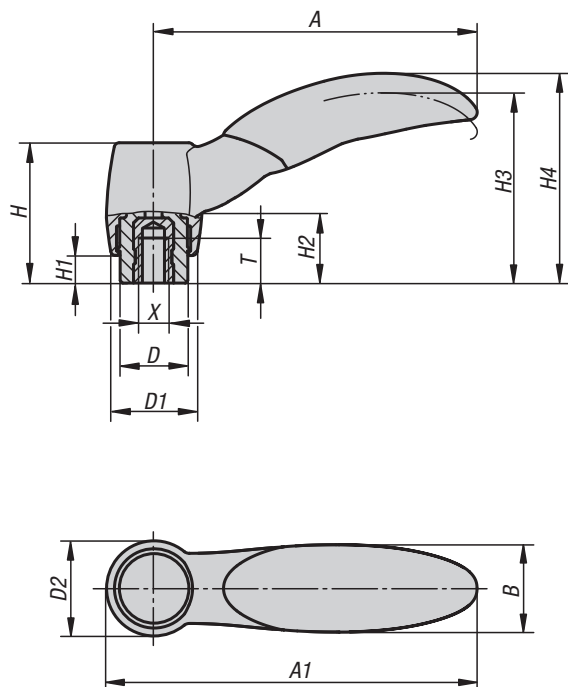
### KIPP Adjustable Handles ECO external thread, metric

Item No.	Size	X	D	D1	D2	H	H1	H2	H3	H4	A	A1	B	No. of teeth	L
K0252.1041X	1	M4	10	12,6	14,1	21,7	5	11,3	32	29,1	47,9	55	13	12	10/15/20
K0252.1051X	1	M5	10	12,6	14,1	21,7	5	11,3	32	29,1	47,9	55	13	12	10/15/20/25
K0252.2051X	2	M5	13,5	17	19	28	5,5	14	41,9	38	64,5	74	17,5	12	10/15/20/25/30/40
K0252.2061X	2	M6	13,5	17	19	28	5,5	14	41,9	38	64,5	74	17,5	12	10/15/20/25/30/40
K0252.2081X	2	M8	13,5	17	19	28	5,5	14	41,9	38	64,5	74	17,5	12	10/15/20/25/30/40
K0252.3081X	3	M8	17	20,4	23,9	40,7	10	23,1	58,1	53,3	81,1	93	22	12	20/25/30/40/50/60
K0252.3101X	3	M10	17	20,4	23,9	40,7	10	23,1	58,1	53,3	81,1	93	22	12	20/25/30/40/50/60

## Adjustable Handles ECO

internal thread

INCH Parts    METRIC Parts



**Material:**  
Handle and insert reinforced plastic.

For size 1 and 2, brass bushing.  
For size 3, steel bushing.

**Type:**  
Steel trivalent blue passivated.

**Part Number Example:**  
K0252.1AE1

**Note:**  
Standard color is black gray RAL 7021.  
For the inch series, dimension X is in inches, all other dimensions are in mm.

**On request:**  
Other internal threads, colors and special versions at an additional charge.

### KIPP Adjustable Handles ECO internal thread, inch

Item No.	Size	X	T	D	D1	D2	H	H1	H2	H3	H4	A	A1	B	No. of teeth
K0252.1AE1	1	8-32	6	10	12,6	14,1	21,7	5	11,3	32	29,1	47,9	55	13	12
K0252.1A11	1	10-32	6	10	12,6	14,1	21,7	5	11,3	32	29,1	47,9	55	13	12
K0252.2A11	2	10-32	7,5	13,5	17	19	28	5,5	14	41,9	38	64,5	74	17,5	12
K0252.2A21	2	1/4-20	9	13,5	17	19	28	5,5	14	41,9	38	64,5	74	17,5	12
K0252.2A31	2	5/16-18	9	13,5	17	19	28	5,5	14	41,9	38	64,5	74	17,5	12
K0252.3A31	3	5/16-18	14,5	17	20,4	23,9	40,7	10	23,1	58,1	53,3	81,1	93	22	12
K0252.3A41	3	3/8-16	14,5	17	20,4	23,9	40,7	10	23,1	58,1	53,3	81,1	93	22	12

### KIPP Adjustable Handles ECO internal thread, metric

Item No.	Size	X	T	D	D1	D2	H	H1	H2	H3	H4	A	A1	B	No. of teeth
K0252.1041	1	M4	6	10	12,6	14,1	21,7	5	11,3	32	29,1	47,9	55	13	12
K0252.1051	1	M5	6	10	12,6	14,1	21,7	5	11,3	32	29,1	47,9	55	13	12
K0252.2051	2	M5	7,5	13,5	17	19	28	5,5	14	41,9	38	64,5	74	17,5	12
K0252.2061	2	M6	9	13,5	17	19	28	5,5	14	41,9	38	64,5	74	17,5	12
K0252.2081	2	M8	9	13,5	17	19	28	5,5	14	41,9	38	64,5	74	17,5	12
K0252.3081	3	M8	12	17	20,4	23,9	40,7	10	23,1	58,1	53,3	81,1	93	22	12
K0252.3101	3	M10	12	17	20,4	23,9	40,7	10	23,1	58,1	53,3	81,1	93	22	12



## Adjustable Handles with thrust pin

external thread



**Material:**

Handle fiberglass reinforced plastic with die-cast zinc tooth rings.  
Steel parts quality class 5.8.  
Thrust pin, brass.

**Type:**

Steel parts black oxide finish.

**Part Number Example:**

K0780.12061X20

**Note:**

These components are used to prevent marring the workpiece surface.

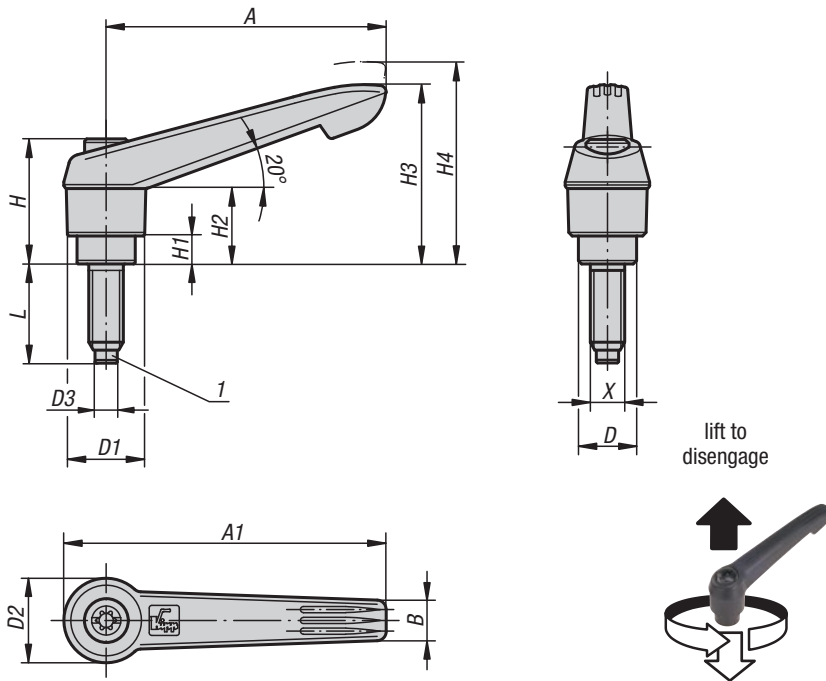
**On request:**

Other threads, screw lengths, clamp lever colors and thrust pin types as well as special versions. Dimension "H1" available in other lengths at an additional charge.

**Drawing reference:**

1) Thrust pin

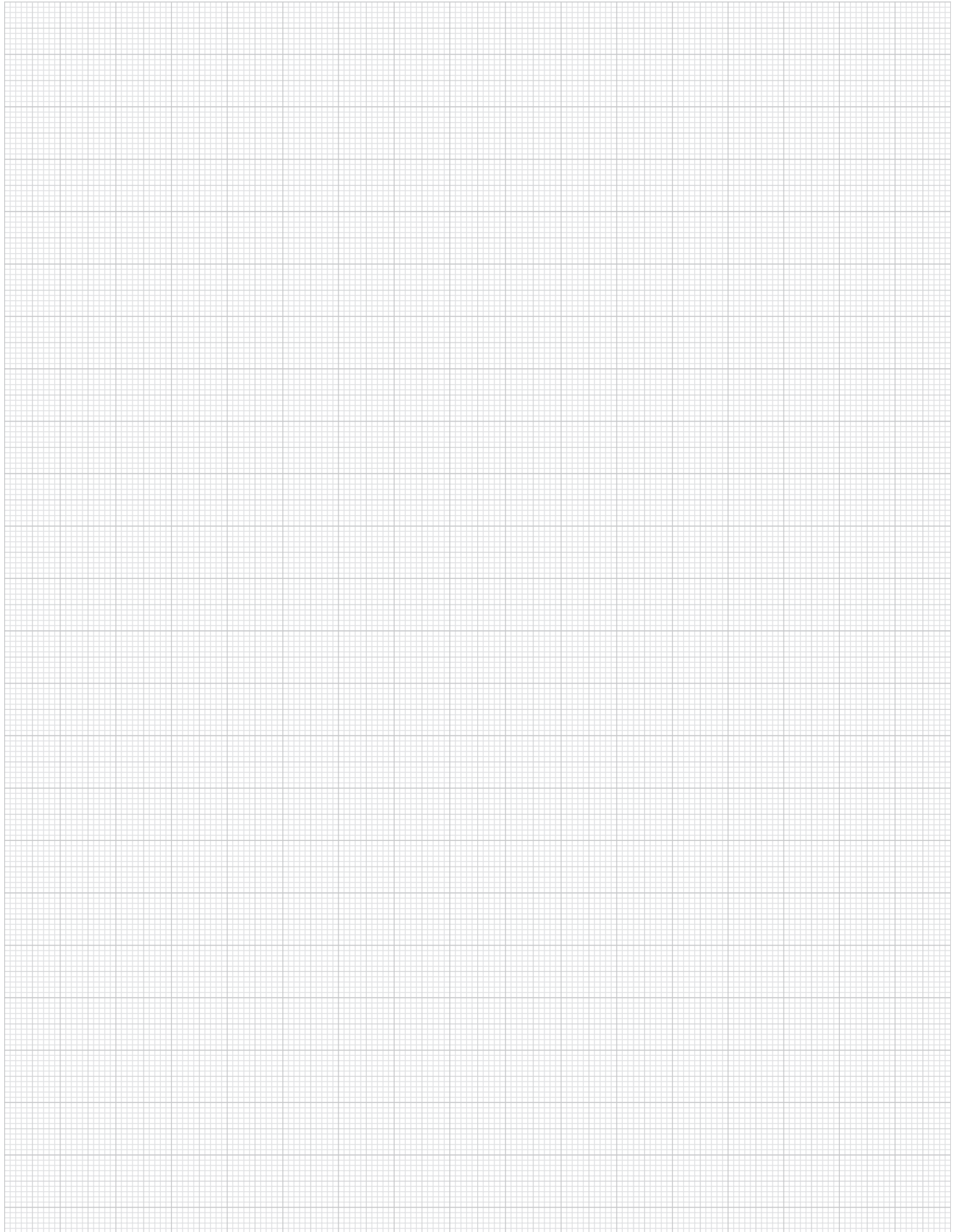
METRIC  
Parts



**KIPP Adjustable Handles with thrust pin external thread, metric**

Item No.	Size	X	D	D1	D2	D3	H	H1	H2	H3	H4	A	A1	B	No. of teeth	L
K0780.11051X20	1	M5	10	13	14,5	3	24,5	4	15	30	33,5	40	47	7,5	16	20
K0780.11051X30	1	M5	10	13	14,5	3	24,5	4	15	30	33,5	40	47	7,5	16	30
K0780.11051X40	1	M5	10	13	14,5	3	24,5	4	15	30	33,5	40	47	7,5	16	40
K0780.11051X50	1	M5	10	13	14,5	3	24,5	4	15	30	33,5	40	47	7,5	16	50
K0780.11061X20	1	M6	10	13	14,5	4	24,5	4	15	30	33,5	40	47	7,5	16	20
K0780.11061X30	1	M6	10	13	14,5	4	24,5	4	15	30	33,5	40	47	7,5	16	30
K0780.11061X40	1	M6	10	13	14,5	4	24,5	4	15	30	33,5	40	47	7,5	16	40
K0780.11061X50	1	M6	10	13	14,5	4	24,5	4	15	30	33,5	40	47	7,5	16	50
K0780.12061X20	2	M6	13,5	18	19,5	4	28,5	6,5	17,5	41,5	45,5	65	75	9,5	20	20
K0780.12061X30	2	M6	13,5	18	19,5	4	28,5	6,5	17,5	41,5	45,5	65	75	9,5	20	30
K0780.12061X40	2	M6	13,5	18	19,5	4	28,5	6,5	17,5	41,5	45,5	65	75	9,5	20	40
K0780.12061X50	2	M6	13,5	18	19,5	4	28,5	6,5	17,5	41,5	45,5	65	75	9,5	20	50
K0780.12061X60	2	M6	13,5	18	19,5	4	28,5	6,5	17,5	41,5	45,5	65	75	9,5	20	60
K0780.12081X20	2	M8	13,5	18	19,5	5,5	28,5	6,5	17,5	41,5	45,5	65	75	9,5	20	20
K0780.12081X30	2	M8	13,5	18	19,5	5,5	28,5	6,5	17,5	41,5	45,5	65	75	9,5	20	30
K0780.12081X40	2	M8	13,5	18	19,5	5,5	28,5	6,5	17,5	41,5	45,5	65	75	9,5	20	40
K0780.12081X50	2	M8	13,5	18	19,5	5,5	28,5	6,5	17,5	41,5	45,5	65	75	9,5	20	50
K0780.12081X60	2	M8	13,5	18	19,5	5,5	28,5	6,5	17,5	41,5	45,5	65	75	9,5	20	60
K0780.12101X20	2	M10	13,5	18	19,5	7	28,5	6,5	17,5	41,5	45,5	65	75	9,5	20	20
K0780.12101X30	2	M10	13,5	18	19,5	7	28,5	6,5	17,5	41,5	45,5	65	75	9,5	20	30
K0780.12101X40	2	M10	13,5	18	19,5	7	28,5	6,5	17,5	41,5	45,5	65	75	9,5	20	40
K0780.12101X50	2	M10	13,5	18	19,5	7	28,5	6,5	17,5	41,5	45,5	65	75	9,5	20	50
K0780.12101X60	2	M10	13,5	18	19,5	7	28,5	6,5	17,5	41,5	45,5	65	75	9,5	20	60

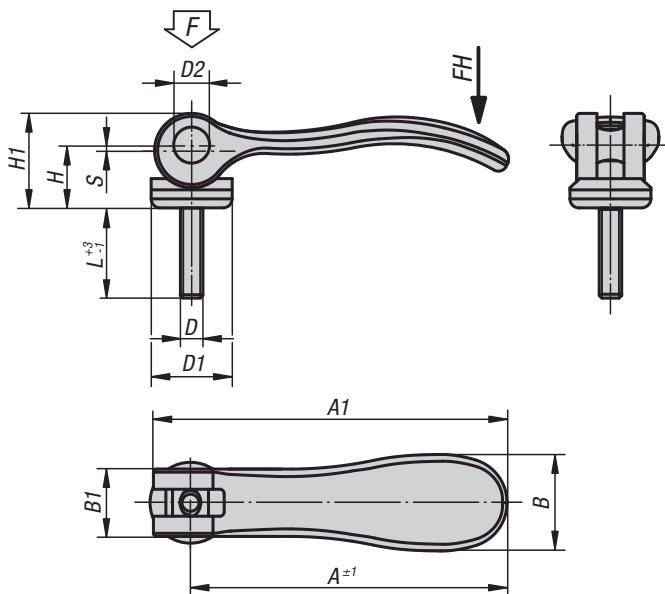
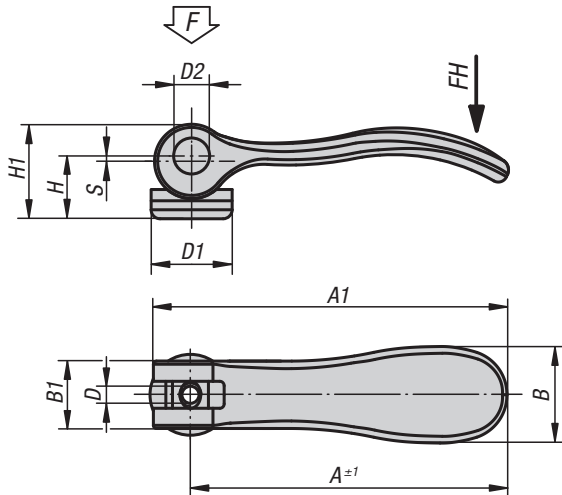
Notes:



## Cam Levers

internal and external thread, steel

INCH Parts  
METRIC Parts



**Material:**

Handle steel 1.0401.  
Thrust washer plastic PA 66 GF 35-X fiberglass reinforced.  
Hinge pin stainless steel 1.4305 (AISI 303 equivalent).  
Stud and washer steel, quality class 5.8.

**Type:**

Handle, stud and washer trivalent blue passivated.  
Thrust washer black.  
Hinge pin bright.

**Part Number Example:**

K0788.1502205X30 (include length L)

**Note:**

Plastics are subject to creeping when compressed (retardation).  
For the inch series, dimension D is in inches, all other dimensions are in mm.

## Cam Levers

internal and external thread, steel

### KIPP Cam Levers internal thread, steel, inch

Item No.	Size	D	D1	D2	B	B1	H	H1	A	A1	Stroke S	Clamping force F (kN)	Hand force FH N
K0788.15022A1	1	10-32	18,1	9	21,5	15	14,5	22	70,4	79,2	1,2	4	120
K0788.15022A2	1	1/4-20	18,1	9	21,5	15	14,5	22	70,4	79,2	1,2	4	120
K0788.25022A3	2	5/16-18	27,1	11	33,3	24	18	28,5	96	108	1,5	8	350

### KIPP Cam Levers external thread, steel, inch

Item No.	Size	D	D1	D2	B	B1	H	H1	A	A1	L	Stroke S	Clamping force F (kN)	Hand force FH N
K0788.15022A1X	1	10-32	18,1	9	21,5	15	14,5	22	70,4	79,2	20/30/40/50	1,2	4	120
K0788.15022A2X	1	1/4-20	18,1	9	21,5	15	14,5	22	70,4	79,2	20/30/40/50	1,2	4	120
K0788.25022A3X	2	5/16-18	27,1	11	33,3	24	18	28,5	96	108	25/30/40/50	1,5	8	350
K0788.25022A4X	2	3/8-16	27,1	11	33,3	24	18	28,5	96	108	25/30/40/50	1,5	8	350

### KIPP Cam Levers internal thread, steel, metric

Item No.	Size	D	D1	D2	B	B1	H	H1	A	A1	Stroke S	Clamping force F (kN)	Hand force FH N
K0788.1502205	1	M5	18,1	9	21,5	15	14,5	22	70,4	79,2	1,2	4	120
K0788.1502206	1	M6	18,1	9	21,5	15	14,5	22	70,4	79,2	1,2	4	120
K0788.2502208	2	M8	27,1	11	33,2	24	18	28,5	96	108	1,5	8	350

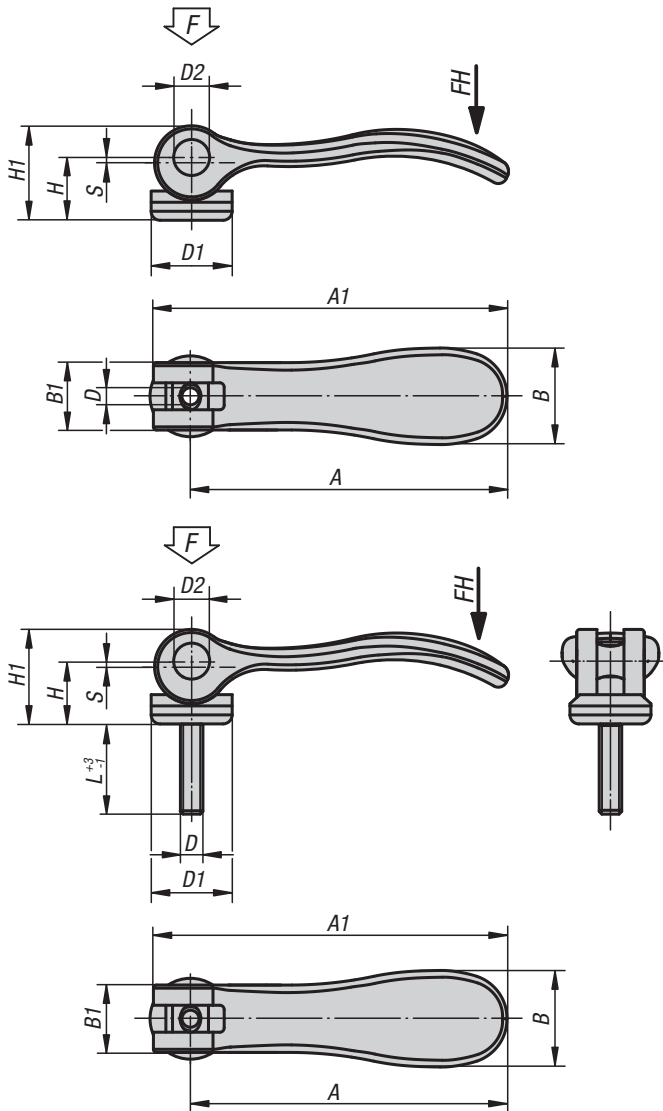
### KIPP Cam Levers external thread, steel, metric

Item No.	Size	D	D1	D2	B	B1	H	H1	A	A1	L	Stroke S	Clamping force F (kN)	Hand force FH N
K0788.1502205X	1	M5	18,1	9	21,5	15	14,5	22	70,4	79,2	20/30/40/50	1,2	4	120
K0788.1502206X	1	M6	18,1	9	21,5	15	14,5	22	70,4	79,2	20/30/40/50	1,2	4	120
K0788.2502208X	2	M8	27,1	11	33,2	24	18	28,5	96	108	25/30/40/50	1,5	8	350
K0788.2502210X	2	M10	27,1	11	33,2	24	18	28,5	96	108	25/30/40/50	1,5	8	350

## Cam Levers

with internal and external thread

INCH  
Parts



**Material:**

Handle cast aluminum EN AC-46200.

Thrust washer plastic PA 66 GF 35-X fiberglass reinforced.

Hinge pin stainless steel 1.4305 (AISI 303 equivalent).

Stud and washer steel quality class 5.8 or stainless steel 1.4305 (AISI 303 equivalent).

**Type:**

Handles fine structure powder-coated, black or red RAL 3003.

Thrust washer, black.

Hinge pin, bright.

Studs and washer trivalent blue passivated steel or bright stainless steel.

**Part Number Example:**

K0005.95011ADX10

(include length L)

**Note:**

Plastics are subject to creeping when compressed (retardation).

For the inch series, dimension D is in inches, all other dimensions are in mm.

## KIPP Cam Levers black, internal thread, inch

Item No. steel	Item No. stainless steel	D	D1	D2	B	B1	H	H1	A	A1	Stroke S	Clamping force F (kN)	Hand force FH N
K0005.95011AD	K0005.95111AD	6-32	12	6	14,4	11,5	9	13	36,2	41,7	1	1,5	90
K0005.95011AE	K0005.95111AE	8-32	12	6	14,4	11,5	9	13	36,2	41,7	1	1,5	90
K0005.05011AE	K0005.05111AE	8-32	15,4	8	18	13	11,2	17	52,3	59,1	1	2,5	100
K0005.05011A0	K0005.05111A0	10-24	15,4	8	18	13	11,2	17	52,3	59,1	1	2,5	100
K0005.05011A1	K0005.05111A1	10-32	15,4	8	18	13	11,2	17	52,3	59,1	1	2,5	100
K0005.15011A1	K0005.15111A1	10-32	18,1	9	21,5	15	14,5	22	70,4	79,2	1,2	4	120
K0005.15011A2	K0005.15111A2	1/4-20	18,1	9	21,5	15	14,5	22	70,4	79,2	1,2	4	120
K0005.25011A3	K0005.25111A3	5/16-18	27,1	11	33,3	24	18	28,5	96	108	1,5	8	350

## KIPP Cam Levers red, internal thread, inch

Item No. steel	Item No. stainless steel	D	D1	D2	B	B1	H	H1	A	A1	Stroke S	Clamping force F (kN)	Hand force FH N
K0005.95014AD	K0005.95114AD	6-32	12	6	14,4	11,5	9	13	36,2	41,7	1	1,5	90
K0005.95014AE	K0005.95114AE	8-32	12	6	14,4	11,5	9	13	36,2	41,7	1	1,5	90
K0005.05014AE	K0005.05114AE	8-32	15,4	8	18	13	11,2	17	52,3	59,1	1	2,5	100
K0005.05014A0	K0005.05114A0	10-24	15,4	8	18	13	11,2	17	52,3	59,1	1	2,5	100
K0005.05014A1	K0005.05114A1	10-32	15,4	8	18	13	11,2	17	52,3	59,1	1	2,5	100
K0005.15014A1	K0005.15114A1	10-32	18,1	9	21,5	15	14,5	22	70,4	79,2	1,2	4	120
K0005.15014A2	K0005.15114A2	1/4-20	18,1	9	21,5	15	14,5	22	70,4	79,2	1,2	4	120
K0005.25014A3	K0005.25114A3	5/16-18	27,1	11	33,3	24	18	28,5	96	108	1,5	8	350

## KIPP Cam Levers black, external thread, inch

Item No. steel	Item No. stainless steel	D	D1	D2	B	B1	H	H1	A	A1	L	Stroke S	Clamping force F (kN)	Hand force FH N
K0005.95011ADX	K0005.95111ADX	6-32	12	6	14,4	11,5	9	13	36,2	41,7	10/15/30	1	1,5	90
K0005.95011AEX	K0005.95111AEX	8-32	12	6	14,4	11,5	9	13	36,2	41,7	10/15/30	1	1,5	90
K0005.05011AEX	K0005.05111AEX	8-32	15,4	8	18	13	11,2	17	52,3	59,1	15/20/30	1	2,5	100
K0005.05011A0X	K0005.05111A0X	10-24	15,4	8	18	13	11,2	17	52,3	59,1	20/30/40/50	1	2,5	100
K0005.05011A1X	K0005.05111A1X	10-32	15,4	8	18	13	11,2	17	52,3	59,1	20/30/40/50	1	2,5	100
K0005.15011A1X	K0005.15111A1X	10-32	18,1	9	21,5	15	14,5	22	70,4	79,2	20/30/40/50	1,2	4	120
K0005.15011A2X	K0005.15111A2X	1/4-20	18,1	9	21,5	15	14,5	22	70,4	79,2	20/30/40/50	1,2	4	120
K0005.25011A3X	K0005.25111A3X	5/16-18	27,1	11	33,3	24	18	28,5	96	108	25/30/40/50	1,5	8	350
K0005.25011A4X	K0005.25111A4X	3/8-16	27,1	11	33,3	24	18	28,5	96	108	25/30/40/50	1,5	8	350

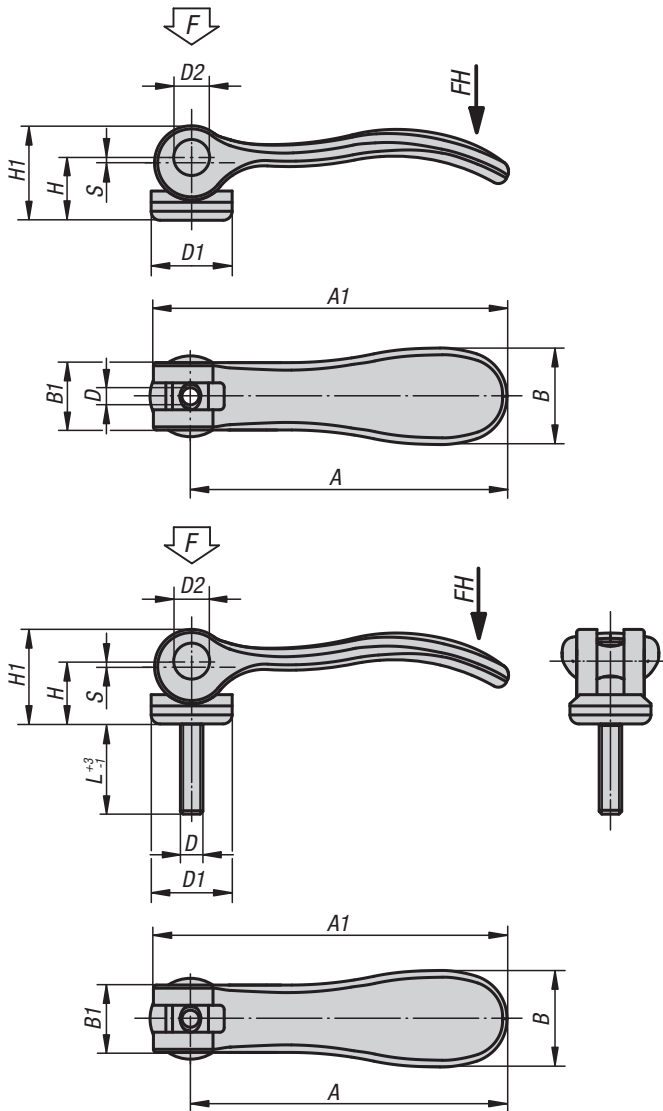
## KIPP Cam Levers red, external thread, inch

Item No. steel	Item No. stainless steel	D	D1	D2	B	B1	H	H1	A	A1	L	Stroke S	Clamping force F (kN)	Hand force FH N
K0005.95014ADX	K0005.95114ADX	6-32	12	6	14,4	11,5	9	13	36,2	41,7	10/15/30	1	1,5	90
K0005.95014AEX	K0005.95114AEX	8-32	12	6	14,4	11,5	9	13	36,2	41,7	10/15/30	1	1,5	90
K0005.05014AEX	K0005.05114AEX	8-32	15,4	8	18	13	11,2	17	52,3	59,1	15/20/30	1	2,5	100
K0005.05014A0X	K0005.05114A0X	10-24	15,4	8	18	13	11,2	17	52,3	59,1	20/30/40/50	1	2,5	100
K0005.05014A1X	K0005.05114A1X	10-32	15,4	8	18	13	11,2	17	52,3	59,1	20/30/40/50	1	2,5	100
K0005.15014A1X	K0005.15114A1X	10-32	18,1	9	21,5	15	14,5	22	70,4	79,2	20/30/40/50	1,2	4	120
K0005.15014A2X	K0005.15114A2X	1/4-20	18,1	9	21,5	15	14,5	22	70,4	79,2	20/30/40/50	1,2	4	120
K0005.25014A3X	K0005.25114A3X	5/16-18	27,1	11	33,3	24	18	28,5	96	108	25/30/40/50	1,5	8	350
K0005.25014A4X	K0005.25114A4X	3/8-16	27,1	11	33,3	24	18	28,5	96	108	25/30/40/50	1,5	8	350

## Cam Levers

with internal and external thread

METRIC  
Parts



**Material:**

Handle cast aluminum EN AC-46200.

Thrust washer plastic PA 66 GF 35-X fiberglass reinforced.

Hinge pin stainless steel 1.4305 (AISI 303 equivalent).

Stud and washer steel quality class 5.8 or stainless steel 1.4305 (AISI 303 equivalent).

**Type:**

Handles fine structure powder-coated, black or red RAL 3003.

Thrust washer, black.

Hinge pin, bright.

Studs and washer trivalent blue passivated steel or bright stainless steel.

**Part Number Example:**

K0005.95011ADX10

(include length L)

**Note:**

Plastics are subject to creeping when compressed (retardation).



# Cam Levers

with internal and external thread

## KIPP Cam Levers black, internal thread, metric

Item No. steel	Item No. stainless steel	D	D1	D2	B	B1	H	H1	A	A1	Stroke S	Clamping force F (kN)	Hand force FH N
K0005.9501103	K0005.9511103	M3	12	6	14,4	11,5	9	13	36,2	41,7	1	1,5	90
K0005.9501104	K0005.9511104	M4	12	6	14,4	11,5	9	13	36,2	41,7	1	1,5	90
K0005.0501104	K0005.0511104	M4	15,4	8	18	13	11,2	17	52,3	59,1	1	2,5	100
K0005.0501105	K0005.0511105	M5	15,4	8	18	13	11,2	17	52,3	59,1	1	2,5	100
K0005.1501105	K0005.1511105	M5	18,1	9	21,5	15	14,5	22	70,4	79,2	1,2	4	120
K0005.1501106	K0005.1511106	M6	18,1	9	21,5	15	14,5	22	70,4	79,2	1,2	4	120
K0005.2501108	K0005.2511108	M8	27,1	11	33,3	24	18	28,5	96	108	1,5	8	350

## KIPP Cam Levers red, internal thread, metric

Item No. steel	Item No. stainless steel	D	D1	D2	B	B1	H	H1	A	A1	Stroke S	Clamping force F (kN)	Hand force FH N
K0005.9501403	K0005.9511403	M3	12	6	14,4	11,5	9	13	36,2	41,7	1	1,5	90
K0005.9501404	K0005.9511404	M4	12	6	14,4	11,5	9	13	36,2	41,7	1	1,5	90
K0005.0501404	K0005.0511404	M4	15,4	8	18	13	11,2	17	52,3	59,1	1	2,5	100
K0005.0501405	K0005.0511405	M5	15,4	8	18	13	11,2	17	52,3	59,1	1	2,5	100
K0005.1501405	K0005.1511405	M5	18,1	9	21,5	15	14,5	22	70,4	79,2	1,2	4	120
K0005.1501406	K0005.1511406	M6	18,1	9	21,5	15	14,5	22	70,4	79,2	1,2	4	120
K0005.2501408	K0005.2511408	M8	27,1	11	33,3	24	18	28,5	96	108	1,5	8	350

## KIPP Cam Levers black, external thread, metric

Item No. steel	Item No. stainless steel	D	D1	D2	B	B1	H	H1	A	A1	L	Stroke S	Clamping force F (kN)	Hand force FH N
K0005.9501103X	K0005.9511103X	M3	12	6	14,4	11,5	9	13	36,2	41,7	10/15/30	1	1,5	90
K0005.9501104X	K0005.9511104X	M4	12	6	14,4	11,5	9	13	36,2	41,7	10/15/30	1	1,5	90
K0005.0501104X	K0005.0511104X	M4	15,4	8	18	13	11,2	17	52,3	59,1	15/20/30	1	2,5	100
K0005.0501105X	K0005.0511105X	M5	15,4	8	18	13	11,2	17	52,3	59,1	20/30/40/50	1	2,5	100
K0005.1501105X	K0005.1511105X	M5	18,1	9	21,5	15	14,5	22	70,4	79,2	20/30/40/50	1,2	4	120
K0005.1501106X	K0005.1511106X	M6	18,1	9	21,5	15	14,5	22	70,4	79,2	20/30/40/50	1,2	4	120
K0005.2501108X	K0005.2511108X	M8	27,1	11	33,3	24	18	28,5	96	108	25/30/40/50	1,5	8	350
K0005.2501110X	K0005.2511110X	M10	27,1	11	33,3	24	18	28,5	96	108	25/30/40/50	1,5	8	350

## KIPP Cam Levers red, external thread, metric

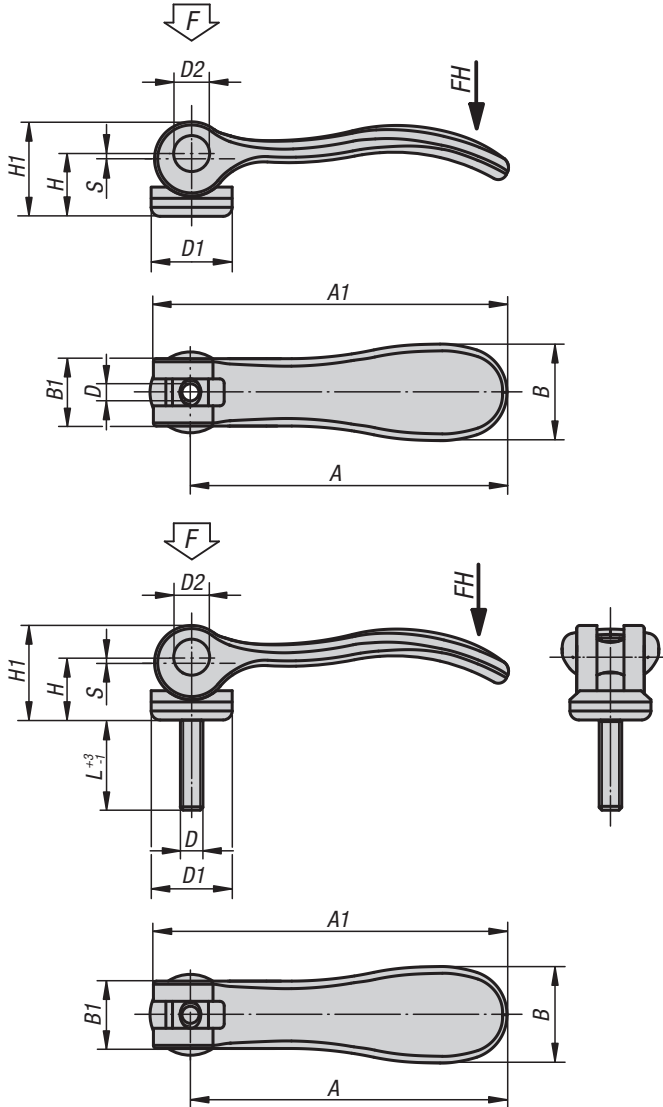
Item No. steel	Item No. stainless steel	D	D1	D2	B	B1	H	H1	A	A1	L	Stroke S	Clamping force F (kN)	Hand force FH N
K0005.9501403X	K0005.9511403X	M3	12	6	14,4	11,5	9	13	36,2	41,7	10/15/30	1	1,5	90
K0005.9501404X	K0005.9511404X	M4	12	6	14,4	11,5	9	13	36,2	41,7	10/15/30	1	1,5	90
K0005.0501404X	K0005.0511404X	M4	15,4	8	18	13	11,2	17	52,3	59,1	15/20/30	1	2,5	100
K0005.0501405X	K0005.0511405X	M5	15,4	8	18	13	11,2	17	52,3	59,1	20/30/40/50	1	2,5	100
K0005.1501405X	K0005.1511405X	M5	18,1	9	21,5	15	14,5	22	70,4	79,2	20/30/40/50	1,2	4	120
K0005.1501406X	K0005.1511406X	M6	18,1	9	21,5	15	14,5	22	70,4	79,2	20/30/40/50	1,2	4	120
K0005.2501408X	K0005.2511408X	M8	27,1	11	33,3	24	18	28,5	96	108	25/30/40/50	1,5	8	350
K0005.2501410X	K0005.2511410X	M10	27,1	11	33,3	24	18	28,5	96	108	25/30/40/50	1,5	8	350

## Cam Levers in stainless steel

with internal and external thread



Expanded Line



### Material:

Handle stainless steel 1.4308 (AISI "316" equivalent).  
 Thrust washer fiberglass reinforced plastic  
 PA 66 GF 35-X.  
 Hinge pin, screw and washer stainless steel 1.4305  
 (AISI 303 equivalent).

### Type:

Handle electropolished.  
 Thrust washer black.  
 Hinge pin, screw and washer bright.

### Part Number Example:

K0645.15120A1X20  
 (include length L)

### Note:

Plastics are subject to creeping when compressed  
 (retardation).  
 For the inch series, dimension D is in inches, all other  
 dimensions are in mm.

# Cam Levers in stainless steel

with internal and external thread

## KIPP Cam Levers in stainless steel with internal thread, inch

Item No. electropolished	Item No. blasted	D	D1	D2	B	B1	H	H1	A	A1	Stroke S	Clamping force F (kN)	Hand force FH N
K0645.95120AD	K0645.95123AD	6-32	12	6	14,4	11,5	9	13	36,2	41,7	1	1,5	90
K0645.95120AE	K0645.95123AE	8-32	12	6	14,4	11,5	9	13	36,2	41,7	1	1,5	90
K0645.05120AE	K0645.05123AE	8-32	15,4	8	18	13	11,2	17	52,3	59,1	1	2,5	100
K0645.05120A0	K0645.05123A0	10-24	15,4	8	18	13	11,2	17	52,3	59,1	1	2,5	100
K0645.05120A1	K0645.05123A1	10-32	15,4	8	18	13	11,2	17	52,3	59,1	1	2,5	100
K0645.15120A1	K0645.15123A1	10-32	18,1	9	21,5	15	14,5	22	70,4	79,2	1,2	4	120
K0645.15120A2	K0645.15123A2	1/4-20	18,1	9	21,5	15	14,5	22	70,4	79,2	1,2	4	120
K0645.25120A3	K0645.25123A2	5/16-18	27,1	11	33,3	24	18	28,5	96	108	1,5	8	350

## KIPP Cam Levers in stainless steel with external thread, inch

Item No. electropolished	D	D1	D2	B	B1	H	H1	A	A1	L	Stroke S	Clamping force F (kN)	Hand force FH N
K0645.95120ADX	6-32	12	6	14,4	11,5	9	13	36,2	41,7	10/15/30	1	1,5	90
K0645.95120AEX	8-32	12	6	14,4	11,5	9	13	36,2	41,7	10/15/30	1	1,5	90
K0645.05120AEX	8-32	15,4	8	18	13	11,2	17	52,3	59,1	15/20/30	1	2,5	100
K0645.05120A0X	10-24	15,4	8	18	13	11,2	17	52,3	59,1	20/30/40/50	1	2,5	100
K0645.05120A1X	10-32	15,4	8	18	13	11,2	17	52,3	59,1	20/30/40/50	1	2,5	100
K0645.15120A1X	10-32	18,1	9	21,5	15	14,5	22	70,4	79,2	20/30/40/50	1,2	4	120
K0645.15120A2X	1/4-20	18,1	9	21,5	15	14,5	22	70,4	79,2	20/30/40/50	1,2	4	120
K0645.25120A3X	5/16-18	27,1	11	33,3	24	18	28,5	96	108	25/30/40/50	1,5	8	350
K0645.25120A4X	3/8-16	27,1	11	33,3	24	18	28,5	96	108	25/30/40/50	1,5	8	350

## KIPP Cam Levers in stainless steel with internal thread, metric

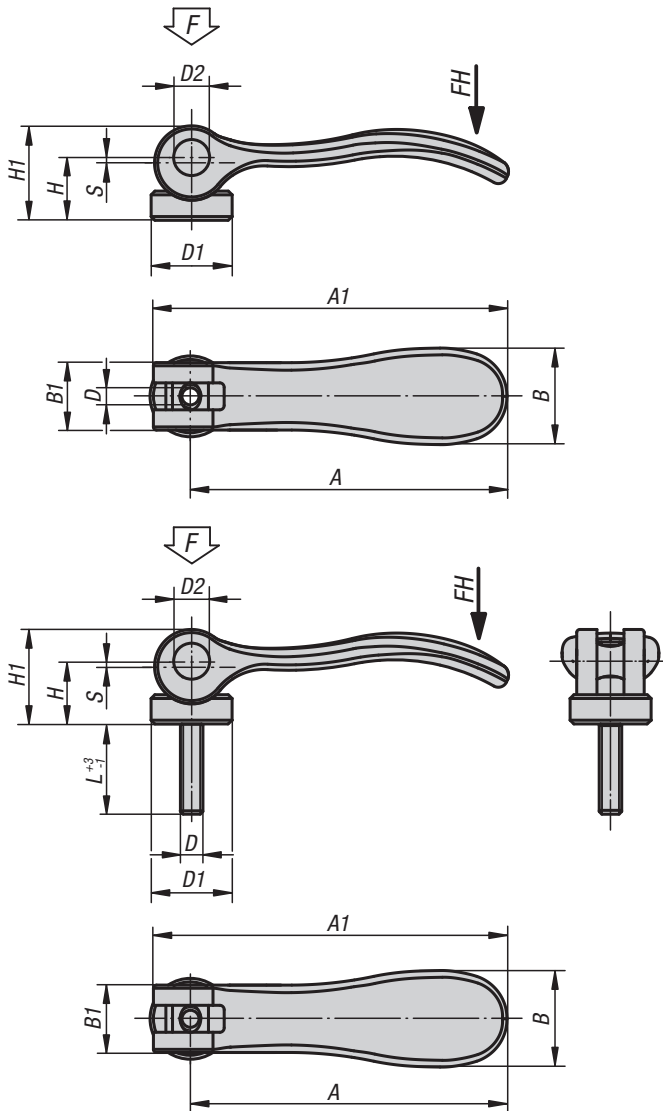
Item No. electropolished	Item No. blasted	D	D1	D2	B	B1	H	H1	A	A1	Stroke S	Clamping force F (kN)	Hand force FH N
K0645.9512003	K0645.9512303	M3	12	6	14,4	11,5	9	13	36,2	41,7	1	1,5	90
K0645.9512004	K0645.9512304	M4	12	6	14,4	11,5	9	13	36,2	41,7	1	1,5	90
K0645.0512004	K0645.0512304	M4	15,4	8	18	13	11,2	17	52,3	59,1	1	2,5	100
K0645.0512005	K0645.0512305	M5	15,4	8	18	13	11,2	17	52,3	59,1	1	2,5	100
K0645.1512005	K0645.1512305	M5	18,1	9	21,5	15	14,5	22	70,4	79,2	1,2	4	120
K0645.1512006	K0645.1512306	M6	18,1	9	21,5	15	14,5	22	70,4	79,2	1,2	4	120
K0645.2512008	K0645.2512308	M8	27,1	11	33,3	24	18	28,5	96	108	1,5	8	350

## KIPP Cam Levers in stainless steel with external thread, metric

Item No. electropolished	Item No. blasted	D	D1	D2	B	B1	H	H1	A	A1	L	Stroke S	Clamping force F (kN)	Hand force FH N
K0645.9512003X	K0645.9512303X	M3	12	6	14,4	11,5	9	13	36,2	41,7	10/15/30	1	1,5	90
K0645.9512004X	K0645.9512304X	M4	12	6	14,4	11,5	9	13	36,2	41,7	10/15/30	1	1,5	90
K0645.0512004X	K0645.0512304X	M4	15,4	8	18	13	11,2	17	52,3	59,1	15/20/30	1	2,5	100
K0645.0512005X	K0645.0512305X	M5	15,4	8	18	13	11,2	17	52,3	59,1	20/30/40/50	1	2,5	100
K0645.1512005X	K0645.1512305X	M5	18,1	9	21,5	15	14,5	22	70,4	79,2	20/30/40/50	1,2	4	120
K0645.1512006X	K0645.1512306X	M6	18,1	9	21,5	15	14,5	22	70,4	79,2	20/30/40/50	1,2	4	120
K0645.2512008X	K0645.2512308X	M8	27,1	11	33,3	24	18	28,5	96	108	25/30/40/50	1,5	8	350
K0645.2512010X	K0645.2512310X	M10	27,1	11	33,3	24	18	28,5	96	108	25/30/40/50	1,5	8	350

## Cam levers in stainless steel

with internal or external thread, thrust washer entirely stainless steel



**Material:**

Handle stainless steel 1.4308 (AISI "316" equivalent).  
 Thrust washer stainless steel 1.4034 (AISI 420 equivalent), hardened.  
 Hinge pin and stud stainless steel 1.4305 (AISI 303 equivalent).

**Type:**

Handle electropolished or blasted.  
 Thrust washer, hinge pin and screw bright.

**Part Number Example:**

K0645.0541005X20 (include length L)

**Note:**

For the inch series, dimension D is in inches, all other dimensions are in mm.

The thrust washer face is lightly greased before delivery.  
 The grease conforms to FDA and is suitable for use in the foodstuff and pharmaceutical industries.

## Cam levers in stainless steel

with internal or external thread, thrust washer entirely stainless steel

### KIPP Cam levers, stainless steel, with internal thread; thrust washer stainless steel, inch

Item No. electropolished	Item No. blasted	D	D1	D2	B	B1	H	H1	A	A1	Stroke S	Clamping force F (kN)	Hand force FH N
K0645.95410AD	K0645.95413AD	6-32	12	6	14,4	11,5	9	13,5	36,2	41,7	1	1,5	90
K0645.95410AE	K0645.95413AE	8-32	12	6	14,4	11,5	9	13,5	36,2	41,7	1	1,5	90
K0645.05410AE	K0645.05413AE	8-32	15,4	8	18	13	11,4	17,2	52,3	59,1	1	2,5	100
K0645.05410A0	K0645.05413A0	10-24	15,4	8	18	13	11,4	17,2	52,3	59,1	1	2,5	100
K0645.05410A1	K0645.05413A1	10-32	15,4	8	18	13	11,4	17,2	52,3	59,1	1	2,5	100
K0645.15410A1	K0645.15413A1	10-32	18	9	21,5	15	14,7	22	70,4	79,2	1,2	4	120
K0645.15410A2	K0645.15413A2	1/4-20	18	9	21,5	15	14,7	22	70,4	79,2	1,2	4	120
K0645.25410A3	K0645.25413A3	5/16-18	27	11	33,3	24	18,3	28,8	96	108	1,5	8	350

### KIPP Cam levers, stainless steel, with internal thread; thrust washer stainless steel, metric

Item No. electropolished	Item No. blasted	D	D1	D2	B	B1	H	H1	A	A1	Stroke S	Clamping force F (kN)	Hand force FH N
K0645.9541003	K0645.9541303	M3	12	6	14,4	11,5	9	13,5	36,2	41,7	1	1,5	90
K0645.9541004	K0645.9541304	M4	12	6	14,4	11,5	9	13,5	36,2	41,7	1	1,5	90
K0645.0541004	K0645.0541304	M4	15,4	8	18	13	11,4	17,2	52,3	59,1	1	2,5	100
K0645.0541005	K0645.0541305	M5	15,4	8	18	13	11,4	17,2	52,3	59,1	1	2,5	100
K0645.1541005	K0645.1541305	M5	18	9	21,5	15	14,7	22	70,4	79,2	1,2	4	120
K0645.1541006	K0645.1541306	M6	18	9	21,5	15	14,7	22	70,4	79,2	1,2	4	120
K0645.2541008	K0645.2541308	M8	27	11	33,3	24	18,3	28,8	96	108	1,5	8	350

### KIPP Cam levers, stainless steel, with external thread; thrust washer stainless steel, metric

Item No. electropolished	Item No. blasted	D	D1	D2	B	B1	H	H1	A	A1	L	Stroke S	Clamping force F (kN)	Hand force FH N
K0645.9541003X	K0645.9541303X	M3	12	6	14,4	11,5	9	13,5	36,2	41,7	10/15/30	1	1,5	90
K0645.9541004X	K0645.9541304X	M4	12	6	14,4	11,5	9	13,5	36,2	41,7	10/15/30	1	1,5	90
K0645.0541004X	K0645.0541304X	M4	15,4	8	18	13	11,4	17,2	52,3	59,1	15/20/30	1	2,5	100
K0645.0541005X	K0645.0541305X	M5	15,4	8	18	13	11,4	17,2	52,3	59,1	20/30/40/50	1	2,5	100
K0645.1541005X	K0645.1541305X	M5	18	9	21,5	15	14,7	22	70,4	79,2	20/30/40/50	1,2	4	120
K0645.1541006X	K0645.1541306X	M6	18	9	21,5	15	14,7	22	70,4	79,2	20/30/40/50	1,2	4	120
K0645.2541008X	K0645.2541308X	M8	27	11	33,3	24	18,3	28,8	96	108	25/30/40/50	1,5	8	350
K0645.2541010X	K0645.2541310X	M10	27	11	33,3	24	18,3	28,8	96	108	25/30/40/50	1,5	8	350

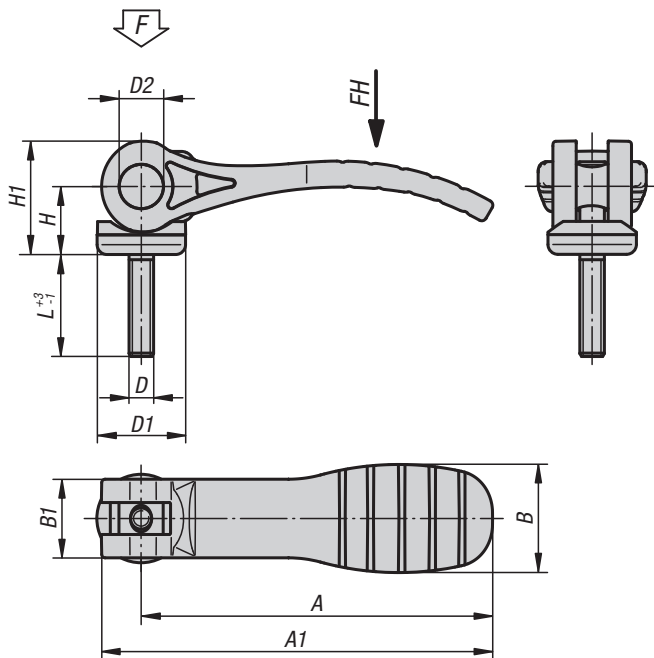
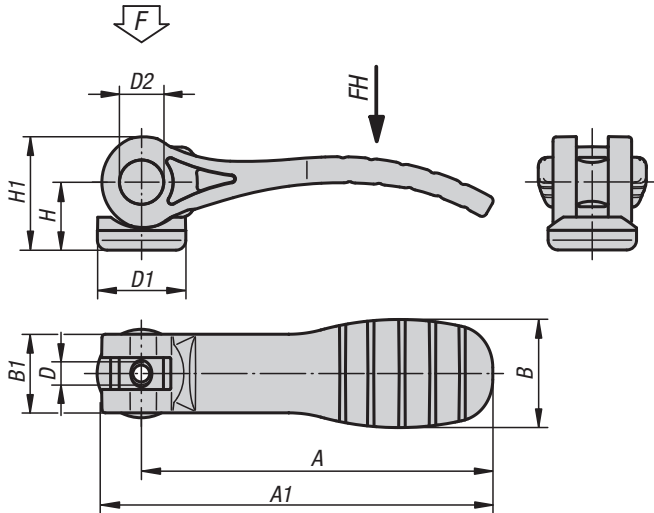
## Cam Levers with plastic handle

with internal and external thread, steel or stainless steel



INCH Parts  
METRIC Parts

Expanded Line



**Material:**

Handle and thrust washer plastic PA 66 fiberglass reinforced.  
Hinge pin stainless steel 1.4305 (AISI 303 equivalent).  
Stud and washer steel quality class 5.8 or stainless steel 1.4305 (AISI 303 equivalent).

**Type:**

Handle black or traffic red RAL3020.  
Thrust washer black.  
Hinge pin bright.  
Stud and washer trivalent blue passivated or bright stainless steel.

**Part Number Example:**

K0646.15211A1X20  
(include length L)

**Note:**

For the inch series, dimension D is in inches, all other dimensions are in mm.  
Plastics are subject to creeping under load (retardation), this can cause reduced clamping force.

# Cam Levers with plastic handle

with internal and external thread, steel or stainless steel

## KIPP Cam Levers with plastic handle and internal thread, inch

Item No. steel	Item No. stainless steel	Main color	D	D1	D2	B	B1	H	H1	A	A1	Stroke S	Clamping force F (kN)	Hand force FH N
K0646.15211A1	K0646.15311A1	black	10-32	18,1	9	22	16	14	23,4	71,5	79,6	1,15	2,5	125
K0646.15211A2	K0646.15311A2	black	1/4-20	18,1	9	22	16	14	23,4	71,5	79,6	1,15	2,5	125
K0646.25211A3	K0646.25311A3	black	5/16-18	27,1	11	33	24,2	16,2	27,7	100	110	1,5	5	170
K0646.152184A1	K0646.153184A1	red	10-32	18,1	9	22	16	14	23,4	71,5	79,6	1,15	2,5	125
K0646.152184A2	K0646.153184A2	red	1/4-20	18,1	9	22	16	14	23,4	71,5	79,6	1,15	2,5	125
K0646.252184A3	K0646.253184A3	red	5/16-18	27,1	11	33	24,2	16,2	27,7	100	110	1,5	5	170

## KIPP Cam Levers with plastic handle and external thread, inch

Item No. steel	Item No. stainless steel	Main color	D	D1	D2	B	B1	H	H1	A	A1	L	Stroke S	Clamping force F (kN)	Hand force FH N
K0646.15211A1X	K0646.15311A1X	black	10-32	18,1	9	22	16	14	23,4	71,5	79,6	20/30/40/50	1,15	2,5	125
K0646.15211A2X	K0646.15311A2X	black	1/4-20	18,1	9	22	16	14	23,4	71,5	79,6	20/30/40/50	1,15	2,5	125
K0646.25211A3X	K0646.25311A3X	black	5/16-18	27,1	11	33	24,2	16,2	27,7	100	110	25/30/40/50	1,5	5	170
K0646.25211A4X	K0646.25311A4X	black	3/8-16	27,1	11	33	24,2	16,2	27,7	100	110	25/30/40/50	1,5	5	170
K0646.152184A1X	K0646.153184A1X	red	10-32	18,1	9	22	16	14	23,4	71,5	79,6	20/30/40/50	1,15	2,5	125
K0646.152184A2X	K0646.153184A2X	red	1/4-20	18,1	9	22	16	14	23,4	71,5	79,6	20/30/40/50	1,15	2,5	125
K0646.252184A3X	K0646.253184A3X	red	5/16-18	27,1	11	33	24,2	16,2	27,7	100	110	25/30/40/50	1,5	5	170
K0646.252184A4X	K0646.253184A4X	red	3/8-16	27,1	11	33	24,2	16,2	27,7	100	110	25/30/40/50	1,5	5	170

## KIPP Cam Levers with plastic handle and internal thread, metric

Item No. steel	Item No. stainless steel	Main color	D	D1	D2	B	B1	H	H1	A	A1	Stroke S	Clamping force F (kN)	Hand force FH N
K0646.1521105	K0646.1531105	black	M5	18,1	9	22	16	14	23,4	71,5	79,6	1,15	2,5	125
K0646.1521106	K0646.1531106	black	M6	18,1	9	22	16	14	23,4	71,5	79,6	1,15	2,5	125
K0646.2521108	K0646.2531108	black	M8	27,1	11	33	24,2	16,2	27,7	100	110	1,5	5	170
K0646.15218405	K0646.15318405	red	M5	18,1	9	22	16	14	23,4	71,5	79,6	1,15	2,5	125
K0646.15218406	K0646.15318406	red	M6	18,1	9	22	16	14	23,4	71,5	79,6	1,15	2,5	125
K0646.25218408	K0646.25318408	red	M8	27,1	11	33	24,2	16,2	27,7	100	110	1,5	5	170

## KIPP Cam Levers with plastic handle and external thread, metric

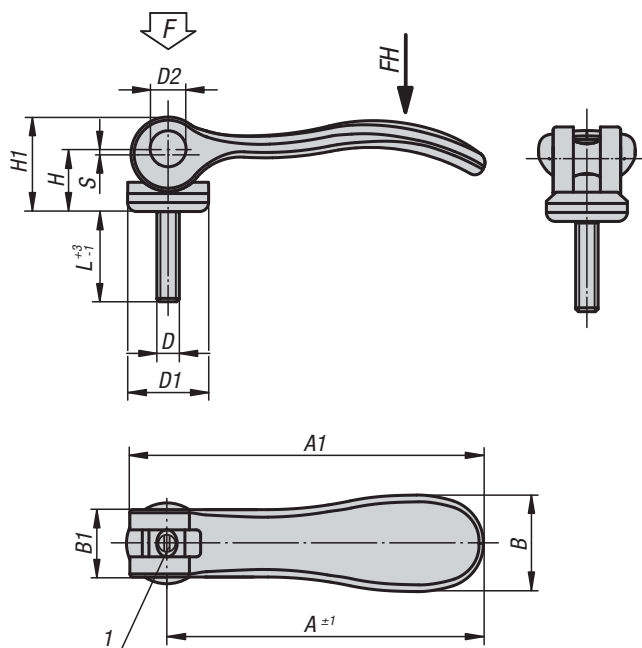
Item No. steel	Item No. stainless steel	Main color	D	D1	D2	B	B1	H	H1	A	A1	L	Stroke S	Clamping force F (kN)	Hand force FH N
K0646.1521105X	K0646.1531105X	black	M5	18,1	9	22	16	14	23,4	71,5	79,6	20/30/40/50	1,15	2,5	125
K0646.1521106X	K0646.1531106X	black	M6	18,1	9	22	16	14	23,4	71,5	79,6	20/30/40/50	1,15	2,5	125
K0646.2521108X	K0646.2531108X	black	M8	27,1	11	33	24,2	16,2	27,7	100	110	25/30/40/50	1,5	5	170
K0646.2521110X	K0646.2531110X	black	M10	27,1	11	33	24,2	16,2	27,7	100	110	25/30/40/50	1,5	5	170
K0646.15218405X	K0646.15318405X	red	M5	18,1	9	22	16	14	23,4	71,5	79,6	20/30/40/50	1,15	2,5	125
K0646.15218406X	K0646.15318406X	red	M6	18,1	9	22	16	14	23,4	71,5	79,6	20/30/40/50	1,15	2,5	125
K0646.25218408X	K0646.25318408X	red	M8	27,1	11	33	24,2	16,2	27,7	100	110	25/30/40/50	1,5	5	170
K0646.25218410X	K0646.25318410X	red	M10	27,1	11	33	24,2	16,2	27,7	100	110	25/30/40/50	1,5	5	170



## Adjustable Cam Levers

external thread, steel

INCH Parts  
METRIC Parts



**Material:**

Handle steel 1.0401.  
Thrust washer plastic PA 66 GF 35-X fiberglass reinforced.  
Hinge pin stainless steel 1.4305 (AISI 303 equivalent).  
Stud and washer steel, quality class 5.8.

**Type:**

Handle, stud and washer trivalent blue passivated.  
Thrust washer black.  
Hinge pin bright.

**Part Number Example:**

K0789.1502205X20 (include length L)

**Note:**

For the inch series, dimension D is in inches, all other dimensions are in mm. Adjustable cam levers are used when obstacles near the cam lever allow for clamping in only one specific position. The screwdriver slot located at the top of the stud enables adjustment of the tension, without rotating the handle, for optimum center-over cam clamping. Plastic materials are subject to creep under compression (Retardation).

**Drawing reference:**

1) pin for the fine adjustment of the tensioning lever

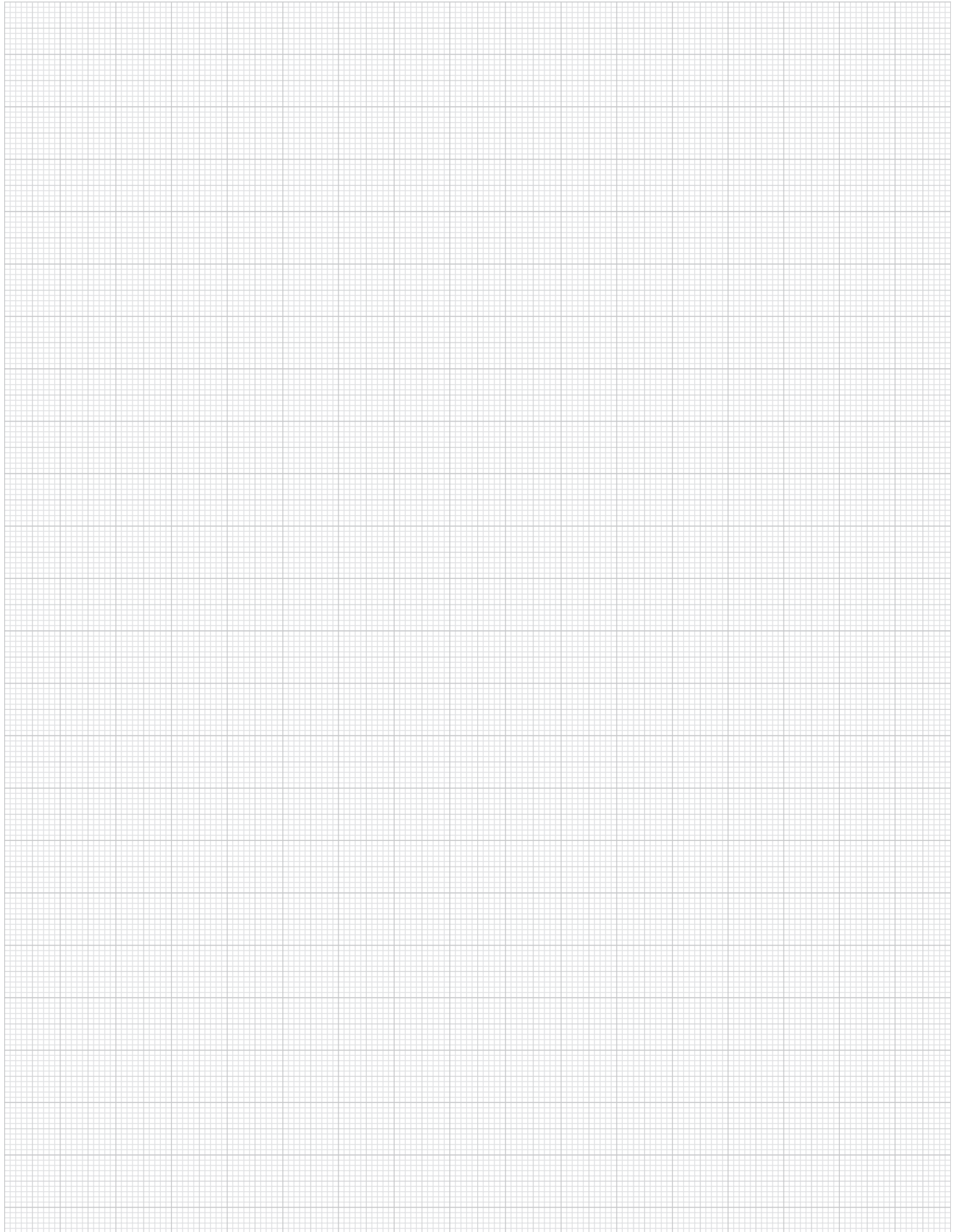
### KIPP Adjustable Cam Levers, external thread, steel, inch

Item No.	Size	D	D1	D2	B	B1	H	H1	A	A1	L	Stroke S	Clamping force F (kN)	Hand force FH N
K0789.15022A1X	1	10-32	18,1	9	21,5	15	14,5	22	70,4	79,2	20/30/40/50	1,2	4	120
K0789.15022A2X	1	1/4-20	18,1	9	21,5	15	14,5	22	70,4	79,2	20/30/40/50	1,2	4	120
K0789.25022A3X	2	5/16-18	27,1	11	33,2	24	18	28,5	96	108	25/30/40/50	1,5	8	350
K0789.25022A4X	2	3/8-16	27,1	11	33,2	24	18	28,5	96	108	25/30/40/50	1,5	8	350

### KIPP Adjustable Cam Levers, external thread, steel, metric

Item No.	Size	D	D1	D2	B	B1	H	H1	A	A1	L	Stroke S	Clamping force F (kN)	Hand force FH N
K0789.1502205X	1	M5	18,1	9	21,5	15	14,5	22	70,4	79,2	20/30/40/50	1,2	4	120
K0789.1502206X	1	M6	18,1	9	21,5	15	14,5	22	70,4	79,2	20/30/40/50	1,2	4	120
K0789.2502208X	2	M8	27,1	11	33,2	24	18	28,5	96	108	25/30/40/50	1,5	8	350
K0789.2502210X	2	M10	27,1	11	33,2	24	18	28,5	96	108	25/30/40/50	1,5	8	350

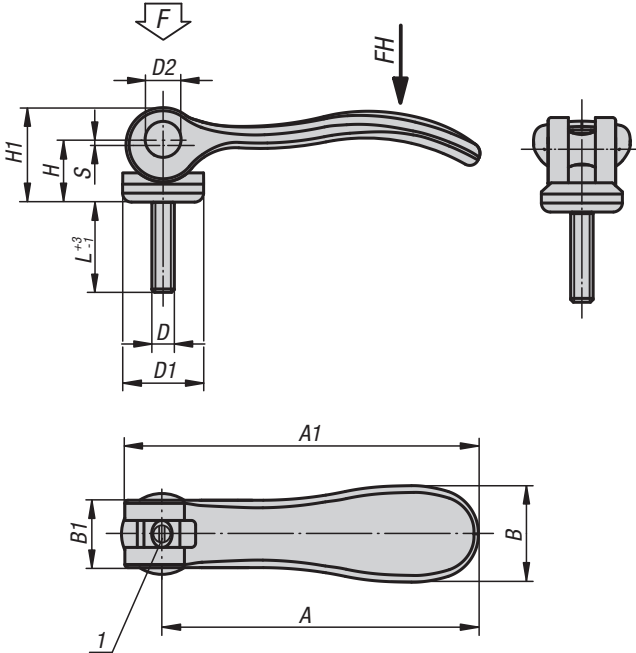
Notes:



## Adjustable Cam Levers

with external thread, steel or stainless steel

INCH  
Parts



### Material:

Handle cast aluminum EN AC-46200.  
Thrust washer fiberglass reinforced plastic PA 66 GF 35-X.  
Hinge pin stainless steel 1.4305 (AISI 303 equivalent).  
Screw and washer steel quality class 5.8 or stainless steel 1.4305 (AISI 303 equivalent).

### Type:

Handle fine structure powder-coated, black or red RAL 3003.  
Thrust washer, black.  
Hinge pin, bright.  
Stud and washer blue chromed steel or bright stainless steel.

### Part Number Example:

K0006.95011ADX20  
(include length L)

### Note:

For the inch series, dimension D is in inches, all other dimensions are in mm. Adjustable cam levers are used when obstacles near the cam lever allow for clamping in only one specific position. The screwdriver slot located at the top of the stud enables adjustment of the tension, without rotating the handle, for optimum center-over cam clamping. Plastic materials are subject to creep under compression (Retardation).

### Drawing reference:

1) pin for the fine adjustment of the tensioning lever

### KIPP Adjustable Cam Levers black, external thread, inch

Item No. steel	Item No. stainless steel	D	D1	D2	B	B1	H	H1	A	A1	L	Stroke S	Clamping force F (kN)	Hand force FH N
K0006.95011ADX	K0006.95111ADX	6-32	12	6	14,4	11,5	9	13	36,2	41,7	10/15/30	1	1,5	90
K0006.95011AEX	K0006.95111AEX	8-32	12	6	14,4	11,5	9	13	36,2	41,7	10/15/30	1	1,5	90
K0006.05011AEX	K0006.05111AEX	8-32	15,4	8	18	13	11,2	17	52,3	59,1	15/20/30	1	2,5	100
K0006.05011A0X	K0006.05111A0X	10-24	15,4	8	18	13	11,2	17	52,3	59,1	20/30/40/50	1	2,5	100
K0006.05011A1X	K0006.05111A1X	10-32	15,4	8	18	13	11,2	17	52,3	59,1	20/30/40/50	1	2,5	100
K0006.15011A1X	K0006.15111A1X	10-32	18,1	9	21,5	15	14,5	22	70,4	79,2	20/30/40/50	1,2	4	120
K0006.15011A2X	K0006.15111A2X	1/4-20	18,1	9	21,5	15	14,5	22	70,4	79,2	20/30/40/50	1,2	4	120
K0006.25011A3X	K0006.25111A3X	5/16-18	27,1	11	33,3	24	18	28,5	96	108	25/30/40/50	1,5	8	350
K0006.25011A4X	K0006.25111A4X	3/8-16	27,1	11	33,3	24	18	28,5	96	108	25/30/40/50	1,5	8	350

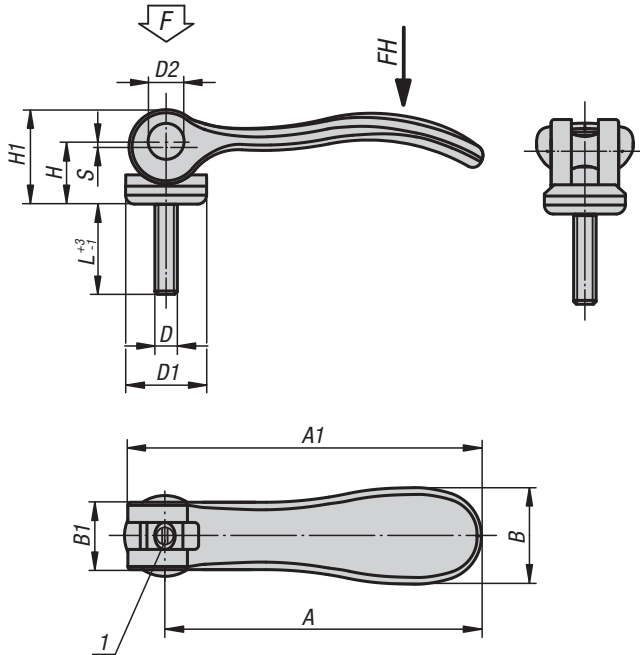
### KIPP Adjustable Cam Levers red, external thread, inch

Item No. steel	Item No. stainless steel	D	D1	D2	B	B1	H	H1	A	A1	L	Stroke S	Clamping force F (kN)	Hand force FH N
K0006.95014ADX	K0006.95114ADX	6-32	12	6	14,4	11,5	9	13	36,2	41,7	10/15/30	1	1,5	90
K0006.95014AEX	K0006.95114AEX	8-32	12	6	14,4	11,5	9	13	36,2	41,7	10/15/30	1	1,5	90
K0006.05014AEX	K0006.05114AEX	8-32	15,4	8	18	13	11,2	17	52,3	59,1	15/20/30	1	2,5	100
K0006.05014A0X	K0006.05114A0X	10-24	15,4	8	18	13	11,2	17	52,3	59,1	20/30/40/50	1	2,5	100
K0006.05014A1X	K0006.05114A1X	10-32	15,4	8	18	13	11,2	17	52,3	59,1	20/30/40/50	1	2,5	100
K0006.15014A1X	K0006.15114A1X	10-32	18,1	9	21,5	15	14,5	22	70,4	79,2	20/30/40/50	1,2	4	120
K0006.15014A2X	K0006.15114A2X	1/4-20	18,1	9	21,5	15	14,5	22	70,4	79,2	20/30/40/50	1,2	4	120
K0006.25014A3X	K0006.25114A3X	5/16-18	27,1	11	33,3	24	18	28,5	96	108	25/30/40/50	1,5	8	350
K0006.25014A4X	K0006.25114A4X	3/8-16	27,1	11	33,3	24	18	28,5	96	108	25/30/40/50	1,5	8	350

## Adjustable Cam Levers

with external thread, steel or stainless steel

METRIC  
Parts



**Material:**

Handle cast aluminum EN AC-46200.  
Thrust washer fiberglass reinforced plastic PA 66 GF 35-X.  
Hinge pin stainless steel 1.4305 (AISI 303 equivalent).  
Screw and washer steel quality class 5.8 or stainless steel 1.4305 (AISI 303 equivalent).

**Type:**

Handle fine structure powder-coated, black or red RAL 3003.  
Thrust washer, black.  
Hinge pin, bright.  
Stud and washer blue chromed steel or bright stainless steel.

**Part Number Example:**

K0006.95011ADX20  
(include length L)

**Note:**

For the inch series, dimension D is in inches, all other dimensions are in mm. Adjustable cam levers are used when obstacles near the cam lever allow for clamping in only one specific position. The screwdriver slot located at the top of the stud enables adjustment of the tension, without rotating the handle, for optimum center-over cam clamping. Plastic materials are subject to creep under compression (Retardation).

**Drawing reference:**

1) pin for the fine adjustment of the tensioning lever

### KIPP Adjustable Cam Levers black, external thread, metric

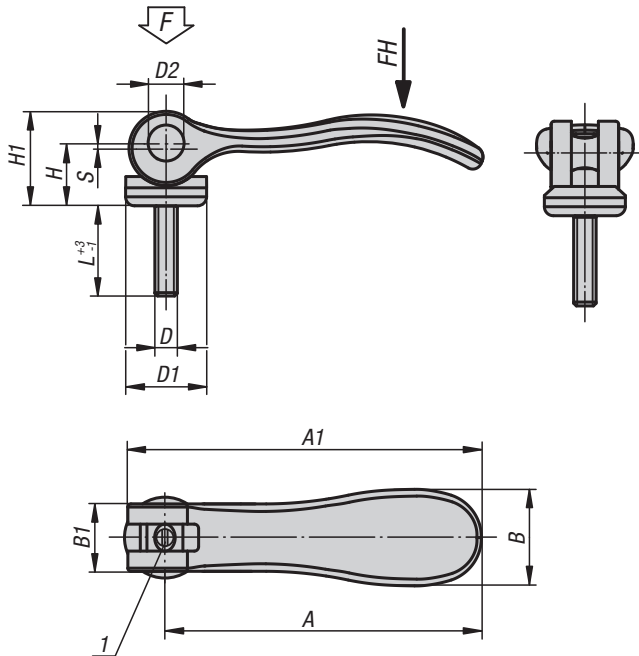
Item No. steel	Item No. stainless steel	D	D1	D2	B	B1	H	H1	A	A1	L	Stroke S	Clamping force F (kN)	Hand force FH N
K0006.9501103X	K0006.9511103X	M3	12	6	14,4	11,5	9	13	36,2	41,7	10/15/30	1	1,5	90
K0006.9501104X	K0006.9511104X	M4	12	6	14,4	11,5	9	13	36,2	41,7	10/15/30	1	1,5	90
K0006.0501104X	K0006.0511104X	M4	15,4	8	18	13	11,2	17	52,3	59,1	15/20/30	1	2,5	100
K0006.0501105X	K0006.0511105X	M5	15,4	8	18	13	11,2	17	52,3	59,1	20/30/40/50	1	2,5	100
K0006.1501105X	K0006.1511105X	M5	18,1	9	21,5	15	14,5	22	70,4	79,2	20/30/40/50	1,2	4	120
K0006.1501106X	K0006.1511106X	M6	18,1	9	21,5	15	14,5	22	70,4	79,2	20/30/40/50	1,2	4	120
K0006.2501108X	K0006.2511108X	M8	27,1	11	33,3	24	18	28,5	96	108	25/30/40/50	1,5	8	350
K0006.2501110X	K0006.2511110X	M10	27,1	11	33,3	24	18	28,5	96	108	25/30/40/50	1,5	8	350

### KIPP Adjustable Cam Levers red, external thread, metric

Item No. steel	Item No. stainless steel	D	D1	D2	B	B1	H	H1	A	A1	L	Stroke S	Clamping force F (kN)	Hand force FH N
K0006.9501403X	K0006.9511403X	M3	12	6	14,4	11,5	9	13	36,2	41,7	10/15/30	1	1,5	90
K0006.9501404X	K0006.9511404X	M4	12	6	14,4	11,5	9	13	36,2	41,7	10/15/30	1	1,5	90
K0006.0501404X	K0006.0511404X	M4	15,4	8	18	13	11,2	17	52,3	59,1	15/20/30	1	2,5	100
K0006.0501405X	K0006.0511405X	M5	15,4	8	18	13	11,2	17	52,3	59,1	20/30/40/50	1	2,5	100
K0006.1501405X	K0006.1511405X	M5	18,1	9	21,5	15	14,5	22	70,4	79,2	20/30/40/50	1,2	4	120
K0006.1501406X	K0006.1511406X	M6	18,1	9	21,5	15	14,5	22	70,4	79,2	20/30/40/50	1,2	4	120
K0006.2501408X	K0006.2511408X	M8	27,1	11	33,3	24	18	28,5	96	108	25/30/40/50	1,5	8	350
K0006.2501410X	K0006.2511410X	M10	27,1	11	33,3	24	18	28,5	96	108	25/30/40/50	1,5	8	350

## Adjustable Cam Levers in stainless steel

with external thread



**Material:**

Handle stainless steel 1.4308 (AISI "316" equivalent).  
 Thrust washer fiberglass reinforced plastic PA 66 GF 35-X.  
 Hinge pin, screw and washer stainless steel 1.4305 (AISI 303 equivalent).

**Type:**

Handle electropolished.  
 Thrust washer black.  
 Hinge pin, screw and washer bright.

**Part Number Example:**

K0647.15120A1X20  
 (include length L)

**Note:**

For the inch series, dimension D is in inches, all other dimensions are in mm. Adjustable cam levers are used when obstacles near the cam lever allow for clamping in only one specific position. The screwdriver slot located at the top of the stud enables adjustment of the tension, without rotating the handle, for optimum center-over cam clamping. Plastic materials are subject to creep under compression (Retardation).

**Drawing reference:**

1) pin for the fine adjustment of the tensioning lever

### KIPP Adjustable Cam Levers with external thread, all stainless steel, inch

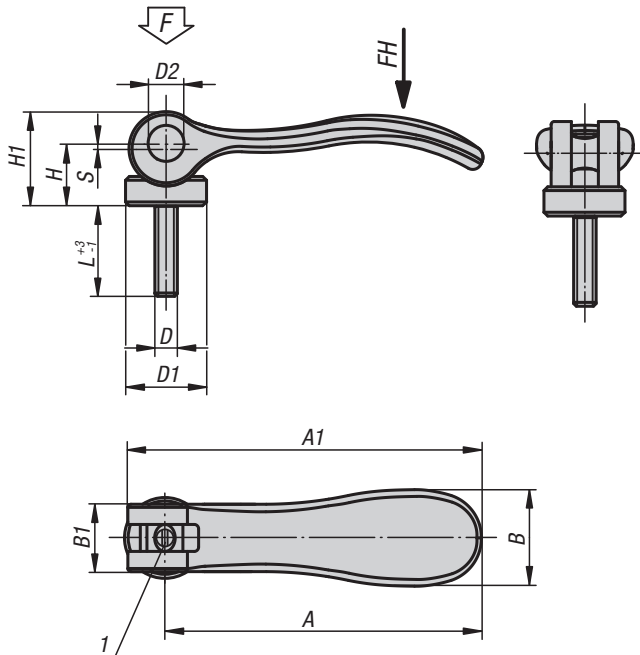
Item No. electropolished	Item No. blasted	D	D1	D2	B	B1	H	H1	A	A1	L	Stroke S	Clamping force F (kN)	Hand force FH N
K0647.95120ADX	K0647.95123ADX	6-32	12	6	14,4	11,5	9	13	36,2	41,7	10/15/30	1	1,5	90
K0647.95120AEX	K0647.95123AEX	8-32	12	6	14,4	11,5	9	13	36,2	41,7	10/15/30	1	1,5	90
K0647.05120AEX	K0647.05123AEX	8-32	15,4	8	18	13	11,2	17	52,3	59,1	15/20/30	1	2,5	100
K0647.05120A0X	K0647.05123A0X	10-24	15,4	8	18	13	11,2	17	52,3	59,1	20/30/40/50	1	2,5	100
K0647.05120A1X	K0647.05123A1X	10-32	15,4	8	18	13	11,2	17	52,3	59,1	20/30/40/50	1	2,5	100
K0647.15120A1X	K0647.15123A1X	10-32	18,1	9	21,5	15	14,5	22	70,4	79,2	20/30/40/50	1,2	4	120
K0647.15120A2X	K0647.15123A2X	1/4-20	18,1	9	21,5	15	14,5	22	70,4	79,2	20/30/40/50	1,2	4	120
K0647.25120A3X	K0647.25123A3X	5/16-18	27,1	11	33,3	24	18	28,5	96	108	25/30/40/50	1,5	8	350
K0647.25120A4X	K0647.25123A4X	3/8-16	27,1	11	33,3	24	18	28,5	96	108	25/30/40/50	1,5	8	350

### KIPP Adjustable Cam Levers with external thread, all stainless steel, metric

Item No. electropolished	Item No. blasted	D	D1	D2	B	B1	H	H1	A	A1	L	Stroke S	Clamping force F (kN)	Hand force FH N
K0647.9512003X	K0647.9512303X	M3	12	6	14,4	11,5	9	13	36,2	41,7	10/15/30	1	1,5	90
K0647.9512004X	K0647.9512304X	M4	12	6	14,4	11,5	9	13	36,2	41,7	10/15/30	1	1,5	90
K0647.0512004X	K0647.0512304X	M4	15,4	8	18	13	11,2	17	52,3	59,1	15/20/30	1	2,5	100
K0647.0512005X	K0647.0512305X	M5	15,4	8	18	13	11,2	17	52,3	59,1	20/30/40/50	1	2,5	100
K0647.1512005X	K0647.1512305X	M5	18,1	9	21,5	15	14,5	22	70,4	79,2	20/30/40/50	1,2	4	120
K0647.1512006X	K0647.1512306X	M6	18,1	9	21,5	15	14,5	22	70,4	79,2	20/30/40/50	1,2	4	120
K0647.2512008X	K0647.2512308X	M8	27,1	11	33,3	24	18	28,5	96	108	25/30/40/50	1,5	8	350
K0647.2512010X	K0647.2512310X	M10	27,1	11	33,3	24	18	28,5	96	108	25/30/40/50	1,5	8	350

## Adjustable Cam Levers in stainless steel

with external thread, thrust washer entirely stainless steel



**Material:**

Handle stainless steel 1.4308 (AISI "316" equivalent).  
 Thrust washer stainless steel 1.4034 (AISI 420 equivalent), hardened.  
 Hinge pin and stud stainless steel 1.4305 (AISI 303 equivalent).

**Type:**

Handle electropolished or blasted.  
 Thrust washer, hinge pin and screw bright.

**Part Number Example:**

K0647.0541305X20 (include length L)

**Note:**

For the inch series, dimension D is in inches, all other dimensions are in mm. Adjustable cam levers are used when obstacles near the cam lever allow for clamping in only one specific position. The screwdriver slot located at the top of the stud enables adjustment of the tension, without rotating the handle, for optimum center-over cam clamping.

The thrust washer face is lightly greased before delivery. The grease conforms to FDA and is suitable for use in the foodstuff and pharmaceutical industries.

**Drawing reference:**

1) pin for the fine adjustment of the tensioning lever

### KIPP Cam levers adjustable, stainless steel, with external thread, thrust washer stainless steel, inch

Item No. electropolished	Item No. blasted	D	D1	D2	B	B1	H	H1	A	A1	L	Stroke S	Clamping force F (kN)	Hand force FH N
K0647.95410ADX	K0647.95413ADX	6-32	12	6	14,4	11,5	9	13,5	36,2	41,7	10/15/30	1	1,5	90
K0647.95410AEX	K0647.95413AEX	8-32	12	6	14,4	11,5	9	13,5	36,2	41,7	10/15/30	1	1,5	90
K0647.05410AEX	K0647.05413AEX	8-32	15,4	8	18	13	11,4	17,2	52,3	59,1	15/20/30	1	2,5	100
K0647.05410A0X	K0647.05413A0X	10-24	15,4	8	18	13	11,4	17,2	52,3	59,1	20/30/40/50	1	2,5	100
K0647.05410A1X	K0647.05413A1X	10-32	15,4	8	18	13	11,4	17,2	52,3	59,1	20/30/40/50	1	2,5	100
K0647.15410A1X	K0647.15413A1X	10-32	18	9	21,5	15	14,7	22	70,4	79,2	20/30/40/50	1,2	4	120
K0647.15410A2X	K0647.15413A2X	1/4-20	18	9	21,5	15	14,7	22	70,4	79,2	20/30/40/50	1,2	4	120
K0647.25410A3X	K0647.25413A3X	5/16-18	27	11	33,3	24	18,3	28,8	96	108	25/30/40/50	1,5	8	350
K0647.25410A4X	K0647.25413A4X	3/8-16	27	11	33,3	24	18,3	28,8	96	108	25/30/40/50	1,5	8	350

### KIPP Cam levers adjustable, stainless steel, with external thread, thrust washer stainless steel, metric

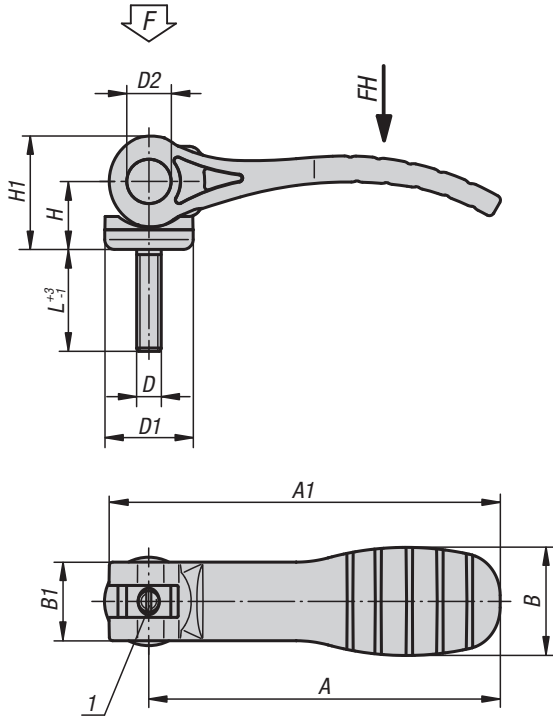
Item No. electropolished	Item No. blasted	D	D1	D2	B	B1	H	H1	A	A1	L	Stroke S	Clamping force F (kN)	Hand force FH N
K0647.9541003X	K0647.9541303X	M3	12	6	14,4	11,5	9	13,5	36,2	41,7	10/15/30	1	1,5	90
K0647.9541004X	K0647.9541304X	M4	12	6	14,4	11,5	9	13,5	36,2	41,7	10/15/30	1	1,5	90
K0647.0541004X	K0647.0541304X	M4	15,4	8	18	13	11,4	17,2	52,3	59,1	15/20/30	1	2,5	100
K0647.0541005X	K0647.0541305X	M5	15,4	8	18	13	11,4	17,2	52,3	59,1	20/30/40/50	1	2,5	100
K0647.1541005X	K0647.1541305X	M5	18	9	21,5	15	14,7	22	70,4	79,2	20/30/40/50	1,2	4	120
K0647.1541006X	K0647.1541306X	M6	18	9	21,5	15	14,7	22	70,4	79,2	20/30/40/50	1,2	4	120
K0647.2541008X	K0647.2541308X	M8	27	11	33,3	24	18,3	28,8	96	108	25/30/40/50	1,5	8	350
K0647.2541010X	K0647.2541310X	M10	27	11	33,3	24	18,3	28,8	96	108	25/30/40/50	1,5	8	350

## Adjustable Cam Levers with plastic handle

with external thread, steel or stainless steel

INCH Parts  
METRIC Parts

Expanded Line



### Material:

Handle and thrust washer fiberglass reinforced plastic PA 66.  
Hinge pin stainless steel 1.4305 (AISI 303 equivalent).  
Screw and washer steel quality class 5.8 or stainless steel 1.4305 (AISI 303 equivalent).

### Type:

Handle black or traffic red RAL3020.  
Thrust washer black.  
Hinge pin bright.  
Stud and washer trivalent blue passivated or bright stainless steel.

### Part Number Example:

K0648.15211A1X20 (include length L)

### Note:

For the inch series, dimension D is in inches, all other dimensions are in mm. Adjustable cam levers are used when obstacles near the cam lever allow for clamping in only one specific position. The screwdriver slot located at the top of the stud enables adjustment of the tension, without rotating the handle, for optimum center-over cam clamping.

Plastics are subject to creeping under load (retardation), this can cause reduced clamping force.

### Drawing reference:

1) pin for the fine adjustment of the tensioning lever

### KIPP Adjustable Cam Levers with plastic handle with external thread, inch

Item No. steel	Item No. stainless steel	Main color	D	D1	D2	B	B1	H	H1	A	A1	L	Stroke S	Clamping force F (kN)	Hand force FH N
K0648.15211A1X	K0648.15311A1X	black	10-32	18,1	9	22	16	14	23,4	71,5	79,6	20/30/40/50	1,15	2,5	125
K0648.15211A2X	K0648.15311A2X	black	1/4-20	18,1	9	22	16	14	23,4	71,5	79,6	20/30/40/50	1,15	2,5	125
K0648.25211A3X	K0648.25311A3X	black	5/16-18	27,1	11	33	24,2	16,2	27,7	100	110	25/30/40/50	1,5	5	170
K0648.25211A4X	K0648.25311A4X	black	3/8-16	27,1	11	33	24,2	16,2	27,7	100	110	25/30/40/50	1,5	5	170
K0648.152184A1X	K0648.153184A1X	red	10-32	18,1	9	22	16	14	23,4	71,5	79,6	20/30/40/50	1,15	2,5	125
K0648.152184A2X	K0648.153184A2X	red	1/4-20	18,1	9	22	16	14	23,4	71,5	79,6	20/30/40/50	1,15	2,5	125
K0648.252184A3X	K0648.253184A3X	red	5/16-18	27,1	11	33	24	16,2	27,7	100	110	25/30/40/50	1,5	5	170
K0648.252184A4X	K0648.253184A4X	red	3/8-16	27,1	11	33	24	16,2	27,7	100	110	25/30/40/50	1,5	5	170

### KIPP Adjustable Cam Levers with plastic handle with external thread, metric

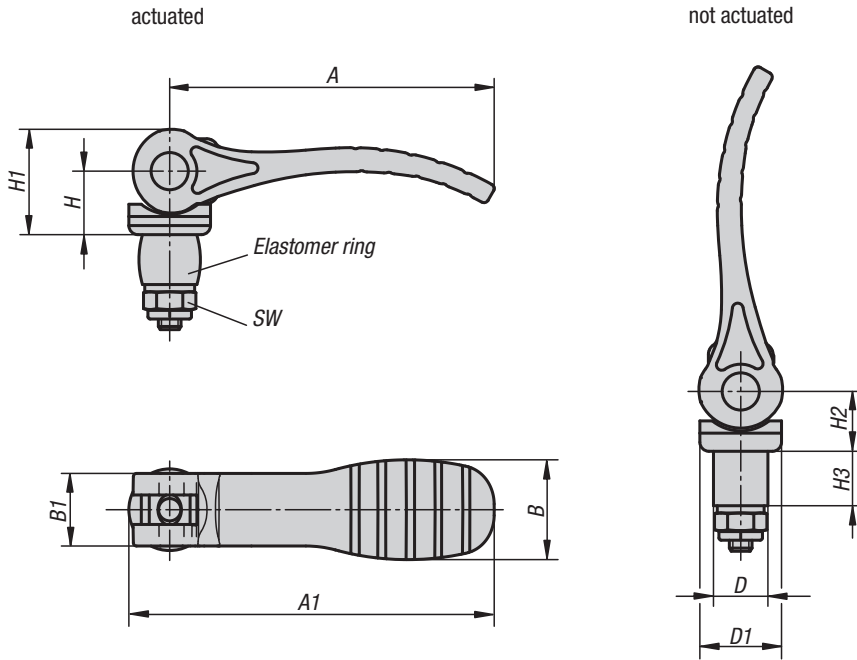
Item No. steel	Item No. stainless steel	Main color	D	D1	D2	B	B1	H	H1	A	A1	L	Stroke S	Clamping force F (kN)	Hand force FH N
K0648.1521105X	K0648.1531105X	black	M5	18,1	9	22	16	14	23,4	71,5	79,6	20/30/40/50	1,15	2,5	125
K0648.1521106X	K0648.1531106X	black	M6	18,1	9	22	16	14	23,4	71,5	79,6	20/30/40/50	1,15	2,5	125
K0648.2521108X	K0648.2531108X	black	M8	27,1	11	33	24	16,2	27,7	100	110	25/30/40/50	1,5	5	170
K0648.2521110X	K0648.2531110X	black	M10	27,1	11	33	24	16,2	27,7	100	110	25/30/40/50	1,5	5	170
K0648.15218405X	K0648.15318405X	red	M5	18,1	9	22	16	14	23,4	71,5	79,6	20/30/40/50	1,15	2,5	125
K0648.15218406X	K0648.15318406X	red	M6	18,1	9	22	16	14	23,4	71,5	79,6	20/30/40/50	1,15	2,5	125
K0648.25218408X	K0648.25318408X	red	M8	27,1	11	33	24	16,2	27,7	100	110	25/30/40/50	1,5	5	170
K0648.25218410X	K0648.25318410X	red	M10	27,1	11	33	24	16,2	27,7	100	110	25/30/40/50	1,5	5	170



## Cam Levers expansion



METRIC  
Parts



**Material:**

Handle and thrust washer fiberglass reinforced plastic PA 66.  
Hinge pin stainless steel 1.4305 (AISI 303 equivalent).  
Screw and washer steel quality class 5.8.  
Expanding ring PUR elastomer.

**Type:**

Handles and thrust washer black.  
Hinge pins bright.  
Screw, washer, locknut and thrust washer trivalent blue passivated.

**Part Number Example:**

K0118.121112X12

**Note:**

Actuating the handle causes the elastomer ring to expand and form to the surrounding surface.  
The amount of expansion of the elastomer ring and hence the clamping force can be adjusted by tightening or loosening the locknut.  
The thread lock in the nut also ensures that the preset clamping force remains unchanged when the clamp is released.

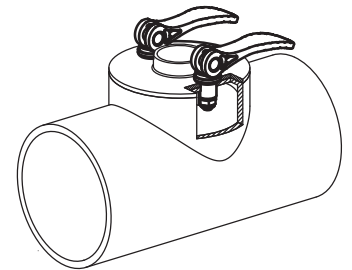
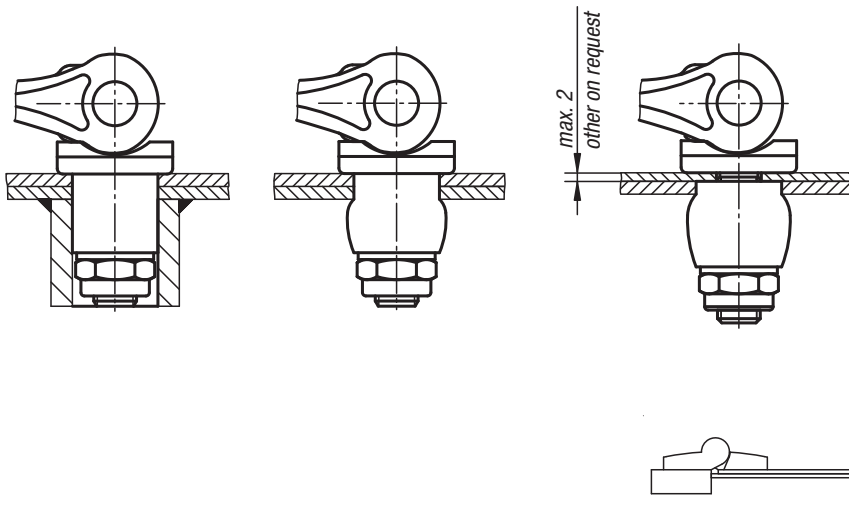
**Application:**

The specified holding forces are not suitable for constant loads.

Full bore clamping

Sheet metal clamping 1

Sheet metal clamping 2



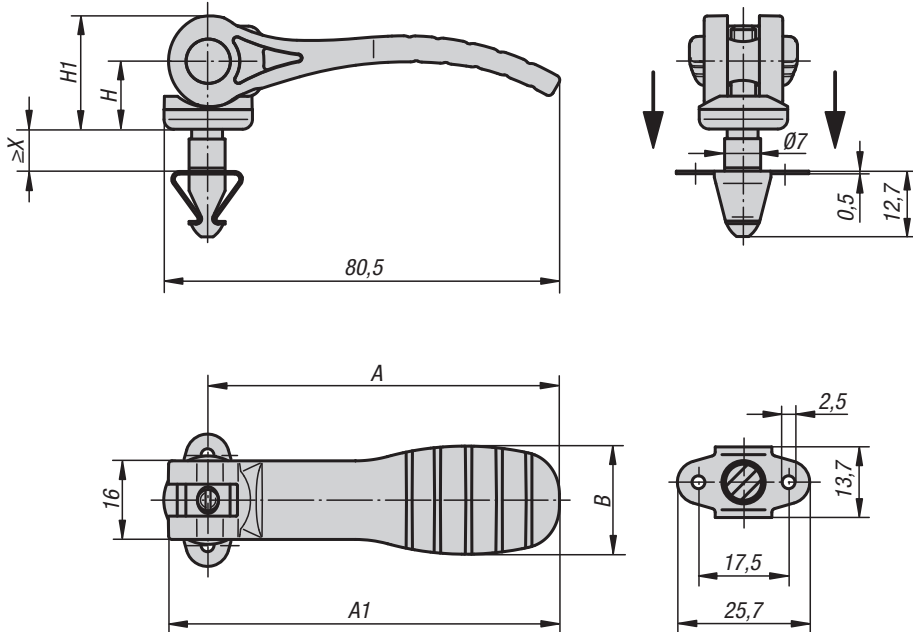
### KIPP Cam Levers expansion, metric

Item No.	Size	D	D1	B	B1	H	H1	H2	H3	A	A1	SW	Clamping force ca. N clamp bore (no permanent load)	Clamping force ca. N plate clamping (no permanent load)
K0118.121112X12	1	12	18,1	22	16	14	23,2	12,85	12	71,5	79,6	10	100	50
K0118.121114X12	1	14	18,1	22	16	14	23,2	12,85	12	71,5	79,6	10	150	60
K0118.221116X20	2	16	27,1	33	24	16,2	27,8	14,7	20	99,9	110	13	350	60
K0118.221118X20	2	18	27,1	33	24	16,2	27,8	14,7	20	99,9	110	13	350	100
K0118.221120X20	2	20	27,1	33	24	16,2	27,8	14,7	20	99,9	110	16	350	100

## Cam Levers

with quick lock

METRIC  
Parts



**Material:**

Handle and thrust washer fiberglass reinforced plastic PA66.  
Hinge pin stainless steel 1.4305 (AISI 303 equivalent).  
Locking pin steel 1.0718.  
Spring clip stainless steel 1.4310 (AISI 310 equivalent).

**Type:**

Handle and thrust washer black.  
Hinge pin bright.  
Locking pin trivalent blue passivated.  
Spring clip passivated.

**Part Number Example:**

K0751.121107X2

**Note:**

A sheet metal element can be positioned by engaging the spring clip. The sheet metal element is then clamped using the handle.  
Plastic materials are subject to creeping under compression (retardation).

**On request:**

Additional spring clips.

**KIPP Cam Levers with quick lock, metric**

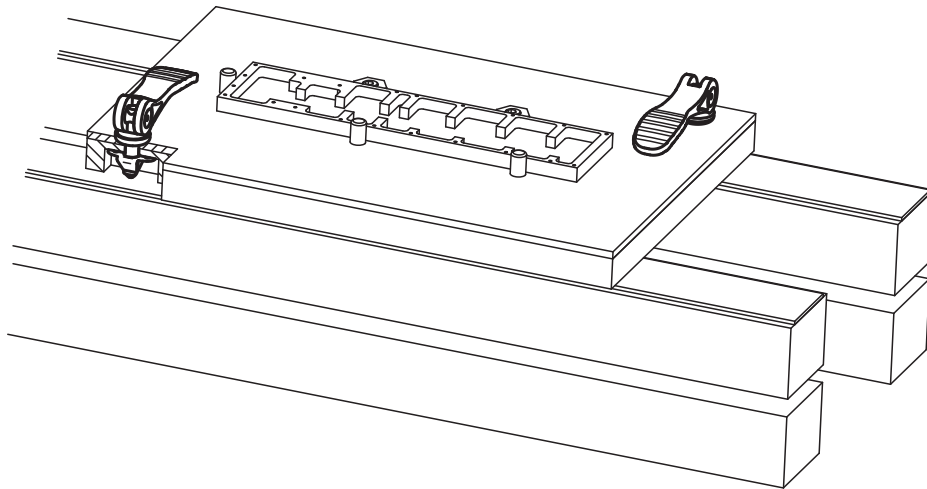
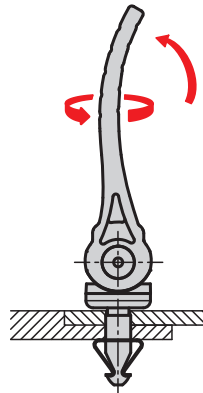
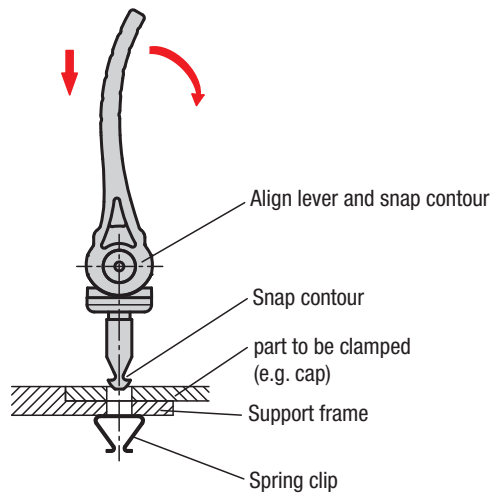
Item No.	A	A1	B	H	H1	X Material thickness	Clamping force ca. N
K0751.121107X2	71,5	79,6	22	14	23,4	1,9 - 2,3	500
K0751.121107X4	71,5	79,6	22	14	23,4	3,9 - 4,3	500
K0751.121107X6	71,5	79,6	22	14	23,4	5,9 - 6,3	500
K0751.121107X8	71,5	79,6	22	14	23,4	7,9 - 8,3	500

# Installation instructions for Cam Levers with quick lock



Push to insert and swivel to clamp

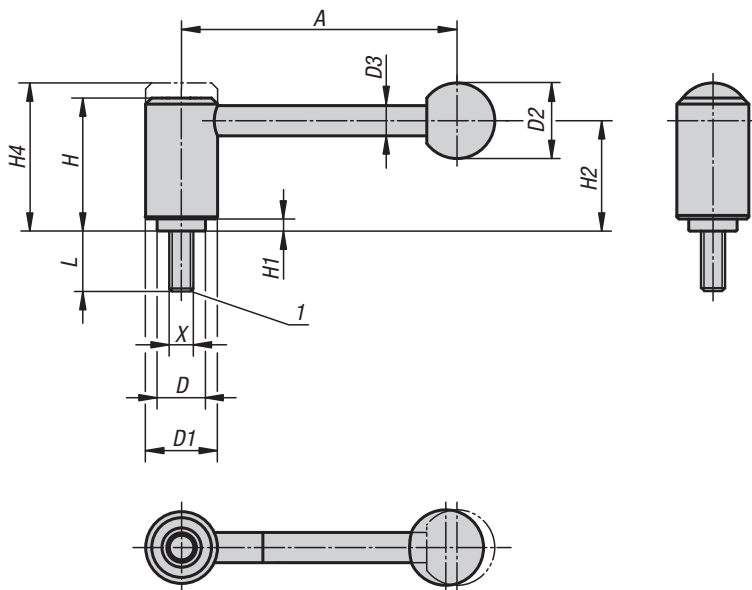
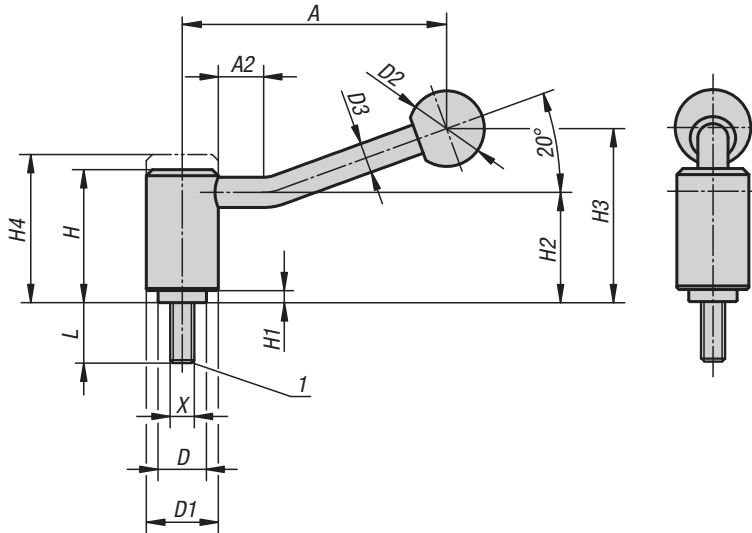
Swivel and twist to loosen



## Adjustable Tension Levers

external thread

INCH Parts  
METRIC Parts



**Material:**

Steel parts quality class 5.8.  
Ball knob black plastic.

**Type:**

Powder-coated with fine texture, black

**Part Number Example:**

K0108.1A32X20  
(include length L)

**Note:**

For the inch series, dimension X is in inches, all other dimensions are in mm.  
For dimensions not shown, see Tension Levers with internal thread.

**On request:**

Other threads, screw lengths and special versions.  
Dimensions "H1" and "A" available in other lengths at an additional charge.

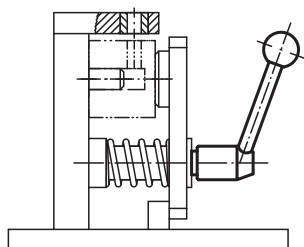
**Drawing reference:**

1) flat point DIN 78



## Adjustable Tension Levers

external thread



## KIPP Adjustable Tension Levers, with external thread, inch

Item No. 0°	Item No. 20°	Size	X	H1	L
K0108.1A32X	K0108.1A31X	1	5/16-18	4,5	20/25/30/40/50/60
K0108.1A42X	K0108.1A41X	1	3/8-16	4,5	20/25/30/40/50/60
K0108.1A52X	K0108.1A51X	1	1/2-13	4,5	20/25/30/40/50/60
K0108.2A52X	K0108.2A51X	2	1/2-13	5,5	20/25/30/40/50/60
K0108.3A52X	K0108.3A51X	3	1/2-13	6	20/25/30/40/50/60
K0108.3A62X	K0108.3A61X	3	5/8-11	6	20/25/30/40/50/60
K0108.4A62X	K0108.4A61X	4	5/8-11	7,5	30/40/50/60
K0108.4A72X	K0108.4A71X	4	3/4-10	7,5	30/40/50/60

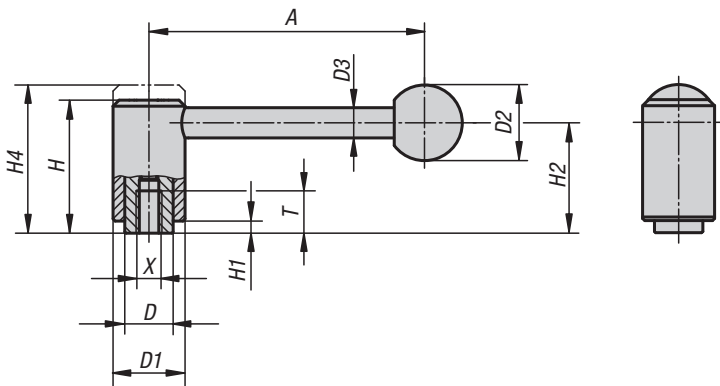
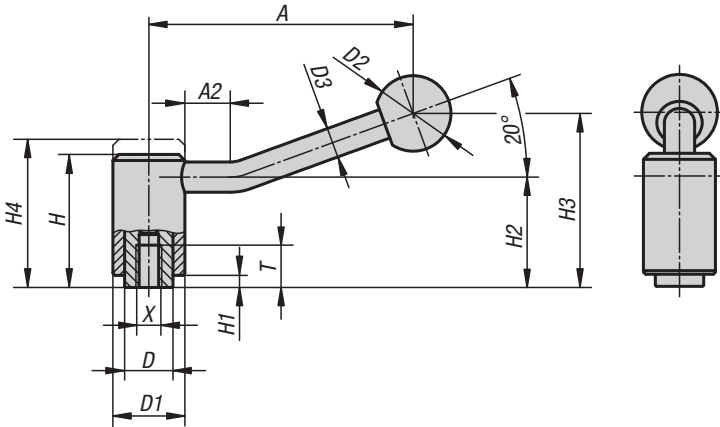
## KIPP Adjustable Tension Levers, with external thread, metric

Item No. 0°	Item No. 20°	Size	X	H1	L
K0108.1082X	K0108.1081X	1	M8	4,5	15/20/25/30/40/50/60
K0108.1102X	K0108.1101X	1	M10	4,5	15/20/25/30/40/50/60
K0108.1122X	K0108.1121X	1	M12	4,5	15/20/25/30/40/50/60
K0108.2122X	K0108.2121X	2	M12	5,5	20/25/30/40/50/60
K0108.3122X	K0108.3121X	3	M12	6	20/25/30/40/50/60/70/80/90
K0108.3162X	K0108.3161X	3	M16	6	20/25/30/40/50/60/70/80/90
K0108.4162X	K0108.4161X	4	M16	7,5	30/40/50/60/70/80/90
K0108.4202X	K0108.4201X	4	M20	7,5	30/40/50/60/70/80/90
K0108.4242X	K0108.4241X	4	M24	7,5	30/40/50/60/70/80/90

## Adjustable Tension Levers

internal thread

INCH Parts  
METRIC Parts



**Material:**

Steel parts quality class 5.8.  
Ball knob black plastic.

**Type:**

Powder-coated with fine texture, black.

**Part Number Example:**

K0108.1A32

**Note:**

For the inch series, dimension X is in inches, all other dimensions are in mm.

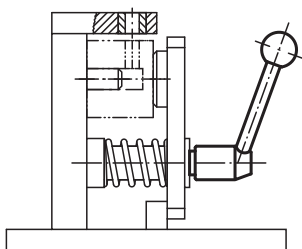
**On request:**

Other threads and special versions.  
Dimensions "H1" and "A" available in other lengths at an additional charge.



## Adjustable Tension Levers

internal thread



### KIPP Adjustable Tension Levers, with internal thread, inch

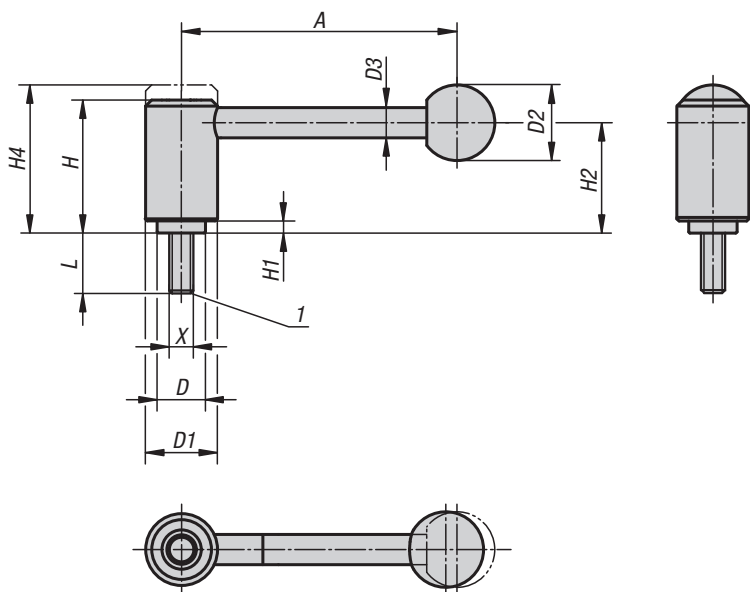
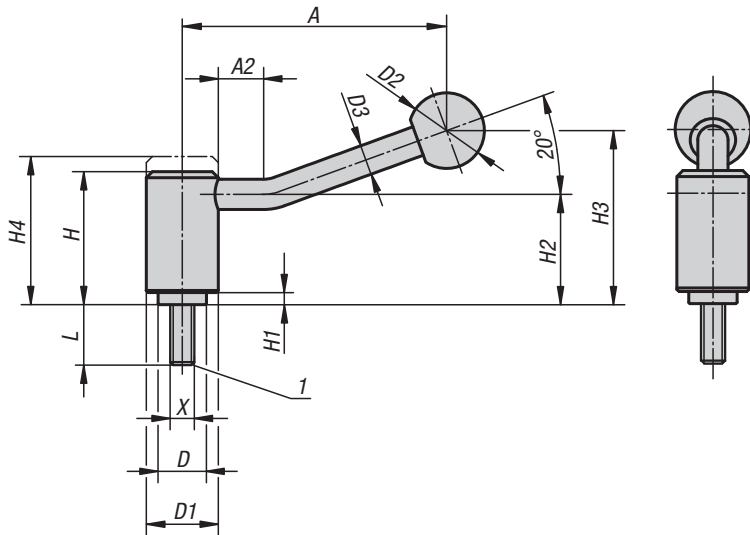
Item No. 0°	Item No. 20°	X	A	A2	D	D1	D2	D3	H	H1	H2	H3	H4	T	No. of teeth
K0108.1A32	K0108.1A31	5/16-18	92/88	-/15	16	24	25	10	44,5	4,5	37	-/58,5	49,5	14	22
K0108.1A42	K0108.1A41	3/8-16	92/88	-/15	16	24	25	10	44,5	4,5	37	-/58,5	49,5	14	22
K0108.2A42	K0108.2A41	3/8-16	111/106	-/15	19	28	32	12	51,5	5,5	42	-/68,5	57,5	17	24
K0108.2A52	K0108.2A51	1/2-13	111/106	-/15	19	28	32	12	51,5	5,5	42	-/68,5	57,5	17	24
K0108.3A52	K0108.3A51	1/2-13	134,5/128,5	-/15	23	33	32	13	58	6	47	-/81	65	23	26
K0108.3A62	K0108.3A61	5/8-11	134,5/128,5	-/15	23	33	32	13	58	6	47	-/81	65	23	26
K0108.4A62	K0108.4A61	5/8-11	134/128,5	-/15	30	41	32	13	68,5	7,5	56,5	-/89,5	76,5	27	36
K0108.4A72	K0108.4A71	3/4-10	134/128,5	-/15	30	41	32	13	68,5	7,5	56,5	-/89,5	76,5	27	36

### KIPP Adjustable Tension Levers, with internal thread, metric

Item No. 0°	Item No. 20°	X	A	A2	D	D1	D2	D3	H	H1	H2	H3	H4	T	No. of teeth
K0108.1082	K0108.1081	M8	92/88	-/15	16	24	25	10	44,5	4,5	37	-/58,5	49,5	14	22
K0108.1102	K0108.1101	M10	92/88	-/15	16	24	25	10	44,5	4,5	37	-/58,5	49,5	14	22
K0108.2102	K0108.2101	M10	111/106	-/15	19	28	32	12	51,5	5,5	42	-/68,5	57,5	17	24
K0108.2122	K0108.2121	M12	111/106	-/15	19	28	32	12	51,5	5,5	42	-/68,5	57,5	17	24
K0108.3122	K0108.3121	M12	134,5/128,5	-/15	23	33	32	13	58	6	47	-/81	65	23	26
K0108.3162	K0108.3161	M16	134,5/128,5	-/15	23	33	32	13	58	6	47	-/81	65	23	26
K0108.4162	K0108.4161	M16	134/128,5	-/15	30	41	32	13	68,5	7,5	56,5	-/89,5	76,5	27	36
K0108.4202	K0108.4201	M20	134/128,5	-/15	30	41	32	13	68,5	7,5	56,5	-/89,5	76,5	27	36
K0108.4242	K0108.4241	M24	134/128,5	-/15	30	41	32	13	68,5	7,5	56,5	-/89,5	76,5	27	36

## Adjustable Tension Levers in stainless steel

external thread



**Material:**

Steel parts stainless steel 1.4305 (AISI 303 equivalent).  
Ball knob black plastic.

**Type:**

Stainless steel parts bright.  
Ball knob polished.

**Part Number Example:**

K0109.1A32X15  
(include length L)

**Note:**

For the inch series, dimension X is in inches, all other dimensions are in mm.  
For dimensions not shown, see Tension Levers with internal thread.

**On request:**

Other threads, screw lengths and special versions.  
Dimensions "H1" and "A" available in other lengths at an additional charge.

**Drawing reference:**

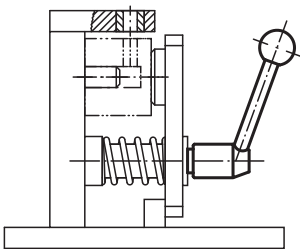
1) flat point DIN 78





## Adjustable Tension Levers in stainless steel

external thread



## KIPP Adjustable Tension Levers, in stainless steel, with external thread, inch

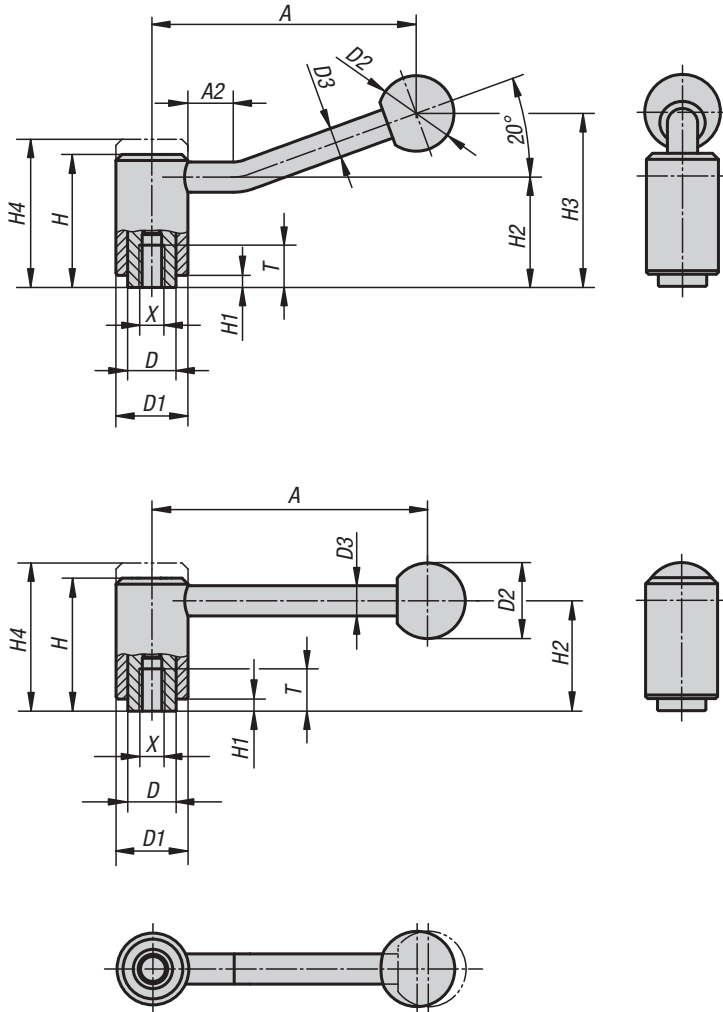
Item No. 0°	Item No. 20°	Size	X	H1	L
K0109.1A32X	K0109.1A31X	1	5/16-18	4,5	15/20/25/30/40/50/60
K0109.1A42X	K0109.1A41X	1	3/8-16	4,5	15/20/25/30/40/50/60
K0109.1A52X	K0109.1A51X	1	1/2-13	4,5	15/20/25/30/40/50/60
K0109.2A52X	K0109.2A51X	2	1/2-13	5,5	20/25/30/40/50/60
K0109.3A52X	K0109.3A51X	3	1/2-13	6	20/25/30/40/50/60/70/80/90
K0109.3A62X	K0109.3A61X	3	5/8-11	6	20/25/30/40/50/60/70/80/90
K0109.4A62X	K0109.4A61X	4	5/8-11	7,5	30/40/50/60/70/80/90
K0109.4A72X	K0109.4A71X	4	3/4-10	7,5	30/40/50/60/70/80/90

## KIPP Adjustable Tension Levers, in stainless steel, with external thread, metric

Item No. 0°	Item No. 20°	Size	X	H1	L
K0109.1082X	K0109.1081X	1	M8	4,5	15/20/25/30/40/50/60
K0109.1102X	K0109.1101X	1	M10	4,5	15/20/25/30/40/50/60
K0109.1122X	K0109.1121X	1	M12	4,5	15/20/25/30/40/50/60
K0109.2122X	K0109.2121X	2	M12	5,5	20/25/30/40/50/60
K0109.3122X	K0109.3121X	3	M12	6	20/25/30/40/50/60/70/80/90
K0109.3162X	K0109.3161X	3	M16	6	20/25/30/40/50/60/70/80/90
K0109.4162X	K0109.4161X	4	M16	7,5	30/40/50/60/70/80/90
K0109.4202X	K0109.4201X	4	M20	7,5	30/40/50/60/70/80/90

## Adjustable Tension Levers in stainless steel

internal thread



**Material:**

Steel parts stainless steel 1.4305  
(AISI 303 equivalent).  
Ball knob black plastic.

**Type:**

Stainless steel parts bright.  
Ball knob polished.

**Part Number Example:**

K0109.1A32

**Note:**

For the inch series, dimension X is in inches, all other dimensions are in mm.

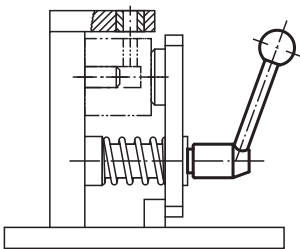
**On request:**

Other internal threads and special versions.  
Dimension "H1" and "A" available in other lengths at an additional charge.



## Adjustable Tension Levers in stainless steel

internal thread



## KIPP Adjustable Tension Levers, in stainless steel, with internal thread, inch

Item No. 0°	Item No. 20°	X	A	A2	D	D1	D2	D3	H	H1	H2	H3	H4	T	No. of teeth
K0109.1A32	K0109.1A31	5/16-18	92/88	-/15	16	24	25	10	44,5	4,5	37	-/58,5	49,5	14	22
K0109.1A42	K0109.1A41	3/8-16	92/88	-/15	16	24	25	10	44,5	4,5	37	-/58,5	49,5	14	22
K0109.2A42	K0109.2A41	3/8-16	111/106	-/15	19	28	32	12	51,5	5,5	42	-/68,5	57,5	17	24
K0109.2A52	K0109.2A51	1/2-13	111/106	-/15	19	28	32	12	51,5	5,5	42	-/68,5	57,5	17	24
K0109.3A52	K0109.3A51	1/2-13	134,5/128,5	-/15	23	33	32	13	58	6	47	-/81	65	23	26
K0109.3A62	K0109.3A61	5/8-11	134,5/128,5	-/15	23	33	32	13	58	6	47	-/81	65	23	26
K0109.4A62	K0109.4A61	5/8-11	134/128,5	-/15	30	41	32	13	68,5	7,5	56,5	-/89,5	76,5	27	36
K0109.4A72	K0109.4A71	3/4-10	134/128,5	-/15	30	41	32	13	68,5	7,5	56,5	-/89,5	76,5	27	36

## KIPP Adjustable Tension Levers, in stainless steel, with internal thread, metric

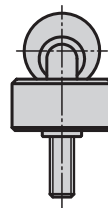
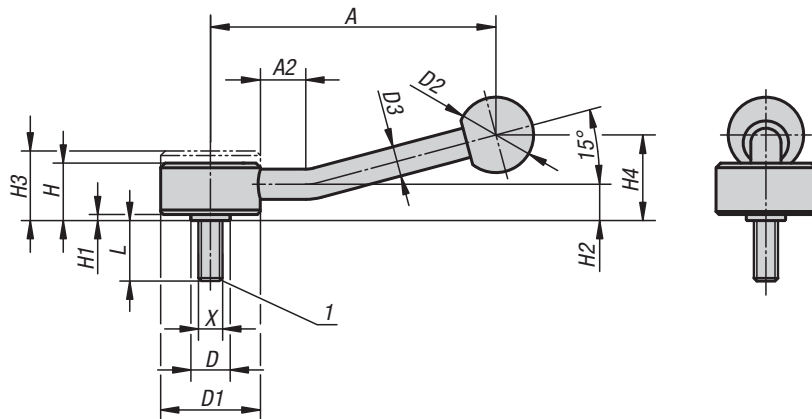
Item No. 0°	Item No. 20°	X	A	A2	D	D1	D2	D3	H	H1	H2	H3	H4	T	No. of teeth
K0109.1082	K0109.1081	M8	92/88	-/15	16	24	25	10	44,5	4,5	37	-/58,5	49,5	14	22
K0109.1102	K0109.1101	M10	92/88	-/15	16	24	25	10	44,5	4,5	37	-/58,5	49,5	14	22
K0109.2102	K0109.2101	M10	111/106	-/15	19	28	32	12	51,5	5,5	42	-/68,5	57,5	17	24
K0109.2122	K0109.2121	M12	111/106	-/15	19	28	32	12	51,5	5,5	42	-/68,5	57,5	17	24
K0109.3122	K0109.3121	M12	134,5/128,5	-/15	23	33	32	13	58	6	47	-/81	65	23	26
K0109.3162	K0109.3161	M16	134,5/128,5	-/15	23	33	32	13	58	6	47	-/81	65	23	26
K0109.4162	K0109.4161	M16	134/128,5	-/15	30	41	32	13	68,5	7,5	56,5	-/89,5	76,5	27	36
K0109.4202	K0109.4201	M20	134/128,5	-/15	30	41	32	13	68,5	7,5	56,5	-/89,5	76,5	27	36

## Adjustable Tension Levers

low profile, external thread



INCH Parts  
METRIC Parts



**Material:**  
Steel parts quality class 5.8.  
Ball knob black plastic.

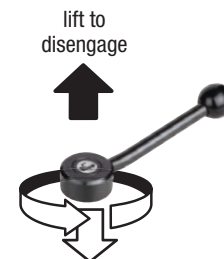
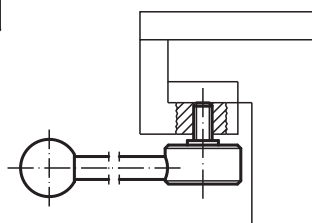
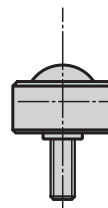
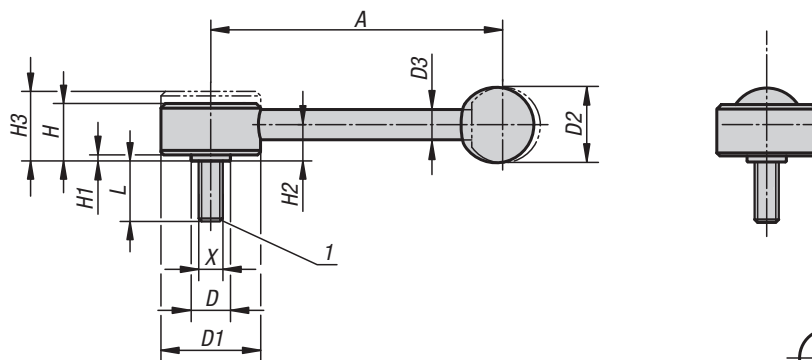
**Type:**  
Black oxide finish.

**Part Number Example:**  
K0114.1A31X20  
(include length L)

**Note:**  
For the inch series, dimension X is in inches, all other dimensions are in mm.

**On request:**  
Other threads, screw lengths and special versions.  
Dimensions "H1" and "A" available in other lengths at an additional charge.

**Drawing reference:**  
1) flat point DIN 78



### KIPP Adjustable Tension Levers, low profile, external thread, inch

Item No. 0°	Item No. 15°	X	A	A2	D	D1	D2	D3	H	H1	H2	H3	H4	No. of teeth	L
K0114.1A31X	K0114.1A32X	5/16-18	102/100	-/15	13,5	33	25	10	19	2	12	23	-/29	20	20/25/30/40/50/60
K0114.1A41X	K0114.1A42X	3/8-16	102/100	-/15	13,5	33	25	10	19	2	12	23	-/29	20	20/25/30/40/50/60
K0114.2A41X	K0114.2A42X	3/8-16	131/127	-/15	19	41	30	12	22	2	13,5	26	-/38	24	20/25/30/40/50/60
K0114.2A51X	K0114.2A52X	1/2-13	131/127	-/15	19	41	30	12	22	2	13,5	26	-/38	24	20/25/30/40/50/60
K0114.3A51X	K0114.3A52X	1/2-13	148/145	-/15	23	45	37	14	28	2	17	33	-/48	26	20/25/30/40/50/60
K0114.3A61X	K0114.3A62X	5/8-11	148/145	-/15	23	45	37	14	28	2	17	33	-/48	26	20/25/30/40/50/60

### KIPP Adjustable Tension Levers, low profile, external thread, metric

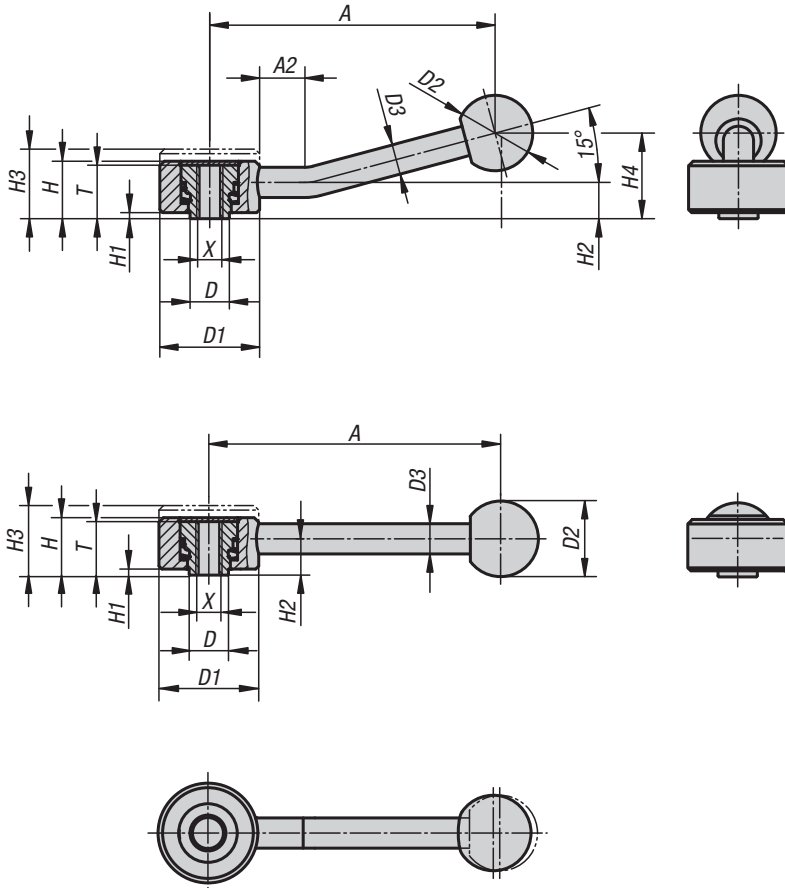
Item No. 0°	Item No. 15°	X	A	A2	D	D1	D2	D3	H	H1	H2	H3	H4	No. of teeth	L
K0114.1081X	K0114.1082X	M8	102/100	-/15	13,5	33	25	10	19	2	12	23	-/29	20	15/20/25/30/40/50/60
K0114.1101X	K0114.1102X	M10	102/100	-/15	13,5	33	25	10	19	2	12	23	-/29	20	15/20/25/30/40/50/60
K0114.2101X	K0114.2102X	M10	131/127	-/15	19	41	30	12	22	2	13,5	26	-/38	24	20/25/30/40/50/60
K0114.2121X	K0114.2122X	M12	131/127	-/15	19	41	30	12	22	2	13,5	26	-/38	24	20/25/30/40/50/60
K0114.3121X	K0114.3122X	M12	148/145	-/15	23	45	37	14	28	2	17	33	-/48	26	20/25/30/40/50/60
K0114.3161X	K0114.3162X	M16	148/145	-/15	23	45	37	14	28	2	17	33	-/48	26	20/25/30/40/50/60

## Adjustable Tension Levers

low profile, internal thread



INCH Parts    METRIC Parts



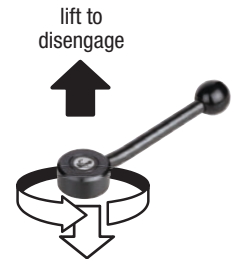
**Material:**  
Steel parts quality class 5.8.  
Ball knob black plastic.

**Type:**  
Black oxide finish.

**Part Number Example:**  
K0114.1A21

**Note:**  
For the inch series, dimension X is in inches, all other dimensions are in mm.

**On request:**  
Other threads and special versions.  
Dimensions "H1" and "A" available in other lengths at an additional charge.



### KIPP Adjustable Tension Levers, low profile, internal thread, inch

Item No. 0°	Item No. 15°	X	A	A2	D	D1	D2	D3	H	H1	H2	H3	H4	T	No. of teeth
K0114.1A21	K0114.1A22	1/4-20	102/100	-/15	13,5	33	25	10	19	2	12	23	-/29	18	26
K0114.1A31	K0114.1A32	5/16-18	102/100	-/15	13,5	33	25	10	19	2	12	23	-/29	18	26
K0114.2A41	K0114.2A42	3/8-16	131/127	-/15	19	41	30	12	22	2	13,5	26	-/38	21	30
K0114.2A51	K0114.2A52	1/2-13	131/127	-/15	19	41	30	12	22	2	13,5	26	-/38	21	30
K0114.3A51	K0114.3A52	1/2-13	148/145	-/15	23	45	37	14	28	2	17	33	-/48	27	36
K0114.3A61	K0114.3A62	5/8-11	148/145	-/15	23	45	37	14	28	2	17	33	-/48	27	36

### KIPP Adjustable Tension Levers, low profile, internal thread, metric

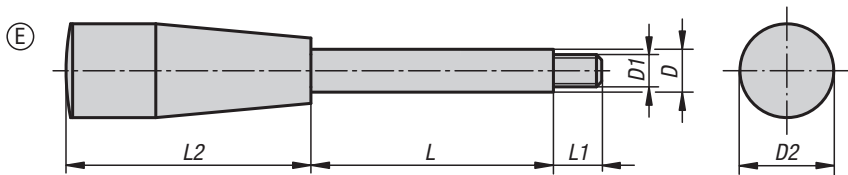
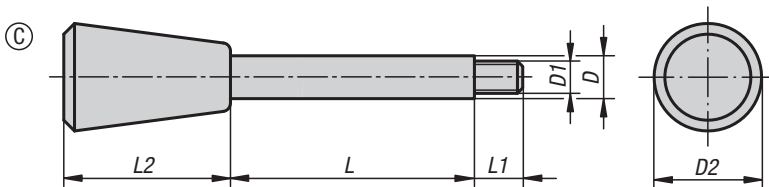
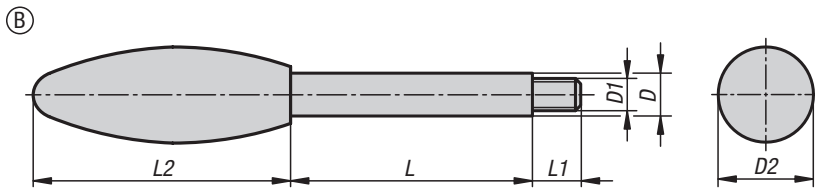
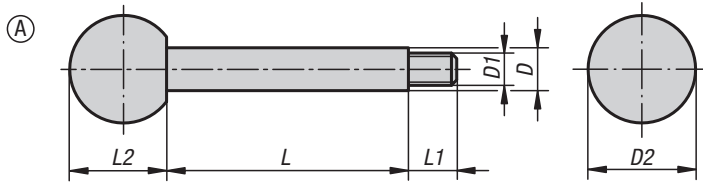
Item No. 0°	Item No. 15°	X	A	A2	D	D1	D2	D3	H	H1	H2	H3	H4	T	No. of teeth
K0114.1061	K0114.1062	M6	102/100	-/15	13,5	33	25	10	19	2	12	23	-/29	18	26
K0114.1081	K0114.1082	M8	102/100	-/15	13,5	33	25	10	19	2	12	23	-/29	18	26
K0114.2101	K0114.2102	M10	131/127	-/15	19	41	30	12	22	2	13,5	26	-/38	21	30
K0114.2121	K0114.2122	M12	131/127	-/15	19	41	30	12	22	2	13,5	26	-/38	21	30
K0114.3121	K0114.3122	M12	148/145	-/15	23	45	37	14	28	2	17	33	-/48	27	36
K0114.3161	K0114.3162	M16	148/145	-/15	23	45	37	14	28	2	17	33	-/48	27	36

## Gear Levers



INCH Parts    METRIC Parts

Expanded Line



**Material:**

Knobs thermoset PF 31.  
Rod steel 1.0718 or stainless steel 1.4305 (AISI 303 equivalent).

**Type:**

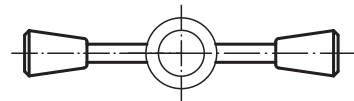
Thermoset black, high-gloss polished.  
Steel black oxide finish or bright stainless steel.

**Part Number Example:**

K0179.2A2X35  
(include length L)

**Note:**

For the inch series, dimension D1 is in inches, all other dimensions are in mm.



## Gear Levers



## KIPP Gear Levers, inch

Item No. steel	Item No. stainless steel	Style	D	D1	D2	L	L1	L2
K0179.2A2X	K0179.12A2X	A	8	1/4-20	20	35/50/65	9	18
K0179.2A3X	K0179.12A3X	A	10	5/16-18	25	50/65/80/100	13	22,5
K0179.2A4X	K0179.12A4X	A	12	3/8-16	32	65/80/100/125	15	29
K0179.2A5X	K0179.12A5X	A	14	1/2-13	36	80/100/125/160	16	33
K0179.7A2X	K0179.17A2X	B	8	1/4-20	23	35/50/65	9	60
K0179.7A3X	K0179.17A3X	B	10	5/16-18	26	50/65/80/100	13	70
K0179.7A4X	K0179.17A4X	B	12	3/8-16	35	65/80/100/125	15	85
K0179.7A5X	K0179.17A5X	B	14	1/2-13	35	80/100/125/160	16	85
K0179.4A2X	K0179.14A2X	C	8	1/4-20	20	35/50/65	9	31
K0179.4A3X	K0179.14A3X	C	10	5/16-18	25	50/65/80/100	13	38
K0179.4A4X	K0179.14A4X	C	12	3/8-16	30	65/80/100/125	15	46
K0179.4A5X	K0179.14A5X	C	14	1/2-13	35	80/100/125/160	16	53
K0179.6A2X	K0179.16A2X	E	8	1/4-20	17	35/50/65	9	45
K0179.6A3X	K0179.16A3X	E	10	5/16-18	23	50/65/80/100	13	61
K0179.6A4X	K0179.16A4X	E	12	3/8-16	29	65/80/100/125	15	71
K0179.6A5X	K0179.16A5X	E	14	1/2-13	29	80/100/125/160	16	71

## KIPP Gear Levers, metric

Item No. steel	Item No. stainless steel	Style	D	D1	D2	L	L1	L2
K0179.208X	K0179.1208X	A	8	M6	20	35/50/65	9	18
K0179.210X	K0179.1210X	A	10	M8	25	50/65/80/100	13	23
K0179.212X	K0179.1212X	A	12	M10	32	65/80/100/125	15	29
K0179.214X	K0179.1214X	A	14	M12	36	80/100/125/160	16	33
K0179.708X	K0179.1708X	B	8	M6	23	35/50/65	9	60
K0179.710X	K0179.1710X	B	10	M8	26	50/65/80/100	13	70
K0179.712X	K0179.1712X	B	12	M10	35	65/80/100/125	15	85
K0179.714X	K0179.1714X	B	14	M12	35	80/100/125/160	16	85
K0179.408X	K0179.1408X	C	8	M6	20	35/50/65	9	31
K0179.410X	K0179.1410X	C	10	M8	25	50/65/80/100	13	38
K0179.412X	K0179.1412X	C	12	M10	30	65/80/100/125	15	46
K0179.414X	K0179.1414X	C	14	M12	35	80/100/125/160	16	53
K0179.608X	K0179.1608X	E	8	M6	17	35/50/65	9	45
K0179.610X	K0179.1610X	E	10	M8	23	50/65/80/100	13	61
K0179.612X	K0179.1612X	E	12	M10	29	65/80/100/125	15	71
K0179.614X	K0179.1614X	E	14	M12	29	80/100/125/160	16	71

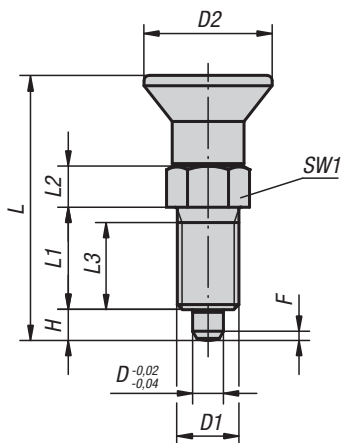
## Indexing Plungers

pull knob

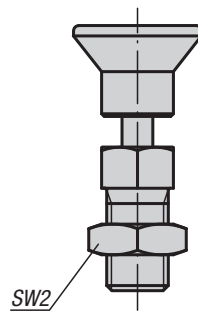
INCH  
Parts



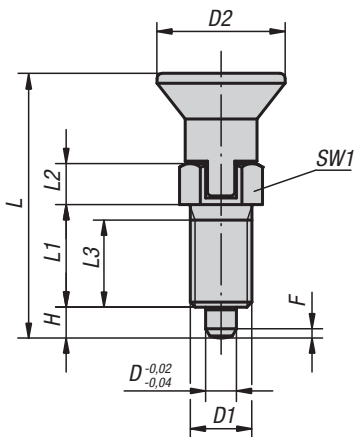
Style A  
non-lockout type  
without locknut



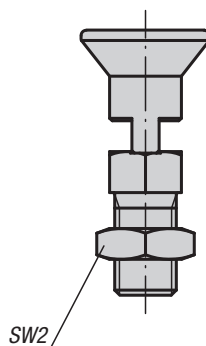
Style B  
non-lockout type  
with locknut



Style C  
lockout type  
without locknut



Style D  
lockout type  
with locknut



**Material:**

Steel version  
Indexing pin hardened:  
quality class 5.8.

Stainless steel version  
Indexing pin hardened:  
Threaded sleeve 1.4305 (AISI 303 equivalent).  
Indexing pin 1.4034 (AISI 420 equivalent).

Indexing pin not hardened:  
Threaded sleeve 1.4305 (AISI 303 equivalent).  
Indexing pin 1.4305 (AISI 303 equivalent).

Mushroom knob black-grey thermoplastic.

**Type:**

Steel version:  
Indexing pin hardened, ground and with black oxide finish.

Stainless steel version:  
Indexing pin hardened, ground and bright.  
Indexing pin not hardened, ground and bright.

**Part Number Example:**

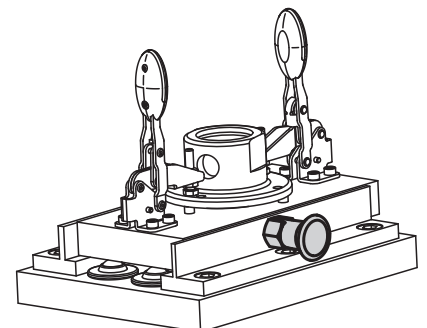
K0338.1903AJ

**Note:**

For the inch series, dimensions D1 and SW2 are in inches, all other dimensions are in mm.  
Indexing Plungers are used to prevent any change in locking position due to lateral forces. A new locking position can only be set after the pin has been manually disengaged. Style C or D is recommended for applications where the plunger remains disengaged over a long period and the pin should be prevented from springing back.

**On request:**

Special versions and spacer rings K0665.





## Indexing Plungers

pull knob



## KIPP Indexing Plungers, pull knob, steel, locking pin hardened, inch

Item No. Style A	Item No. Style B	Item No. Style C	Item No. Style D	D	D1	D2	L	L1	L2	L3	H	SW1	SW2	Fx30°	Spring force initial pressure F1 approx. N	Spring force final pressure F2 approx. N
K0338.1903AJ	K0338.2903AJ	K0338.3903AJ	K0338.4903AJ	3	1/4-28	14	31,5	12	5	10	3,5	8	-17/16 -17/16	0,8	4,5	10
K0338.1004AK	K0338.2004AK	K0338.3004AK	K0338.4004AK	4	5/16-24	18	38,5	15	6	13	4	10	-11/2 -11/2	1	6	12
K0338.1105AL	K0338.2105AL	K0338.3105AL	K0338.4105AL	5	3/8-24	21	43,5	17	7	15	5	13	-19/16 -19/16	1,3	5	12
K0338.1206A5	K0338.2206A5	K0338.3206A5	K0338.4206A5	6	1/2-13	25	51,7	20	8	16	6	14	-13/4 -13/4	1,8	6	14
K0338.1308A6	K0338.2308A6	K0338.3308A6	K0338.4308A6	8	5/8-11	33	68	26	10	21	8	19	-15/16 -15/16	2,3	15	35
K0338.1410A7	K0338.2410A7	K0338.3410A7	K0338.4410A7	10	3/4-10	33	74	28	12	23	10	22	-11-1/8 -11-1/8	2,8	15	40
K0338.1412A0	K0338.2412A0	K0338.3412A0	K0338.4412A0	12	3/4-16	33	78	28	14	25	12	22	-11-1/8 -11-1/8	2,8	15	39
K0338.1516A8	K0338.2516A8	K0338.3516A8	K0338.4516A8	16	1-8	40	96	32	18	28	16	27	-11-1/2 -11-1/2	3,2	20	46

## KIPP Indexing Plungers, pull knob, stainless steel, locking pin hardened, inch

Item No. Style A	Item No. Style B	Item No. Style C	Item No. Style D	D	D1	D2	L	L1	L2	L3	H	SW1	SW2	Fx30°	Spring force initial pressure F1 approx. N	Spring force final pressure F2 approx. N
K0338.01903AJ	K0338.02903AJ	K0338.03903AJ	K0338.04903AJ	3	1/4-28	14	31,5	12	5	10	3,5	8	-17/16 -17/16	0,8	4,5	10
K0338.01004AK	K0338.02004AK	K0338.03004AK	K0338.04004AK	4	5/16-24	18	38,5	15	6	13	4	10	-11/2 -11/2	1	6	12
K0338.01105AL	K0338.02105AL	K0338.03105AL	K0338.04105AL	5	3/8-24	21	43,5	17	7	15	5	13	-19/16 -19/16	1,3	5	12
K0338.01206A5	K0338.02206A5	K0338.03206A5	K0338.04206A5	6	1/2-13	25	51,7	20	8	16	6	14	-13/4 -13/4	1,8	6	14
K0338.01308A6	K0338.02308A6	K0338.03308A6	K0338.04308A6	8	5/8-11	33	68	26	10	21	8	19	-15/16 -15/16	2,3	15	35
K0338.01410A7	K0338.02410A7	K0338.03410A7	K0338.04410A7	10	3/4-10	33	74	28	12	23	10	22	-11-1/8 -11-1/8	2,8	15	40
K0338.01412A0	K0338.02412A0	K0338.03412A0	K0338.04412A0	12	3/4-16	33	78	28	14	25	12	22	-11-1/8 -11-1/8	2,8	15	39
K0338.01516A8	K0338.02516A8	K0338.03516A8	K0338.04516A8	16	1-8	40	96	32	18	28	16	27	-11-1/2 -11-1/2	3,2	20	46

## KIPP Indexing Plungers, pull knob, stainless steel, locking pin not hardened, inch

Item No. Style A	Item No. Style B	Item No. Style C	Item No. Style D	D	D1	D2	L	L1	L2	L3	H	SW1	SW2	Fx30°	Spring force initial pressure F1 approx. N	Spring force final pressure F2 approx. N
K0338.11903AJ	K0338.12903AJ	K0338.13903AJ	K0338.14903AJ	3	1/4-28	14	31,5	12	5	10	3,5	8	-17/16 -17/16	0,8	4,5	10
K0338.11004AK	K0338.12004AK	K0338.13004AK	K0338.14004AK	4	5/16-24	18	38,5	15	6	13	4	10	-11/2 -11/2	1	6	12
K0338.11105AL	K0338.12105AL	K0338.13105AL	K0338.14105AL	5	3/8-24	21	43,5	17	7	15	5	13	-19/16 -19/16	1,3	5	12
K0338.11206A5	K0338.12206A5	K0338.13206A5	K0338.14206A5	6	1/2-13	25	51,7	20	8	16	6	14	-13/4 -13/4	1,8	6	14
K0338.11308A6	K0338.12308A6	K0338.13308A6	K0338.14308A6	8	5/8-11	33	68	26	10	21	8	19	-15/16 -15/16	2,3	15	35
K0338.11410A7	K0338.12410A7	K0338.13410A7	K0338.14410A7	10	3/4-10	33	74	28	12	23	10	22	-11-1/8 -11-1/8	2,8	15	40
K0338.11412A0	K0338.12412A0	K0338.13412A0	K0338.14412A0	12	3/4-16	33	78	28	14	25	12	22	-11-1/8 -11-1/8	2,8	15	39
K0338.11516A8	K0338.12516A8	K0338.13516A8	K0338.14516A8	16	1-8	40	96	32	18	28	16	27	-11-1/2 -11-1/2	3,2	20	46

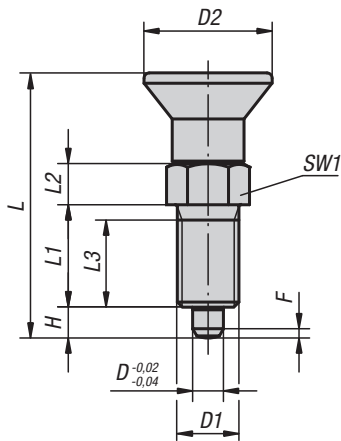
## Indexing Plungers

pull knob

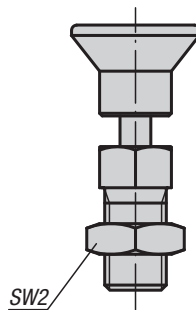
METRIC  
Parts



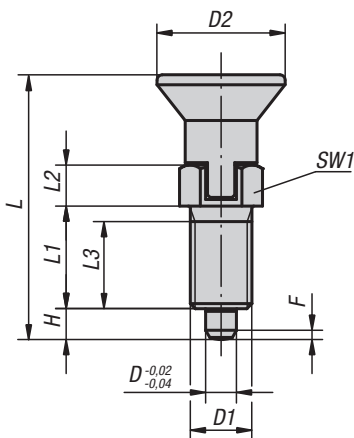
Style A  
non-lockout type  
without locknut



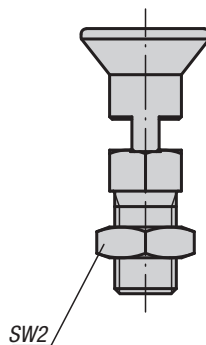
Style B  
non-lockout type  
with locknut



Style C  
lockout type  
without locknut



Style D  
lockout type  
with locknut



**Material:**

Steel version  
Indexing pin hardened:  
quality class 5.8.

Stainless steel version  
Indexing pin hardened:  
Threaded sleeve 1.4305 (AISI 303 equivalent).  
Indexing pin 1.4034 (AISI 420 equivalent).

Indexing pin not hardened:  
Threaded sleeve 1.4305 (AISI 303 equivalent).  
Indexing pin 1.4305 (AISI 303 equivalent).

Mushroom knob black-grey thermoplastic.

**Type:**

Steel version:  
Indexing pin hardened, ground and with black oxide finish.

Stainless steel version:  
Indexing pin hardened, ground and bright.  
Indexing pin not hardened, ground and bright.

**Part Number Example:**

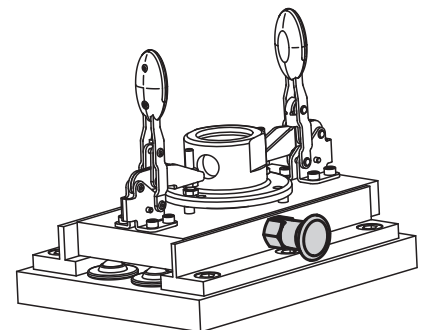
K0338.1903AJ

**Note:**

For the inch series, dimensions D1 and SW2 are in inches, all other dimensions are in mm.  
Indexing Plungers are used to prevent any change in locking position due to lateral forces. A new locking position can only be set after the pin has been manually disengaged.  
Style C or D is recommended for applications where the plunger remains disengaged over a long period and the pin should be prevented from springing back.

**On request:**

Special versions and spacer rings K0665.



## Indexing Plungers

pull knob



## KIPP Indexing Plungers, pull knob, steel, locking pin hardened, metric

Item No. Style A	Item No. Style B	Item No. Style C	Item No. Style D	D	D1	D2	L	L1	L2	L3	H	SW1	SW2	Fx30°	Spring force initial pressure F1 approx. N	Spring force final pressure F2 approx. N
K0338.1903	K0338.2903	K0338.3903	K0338.4903	3	M6x0,75	14	31,5	12	5	10	3,5	8	-110 -110	0,8	4,5	10
K0338.1004	K0338.2004	K0338.3004	K0338.4004	4	M8x1	18	38,5	15	6	13	4	10	-113 -113	1	6	12
K0338.1105	K0338.2105	K0338.3105	K0338.4105	5	M10x1	21	43,5	17	7	15	5	13	-117 -117	1,3	5	12
K0338.1206	K0338.2206	K0338.3206	K0338.4206	6	M12x1,5	25	51,7	20	8	17	6	14	-119 -119	1,8	6	14
K0338.1308	K0338.2308	K0338.3308	K0338.4308	8	M16x1,5	33	68	26	10	23	8	19	-124 -124	2,3	15	35
K0338.1410	K0338.2410	K0338.3410	K0338.4410	10	M20x1,5	33	74	28	12	25	10	22	-130 -130	2,8	15	34
K0338.1412	K0338.2412	K0338.3412	K0338.4412	12	M20x1,5	33	78	28	14	25	12	22	-130 -130	2,8	15	39
K0338.1516	K0338.2516	K0338.3516	K0338.4516	16	M24x2	40	96	32	18	28	16	27	-136 -136	3,2	20	46

## KIPP Indexing Plungers, pull knob, stainless steel, locking pin hardened, metric

Item No. Style A	Item No. Style B	Item No. Style C	Item No. Style D	D	D1	D2	L	L1	L2	L3	H	SW1	SW2	Fx30°	Spring force initial pressure F1 approx. N	Spring force final pressure F2 approx. N
K0338.01903	K0338.02903	K0338.03903	K0338.04903	3	M6x0,75	14	31,5	12	5	10	3,5	8	-110 -110	0,8	4,5	10
K0338.01004	K0338.02004	K0338.03004	K0338.04004	4	M8x1	18	38,5	15	6	13	4	10	-113 -113	1	6	12
K0338.01105	K0338.02105	K0338.03105	K0338.04105	5	M10x1	21	43,5	17	7	15	5	13	-117 -117	1,3	5	12
K0338.01206	K0338.02206	K0338.03206	K0338.04206	6	M12x1,5	25	51,7	20	8	17	6	14	-119 -119	1,8	6	14
K0338.01308	K0338.02308	K0338.03308	K0338.04308	8	M16x1,5	33	68	26	10	23	8	19	-124 -124	2,3	15	35
K0338.01410	K0338.02410	K0338.03410	K0338.04410	10	M20x1,5	33	74	28	12	25	10	22	-130 -130	2,8	15	34
K0338.01412	K0338.02412	K0338.03412	K0338.04412	12	M20x1,5	33	78	28	14	25	12	22	-130 -130	2,8	15	39
K0338.01516	K0338.02516	K0338.03516	K0338.04516	16	M24x2	40	96	32	18	28	16	27	-136 -136	3,2	20	46

## KIPP Indexing Plungers, pull knob, stainless steel, locking pin not hardened, metric

Item No. Style A	Item No. Style B	Item No. Style C	Item No. Style D	D	D1	D2	L	L1	L2	L3	H	SW1	SW2	Fx30°	Spring force initial pressure F1 approx. N	Spring force final pressure F2 approx. N
K0338.11903	K0338.12903	K0338.13903	K0338.14903	3	M6x0,75	14	31,5	12	5	10	3,5	8	-110 -110	0,8	4,5	10
K0338.11004	K0338.12004	K0338.13004	K0338.14004	4	M8x1	18	38,5	15	6	13	4	10	-113 -113	1	6	12
K0338.11105	K0338.12105	K0338.13105	K0338.14105	5	M10x1	21	43,5	17	7	15	5	13	-117 -117	1,3	5	12
K0338.11206	K0338.12206	K0338.13206	K0338.14206	6	M12x1,5	25	51,7	20	8	17	6	14	-119 -119	1,8	6	14
K0338.11308	K0338.12308	K0338.13308	K0338.14308	8	M16x1,5	33	68	26	10	23	8	19	-124 -124	2,3	15	35
K0338.11410	K0338.12410	K0338.13410	K0338.14410	10	M20x1,5	33	74	28	12	25	10	22	-130 -130	2,8	15	34
K0338.11412	K0338.12412	K0338.13412	K0338.14412	12	M20x1,5	33	78	28	14	25	12	22	-130 -130	2,8	15	39
K0338.11516	K0338.12516	K0338.13516	K0338.14516	16	M24x2	40	96	32	18	28	16	27	-136 -136	3,2	20	46

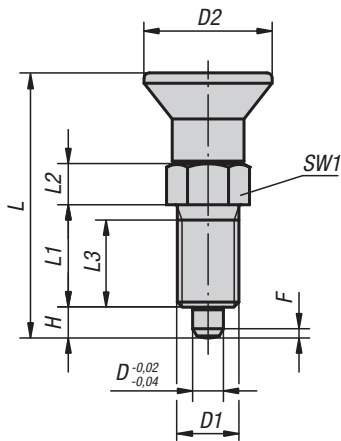
## Indexing Plungers

pull knob

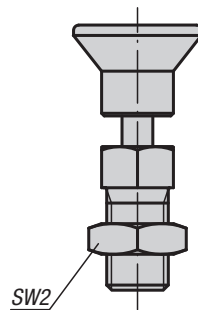
INCH  
Parts



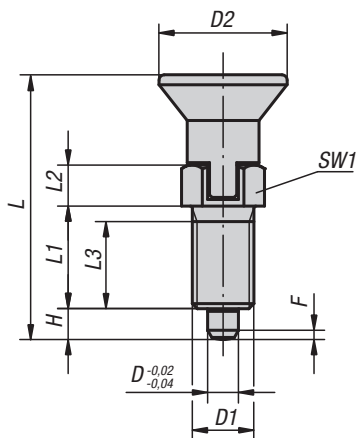
Style A  
non-lockout type  
without locknut



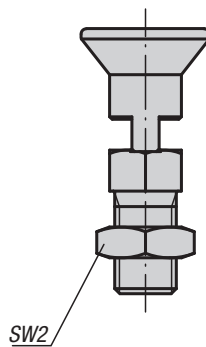
Style B  
non-lockout type  
with locknut



Style C  
lockout type  
without locknut



Style D  
lockout type  
with locknut



**Material:**

Steel version  
Indexing pin hardened:  
quality class 5.8.

Stainless steel version  
Indexing pin hardened:  
Threaded sleeve 1.4305 (AISI 303 equivalent)  
Indexing pin 1.4034 (AISI 420 equivalent)

Indexing pin not hardened:  
Threaded sleeve 1.4305 (AISI 303 equivalent)  
Indexing pin 1.4305 (AISI 303 equivalent)

Mushroom knob red thermoplastic.

**Type:**

Steel version:  
Indexing pin hardened, ground and with black oxide finish.

Stainless steel version:  
Indexing pin hardened, ground and bright.  
Indexing pin not hardened, ground and bright.

**Order information:**

K0338.0420684

**Note:**

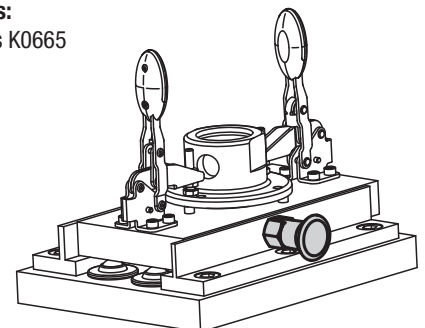
For the inch series, dimensions D1 and SW2 are in inches, all other dimensions are in mm.  
Indexing Plungers are used to prevent any change in locking position due to lateral forces. A new locking position can only be set after the pin has been manually disengaged. Style C or D is recommended for applications where the plunger remains disengaged over a long period and the pin should be prevented from springing back.

**On request:**

Special versions.

**Accessories:**

Spacer rings K0665



## Indexing Plungers

pull knob



## KIPP Indexing plungers, steel, indexing pin hardened, inch

Item No. Style A	Item No. Style B	Item No. Style C	Item No. Style D	D	D1	D2	L	L1	L2	L3	H	SW1	SW2	Fx30°	Spring force initial pressure F1 approx. N	Spring force final pressure F2 approx. N
K0338.1903AJ84	K0338.2903AJ84	K0338.3903AJ84	K0338.4903AJ84	3	1/4-28	14	31,5	12	5	10	3,5	8	-17/16 -17/16	0,8	4,5	10
K0338.1004AK84	K0338.2004AK84	K0338.3004AK84	K0338.4004AK84	4	5/16-24	18	38,5	15	6	13	4	10	-11/2 -11/2	1	6	12
K0338.1105AL84	K0338.2105AL84	K0338.3105AL84	K0338.4105AL84	5	3/8-24	21	43,5	17	7	15	5	13	-19/16 -19/16	1,3	5	12
K0338.1206A584	K0338.2206A584	K0338.3206A584	K0338.4206A584	6	1/2-13	25	51,7	20	8	16	6	14	-13/4 -13/4	1,8	6	14
K0338.1308A684	K0338.2308A684	K0338.3308A684	K0338.4308A684	8	5/8-11	33	68	26	10	21	8	19	-115/16 -115/16	2,3	15	35
K0338.1410A784	K0338.2410A784	K0338.3410A784	K0338.4410A784	10	3/4-10	33	74	28	12	23	10	22	-11-1/8 -11-1/8	2,8	15	40
K0338.1412A084	K0338.2412A084	K0338.3412A084	K0338.4412A084	12	3/4-16	33	78	28	14	25	12	22	-11-1/8 -11-1/8	2,8	15	39
K0338.1516A884	K0338.2516A884	K0338.3516A884	K0338.4516A884	16	1-8	40	96	32	18	28	16	27	-11-1/2 -11-1/2	3,2	20	46

## KIPP Indexing plungers, stainless steel, indexing pin hardened, inch

Item No. Style A	Item No. Style B	Item No. Style C	Item No. Style D	D	D1	D2	L	L1	L2	L3	H	SW1	SW2	Fx30°	Spring force initial pressure F1 approx. N	Spring force final pressure F2 approx. N
K0338.01903AJ84	K0338.02903AJ84	K0338.03903AJ84	K0338.04903AJ84	3	1/4-28	14	31,5	12	5	10	3,5	8	-17/16 -17/16	0,8	4,5	10
K0338.01004AK84	K0338.02004AK84	K0338.03004AK84	K0338.04004AK84	4	5/16-24	18	38,5	15	6	13	4	10	-11/2 -11/2	1	6	12
K0338.01105AL84	K0338.02105AL84	K0338.03105AL84	K0338.04105AL84	5	3/8-24	21	43,5	17	7	15	5	13	-19/16 -19/16	1,3	5	12
K0338.01206A584	K0338.02206A584	K0338.03206A584	K0338.04206A584	6	1/2-13	25	51,7	20	8	16	6	14	-13/4 -13/4	1,8	6	14
K0338.01308A684	K0338.02308A684	K0338.03308A684	K0338.04308A684	8	5/8-11	33	68	26	10	21	8	19	-115/16 -115/16	2,3	15	35
K0338.01410A784	K0338.02410A784	K0338.03410A784	K0338.04410A784	10	3/4-10	33	74	28	12	23	10	22	-11-1/8 -11-1/8	2,8	15	40
K0338.01412A084	K0338.02412A084	K0338.03412A084	K0338.04412A084	12	3/4-16	33	78	28	14	25	12	22	-11-1/8 -11-1/8	2,8	15	39
K0338.01516A884	K0338.02516A884	K0338.03516A884	K0338.04516A884	16	1-8	40	96	32	18	28	16	27	-11-1/2 -11-1/2	3,2	20	46

## KIPP Indexing plungers, stainless steel, indexing pin not hardened, inch

Item No. Style A	Item No. Style B	Item No. Style C	Item No. Style D	D	D1	D2	L	L1	L2	L3	H	SW1	SW2	Fx30°	Spring force initial pressure F1 approx. N	Spring force final pressure F2 approx. N
K0338.11903AJ84	K0338.12903AJ84	K0338.13903AJ84	K0338.14903AJ84	3	1/4-28	14	31,5	12	5	10	3,5	8	-17/16 -17/16	0,8	4,5	10
K0338.11004AK84	K0338.12004AK84	K0338.13004AK84	K0338.14004AK84	4	5/16-24	18	38,5	15	6	13	4	10	-11/2 -11/2	1	6	12
K0338.11105AL84	K0338.12105AL84	K0338.13105AL84	K0338.14105AL84	5	3/8-24	21	43,5	17	7	15	5	13	-19/16 -19/16	1,3	5	12
K0338.11206A584	K0338.12206A584	K0338.13206A584	K0338.14206A584	6	1/2-13	25	51,7	20	8	16	6	14	-13/4 -13/4	1,8	6	14
K0338.11308A684	K0338.12308A684	K0338.13308A684	K0338.14308A684	8	5/8-11	33	68	26	10	21	8	19	-115/16 -115/16	2,3	15	35
K0338.11410A784	K0338.12410A784	K0338.13410A784	K0338.14410A784	10	3/4-10	33	74	28	12	23	10	22	-11-1/8 -11-1/8	2,8	15	40
K0338.11412A084	K0338.12412A084	K0338.13412A084	K0338.14412A084	12	3/4-16	33	78	28	14	25	12	22	-11-1/8 -11-1/8	2,8	15	39
K0338.11516A884	K0338.12516A884	K0338.13516A884	K0338.14516A884	16	1-8	40	96	32	18	28	16	27	-11-1/2 -11-1/2	3,2	20	46

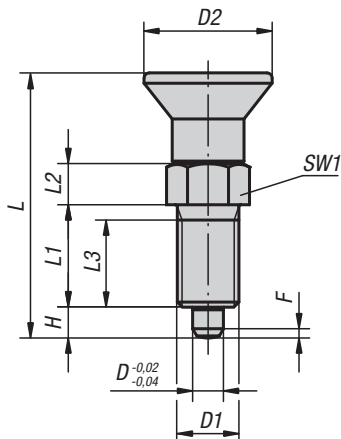
## Indexing Plungers

pull knob

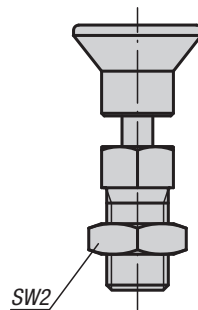
METRIC  
Parts



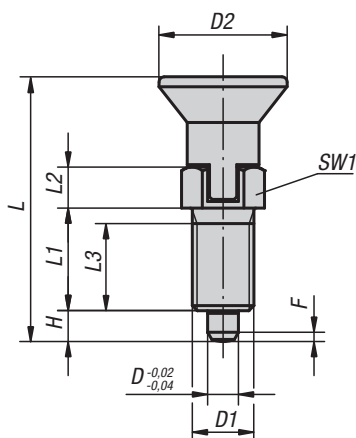
Style A  
non-lockout type  
without locknut



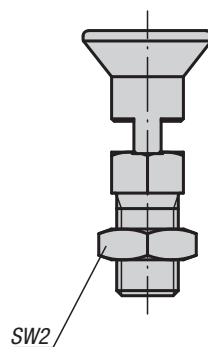
Style B  
non-lockout type  
with locknut



Style C  
lockout type  
without locknut



Style D  
lockout type  
with locknut



**Material:**

Steel version  
Indexing pin hardened:  
quality class 5.8.

Stainless steel version  
Indexing pin hardened:  
Threaded sleeve 1.4305 (AISI 303 equivalent)  
Indexing pin 1.4034 (AISI 420 equivalent)

Indexing pin not hardened:  
Threaded sleeve 1.4305 (AISI 303 equivalent)  
Indexing pin 1.4305 (AISI 303 equivalent)

Mushroom knob red thermoplastic.

**Type:**

Steel version:  
Indexing pin hardened, ground and with black oxide finish.

Stainless steel version:  
Indexing pin hardened, ground and bright.  
Indexing pin not hardened, ground and bright.

**Order information:**

K0338.0420684

**Note:**

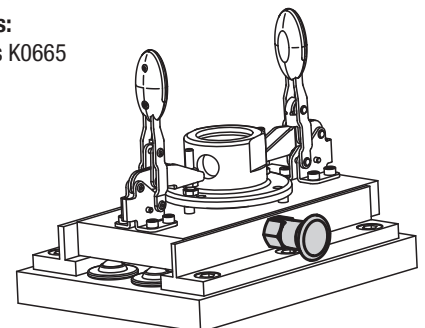
For the inch series, dimensions D1 and SW2 are in inches, all other dimensions are in mm.  
Indexing Plungers are used to prevent any change in locking position due to lateral forces. A new locking position can only be set after the pin has been manually disengaged. Style C or D is recommended for applications where the plunger remains disengaged over a long period and the pin should be prevented from springing back.

**On request:**

Special versions.

**Accessories:**

Spacer rings K0665



# Indexing Plungers

pull knob

## KIPP Indexing plungers, steel, indexing pin hardened, metric

Item No. Style A	Item No. Style B	Item No. Style C	Item No. Style D	D	D1	D2	L	L1	L2	L3	H	SW1	SW2	Fx30°	Spring force initial pressure F1 approx. N	Spring force final pressure F2 approx. N
K0338.190384	K0338.290384	K0338.390384	K0338.490384	3	M6x0,75	14	31,5	12	5	10	3,5	8	-110 -110	0,8	4,5	10
K0338.100484	K0338.200484	K0338.300484	K0338.400484	4	M8x1	18	38,5	15	6	13	4	10	-113 -113	1	6	12
K0338.110584	K0338.210584	K0338.310584	K0338.410584	5	M10x1	21	43,5	17	7	15	5	13	-117 -117	1,3	5	12
K0338.120684	K0338.220684	K0338.320684	K0338.420684	6	M12x1,5	25	51,7	20	8	17	6	14	-119 -119	1,8	6	14
K0338.130884	K0338.230884	K0338.330884	K0338.430884	8	M16x1,5	33	68	26	10	23	8	19	-124 -124	2,3	15	35
K0338.141084	K0338.241084	K0338.341084	K0338.441084	10	M20x1,5	33	74	28	12	25	10	22	-130 -130	2,8	15	34
K0338.141284	K0338.241284	K0338.341284	K0338.441284	12	M20x1,5	33	78	28	14	25	12	22	-130 -130	2,8	15	39
K0338.151684	K0338.251684	K0338.351684	K0338.451684	16	M24x2	40	96	32	18	28	16	27	-136 -136	3,2	20	46

## KIPP Indexing plungers, stainless steel, indexing pin hardened, metric

Item No. Style A	Item No. Style B	Item No. Style C	Item No. Style D	D	D1	D2	L	L1	L2	L3	H	SW1	SW2	Fx30°	Spring force initial pressure F1 approx. N	Spring force final pressure F2 approx. N
K0338.0190384	K0338.0290384	K0338.0390384	K0338.0490384	3	M6x0,75	14	31,5	12	5	10	3,5	8	-110 -110	0,8	4,5	10
K0338.0100484	K0338.0200484	K0338.0300484	K0338.0400484	4	M8x1	18	38,5	15	6	13	4	10	-113 -113	1	6	12
K0338.0110584	K0338.0210584	K0338.0310584	K0338.0410584	5	M10x1	21	43,5	17	7	15	5	13	-117 -117	1,3	5	12
K0338.0120684	K0338.0220684	K0338.0320684	K0338.0420684	6	M12x1,5	25	51,7	20	8	17	6	14	-119 -119	1,8	6	14
K0338.0130884	K0338.0230884	K0338.0330884	K0338.0430884	8	M16x1,5	33	68	26	10	23	8	19	-124 -124	2,3	15	35
K0338.0141084	K0338.0241084	K0338.0341084	K0338.0441084	10	M20x1,5	33	74	28	12	25	10	22	-130 -130	2,8	15	34
K0338.0141284	K0338.0241284	K0338.0341284	K0338.0441284	12	M20x1,5	33	78	28	14	25	12	22	-130 -130	2,8	15	39
K0338.0151684	K0338.0251684	K0338.0351684	K0338.0451684	16	M24x2	40	96	32	18	28	16	27	-136 -136	3,2	20	46

## KIPP Indexing plungers, stainless steel, indexing pin not hardened, metric

Item No. Style A	Item No. Style B	Item No. Style C	Item No. Style D	D	D1	D2	L	L1	L2	L3	H	SW1	SW2	Fx30°	Spring force initial pressure F1 approx. N	Spring force final pressure F2 approx. N
K0338.1100484	K0338.1200484	K0338.1300484	K0338.1400484	4	M8x1	18	38,5	15	6	13	4	10	-113 -113	1	6	12
K0338.1190384	K0338.1290384	K0338.1390384	K0338.1490384	3	M6x0,75	14	31,5	12	5	10	3,5	8	-110 -110	0,8	4,5	10
K0338.1110584	K0338.1210584	K0338.1310584	K0338.1410584	5	M10x1	21	43,5	17	7	15	5	13	-117 -117	1,3	5	12
K0338.1120684	K0338.1220684	K0338.1320684	K0338.1420684	6	M12x1,5	25	51,7	20	8	17	6	14	-119 -119	1,8	6	14
K0338.1130884	K0338.1230884	K0338.1330884	K0338.1430884	8	M16x1,5	33	68	26	10	23	8	19	-124 -124	2,3	15	35
K0338.1141084	K0338.1241084	K0338.1341084	K0338.1441084	10	M20x1,5	33	74	28	12	25	10	22	-130 -130	2,8	15	34
K0338.1141284	K0338.1241284	K0338.1341284	K0338.1441284	12	M20x1,5	33	78	28	14	25	12	22	-130 -130	2,8	15	39
K0338.1151684	K0338.1251684	K0338.1351684	K0338.1451684	16	M24x2	40	96	32	18	28	16	27	-136 -136	3,2	20	46

## Indexing Plungers

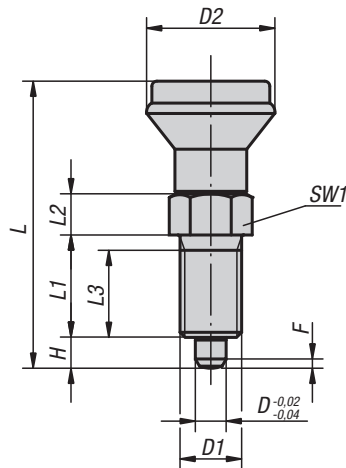
pull knob



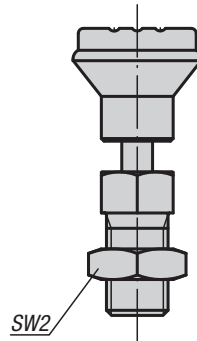
INCH Parts  
METRIC Parts



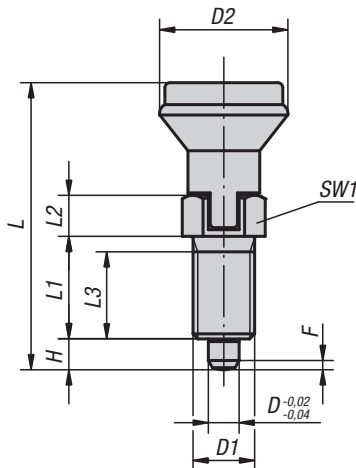
Style A  
non-lockout type  
without locknut



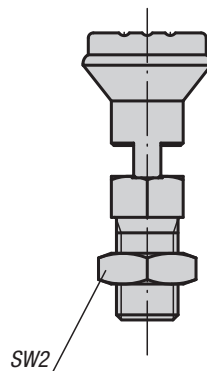
Style B  
non-lockout type  
with locknut



Style C  
lockout type  
without locknut



Style D  
lockout type  
with locknut



**Material:**

Steel version

Indexing pin hardened:  
quality class 5.8.

Stainless steel version

Indexing pin hardened:  
Threaded sleeve 1.4305 (AISI 303 equivalent).  
Indexing pin 1.4034 (AISI 420 equivalent).

Indexing pin not hardened:

Threaded sleeve 1.4305 (AISI 303 equivalent).  
Indexing pin 1.4305 (AISI 303 equivalent).

Mushroom knob black-grey thermoplastic.

**Type:**

Steel version:

Indexing pin hardened, ground and with black oxide finish.

Stainless steel version:

Indexing pin hardened, ground and bright.

Indexing pin not hardened, ground and bright.

**Part Number Example:**

K0339.1005A4

**Note:**

For the inch series, dimensions D1 and SW2 are in inches, all other dimensions are in mm.

Indexing plungers are used to prevent any change in locking position due to lateral forces. A new locking position can only be set after the pin has been manually disengaged. Style C or D is recommended for applications in which the pin is disengaged over extended periods and should be prevented from springing back.

**On request:**

Special versions and spacer rings K0665.

**KIPP Indexing Plungers, pull knob, steel, locking pin hardened, inch**

Item No. Style A	Item No. Style B	Item No. Style C	Item No. Style D	D	D1	D2	L	L1	L2	L3	H	SW1	SW2	Fx30°	Spring force initial pressure F1 approx. N	Spring force final pressure F2 approx. N
K0339.1005A4	K0339.2005A4	K0339.3005A4	K0339.4005A4	5	3/8-16	21	47	17	7	15	5	13	-19/16 -19/16	1,3	5	12
K0339.1105AL	K0339.2105AL	K0339.3105AL	K0339.4105AL	5	3/8-24	21	47	17	7	15	5	13	-19/16 -19/16	1,3	5	12
K0339.1206A5	K0339.2206A5	K0339.3206A5	K0339.4206A5	6	1/2-13	25	56	20	8	17	6	14	-13/4 -13/4	1,8	6	14
K0339.1308A6	K0339.2308A6	K0339.3308A6	K0339.4308A6	8	5/8-11	33	74	26	10	23	8	19	-115/16 -115/16	2,3	15	35
K0339.1410A7	K0339.2410A7	K0339.3410A7	K0339.4410A7	10	3/4-10	33	80	28	12	25	10	22	-11-1/8 -11-1/8	2,8	15	34



## Indexing Plungers

pull knob



## KIPP Indexing Plungers, pull knob, stainless steel, locking pin hardened, inch

Item No. Style A	Item No. Style B	Item No. Style C	Item No. Style D	D	D1	D2	L	L1	L2	L3	H	SW1	SW2	Fx30°	Spring force initial pressure F1 approx. N	Spring force final pressure F2 approx. N
K0339.01005A4	K0339.02005A4	K0339.03005A4	K0339.04005A4	5	3/8-16	21	47	17	7	15	5	13	-19/16 -19/16	1,3	5	12
K0339.01105AL	K0339.02105AL	K0339.03105AL	K0339.04105AL	5	3/8-24	21	47	17	7	15	5	13	-19/16 -19/16	1,3	5	12
K0339.01206A5	K0339.02206A5	K0339.03206A5	K0339.04206A5	6	1/2-13	25	56	20	8	17	6	14	-13/4 -13/4	1,8	6	14
K0339.01308A6	K0339.02308A6	K0339.03308A6	K0339.04308A6	8	5/8-11	33	74	26	10	23	8	19	-15/16 -15/16	2,3	15	35
K0339.01410A7	K0339.02410A7	K0339.03410A7	K0339.04410A7	10	3/4-10	33	80	28	12	25	10	22	-11-1/8 -11-1/8	2,8	15	34

## KIPP Indexing Plungers, pull knob, stainless steel, locking pin not hardened, inch

Item No. Style A	Item No. Style B	Item No. Style C	Item No. Style D	D	D1	D2	L	L1	L2	L3	H	SW1	SW2	Fx30°	Spring force initial pressure F1 approx. N	Spring force final pressure F2 approx. N
K0339.11005A4	K0339.12005A4	K0339.13005A4	K0339.14005A4	5	3/8-16	21	47	17	7	15	5	13	-19/16 -19/16	1,3	5	12
K0339.11105AL	K0339.12105AL	K0339.13105AL	K0339.14105AL	5	3/8-24	21	47	17	7	15	5	13	-19/16 -19/16	1,3	5	12
K0339.11206A5	K0339.12206A5	K0339.13206A5	K0339.14206A5	6	1/2-13	25	56	20	8	17	6	14	-13/4 -13/4	1,8	6	14
K0339.11308A6	K0339.12308A6	K0339.13308A6	K0339.14308A6	8	5/8-11	33	74	26	10	23	8	19	-15/16 -15/16	2,3	15	35
K0339.11410A7	K0339.12410A7	K0339.13410A7	K0339.14410A7	10	3/4-10	33	80	28	12	25	10	22	-11-1/8 -11-1/8	2,8	15	34

## KIPP Indexing Plungers, pull knob, steel, locking pin hardened, metric

Item No. Style A	Item No. Style B	Item No. Style C	Item No. Style D	D	D1	D2	L	L1	L2	L3	H	SW1	SW2	Fx30°	Spring force initial pressure F1 approx. N	Spring force final pressure F2 approx. N
K0339.1105	K0339.2105	K0339.3105	K0339.4105	5	M10x1	21	47	17	7	15	5	13	-17/-17	1,3	5	12
K0339.1206	K0339.2206	K0339.3206	K0339.4206	6	M12x1,5	25	56	20	8	17	6	14	-19/-19	1,8	6	14
K0339.1308	K0339.2308	K0339.3308	K0339.4308	8	M16x1,5	33	74	26	10	23	8	19	-24/-24	2,3	15	35
K0339.1410	K0339.2410	K0339.3410	K0339.4410	10	M20x1,5	33	80	28	12	25	10	22	-30/-30	2,8	15	34

## KIPP Indexing Plungers, pull knob, stainless steel, locking pin hardened, metric

Item No. Style A	Item No. Style B	Item No. Style C	Item No. Style D	D	D1	D2	L	L1	L2	L3	H	SW1	SW2	Fx30°	Spring force initial pressure F1 approx. N	Spring force final pressure F2 approx. N
K0339.01105	K0339.02105	K0339.03105	K0339.04105	5	M10x1	21	47	17	7	15	5	13	-17/-17	1,3	5	12
K0339.01206	K0339.02206	K0339.03206	K0339.04206	6	M12x1,5	25	56	20	8	17	6	14	-19/-19	1,8	6	14
K0339.01308	K0339.02308	K0339.03308	K0339.04308	8	M16x1,5	33	74	26	10	23	8	19	-24/-24	2,3	15	35
K0339.01410	K0339.02410	K0339.03410	K0339.04410	10	M20x1,5	33	80	28	12	25	10	22	-30/-30	2,8	15	34

## KIPP Indexing Plungers, pull knob, stainless steel, locking pin not hardened, metric

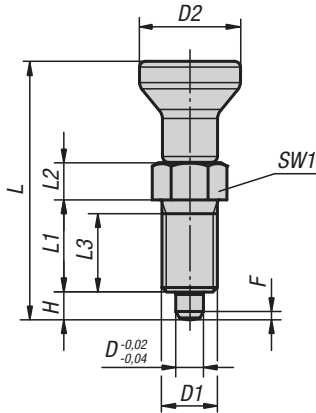
Item No. Style A	Item No. Style B	Item No. Style C	Item No. Style D	D	D1	D2	L	L1	L2	L3	H	SW1	SW2	Fx30°	Spring force initial pressure F1 approx. N	Spring force final pressure F2 approx. N
K0339.11105	K0339.12105	K0339.13105	K0339.14105	5	M10x1	21	47	17	7	15	5	13	-17/-17	1,3	5	12
K0339.11206	K0339.12206	K0339.13206	K0339.14206	6	M12x1,5	25	56	20	8	17	6	14	-19/-19	1,8	6	14
K0339.11308	K0339.12308	K0339.13308	K0339.14308	8	M16x1,5	33	74	26	10	23	8	19	-24/-24	2,3	15	35
K0339.11410	K0339.12410	K0339.13410	K0339.14410	10	M20x1,5	33	80	28	12	25	10	22	-30/-30	2,8	15	34

## Indexing Plungers

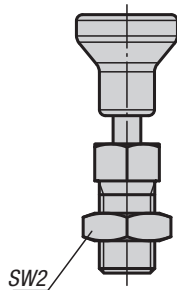
pull knob, stainless steel



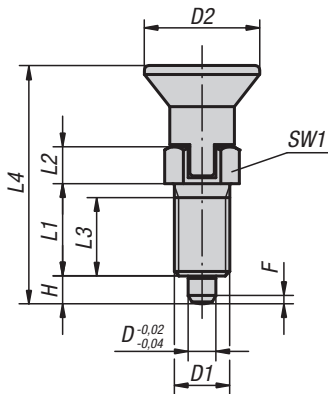
Style A  
non-lockout type  
without locknut



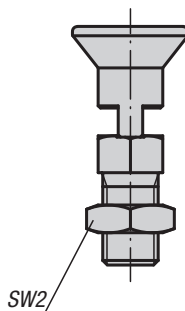
Style B  
non-lockout type  
with locknut



Style C  
lockout type  
without locknut



Style D  
lockout type  
with locknut



**Material:**

Indexing pin hardened:  
Threaded sleeve 1.4305 (AISI 303 equivalent).  
Indexing pin 1.4034 (AISI 420 equivalent).

Indexing pin not hardened:  
Threaded sleeve 1.4305 (AISI 303 equivalent).  
Indexing pin 1.4305 (AISI 303 equivalent).

Mushroom knob 1.4305 (AISI 303 equivalent),  
electropolished.

**Type:**

Bright.  
Indexing pin ground.

**Part Number Example:**

K0632.001903AJ

**Note:**

For the inch series, dimensions D1 and SW2 are in inches, all other dimensions are in mm.  
Indexing plungers are used to prevent any change in locking position due to lateral forces. A new locking position can only be set after the pin has been manually disengaged. Style C or D is recommended for applications in which the pin is disengaged over extended periods and should be prevented from springing back.

**On request:**

Special versions.

### KIPP KIPP Specifications

D	D2	L1	L2	L3	H	SW1	Spring force initial pressure F1 approx. N	Spring force final pressure F2 approx. N
3	14	12	5	10	3,5	8	4,5	10
4	18	15	6	13	4	10	6	12
5	21	17	7	15	5	13	4,5	12
6	25	20	8	17	6	14	6	14
8	33	26	10	23	8	19	15	35
10	33	28	12	25	10	22	15	34
12	33	28	14	25	12	22	15	39
16	40	32	18	28	16	27	20	46

# Indexing Plungers

pull knob, stainless steel

## KIPP Indexing Plungers, pull knob, stainless steel, locking pin hardened, inch

Item No. Style A	Item No. Style B	Item No. Style C	Item No. Style D	D1	L	L4	SW2	Fx30°
K0632.001903AJ	K0632.002903AJ	K0632.003903AJ	K0632.004903AJ	1/4-28	34,5/34,5/-/-	-/-/31,5/31,5	-17/161-17/16	0,8
K0632.001004AK	K0632.002004AK	K0632.003004AK	K0632.004004AK	5/16-24	43/43/-/-	-/-/38,5/38,5	-11/21-11/2	1
K0632.001105AL	K0632.002105AL	K0632.003105AL	K0632.004105AL	3/8-24	50/50/-/-	-/-/43,5/43,5	-19/161-19/16	1,3
K0632.001206A5	K0632.002206A5	K0632.003206A5	K0632.004206A5	1/2-13	59/59/-/-	-/-/52/52	-13/41-13/4	1,8
K0632.001308A6	K0632.002308A6	K0632.003308A6	K0632.004308A6	5/8-11	77/77/-/-	-/-/68/68	-115/161-115/16	2,3
K0632.001410A7	K0632.002410A7	K0632.003410A7	K0632.004410A7	3/4-10	83/83/-/-	-/-/74/74	-11-1/81-11-1/8	2,6
K0632.001412A0	K0632.002412A0	K0632.003412A0	K0632.004412A0	3/4-16	87/87/-/-	-/-/78/78	-11-1/81-11-1/8	2,8
K0632.001516A8	K0632.002516A8	K0632.003516A8	K0632.004516A8	1-8	106/106/-/-	-/-/96/96	-11-1/21-11-1/2	3,2

## KIPP Indexing Plungers, pull knob, stainless steel, locking pin not hardened, inch

Item No. Style A	Item No. Style B	Item No. Style C	Item No. Style D	D1	L	L4	SW2	Fx30°
K0632.111903AJ	K0632.112903AJ	K0632.113903AJ	K0632.114903AJ	1/4-28	34,5/34,5/-/-	-/-/31,5/31,5	-17/161-17/16	0,8
K0632.111004AK	K0632.112004AK	K0632.113004AK	K0632.114004AK	5/16-24	43/43/-/-	-/-/38,5/38,5	-11/21-11/2	1
K0632.111105AL	K0632.112105AL	K0632.113105AL	K0632.114105AL	3/8-24	50/50/-/-	-/-/43,5/43,5	-19/161-19/16	1,3
K0632.111206A5	K0632.112206A5	K0632.113206A5	K0632.114206A5	1/2-13	59/59/-/-	-/-/52/52	-13/41-13/4	1,8
K0632.111308A6	K0632.112308A6	K0632.113308A6	K0632.114308A6	5/8-11	77/77/-/-	-/-/68/68	-115/161-115/16	2,3
K0632.111410A7	K0632.112410A7	K0632.113410A7	K0632.114410A7	3/4-10	83/83/-/-	-/-/74/74	-11-1/81-11-1/8	2,6
K0632.111412A0	K0632.112412A0	K0632.113412A0	K0632.114412A0	3/4-16	87/87/-/-	-/-/78/78	-11-1/81-11-1/8	2,8
K0632.111516A8	K0632.112516A8	K0632.113516A8	K0632.114516A8	1-8	106/106/-/-	-/-/96/96	-11-1/21-11-1/2	3,2

## KIPP Indexing Plungers, pull knob, stainless steel, locking pin hardened, metric

Item No. Style A	Item No. Style B	Item No. Style C	Item No. Style D	D1	L	L4	SW2	Fx30°
K0632.001903	K0632.002903	K0632.003903	K0632.004903	M6x0,75	34,5/34,5/-/-	-/-/31,5/31,5	- / 10 / - / 10	0,8
K0632.001004	K0632.002004	K0632.003004	K0632.004004	M8x1	43/43/-/-	-/-/38,5/38,5	- / 13 / - / 13	1
K0632.001105	K0632.002105	K0632.003105	K0632.004105	M10x1	50/50/-/-	-/-/43,5/43,5	- / 17 / - / 17	1,3
K0632.001206	K0632.002206	K0632.003206	K0632.004206	M12x1,5	59/59/-/-	-/-/51,7/51,7	- / 19 / - / 19	1,8
K0632.001308	K0632.002308	K0632.003308	K0632.004308	M16x1,5	77/77/-/-	-/-/68/68	- / 24 / - / 24	2,3
K0632.001410	K0632.002410	K0632.003410	K0632.004410	M20x1,5	83/83/-/-	-/-/74/74	- / 30 / - / 30	2,8
K0632.001412	K0632.002412	K0632.003412	K0632.004412	M20x1,5	87/87/-/-	-/-/78/78	- / 30 / - / 30	2,8
K0632.001516	K0632.002516	K0632.003516	K0632.004516	M24x2	106/106/-/-	-/-/96/96	- / 36 / - / 36	3,2

## KIPP Indexing Plungers, pull knob, stainless steel, locking pin not hardened, metric

Item No. Style A	Item No. Style B	Item No. Style C	Item No. Style D	D1	L	L4	SW2	Fx30°
K0632.111903	K0632.112903	K0632.113903	K0632.114903	M6x0,75	34,5/34,5/-/-	-/-/31,5/31,5	- / 10 / - / 10	0,8
K0632.111004	K0632.112004	K0632.113004	K0632.114004	M8x1	43/43/-/-	-/-/38,5/38,5	- / 13 / - / 13	1
K0632.111105	K0632.112105	K0632.113105	K0632.114105	M10x1	50/50/-/-	-/-/43,5/43,5	- / 17 / - / 17	1,3
K0632.111206	K0632.112206	K0632.113206	K0632.114206	M12x1,5	59/59/-/-	-/-/51,7/51,7	- / 19 / - / 19	1,8
K0632.111308	K0632.112308	K0632.113308	K0632.114308	M16x1,5	77/77/-/-	-/-/68/68	- / 24 / - / 24	2,3
K0632.111410	K0632.112410	K0632.113410	K0632.114410	M20x1,5	83/83/-/-	-/-/74/74	- / 30 / - / 30	2,8
K0632.111412	K0632.112412	K0632.113412	K0632.114412	M20x1,5	87/87/-/-	-/-/78/78	- / 30 / - / 30	2,8
K0632.111516	K0632.112516	K0632.113516	K0632.114516	M24x2	106/106/-/-	-/-/96/96	- / 36 / - / 36	3,2

## Indexing Plungers

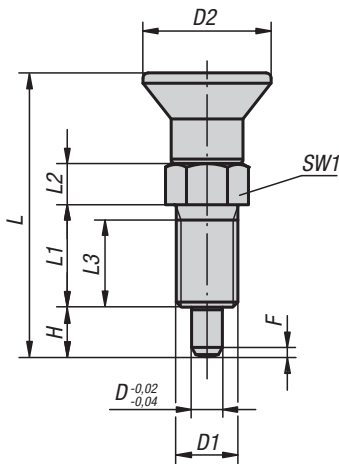
pull knob, with extended locking pin



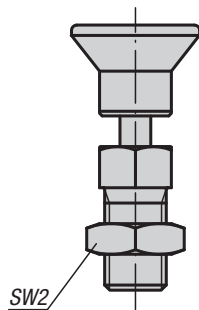
INCH  
Parts



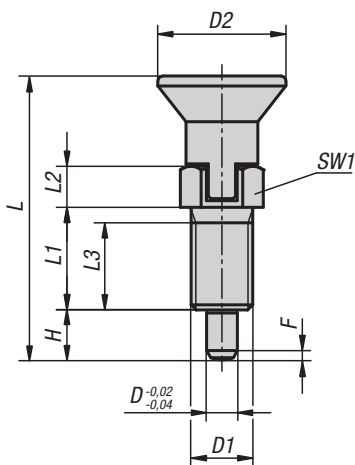
Style A  
non-lockout type  
without locknut



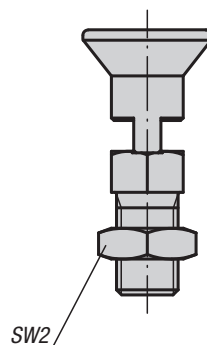
Style B  
non-lockout type  
with locknut



Style C  
with locking slot  
without locknut



Style D  
with locking slot  
with locknut



**Material:**

Steel version  
Indexing pin hardened:  
quality class 5.8.

Stainless steel version  
Indexing pin hardened:  
Threaded sleeve 1.4305 (AISI 303 equivalent).  
Indexing pin 1.4034 (AISI 420 equivalent).

Indexing pin not hardened:  
Threaded sleeve 1.4305 (AISI 303 equivalent).  
Indexing pin 1.4305 (AISI 303 equivalent).

Mushroom knob black-grey thermoplastic.

**Type:**

Steel version:  
Indexing pin hardened, ground and with black oxide finish.

Stainless steel version:  
Indexing pin hardened, ground and bright.  
Indexing pin not hardened, ground and bright.

**Part Number Example:**

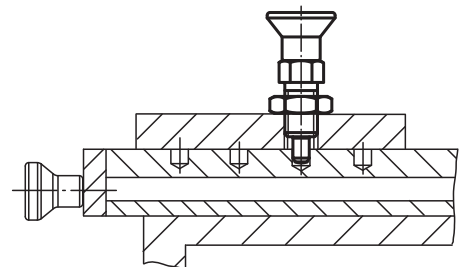
K0630.21903AJ

**Note:**

For the inch series, dimensions D1 and SW2 are in inches, all other dimensions are in mm.  
Indexing plungers are used to prevent any change in locking position due to lateral forces. A new locking position can only be set after the pin has been manually disengaged.

**On request:**

Special versions and spacer rings K0665.



# Indexing Plungers

pull knob, with extended locking pin

## KIPP Indexing Plungers with extended locking pin, pull knob, steel, locking pin hardened, inch

Item No. Style A	Item No. Style B	D	D1	D2	L	L1	L2	L3	H	SW1	SW2	Fx30°	Spring force initial pressure F1 approx. N	Spring force final pressure F2 approx. N
K0630.21903AJ	K0630.22903AJ	3	1/4-28	14	33	12	5	10	5	8	-17/16	0,8	4,5	12
K0630.21004AK	K0630.22004AK	4	5/16-24	18	40,5	15	6	13	6	10	-11/2	1	6	15
K0630.21105AL	K0630.22105AL	5	3/8-24	21	46,5	17	7	15	8	13	-19/16	1,3	5	16
K0630.21206A5	K0630.22206A5	6	1/2-13	25	55	20	8	17	9	14	-13/4	1,8	6	18
K0630.21308A6	K0630.22308A6	8	5/8-11	33	72	26	10	23	12	19	-115/16	2,3	15	45
K0630.21410A7	K0630.22410A7	10	3/4-10	33	79	28	12	25	15	22	-11-1/8	2,8	15	43
K0630.21412A0	K0630.22412A0	12	3/4-16	33	84	28	14	25	18	22	-11-1/8	2,8	15	51
K0630.21516A8	K0630.22516A8	16	1-8	40	104	32	18	28	24	27	-11-1/2	3,2	20	60

## KIPP Indexing Plungers with extended locking pin, pull knob, stainless steel, locking pin hardened, inch

Item No. Style A	Item No. Style B	D	D1	D2	L	L1	L2	L3	H	SW1	SW2	Fx30°	Spring force initial pressure F1 approx. N	Spring force final pressure F2 approx. N
K0630.201903AJ	K0630.202903AJ	3	1/4-28	14	33	12	5	10	5	8	-17/16	0,8	4,5	12
K0630.201004AK	K0630.202004AK	4	5/16-24	18	40,5	15	6	13	6	10	-11/2	1	6	15
K0630.201105AL	K0630.202105AL	5	3/8-24	21	46,5	17	7	15	8	13	-19/16	1,3	5	16
K0630.201206A5	K0630.202206A5	6	1/2-13	25	55	20	8	17	9	14	-13/4	1,8	6	18
K0630.201308A6	K0630.202308A6	8	5/8-11	33	72	26	10	23	12	19	-115/16	2,3	15	45
K0630.201410A7	K0630.202410A7	10	3/4-10	33	79	28	12	25	15	22	-11-1/8	2,8	15	43
K0630.201412A0	K0630.202412A0	12	3/4-16	33	84	28	14	25	18	22	-11-1/8	2,8	15	51
K0630.201516A8	K0630.202516A8	16	1-8	40	104	32	18	28	24	27	-11-1/2	3,2	20	60

## KIPP Indexing Plungers with extended locking pin, pull knob, stainless steel, locking pin not hardened, inch

Item No. Style A	Item No. Style B	D	D1	D2	L	L1	L2	L3	H	SW1	SW2	Fx30°	Spring force initial pressure F1 approx. N	Spring force final pressure F2 approx. N
K0630.211903AJ	K0630.212903AJ	3	1/4-28	14	33	12	5	10	5	8	-17/16	0,8	4,5	12
K0630.211004AK	K0630.212004AK	4	5/16-24	18	40,5	15	6	13	6	10	-11/2	1	6	15
K0630.211105AL	K0630.212105AL	5	3/8-24	21	46,5	17	7	15	8	13	-19/16	1,3	5	16
K0630.211206A5	K0630.212206A5	6	1/2-13	25	55	20	8	17	9	14	-13/4	1,8	6	18
K0630.211308A6	K0630.212308A6	8	5/8-11	33	72	26	10	23	12	19	-115/16	2,3	15	45
K0630.211410A7	K0630.212410A7	10	3/4-10	33	79	28	12	25	15	22	-11-1/8	2,8	15	43
K0630.211412A0	K0630.212412A0	12	3/4-16	33	84	28	14	25	18	22	-11-1/8	2,8	15	51
K0630.211516A8	K0630.212516A8	16	1-8	40	104	32	18	28	24	27	-11-1/2	3,2	20	60

# Indexing Plungers

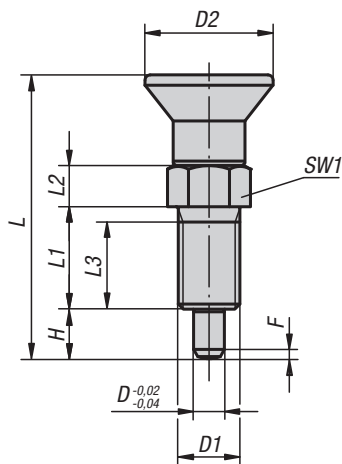
pull knob, with extended locking pin



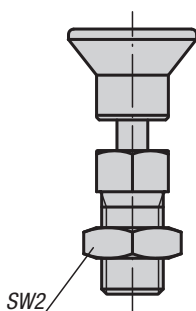
METRIC  
Parts



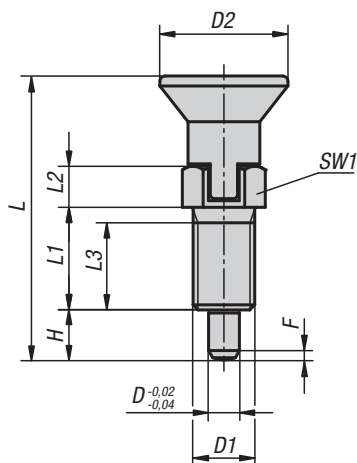
Style A  
non-lockout type  
without locknut



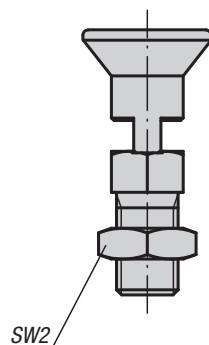
Style B  
non-lockout type  
with locknut



Style C  
with locking slot  
without locknut



Style D  
with locking slot  
with locknut



**Material:**

Steel version  
Indexing pin hardened:  
quality class 5.8.

Stainless steel version  
Indexing pin hardened:  
Threaded sleeve 1.4305 (AISI 303 equivalent).  
Indexing pin 1.4034 (AISI 420 equivalent).

Indexing pin not hardened:  
Threaded sleeve 1.4305 (AISI 303 equivalent).  
Indexing pin 1.4305 (AISI 303 equivalent).

Mushroom knob black-grey thermoplastic.

**Type:**

Steel version:  
Indexing pin hardened, ground and with black oxide finish.

Stainless steel version:  
Indexing pin hardened, ground and bright.  
Indexing pin not hardened, ground and bright.

**Part Number Example:**

K0630.21903AJ

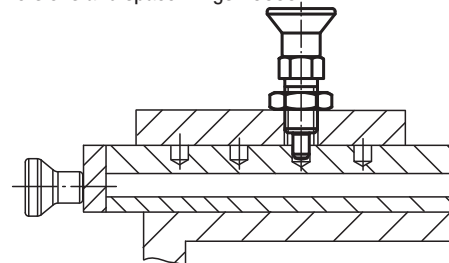
**Note:**

For the inch series, dimensions D1 and SW2 are in inches, all other dimensions are in mm.

Indexing plungers are used to prevent any change in locking position due to lateral forces. A new locking position can only be set after the pin has been manually disengaged.

**On request:**

Special versions and spacer rings K0665.



# Indexing Plungers

pull knob, with extended locking pin

## KIPP Indexing Plungers with extended locking pin, pull knob, steel, locking pin hardened, metric

Item No. Style A	Item No. Style B	D	D1	D2	L	L1	L2	L3	H	SW1	SW2	Fx30°	Spring force initial pressure F1 approx. N	Spring force final pressure F2 approx. N
K0630.21903	K0630.22903	3	M6x0,75	14	33	12	5	10	5	8	- / 10	0,8	4,5	12
K0630.21004	K0630.22004	4	M8x1	18	40,5	15	6	13	6	10	- / 13	1	6	15
K0630.21105	K0630.22105	5	M10x1	21	46,5	17	7	15	8	13	- / 17	1,3	5	16
K0630.21206	K0630.22206	6	M12x1,5	25	54,7	20	8	17	9	14	- / 19	1,8	6	18
K0630.21308	K0630.22308	8	M16x1,5	33	72	26	10	23	12	19	- / 24	2,3	15	45
K0630.21410	K0630.22410	10	M20x1,5	33	79	28	12	25	15	22	- / 30	2,8	15	43
K0630.21412	K0630.22412	12	M20x1,5	33	84	28	14	25	18	22	- / 30	2,8	15	51
K0630.21516	K0630.22516	16	M24x2	40	104	32	18	28	24	27	- / 36	3,2	20	60

## KIPP Indexing Plungers with extended locking pin, pull knob, stainless steel, locking pin hardened, metric

Item No. Style A	Item No. Style B	D	D1	D2	L	L1	L2	L3	H	SW1	SW2	Fx30°	Spring force initial pressure F1 approx. N	Spring force final pressure F2 approx. N
K0630.201903	K0630.202903	3	M6x0,75	14	33	12	5	10	5	8	- / 10	0,8	4,5	12
K0630.201004	K0630.202004	4	M8x1	18	40,5	15	6	13	6	10	- / 13	1	6	15
K0630.201105	K0630.202105	5	M10x1	21	46,5	17	7	15	8	13	- / 17	1,3	5	16
K0630.201206	K0630.202206	6	M12x1,5	25	54,7	20	8	17	9	14	- / 19	1,8	6	18
K0630.201308	K0630.202308	8	M16x1,5	33	72	26	10	23	12	19	- / 24	2,3	15	45
K0630.201410	K0630.202410	10	M20x1,5	33	79	28	12	25	15	22	- / 30	2,8	15	43
K0630.201412	K0630.202412	12	M20x1,5	33	84	28	14	25	18	22	- / 30	2,8	15	51
K0630.201516	K0630.202516	16	M24x2	40	104	32	18	28	24	27	- / 36	3,2	20	60

## KIPP Indexing Plungers with extended locking pin, pull knob, stainless steel, locking pin not hardened, metric

Item No. Style A	Item No. Style B	D	D1	D2	L	L1	L2	L3	H	SW1	SW2	Fx30°	Spring force initial pressure F1 approx. N	Spring force final pressure F2 approx. N
K0630.211903	K0630.212903	3	M6x0,75	14	33	12	5	10	5	8	- / 10	0,8	4,5	12
K0630.211004	K0630.212004	4	M8x1	18	40,5	15	6	13	6	10	- / 13	1	6	15
K0630.211105	K0630.212105	5	M10x1	21	46,5	17	7	15	8	13	- / 17	1,3	5	16
K0630.211206	K0630.212206	6	M12x1,5	25	54,7	20	8	17	9	14	- / 19	1,8	6	18
K0630.211308	K0630.212308	8	M16x1,5	33	72	26	10	23	12	19	- / 24	2,3	15	45
K0630.211410	K0630.212410	10	M20x1,5	33	79	28	12	25	15	22	- / 30	2,8	15	43
K0630.211412	K0630.212412	12	M20x1,5	33	84	28	14	25	18	22	- / 30	2,8	15	51
K0630.211516	K0630.212516	16	M24x2	40	104	32	18	28	24	27	- / 36	3,2	20	60

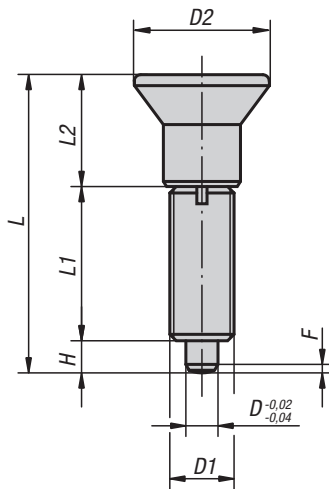
## Indexing Plungers

without collar

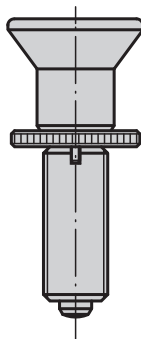
INCH  
Parts



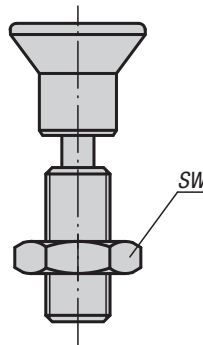
Style G  
without locknut



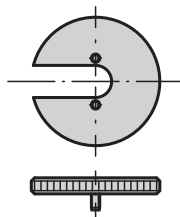
Indexing plunger  
with installation tool



Style H  
with locknut



Installation tool



**Material:**

Steel version  
Indexing pin hardened:  
quality class 5.8.

Stainless steel version  
Indexing pin hardened:  
Threaded sleeve 1.4305 (AISI 303 equivalent).  
Indexing pin 1.4034 (AISI 420 equivalent).

Indexing pin not hardened:  
Threaded sleeve 1.4305 (AISI 303 equivalent).  
Indexing pin 1.4305 (AISI 303 equivalent).

Mushroom knob black-grey thermoplastic.

**Type:**

Steel version:  
Indexing pin hardened, ground and with black oxide finish.

Stainless steel version:  
Indexing pin hardened, ground and bright.  
Indexing pin not hardened, ground and bright.

**Part Number Example:**

K0343.1903AJ

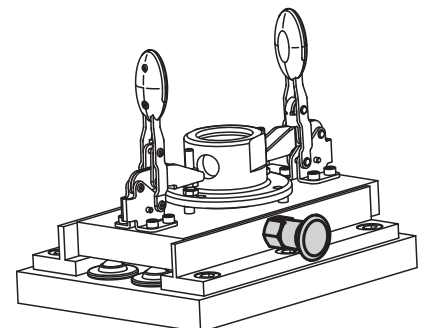
**Note:**

For the inch series, dimensions D1 and SW are in inches, all other dimensions are in mm.

Indexing plungers are used to prevent any change in locking position due to lateral forces. A new locking position can only be set after the pin has been manually disengaged. Instead of a wrench, a knurled installation tool is used to screw in these plungers. It slides beneath the mushroom knob so the carrier pins engage the slot in the plunger body.

**On request:**

Special versions.





## Indexing Plungers

without collar



## KIPP Indexing Plungers without collar, in steel, locking pin hardened, inch

Item No. Style G	Item No. Style H	D	D1	D2	L	L1	L2	H	SW	Fx30°	Spring force initial pressure F1 approx. N	Spring force final pressure F2 approx. N	Item No. installation tool
K0343.1903AJ	K0343.2903AJ	3	1/4-28	14	31,5	17	11	3,5	-17/16	0,8	4,5	10	K0344.99
K0343.1004AK	K0343.2004AK	4	5/16-24	18	38,5	21	13,5	4	-11/2	1,3	6	12	K0344.90
K0343.1105AL	K0343.2105AL	5	3/8-24	21	43,5	24	14,5	5	-19/16	1,3	5	12	K0344.91
K0343.1206A5	K0343.2206A5	6	1/2-13	25	51,7	28	17,7	6	-13/4	1,8	6	14	K0344.92
K0343.1308A6	K0343.2308A6	8	5/8-11	33	68	36	24	8	-115/16	2,3	15	35	K0344.93
K0343.1410A7	K0343.2410A7	10	3/4-10	33	74	40	24	10	-11-1/8	2,8	15	34	K0344.94
K0343.1412A0	K0343.2412A0	12	3/4-16	33	78	42	24	12	-11-1/8	2,8	15	39	K0344.94
K0343.1516A8	K0343.2516A8	16	1-8	40	96	50	30	16	-11-1/2	3,2	20	46	K0344.95

## KIPP Indexing Plungers without collar, in stainless steel, locking pin hardened, inch

Item No. Style G	Item No. Style H	D	D1	D2	L	L1	L2	H	SW	Fx30°	Spring force initial pressure F1 approx. N	Spring force final pressure F2 approx. N	Item No. installation tool
K0343.01903AJ	K0343.02903AJ	3	1/4-28	14	31,5	17	11	3,5	-17/16	0,8	4,5	10	K0344.99
K0343.01004AK	K0343.02004AK	4	5/16-24	18	38,5	21	13,5	4	-11/2	1,3	6	12	K0344.90
K0343.01105AL	K0343.02105AL	5	3/8-24	21	43,5	24	14,5	5	-19/16	1,3	5	12	K0344.91
K0343.01206A5	K0343.02206A5	6	1/2-13	25	51,7	28	17,7	6	-13/4	1,8	6	14	K0344.92
K0343.01308A6	K0343.02308A6	8	5/8-11	33	68	36	24	8	-115/16	2,3	15	35	K0344.93
K0343.01410A7	K0343.02410A7	10	3/4-10	33	74	40	24	10	-11-1/8	2,8	15	34	K0344.94
K0343.01412A0	K0343.02412A0	12	3/4-16	33	78	42	24	12	-11-1/8	2,8	15	39	K0344.94
K0343.01516A8	K0343.02516A8	16	1-8	40	96	50	30	16	-11-1/2	3,2	20	46	K0344.95

## KIPP Indexing Plungers without collar, in stainless steel, locking pin not hardened, inch

Item No. Style G	Item No. Style H	D	D1	D2	L	L1	L2	H	SW	Fx30°	Spring force initial pressure F1 approx. N	Spring force final pressure F2 approx. N	Item No. installation tool
K0343.11903AJ	K0343.12903AJ	3	1/4-28	14	31,5	17	11	3,5	-17/16	0,8	4,5	10	K0344.99
K0343.11004AK	K0343.12004AK	4	5/16-24	18	38,5	21	13,5	4	-11/2	1,3	6	12	K0344.90
K0343.11105AL	K0343.12105AL	5	3/8-24	21	43,5	24	14,5	5	-19/16	1,3	5	12	K0344.91
K0343.11206A5	K0343.12206A5	6	1/2-13	25	51,7	28	17,7	6	-13/4	1,8	6	14	K0344.92
K0343.11308A6	K0343.12308A6	8	5/8-11	33	68	36	24	8	-115/16	2,3	15	35	K0344.93
K0343.11410A7	K0343.12410A7	10	3/4-10	33	74	40	24	10	-11-1/8	2,8	15	34	K0344.94
K0343.11412A0	K0343.12412A0	12	3/4-16	33	78	42	24	12	-11-1/8	2,8	15	39	K0344.94
K0343.11516A8	K0343.12516A8	16	1-8	40	96	50	30	16	-11-1/2	3,2	20	46	K0344.95

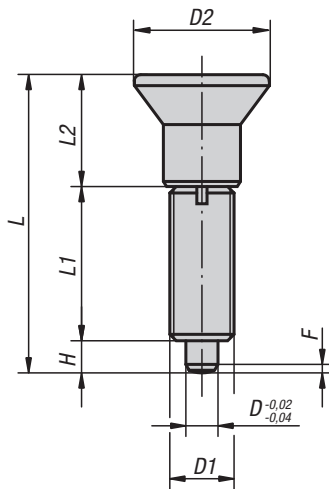
## Indexing Plungers

without collar

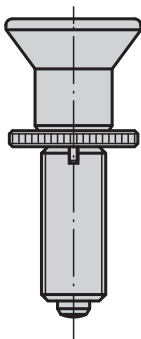
METRIC  
Parts



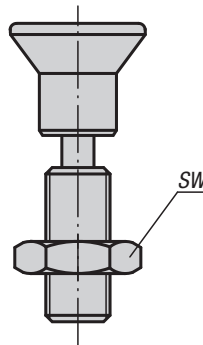
Style G  
without locknut



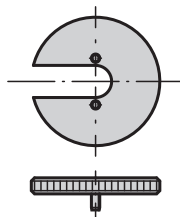
Indexing plunger  
with installation tool



Style H  
with locknut



Installation tool



**Material:**

Steel version  
Indexing pin hardened:  
quality class 5.8.

Stainless steel version  
Indexing pin hardened:  
Threaded sleeve 1.4305 (AISI 303 equivalent).  
Indexing pin 1.4034 (AISI 420 equivalent).

Indexing pin not hardened:  
Threaded sleeve 1.4305 (AISI 303 equivalent).  
Indexing pin 1.4305 (AISI 303 equivalent).

Mushroom knob black-grey thermoplastic.

**Type:**

Steel version:  
Indexing pin hardened, ground and with black oxide finish.

Stainless steel version:  
Indexing pin hardened, ground and bright.  
Indexing pin not hardened, ground and bright.

**Part Number Example:**

K0343.1903AJ

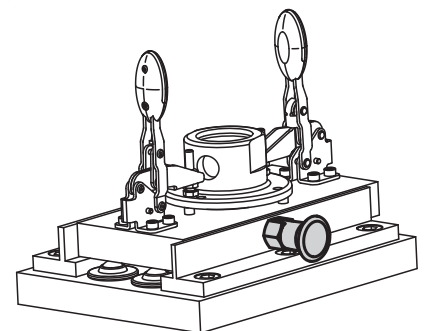
**Note:**

For the inch series, dimensions D1 and SW are in inches, all other dimensions are in mm.

Indexing plungers are used to prevent any change in locking position due to lateral forces. A new locking position can only be set after the pin has been manually disengaged. Instead of a wrench, a knurled installation tool is used to screw in these plungers. It slides beneath the mushroom knob so the carrier pins engage the slot in the plunger body.

**On request:**

Special versions.



## Indexing Plungers

without collar



## KIPP Indexing Plungers without collar, in steel, locking pin hardened, metric

Item No. Style G	Item No. Style H	D	D1	D2	L	L1	L2	H	SW	Fx30°	Spring force initial pressure F1 approx. N	Spring force final pressure F2 approx. N	Item No. installation tool
K0343.1903	K0343.2903	3	M6x0,75	14	31,5	17	11	3,5	- / 10	0,8	4,5	10	K0344.99
K0343.1004	K0343.2004	4	M8x1	18	38,5	21	13,5	4	- / 13	1,3	6	12	K0344.90
K0343.1105	K0343.2105	5	M10x1	21	43,5	24	14,5	5	- / 17	1,3	5	12	K0344.91
K0343.1206	K0343.2206	6	M12x1,5	25	51,7	28	17,7	6	- / 19	1,8	6	14	K0344.92
K0343.1308	K0343.2308	8	M16x1,5	33	68	36	24	8	- / 24	2,3	15	35	K0344.93
K0343.1410	K0343.2410	10	M20x1,5	33	74	40	24	10	- / 30	2,8	15	34	K0344.94
K0343.1412	K0343.2412	12	M20x1,5	33	78	42	24	12	- / 30	2,8	15	39	K0344.94
K0343.1516	K0343.2516	16	M24x2	40	96	50	30	16	- / 36	3,2	20	46	K0344.95

## KIPP Indexing Plungers without collar, in stainless steel, locking pin hardened, metric

Item No. Style G	Item No. Style H	D	D1	D2	L	L1	L2	H	SW	Fx30°	Spring force initial pressure F1 approx. N	Spring force final pressure F2 approx. N	Item No. installation tool
K0343.01903	K0343.02903	3	M6x0,75	14	31,5	17	11	3,5	- / 10	0,8	4,5	10	K0344.99
K0343.01004	K0343.02004	4	M8x1	18	38,5	21	13,5	4	- / 13	1,3	6	12	K0344.90
K0343.01105	K0343.02105	5	M10x1	21	43,5	24	14,5	5	- / 17	1,3	5	12	K0344.91
K0343.01206	K0343.02206	6	M12x1,5	25	51,7	28	17,7	6	- / 19	1,8	6	14	K0344.92
K0343.01308	K0343.02308	8	M16x1,5	33	68	36	24	8	- / 24	2,3	15	35	K0344.93
K0343.01410	K0343.02410	10	M20x1,5	33	74	40	24	10	- / 30	2,8	15	34	K0344.94
K0343.01412	K0343.02412	12	M20x1,5	33	78	42	24	12	- / 30	2,8	15	39	K0344.94
K0343.01516	K0343.02516	16	M24x2	40	96	50	30	16	- / 36	3,2	20	46	K0344.95

## KIPP Indexing Plungers without collar, in stainless steel, locking pin not hardened, metric

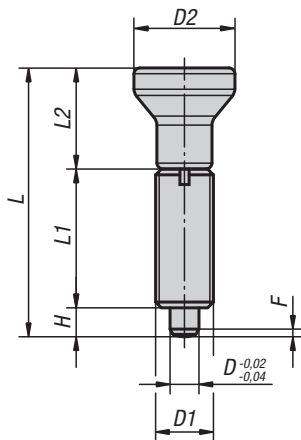
Item No. Style G	Item No. Style H	D	D1	D2	L	L1	L2	H	SW	Fx30°	Spring force initial pressure F1 approx. N	Spring force final pressure F2 approx. N	Item No. installation tool
K0343.11903	K0343.12903	3	M6x0,75	14	31,5	17	11	3,5	- / 10	0,8	4,5	10	K0344.99
K0343.11004	K0343.12004	4	M8x1	18	38,5	21	13,5	4	- / 13	1,3	6	12	K0344.90
K0343.11105	K0343.12105	5	M10x1	21	43,5	24	14,5	5	- / 17	1,3	5	12	K0344.91
K0343.11206	K0343.12206	6	M12x1,5	25	51,7	28	17,7	6	- / 19	1,8	6	14	K0344.92
K0343.11308	K0343.12308	8	M16x1,5	33	68	36	24	8	- / 24	2,3	15	35	K0344.93
K0343.11410	K0343.12410	10	M20x1,5	33	74	40	24	10	- / 30	2,8	15	34	K0344.94
K0343.11412	K0343.12412	12	M20x1,5	33	78	42	24	12	- / 30	2,8	15	39	K0344.94
K0343.11516	K0343.12516	16	M24x2	40	96	50	30	16	- / 36	3,2	20	46	K0344.95

## Indexing Plungers

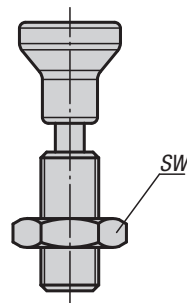
without collar, stainless steel



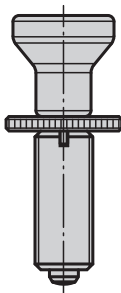
Style G  
without locknut



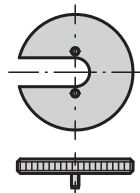
Style H  
with locknut



Indexing plunger  
with installataion tool



Installation tool



**Material:**

Indexing pin hardened:  
Threaded sleeve 1.4305 (AISI 303 equivalent).  
Indexing pin 1.4034 (AISI 420 equivalent).

Indexing pin not hardened:  
Threaded sleeve 1.4305 (AISI 303 equivalent).  
Indexing pin 1.4305 (AISI 303 equivalent).

Mushroom knob 1.4305 (AISI 303 equivalent),  
electropolished.

**Type:**

Bright.  
Indexing pin ground.

**Part Number Example:**

K0634.001903AJ

**Note:**

For the inch series, dimensions D1 and SW are in inches, all other dimensions are in mm.

Indexing Plungers are used to prevent any change in locking position due to lateral forces. A new locking position can only be set after the pin has been manually disengaged.

Instead of a wrench, a knurled installation tool is used to screw in these plungers. It slides beneath the mushroom knob so the carrier pins engage the slot in the plunger body.

**On request:**

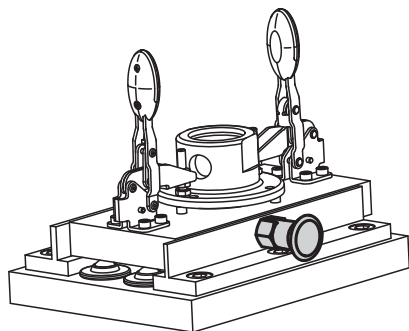
Special versions.

**KIPP Indexing Plungers, without collar, in stainless steel, locking pin hardened, inch**

Item No. Style G	Item No. Style H	D	D1	D2	L	L1	L2	H	SW	Fx30°	Spring force initial pressure F1 approx. N	Spring force final pressure F2 approx. N	Item No. installation tool
K0634.001903AJ	K0634.002903AJ	3	1/4-28	14	34,5	17	14	3,5	- 17/16	0,8	4,5	10	K0344.99
K0634.001004AK	K0634.002004AK	4	5/16-24	18	43	21	18	4	- 1 1/2	1	6	12	K0344.90
K0634.001105AL	K0634.002105AL	5	3/8-24	21	50	24	21	5	- 19/16	1,3	5	12	K0344.91
K0634.001206A5	K0634.002206A5	6	1/2-13	25	59	28	25	6	- 1 3/4	1,8	6	14	K0344.92
K0634.001308A6	K0634.002308A6	8	5/8-11	33	77	36	33	8	- 1 15/16	2,3	15	35	K0344.93
K0634.001410A7	K0634.002410A7	10	3/4-10	33	83	40	33	10	- 1 1-1/8	2,6	15	34	K0344.94
K0634.001412A0	K0634.002412A0	12	3/4-16	33	87	42	33	12	- 1 1-1/8	2,8	15	39	K0344.94
K0634.001516A8	K0634.002516A8	16	1-8	40	106	50	40	16	- 1 1-1/2	3,2	20	46	K0344.95

# Indexing Plungers

without collar, stainless steel



## KIPP Indexing Plungers, without collar, in stainless steel, locking pin not hardened, inch

Item No. Style G	Item No. Style H	D	D1	D2	L	L1	L2	H	SW	Fx30°	Spring force initial pressure F1 approx. N	Spring force final pressure F2 approx. N	Item No. installation tool
K0634.111903AJ	K0634.112903AJ	3	1/4-28	14	34,5	17	14	3,5	-17/16	0,8	4,5	10	K0344.99
K0634.111004AK	K0634.112004AK	4	5/16-24	18	43	21	18	4	-11/2	1	6	12	K0344.90
K0634.111105AL	K0634.112105AL	5	3/8-24	21	50	24	21	5	-19/16	1,3	5	12	K0344.91
K0634.111206A5	K0634.112206A5	6	1/2-13	25	59	28	25	6	-13/4	1,8	6	14	K0344.92
K0634.111308A6	K0634.112308A6	8	5/8-11	33	77	36	33	8	-115/16	2,3	15	35	K0344.93
K0634.111410A7	K0634.112410A7	10	3/4-10	33	83	40	33	10	-11-1/8	2,6	15	34	K0344.94
K0634.111412A0	K0634.112412A0	12	3/4-16	33	87	42	33	12	-11-1/8	2,8	15	39	K0344.94
K0634.111516A8	K0634.112516A8	16	1-8	40	106	50	40	16	-11-1/2	3,2	20	46	K0344.95

## KIPP Indexing Plungers, without collar, in stainless steel, locking pin hardened, metric

Item No. Style G	Item No. Style H	D	D1	D2	L	L1	L2	H	SW	Fx30°	Spring force initial pressure F1 approx. N	Spring force final pressure F2 approx. N	Item No. installation tool
K0634.001903	K0634.002903	3	M6x0,75	14	34,5	17	14	3,5	-/10	0,8	4,5	10	K0344.99
K0634.001004	K0634.002004	4	M8x1	18	43	21	18	4	-/13	1	6	12	K0344.90
K0634.001105	K0634.002105	5	M10x1	21	50	24	21	5	-/17	1,3	5	12	K0344.91
K0634.001206	K0634.002206	6	M12x1,5	25	59	28	25	6	-/19	1,8	6	14	K0344.92
K0634.001308	K0634.002308	8	M16x1,5	33	77	36	33	8	-/24	2,3	15	35	K0344.93
K0634.001410	K0634.002410	10	M20x1,5	33	83	40	33	10	-/30	2,8	15	34	K0344.94
K0634.001412	K0634.002412	12	M20x1,5	33	87	42	33	12	-/30	2,8	15	39	K0344.94
K0634.001516	K0634.002516	16	M24x2	40	106	50	40	16	-/36	3,2	20	46	K0344.95

## KIPP Indexing Plungers, without collar, in stainless steel, locking pin not hardened, metric

Item No. Style G	Item No. Style H	D	D1	D2	L	L1	L2	H	SW	Fx30°	Spring force initial pressure F1 approx. N	Spring force final pressure F2 approx. N	Item No. installation tool
K0634.111903	K0634.112903	3	M6x0,75	14	34,5	17	14	3,5	-/10	0,8	4,5	10	K0344.99
K0634.111004	K0634.112004	4	M8x1	18	43	21	18	4	-/13	1	6	12	K0344.90
K0634.111105	K0634.112105	5	M10x1	21	50	24	21	5	-/17	1,3	5	12	K0344.91
K0634.111206	K0634.112206	6	M12x1,5	25	59	28	25	6	-/19	1,8	6	14	K0344.92
K0634.111308	K0634.112308	8	M16x1,5	33	77	36	33	8	-/24	2,3	15	35	K0344.93
K0634.111410	K0634.112410	10	M20x1,5	33	83	40	33	10	-/30	2,8	15	34	K0344.94
K0634.111412	K0634.112412	12	M20x1,5	33	87	42	33	12	-/30	2,8	15	39	K0344.94
K0634.111516	K0634.112516	16	M24x2	40	106	50	40	16	-/36	3,2	20	46	K0344.95

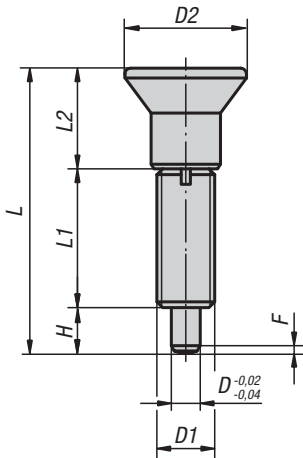
## Indexing Plungers

without collar with extended locking pin

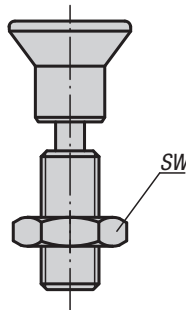


INCH  
Parts

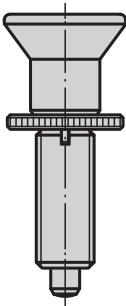
Style G  
without locknut



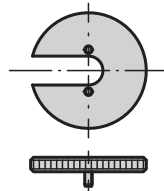
Style H  
with locknut



Indexing plunger  
with installation tool



Installation tool



**Material:**

Steel version  
Indexing pin hardened:  
quality class 5.8.

Stainless steel version  
Indexing pin hardened:  
Threaded sleeve 1.4305 (AISI 303 equivalent).  
Indexing pin 1.4034 (AISI 420 equivalent).

Indexing pin not hardened:  
Threaded sleeve 1.4305 (AISI 303 equivalent).  
Indexing pin 1.4305 (AISI 303 equivalent).

Mushroom knob black-grey thermoplastic.

**Type:**

Steel version:  
Indexing pin hardened, ground and with black oxide finish.

Stainless steel version:  
Indexing pin hardened, ground and bright.  
Indexing pin not hardened, ground and bright.

**Part Number Example:**

K0633.21903AJ

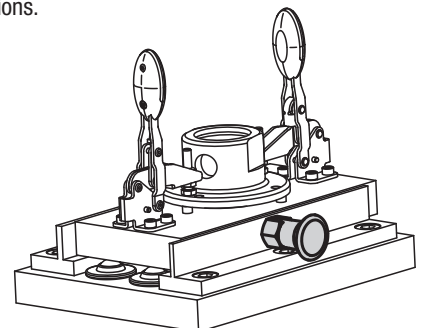
**Note:**

For the inch series, dimensions D1 and SW are in inches, all other dimensions are in mm.

Indexing plungers are used to prevent any change in locking position due to lateral forces. A new locking position can only be set after the pin has been manually disengaged. Instead of a wrench, a knurled installation tool is used to screw in these plungers. It slides beneath the mushroom knob so the carrier pins engage the slot in the plunger body.

**On request:**

Special versions.



# Indexing Plungers

without collar with extended locking pin

## KIPP Indexing Plungers without collar and extended locking pin, in steel, locking pin hardened, inch

Item No. Style G	Item No. Style H	D	D1	D2	L	L1	L2	H	SW	Fx30°	Spring force initial pressure F1 approx. N	Spring force final pressure F2 approx. N	Item No. installation tool
K0633.21903AJ	K0633.22903AJ	3	1/4-28	14	33	17	11	5	-17/16	0,8	4,5	12	K0344.99
K0633.21004AK	K0633.22004AK	4	5/16-24	18	40,5	21	13,5	6	-11/2	1	6	15	K0344.90
K0633.21105AL	K0633.22105AL	5	3/8-24	21	46,5	24	14,5	8	-19/16	1,3	5	16	K0344.91
K0633.21206A5	K0633.22206A5	6	1/2-13	25	54,7	28	17,7	9	-13/4	1,8	6	18	K0344.92
K0633.21308A6	K0633.22308A6	8	5/8-11	33	72	36	24	12	-115/16	2,3	15	45	K0344.93
K0633.21410A7	K0633.22410A7	10	3/4-10	33	79	40	24	15	-11-1/8	2,8	15	43	K0344.94
K0633.21412A0	K0633.22412A0	12	3/4-16	33	84	42	24	18	-11-1/8	2,8	15	51	K0344.94
K0633.21516A8	K0633.22516A8	16	1-8	40	104	50	30	24	-11-1/2	3,2	20	60	K0344.95

## KIPP Indexing Plungers without collar and extended locking pin, in stainless steel, locking pin hardened, inch

Item No. Style G	Item No. Style H	D	D1	D2	L	L1	L2	H	SW	Fx30°	Spring force initial pressure F1 approx. N	Spring force final pressure F2 approx. N	Item No. installation tool
K0633.201903AJ	K0633.202903AJ	3	1/4-28	14	33	17	11	5	-17/16	0,8	4,5	12	K0344.99
K0633.201004AK	K0633.202004AK	4	5/16-24	18	40,5	21	13,5	6	-11/2	1	6	15	K0344.90
K0633.201105AL	K0633.202105AL	5	3/8-24	21	46,5	24	14,5	8	-19/16	1,3	5	16	K0344.91
K0633.201206A5	K0633.202206A5	6	1/2-13	25	54,7	28	17,7	9	-13/4	1,8	6	18	K0344.92
K0633.201308A6	K0633.202308A6	8	5/8-11	33	72	36	24	12	-115/16	2,3	15	45	K0344.93
K0633.201410A7	K0633.202410A7	10	3/4-10	33	79	40	24	15	-11-1/8	2,8	15	43	K0344.94
K0633.201412A0	K0633.202412A0	12	3/4-16	33	84	42	24	18	-11-1/8	2,8	15	51	K0344.94
K0633.201516A8	K0633.202516A8	16	1-8	40	104	50	30	24	-11-1/2	3,2	20	60	K0344.95

## KIPP Indexing Plungers without collar and extended locking pin, in stainless steel, locking pin not hardened, inch

Item No. Style G	Item No. Style H	D	D1	D2	L	L1	L2	H	SW	Fx30°	Spring force initial pressure F1 approx. N	Spring force final pressure F2 approx. N	Item No. installation tool
K0633.211903AJ	K0633.212903AJ	3	1/4-28	14	33	17	11	5	-17/16	0,8	4,5	12	K0344.99
K0633.211004AK	K0633.212004AK	4	5/16-24	18	40,5	21	13,5	6	-11/2	1	6	15	K0344.90
K0633.211105AL	K0633.212105AL	5	3/8-24	21	46,5	24	14,5	8	-19/16	1,3	5	16	K0344.91
K0633.211206A5	K0633.212206A5	6	1/2-13	25	54,7	28	17,7	9	-13/4	1,8	6	18	K0344.92
K0633.211308A6	K0633.212308A6	8	5/8-11	33	72	36	24	12	-115/16	2,3	15	45	K0344.93
K0633.211410A7	K0633.212410A7	10	3/4-10	33	79	40	24	15	-11-1/8	2,8	15	43	K0344.94
K0633.211412A0	K0633.212412A0	12	3/4-16	33	84	42	24	18	-11-1/8	2,8	15	51	K0344.94
K0633.211516A8	K0633.212516A8	16	1-8	40	104	50	30	24	-11-1/2	3,2	20	60	K0344.95

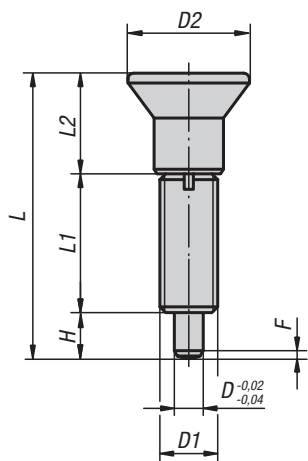
## Indexing Plungers

without collar with extended locking pin

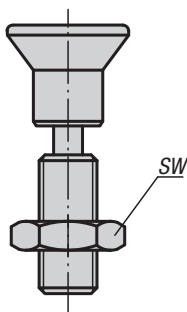
METRIC  
Parts



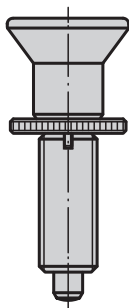
Style G  
without locknut



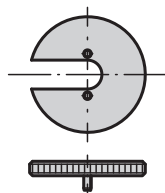
Style H  
with locknut



Indexing plunger  
with installation tool



Installation tool



**Material:**

Steel version  
Indexing pin hardened:  
quality class 5.8.

Stainless steel version  
Indexing pin hardened:  
Threaded sleeve 1.4305 (AISI 303 equivalent).  
Indexing pin 1.4034 (AISI 420 equivalent).

Indexing pin not hardened:  
Threaded sleeve 1.4305 (AISI 303 equivalent).  
Indexing pin 1.4305 (AISI 303 equivalent).

Mushroom knob black-grey thermoplastic.

**Type:**

Steel version:  
Indexing pin hardened, ground and with black oxide finish.

Stainless steel version:  
Indexing pin hardened, ground and bright.  
Indexing pin not hardened, ground and bright.

**Part Number Example:**

K0633.21903AJ

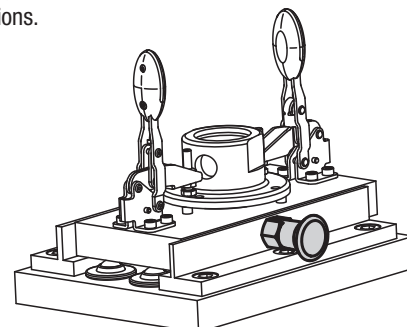
**Note:**

For the inch series, dimensions D1 and SW are in inches, all other dimensions are in mm.

Indexing plungers are used to prevent any change in locking position due to lateral forces. A new locking position can only be set after the pin has been manually disengaged. Instead of a wrench, a knurled installation tool is used to screw in these plungers. It slides beneath the mushroom knob so the carrier pins engage the slot in the plunger body.

**On request:**

Special versions.





# Indexing Plungers

without collar with extended locking pin

## KIPP Indexing Plungers without collar and extended locking pin, in steel, locking pin hardened, metric

Item No. Style G	Item No. Style H	D	D1	D2	L	L1	L2	H	SW	Fx30°	Spring force initial pressure F1 approx. N	Spring force final pressure F2 approx. N	Item No. installation tool
K0633.21903	K0633.22903	3	M6x0,75	14	33	17	11	5	- / 10	0,8	4,5	12	K0344.99
K0633.21004	K0633.22004	4	M8x1	18	40,5	21	13,5	6	- / 13	1	6	15	K0344.90
K0633.21105	K0633.22105	5	M10x1	21	46,5	24	14,5	8	- / 17	1,3	5	16	K0344.91
K0633.21206	K0633.22206	6	M12x1,5	25	54,7	28	17,7	9	- / 19	1,8	6	18	K0344.92
K0633.21308	K0633.22308	8	M16x1,5	33	72	36	24	12	- / 24	2,3	15	45	K0344.93
K0633.21410	K0633.22410	10	M20x1,5	33	79	40	24	15	- / 30	2,8	15	43	K0344.94
K0633.21412	K0633.22412	12	M20x1,5	33	84	42	24	18	- / 30	2,8	15	51	K0344.94
K0633.21516	K0633.22516	16	M24x2	40	104	50	30	24	- / 36	3,2	20	60	K0344.95

## KIPP Indexing Plungers without collar and extended locking pin, in stainless steel, locking pin hardened, metric

Item No. Style G	Item No. Style H	D	D1	D2	L	L1	L2	H	SW	Fx30°	Spring force initial pressure F1 approx. N	Spring force final pressure F2 approx. N	Item No. installation tool
K0633.201903	K0633.202903	3	M6x0,75	14	33	17	11	5	- / 10	0,8	4,5	12	K0344.99
K0633.201004	K0633.202004	4	M8x1	18	40,5	21	13,5	6	- / 13	1	6	15	K0344.90
K0633.201105	K0633.202105	5	M10x1	21	46,5	24	14,5	8	- / 17	1,3	5	16	K0344.91
K0633.201206	K0633.202206	6	M12x1,5	25	54,7	28	17,7	9	- / 19	1,8	6	18	K0344.92
K0633.201308	K0633.202308	8	M16x1,5	33	72	36	24	12	- / 24	2,3	15	45	K0344.93
K0633.201410	K0633.202410	10	M20x1,5	33	79	40	24	15	- / 30	2,8	15	43	K0344.94
K0633.201412	K0633.202412	12	M20x1,5	33	84	42	24	18	- / 30	2,8	15	51	K0344.94
K0633.201516	K0633.202516	16	M24x2	40	104	50	30	24	- / 36	3,2	20	60	K0344.95

## KIPP Indexing Plungers without collar and extended locking pin, in stainless steel, locking pin not hardened, metric

Item No. Style G	Item No. Style H	D	D1	D2	L	L1	L2	H	SW	Fx30°	Spring force initial pressure F1 approx. N	Spring force final pressure F2 approx. N	Item No. installation tool
K0633.211903	K0633.212903	3	M6x0,75	14	33	17	11	5	- / 10	0,8	4,5	12	K0344.99
K0633.211004	K0633.212004	4	M8x1	18	40,5	21	13,5	6	- / 13	1	6	15	K0344.90
K0633.211105	K0633.212105	5	M10x1	21	46,5	24	14,5	8	- / 17	1,3	5	16	K0344.91
K0633.211206	K0633.212206	6	M12x1,5	25	54,7	28	17,7	9	- / 19	1,8	6	18	K0344.92
K0633.211308	K0633.212308	8	M16x1,5	33	72	36	24	12	- / 24	2,3	15	45	K0344.93
K0633.211410	K0633.212410	10	M20x1,5	33	79	40	24	15	- / 30	2,8	15	43	K0344.94
K0633.211412	K0633.212412	12	M20x1,5	33	84	42	24	18	- / 30	2,8	15	51	K0344.94
K0633.211516	K0633.212516	16	M24x2	40	104	50	30	24	- / 36	3,2	20	60	K0344.95

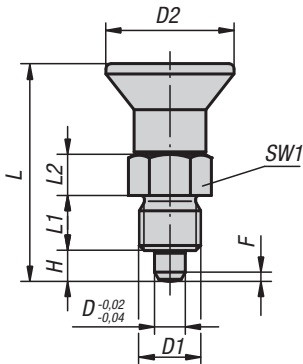
## Indexing Plungers

pull knob, short version

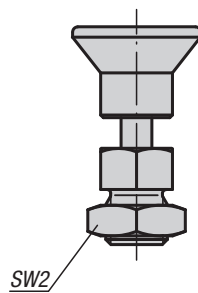
INCH Parts    METRIC Parts



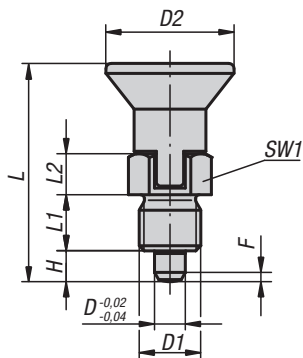
Style A  
non-lockout type  
without locknut



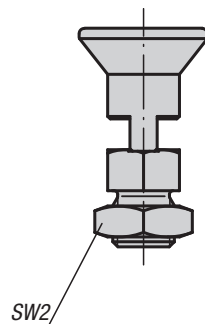
Style B  
non-lockout type  
with locknut



Style C  
lockout type  
without locknut



Style D  
lockout type  
with locknut



**Material:**

Steel version  
Indexing pin hardened:  
quality class 5.8

Stainless steel version  
Indexing pin not hardened:  
Threaded sleeve 1.4305 (AISI 303 equivalent).  
Indexing pin 1.4305 (AISI 303 equivalent).

Mushroom knob black-gray thermoplastic.

**Type:**

Steel version:  
Indexing pin hardened, ground and black oxide finish.

Stainless steel version:  
Indexing pin not hardened, ground, bright.

**Part Number Example:**

K0631.5004AK

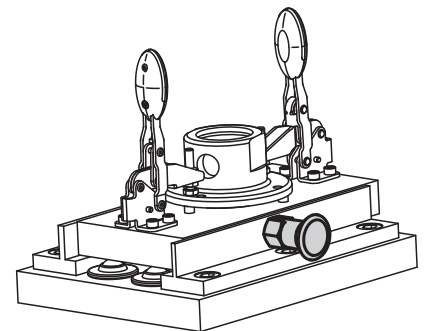
**Note:**

For the inch series, dimensions D1 and SW2 are in inches, all other dimensions are in mm.

Indexing plungers are used to prevent any change in position due to lateral forces. A new locking position can only be set after the pin has been manually disengaged. Style C or D is recommended for applications in which the pin is disengaged over extended periods and should be prevented from springing back.

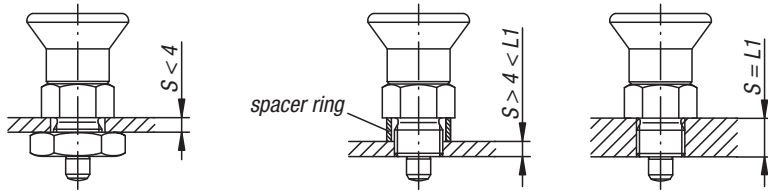
**On request:**

Special versions and spacer rings K0665.



## Indexing Plungers

pull knob, short version



### KIPP Indexing Plungers short version, pull knob, steel, locking pin hardened, inch

Item No. Style A	Item No. Style B	Item No. Style C	Item No. Style D	D	D1	D2	L	L1	L2	H	SW1	SW2	Fx30°	Spring force initial pressure F1 approx. N	Spring force final pressure F2 approx. N
K0631.5004AK	K0631.6004AK	K0631.7004AK	K0631.8004AK	4	5/16-24	18	29,5	6	6	4	10	-11/2   -11/2	1	6	12
K0631.5105AL	K0631.6105AL	K0631.7105AL	K0631.8105AL	5	3/8-24	21	34,5	8	7	5	13	-19/16   -19/16	1,3	5	12
K0631.5206A5	K0631.6206A5	K0631.7206A5	K0631.8206A5	6	1/2-13	25	41,7	10	8	6	14	-13/4   -13/4	1,8	6	14
K0631.5308A6	K0631.6308A6	K0631.7308A6	K0631.8308A6	8	5/8-11	33	54	12	10	8	19	-15/16   -15/16	2,3	14	28
K0631.5410A7	K0631.6410A7	K0631.7410A7	K0631.8410A7	10	3/4-10	33	61	15	12	10	22	-11-1/8   -11-1/8	2,8	15	32

### KIPP Indexing Plungers, short version, pull knob, stainless steel, locking pin not hardened, inch

Item No. Style A	Item No. Style B	Item No. Style C	Item No. Style D	D	D1	D2	L	L1	L2	H	SW1	SW2	Fx30°	Spring force initial pressure F1 approx. N	Spring force final pressure F2 approx. N
K0631.15004AK	K0631.16004AK	K0631.17004AK	K0631.18004AK	4	5/16-24	18	29,5	6	6	4	10	-11/2   -11/2	1	6	12
K0631.15105AL	K0631.16105AL	K0631.17105AL	K0631.18105AL	5	3/8-24	21	34,5	8	7	5	13	-19/16   -19/16	1,3	5	12
K0631.15206A5	K0631.16206A5	K0631.17206A5	K0631.18206A5	6	1/2-13	25	41,7	10	8	6	14	-13/4   -13/4	1,8	6	14
K0631.15308A6	K0631.16308A6	K0631.17308A6	K0631.18308A6	8	5/8-11	33	54	12	10	8	19	-15/16   -15/16	2,3	14	28
K0631.15410A7	K0631.16410A7	K0631.17410A7	K0631.18410A7	10	3/4-10	33	61	15	12	10	22	-11-1/8   -11-1/8	2,8	15	32

### KIPP Indexing Plungers short version, pull knob, steel, locking pin hardened, metric

Item No. Style A	Item No. Style B	Item No. Style C	Item No. Style D	D	D1	D2	L	L1	L2	H	SW1	SW2	Fx30°	Spring force initial pressure F1 approx. N	Spring force final pressure F2 approx. N
K0631.5903	K0631.6903	K0631.7903	K0631.8903	3	M6x0,75	14	25,5	6	5	3,5	8	-10/-10	0,8	4	10
K0631.5004	K0631.6004	K0631.7004	K0631.8004	4	M8x1	18	29,5	6	6	4	10	-13/-13	1	4	12
K0631.5105	K0631.6105	K0631.7105	K0631.8105	5	M10x1	21	34,5	8	7	5	13	-17/-17	1,3	5	12
K0631.5206	K0631.6206	K0631.7206	K0631.8206	6	M12x1,5	25	41,7	10	8	6	14	-19/-19	1,8	6	14
K0631.5308	K0631.6308	K0631.7308	K0631.8308	8	M16x1,5	33	54	12	10	8	19	-24/-24	2,3	14	28
K0631.5410	K0631.6410	K0631.7410	K0631.8410	10	M20x1,5	33	61	15	12	10	22	-30/-30	2,8	15	32

### KIPP Indexing Plungers, short version, pull knob, stainless steel, locking pin not hardened, metric

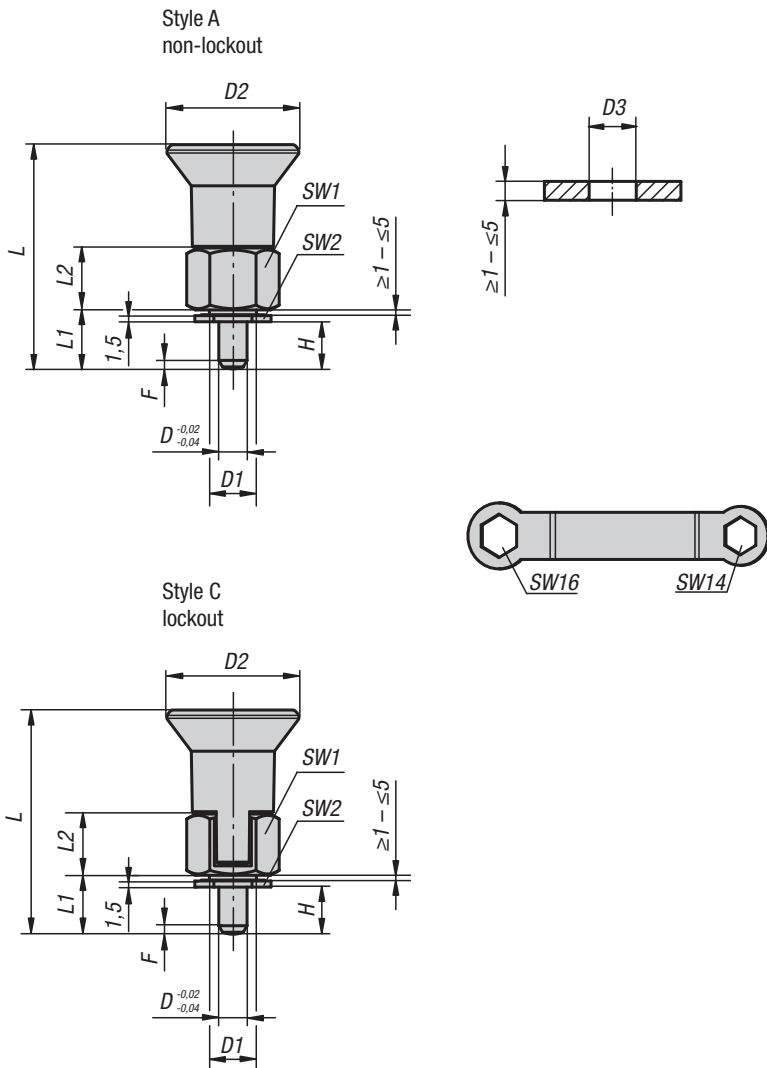
Item No. Style A	Item No. Style B	Item No. Style C	Item No. Style D	D	D1	D2	L	L1	L2	H	SW1	SW2	Fx30°	Spring force initial pressure F1 approx. N	Spring force final pressure F2 approx. N
K0631.15903	K0631.16903	K0631.17903	K0631.18903	3	M6x0,75	14	25,5	6	5	3,5	8	-10/-10	0,8	4	10
K0631.15004	K0631.16004	K0631.17004	K0631.18004	4	M8x1	18	29,5	6	6	4	10	-13/-13	1	4	12
K0631.15105	K0631.16105	K0631.17105	K0631.18105	5	M10x1	21	34,5	8	7	5	13	-17/-17	1,3	5	12
K0631.15206	K0631.16206	K0631.17206	K0631.18206	6	M12x1,5	25	41,7	10	8	6	14	-19/-19	1,8	6	14
K0631.15308	K0631.16308	K0631.17308	K0631.18308	8	M16x1,5	33	54	12	10	8	19	-24/-24	2,3	14	28
K0631.15410	K0631.16410	K0631.17410	K0631.18410	10	M20x1,5	33	61	15	12	10	22	-30/-30	2,8	15	32

## Indexing Plungers

for thin-walled parts



METRIC  
Parts



**Material:**

Steel version  
Indexing pin hardened:  
quality class 5.8

Stainless steel version  
Indexing pin not hardened:  
Threaded sleeve 1.4305 (AISI 303 equivalent).  
Indexing pin 1.4305 (AISI 303 equivalent).

Mushroom knob black-gray thermoplastic.

**Type:**

Steel version:  
Indexing pin hardened, ground and black oxide finish.

Stainless steel version:  
Indexing pin not hardened, ground, bright.

**Part Number Example:**

K0735.31105 (indexing plunger)  
K0631.91416 (double-ended ring spanner)

**Note:**

These Indexing Plungers have been specially designed for assembly in thin-walled parts.

Indexing plungers are used where any change in locking position due to lateral forces should be prevented. A new locking position can be set only after the pin has been manually disengaged.

Style C is recommended for applications where the locking pin should remain disengaged for an extended period and be prevented from springing back.

**Accessories:**

A double-ended ring spanner can be supplied as an accessory to tighten the nut.

**KIPP Indexing Plungers for thin-walled parts, steel, indexing pin hardened, metric**

Item No.	Style	D	D1	D2	D3	L	L1	L2	H	SW1	SW2	Fx30°	Spring force initial pressure F1 approx. N	Spring force final pressure F2 approx. N	Article number double-ended ring spanner
K0735.31105	A	5	M10x1	28	10	46,5	11,5	13	5-9	17	14	1,3	6	15	K0631.91416
K0735.31206	A	6	M10x1	28	10	47,5	12,5	13	6-10	17	14	1,8	7	19	K0631.91416
K0735.33105	C	5	M10x1	28	10	46,5	11,5	13	5-9	17	14	1,3	6	15	K0631.91416
K0735.33206	C	6	M10x1	28	10	47,5	12,5	13	6-10	17	14	1,8	7	19	K0631.91416

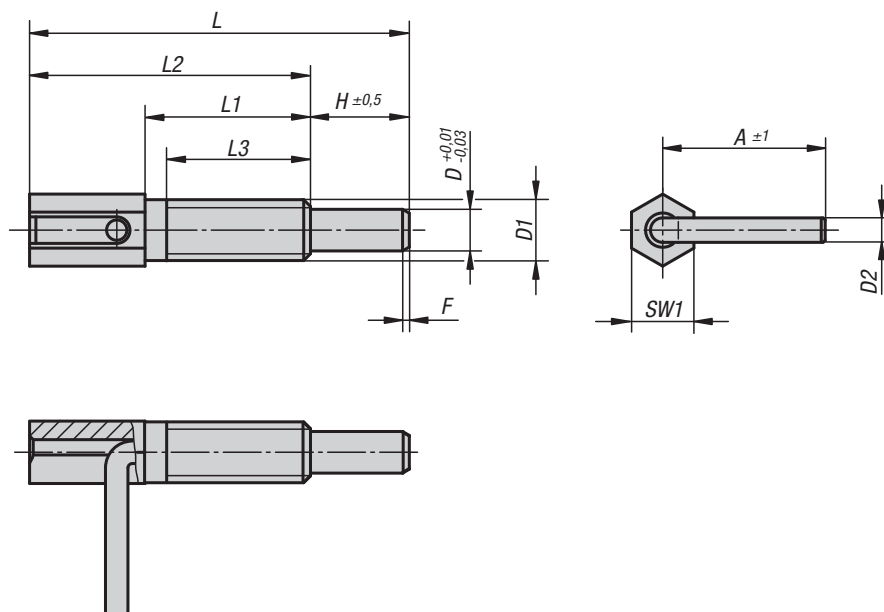
**KIPP Indexing Plungers for thin-walled parts, stainless steel, indexing pin not hardened, metric**

Item No.	Style	D	D1	D2	D3	L	L1	L2	H	SW1	SW2	Fx30°	Spring force initial pressure F1 approx. N	Spring force final pressure F2 approx. N	Article number double-ended ring spanner
K0735.311105	A	5	M10x1	28	10	46,5	11,5	13	5-9	17	14	1,3	6	15	K0631.91416
K0735.311206	A	6	M10x1	28	10	47,5	12,5	13	6-10	17	14	1,8	7	19	K0631.91416
K0735.313105	C	5	M10x1	28	10	46,5	11,5	13	5-9	17	14	1,3	6	15	K0631.91416
K0735.313206	C	6	M10x1	28	10	47,5	12,5	13	6-10	17	14	1,8	7	19	K0631.91416

## Indexing Plungers



INCH Parts    METRIC Parts



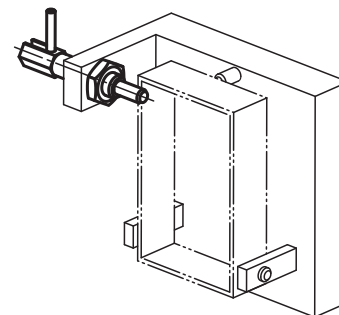
**Material:**  
Steel quality class 5.8

**Type:**  
Trivalent blue passivated.

**Part Number Example:**  
K0340.11CWA2

**Note:**  
For the inch series, dimensions D1 and SW1 are in inches, all other dimensions are in mm.  
Indexing plungers are used to prevent any change in locking position due to lateral forces. A new locking position can only be set after the pin has been manually disengaged.

**On request:**  
Special versions.



### KIPP Indexing Plungers, inch

Item No.	A	D	D1	D2	H	L	L1	L2	L3	SW1	Fx30°	Spring force initial pressure F1 approx. N	Spring force final pressure F2 approx. N	Max. tightening torque Nm
K0340.11CWA2	16	4	1/4-20	2,3	9,5	41,5	20	32	16	1/4	0,7	3	10	1,6
K0340.12CMA4	23,5	6,35	3/8-16	3,5	14,3	65,1	33,3	50,8	27	3/8	1,1	4	16	10
K0340.13CNA5	31	7,93	1/2-13	4,7	19	73	31,8	54	28,6	1/2	1,3	4	22	13
K0340.14COA6	33	9,53	5/8-11	4,7	25,4	102,9	50,5	77,5	44,5	5/8	1,6	4	23	42

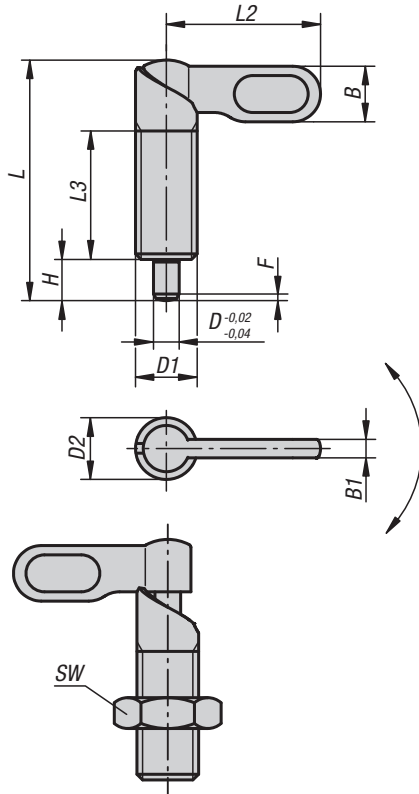
### KIPP Indexing Plungers, metric

Item No.	A	D	D1	D2	H	L	L1	L2	L3	SW1	Fx30°	Spring force initial pressure F1 approx. N	Spring force final pressure F2 approx. N	Max. tightening torque Nm
K0340.1104	16	4	M6	2,3	9,5	41,5	20	32	17	6	0,7	3	10	1,6
K0340.1905	19	5	M8	3	12	54	27	42	24	8	0,9	3,5	13,5	4,5
K0340.1206	23,5	6	M10	3,5	14	65	33,5	51	30	10	1,1	4	16	10
K0340.1308	31	8	M12	4,7	19	73	31,8	54	28	12	1,3	4	22	13
K0340.1410	33	10	M16	4,7	25	102,5	50,5	77,5	44,5	16	1,6	4	23	42

## Cam Action Indexing Plungers



INCH Parts  
METRIC Parts



Style C  
grip powder-coated  
without nut

Style D  
grip powder-coated  
with nut



**Material:**  
Steel quality class 5.8

**Type:**  
Black oxide finish.  
Pin hardened and ground.

**Part Number Example:**  
K0348.0604A4

**Note:**  
For the inch series, dimensions D1 and SW are in inches, all other dimensions are in mm.  
Cam-Action Indexing Plungers are used when the indexing pin should not project all the time. Turning the handle through 180° retracts the pin and a notch ensures that the handle remains in this position.

### KIPP Cam Action Indexing Plungers, inch

Item No. Style C	Item No. Style D	D	D1	D2	L	L1	L3	B	B1	H	SW	Fx30°	Spring force initial pressure F1 approx. N	Spring force final pressure F2 approx. N
K0348.0604A4	K0348.0704A4	4	3/8-16	10	38	25	20	9	3	6	-19/16	1	8	14
K0348.0605A4	K0348.0705A4	5	3/8-16	10	38	25	20	9	3	6	-19/16	1,3	8	14
K0348.0606A4	K0348.0706A4	6	3/8-16	10	38	25	20	9	3	6	-19/16	1,8	8	14
K0348.0604AL	K0348.0704AL	4	3/8-24	10	38	25	20	9	3	6	-19/16	1	8	14
K0348.0605AL	K0348.0705AL	5	3/8-24	10	38	25	20	9	3	6	-19/16	1,3	8	14
K0348.0606AL	K0348.0706AL	6	3/8-24	10	38	25	20	9	3	6	-19/16	1,8	8	14
K0348.0605A5	K0348.0705A5	5	1/2-13	12	46,8	30	25	10,8	3,6	8	-13/4	1,3	8	15
K0348.0606A5	K0348.0706A5	6	1/2-13	12	46,8	30	25	10,8	3,6	8	-13/4	1,8	8	15
K0348.0608A5	K0348.0708A5	8	1/2-13	12	46,8	30	25	10,8	3,6	8	-13/4	2,3	8	15
K0348.0605AM	K0348.0705AM	5	1/2-20	12	46,8	30	25	10,8	3,6	8	-13/4	1,3	8	15
K0348.0606AM	K0348.0706AM	6	1/2-20	12	46,8	30	25	10,8	3,6	8	-13/4	1,8	8	15
K0348.0608AM	K0348.0708AM	8	1/2-20	12	46,8	30	25	10,8	3,6	8	-13/4	2,3	8	15
K0348.0606A6	K0348.0706A6	6	5/8-11	16	60,4	40	32	14,4	4,8	10	-115/16	1,8	15	35
K0348.0608A6	K0348.0708A6	8	5/8-11	16	60,4	40	32	14,4	4,8	10	-115/16	2,3	15	35
K0348.0610A6	K0348.0710A6	10	5/8-11	16	60,4	40	32	14,4	4,8	10	-115/16	2,8	15	35
K0348.0606AN	K0348.0706AN	6	5/8-18	16	60,4	40	32	14,4	4,8	10	-115/16	1,8	15	35
K0348.0608AN	K0348.0708AN	8	5/8-18	16	60,4	40	32	14,4	4,8	10	-115/16	2,3	15	35
K0348.0610AN	K0348.0710AN	10	5/8-18	16	60,4	40	32	14,4	4,8	10	-11-1/8	2,8	15	35
K0348.0608A7	K0348.0708A7	8	3/4-10	20	70	50	35	18	6	12	-11-1/8	2,3	20	60
K0348.0610A7	K0348.0710A7	10	3/4-10	20	70	50	35	18	6	12	-11-1/8	2,8	20	60
K0348.0612A7	K0348.0712A7	12	3/4-10	20	70	50	35	18	6	12	-11-1/8	3	20	60
K0348.0608A0	K0348.0708A0	8	3/4-16	20	70	50	35	18	6	12	-11-1/8	2,3	20	60
K0348.0610A0	K0348.0710A0	10	3/4-16	20	70	50	35	18	6	12	-11-1/8	2,8	20	60
K0348.0612A0	K0348.0712A0	12	3/4-16	20	70	50	35	18	6	12	-11-1/8	3	20	60

## Cam Action Indexing Plungers

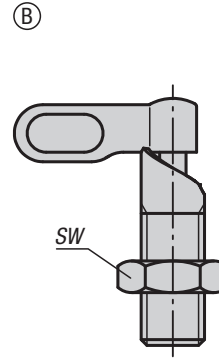
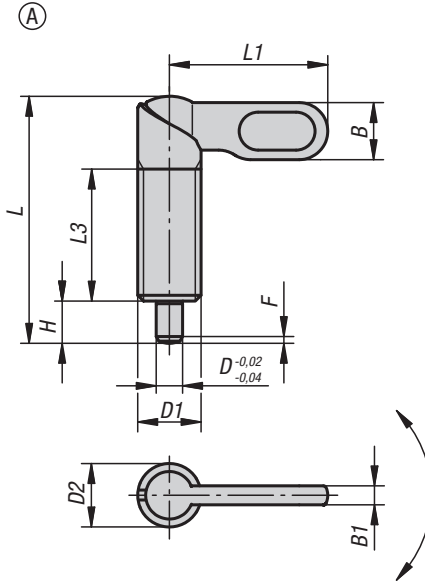


## KIPP Cam Action Indexing Plungers, metric

Item No. Style C	Item No. Style D	D	D1	D2	L	L1	L3	B	B1	H	SW	Fx30°	Spring force initial pressure F1 approx. N	Spring force final pressure F2 approx. N
K0348.060410	K0348.070410	4	M10	10	38	25	20	9	3	6	-/17	1	8	14
K0348.060510	K0348.070510	5	M10	10	38	25	20	9	3	6	-/17	1,3	8	14
K0348.060610	K0348.070610	6	M10	10	38	25	20	9	3	6	-/17	1,8	8	14
K0348.0604101	K0348.0704101	4	M10x1	10	38	25	20	9	3	6	-/17	1	8	14
K0348.0605101	K0348.0705101	5	M10x1	10	38	25	20	9	3	6	-/17	1,3	8	14
K0348.0606101	K0348.0706101	6	M10x1	10	38	25	20	9	3	6	-/17	1,8	8	14
K0348.060512	K0348.070512	5	M12	12	46,8	30	25	10,8	3,6	8	-/19	1,3	8	15
K0348.060612	K0348.070612	6	M12	12	46,8	30	25	10,8	3,6	8	-/19	1,8	8	15
K0348.060812	K0348.070812	8	M12	12	46,8	30	25	10,8	3,6	8	-/19	2,3	8	15
K0348.0605121	K0348.0705121	5	M12x1,5	12	46,8	30	25	10,8	3,6	8	-/19	1,3	8	15
K0348.0606121	K0348.0706121	6	M12x1,5	12	46,8	30	25	10,8	3,6	8	-/19	1,8	8	15
K0348.0608121	K0348.0708121	8	M12x1,5	12	46,8	30	25	10,8	3,6	8	-/19	2,3	8	15
K0348.060616	K0348.070616	6	M16	16	60,4	40	32	14,4	4,8	10	-/24	1,8	15	35
K0348.060816	K0348.070816	8	M16	16	60,4	40	32	14,4	4,8	10	-/24	2,3	15	35
K0348.061016	K0348.071016	10	M16	16	60,4	40	32	14,4	4,8	10	-/24	2,8	15	35
K0348.0606161	K0348.0706161	6	M16x1,5	16	60,4	40	32	14,4	4,8	10	-/24	1,8	15	35
K0348.0608161	K0348.0708161	8	M16x1,5	16	60,4	40	32	14,4	4,8	10	-/24	2,3	15	35
K0348.0610161	K0348.0710161	10	M16x1,5	16	60,4	40	32	14,4	4,8	10	-/24	2,8	15	35
K0348.060820	K0348.070820	8	M20	20	70	50	35	18	6	12	-/30	2,3	20	60
K0348.061020	K0348.071020	10	M20	20	70	50	35	18	6	12	-/30	2,8	20	60
K0348.061220	K0348.071220	12	M20	20	70	50	35	18	6	12	-/30	3	20	60
K0348.0608201	K0348.0708201	8	M20x1,5	20	70	50	35	18	6	12	-/30	2,3	20	60
K0348.0610201	K0348.0710201	10	M20x1,5	20	70	50	35	18	6	12	-/30	2,8	20	60
K0348.0612201	K0348.0712201	12	M20x1,5	20	70	50	35	18	6	12	-/30	3	20	60

## Cam Action Indexing Plungers

stainless steel



**Material:**

Stainless steel 1.4305 (AISI 303 equivalent).

**Type:**

Bright.  
Indexing pin ground, not hardened.

**Part Number Example:**

K0637.10404A4

**Note:**

For the inch series, dimensions D1 and SW are in inches, all other dimensions are in mm.  
Cam-action Indexing Plungers are used when the indexing pin should not project all the time.  
Turning the handle through 180° retracts the pin.  
A notch ensures that the handle remains in this position.

### KIPP Cam Action Indexing Plungers in stainless steel, inch

Item No. Style A	Item No. Style B	D	D1	D2	L	L1	L3	B	B1	H	SW	Fx30°	Spring force initial pressure F1 approx. N	Spring force final pressure F2 approx. N
K0637.10404A4	K0637.10504A4	4	3/8-16	10	38	25	20	9	3	6	-19/16	1	8	14
K0637.10405A4	K0637.10505A4	5	3/8-16	10	38	25	20	9	3	6	-19/16	1,3	8	14
K0637.10406A4	K0637.10506A4	6	3/8-16	10	38	25	20	9	3	6	-19/16	1,8	8	14
K0637.10404AL	K0637.10504AL	4	3/8-24	10	38	25	20	9	3	6	-19/16	1	8	14
K0637.10405AL	K0637.10505AL	5	3/8-24	10	38	25	20	9	3	6	-19/16	1,3	8	14
K0637.10406AL	K0637.10506AL	6	3/8-24	10	38	25	20	9	3	6	-19/16	1,8	8	14
K0637.10405A5	K0637.10505A5	5	1/2-13	12	46,8	30	25	10,8	3,6	8	-13/4	1,3	8	15
K0637.10406A5	K0637.10506A5	6	1/2-13	12	46,8	30	25	10,8	3,6	8	-13/4	1,8	8	15
K0637.10408A5	K0637.10508A5	8	1/2-13	12	46,8	30	25	10,8	3,6	8	-13/4	2,3	8	15
K0637.10405AM	K0637.10505AM	5	1/2-20	12	46,8	30	25	10,8	3,6	8	-13/4	1,3	8	15
K0637.10406AM	K0637.10506AM	6	1/2-20	12	46,8	30	25	10,8	3,6	8	-13/4	1,8	8	15
K0637.10408AM	K0637.10508AM	8	1/2-20	12	46,8	30	25	10,8	3,6	8	-13/4	2,3	8	15
K0637.10406A6	K0637.10506A6	6	5/8-11	16	60,4	40	32	14,4	4,8	10	-115/16	1,8	15	35
K0637.10408A6	K0637.10508A6	8	5/8-11	16	60,4	40	32	14,4	4,8	10	-115/16	2,3	15	35
K0637.10410A6	K0637.10510A6	10	5/8-11	16	60,4	40	32	14,4	4,8	10	-115/16	2,8	15	35
K0637.10406AN	K0637.10506AN	6	5/8-18	16	60,4	40	32	14,4	4,8	10	-115/16	1,8	15	35
K0637.10408AN	K0637.10508AN	8	5/8-18	16	60,4	40	32	14,4	4,8	10	-115/16	2,3	15	35
K0637.10410AN	K0637.10510AN	10	5/8-18	16	60,4	40	32	14,4	4,8	10	-115/16	2,8	15	35
K0637.10408A7	K0637.10508A7	8	3/4-10	20	70	50	35	18	6	12	-11-1/8	2,3	20	60
K0637.10410A7	K0637.10510A7	10	3/4-10	20	70	50	35	18	6	12	-11-1/8	2,8	20	60
K0637.10412A7	K0637.10512A7	12	3/4-10	20	70	50	35	18	6	12	-11-1/8	3	20	60
K0637.10408A0	K0637.10508A0	8	3/4-16	20	70	50	35	18	6	12	-11-1/8	2,3	20	60
K0637.10410A0	K0637.10510A0	10	3/4-16	20	70	50	35	18	6	12	-11-1/8	2,8	20	60
K0637.10412A0	K0637.10512A0	12	3/4-16	20	70	50	35	18	6	12	-11-1/8	3	20	60



# Cam Action Indexing Plungers

stainless steel



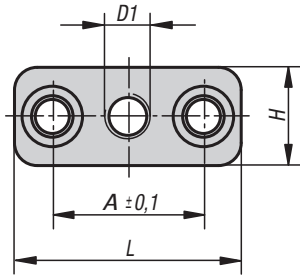
## KIPP Cam Action Indexing Plungers in stainless steel, metric

Item No. Style A	Item No. Style B	D	D1	D2	L	L1	L3	B	B1	H	SW	Fx30°	Spring force initial pressure F1 approx. N	Spring force final pressure F2 approx. N
K0637.1040410	K0637.1050410	4	M10	10	38	25	20	9	3	6	-/17	1	8	14
K0637.1040510	K0637.1050510	5	M10	10	38	25	20	9	3	6	-/17	1,3	8	14
K0637.1040610	K0637.1050610	6	M10	10	38	25	20	9	3	6	-/17	1,8	8	14
K0637.10404101	K0637.10504101	4	M10x1	10	38	25	20	9	3	6	-/17	1	8	14
K0637.10405101	K0637.10505101	5	M10x1	10	38	25	20	9	3	6	-/17	1,3	8	14
K0637.10406101	K0637.10506101	6	M10x1	10	38	25	20	9	3	6	-/17	1,8	8	14
K0637.1040512	K0637.1050512	5	M12	12	46,8	30	25	10,8	3,6	8	-/19	1,3	8	15
K0637.1040612	K0637.1050612	6	M12	12	46,8	30	25	10,8	3,6	8	-/19	1,8	8	15
K0637.1040812	K0637.1050812	8	M12	12	46,8	30	25	10,8	3,6	8	-/19	2,3	8	15
K0637.10405121	K0637.10505121	5	M12x1,5	12	46,8	30	25	10,8	3,6	8	-/19	1,3	8	15
K0637.10406121	K0637.10506121	6	M12x1,5	12	46,8	30	25	10,8	3,6	8	-/19	1,8	8	15
K0637.10408121	K0637.10508121	8	M12x1,5	12	46,8	30	25	10,8	3,6	8	-/19	2,3	8	15
K0637.1040616	K0637.1050616	6	M16	16	60,4	40	32	14,4	4,8	10	-/24	1,8	15	35
K0637.1040816	K0637.1050816	8	M16	16	60,4	40	32	14,4	4,8	10	-/24	2,3	15	35
K0637.1041016	K0637.1051016	10	M16	16	60,4	40	32	14,4	4,8	10	-/24	2,8	15	35
K0637.10406161	K0637.10506161	6	M16x1,5	16	60,4	40	32	14,4	4,8	10	-/24	1,8	15	35
K0637.10408161	K0637.10508161	8	M16x1,5	16	60,4	40	32	14,4	4,8	10	-/24	2,3	15	35
K0637.10410161	K0637.10510161	10	M16x1,5	16	60,4	40	32	14,4	4,8	10	-/24	2,8	15	35
K0637.1040820	K0637.1050820	8	M20	20	70	50	35	18	6	12	-/30	2,3	20	60
K0637.1041020	K0637.1051020	10	M20	20	70	50	35	18	6	12	-/30	2,8	20	60
K0637.1041220	K0637.1051220	12	M20	20	70	50	35	18	6	12	-/30	3	20	60
K0637.10408201	K0637.10508201	8	M20x1,5	20	70	50	35	18	6	12	-/30	2,3	20	60
K0637.10410201	K0637.10510201	10	M20x1,5	20	70	50	35	18	6	12	-/30	2,8	20	60
K0637.10412201	K0637.10512201	12	M20x1,5	20	70	50	35	18	6	12	-/30	3	20	60

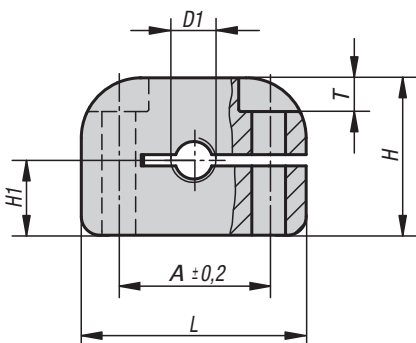
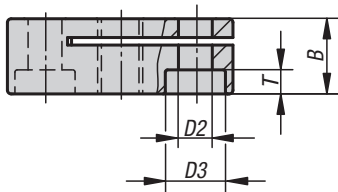
# Mounting Brackets

aluminum

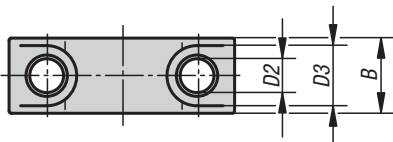
METRIC  
Parts



Style A  
Fastening holes  
parallel to thread



Style B  
Fastening holes  
perpendicular to thread

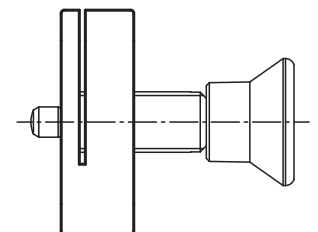
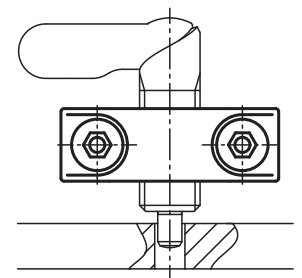


**Material:**  
Aluminum 3.2163

**Type:**  
black.

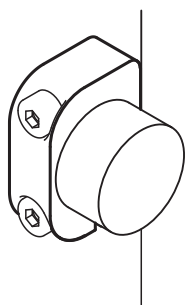
**Part Number Example:**  
K0638.308

**Note:**  
These Mounting Brackets are an assembly aid for cam-action and other indexing plungers and expand the application field. They can also be used with other elements that have a suitable thread.  
Fastened using DIN 912 / ISO 4762 cap screws.



# Mounting Brackets

aluminum



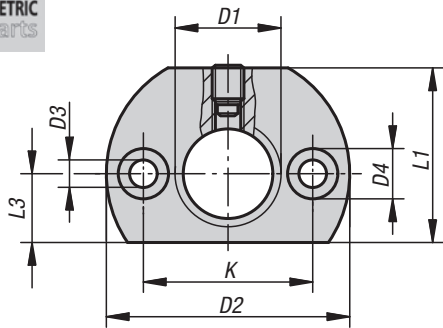
## KIPP Mounting Brackets aluminum, metric

Item No.	Style	D1	D2	D3	A	B	H	H1	L	T
K0638.306	A	M6	4,5	8	20	10	13	-	30	3,2
K0638.3061	A	M6x0,75	4,5	8	20	10	13	-	30	3,2
K0638.308	A	M8	4,5	8	20	10	13	-	30	3,2
K0638.3081	A	M8x1	4,5	8	20	10	13	-	30	3,2
K0638.310	A	M10	5,5	10	24	12	18	-	37	3,9
K0638.3101	A	M10x1	5,5	10	24	12	18	-	37	3,9
K0638.312	A	M12	5,5	10	24	12	18	-	37	3,9
K0638.3121	A	M12x1,5	5,5	10	24	12	18	-	37	3,9
K0638.316	A	M16	5,5	10	32	15	25	-	46	3,9
K0638.3161	A	M16x1,5	5,5	10	32	15	25	-	46	3,9
K0638.320	A	M20	5,5	10	32	15	25	-	46	3,9
K0638.3201	A	M20x1,5	5,5	10	32	15	25	-	46	3,9
K0638.406	B	M6	4,5	8	20	10	21	10	30	4,5
K0638.4061	B	M6x0,75	4,5	8	20	10	21	10	30	4,5
K0638.408	B	M8	4,5	8	20	10	21	10	30	4,5
K0638.4081	B	M8x1	4,5	8	20	10	21	10	30	4,5
K0638.410	B	M10	5,5	10	24	12	26	13	36	5,5
K0638.4101	B	M10x1	5,5	10	24	12	26	13	36	5,5
K0638.412	B	M12	5,5	10	24	12	26	13	36	5,5
K0638.4121	B	M12x1,5	5,5	10	24	12	26	13	36	5,5
K0638.416	B	M16	5,5	10	32	15	29	17	46	5,5
K0638.4161	B	M16x1,5	5,5	10	32	15	29	17	46	5,5
K0638.420	B	M20	5,5	10	32	15	29	17	46	5,5
K0638.4201	B	M20x1,5	5,5	10	32	15	29	17	46	5,5

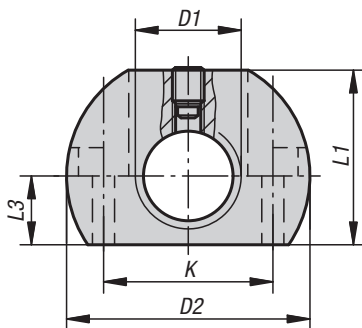
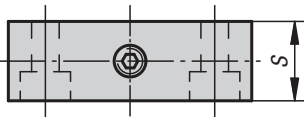
## Mounting Brackets



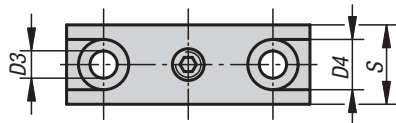
METRIC  
Parts



Style A  
fastening holes parallel  
to indexing plunger



Style B  
fastening holes perpendicular  
to indexing plunger



**Material:**  
Steel.

**Type:**  
Black oxide finish.

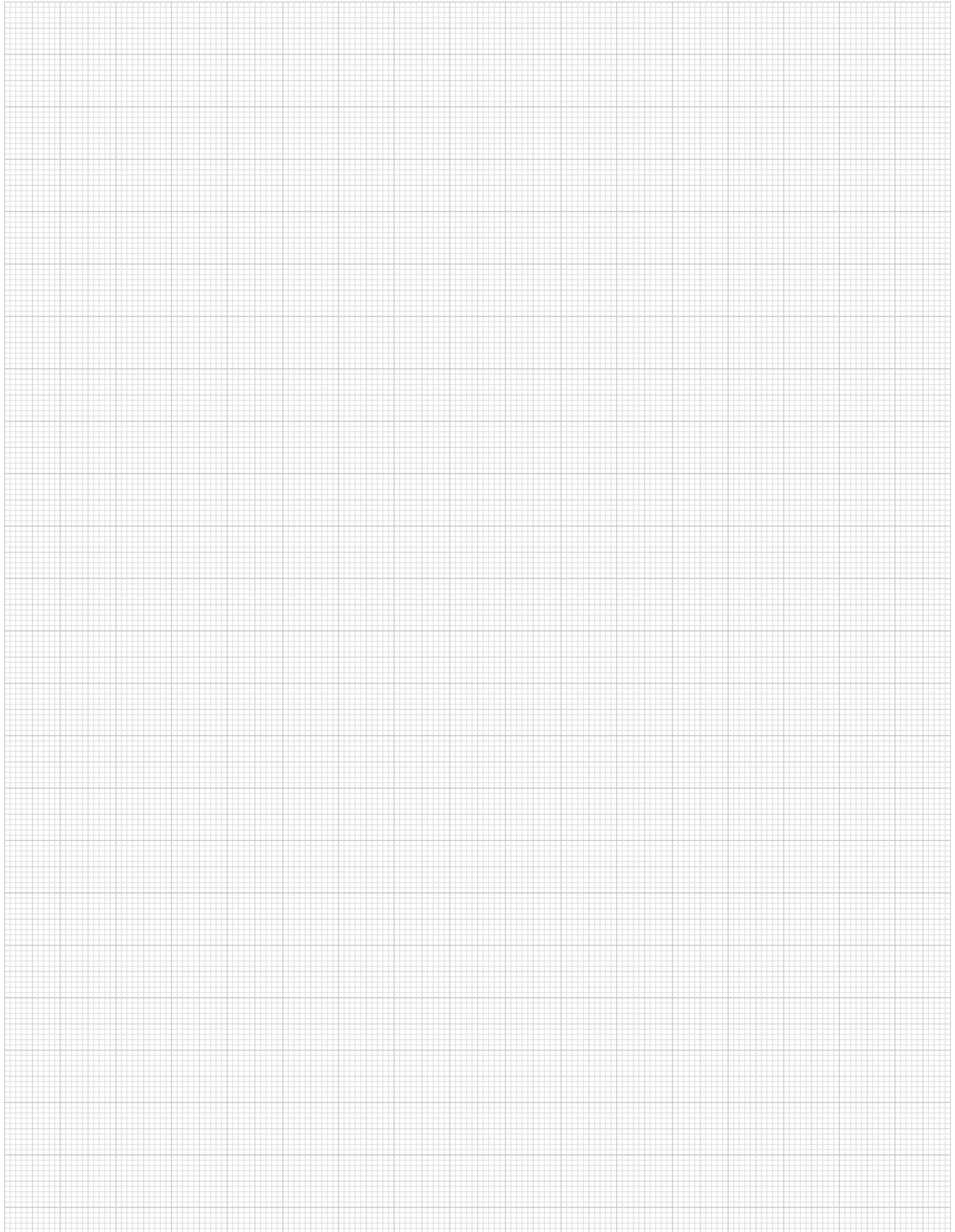
**Part Number Example:**  
K0638.116

**Note:**  
These Mounting Brackets are assembly aids for cam-action indexing plungers and extend their application field. They can also be used with other indexing plungers or other elements that have a suitable thread. Fastened using cap screws.

### KIPP Mounting Brackets, metric

Item No.	Style	D1	D2	D3	D4	K	L1	L3	S
K0638.112	A	M12	36	5,5	10	24	25	10	12
K0638.1121	A	M12x1,5	36	5,5	10	24	25	10	12
K0638.116	A	M16	46	5,5	10	32	33	13	15
K0638.1161	A	M16x1,5	46	5,5	10	32	33	13	15
K0638.120	A	M20	46	5,5	10	32	33	13	15
K0638.1201	A	M20x1,5	46	5,5	10	32	33	13	15
K0638.212	B	M12	36	5,5	10	24	25	10	12
K0638.2121	B	M12x1,5	36	5,5	10	24	25	10	12
K0638.216	B	M16	46	5,5	10	32	33	13	15
K0638.2161	B	M16x1,5	46	5,5	10	32	33	13	15
K0638.220	B	M20	46	5,5	10	32	33	13	15
K0638.2201	B	M20x1,5	46	5,5	10	32	33	13	15

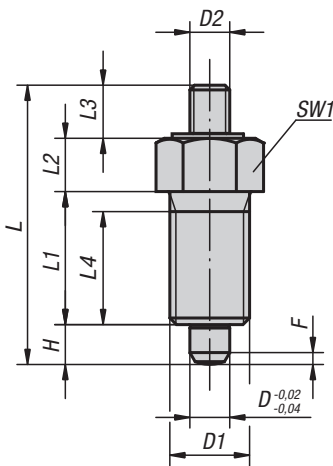
Notes:



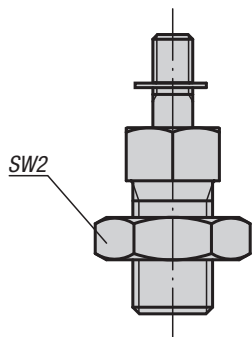
## Indexing Plungers

threaded pin

INCH  
Parts



Style E  
with threaded pin  
without locknut



Style F  
with threaded pin  
with locknut

**Material:**

Steel version  
Indexing pin hardened:  
quality class 5.8.

Stainless steel version  
Indexing pin hardened:  
Threaded sleeve 1.4305 (AISI 303 equivalent).  
Indexing pin 1.4034 (AISI 420 equivalent).

Indexing pin not hardened:  
Threaded sleeve 1.4305 (AISI 303 equivalent).  
Indexing pin 1.4305 (AISI 303 equivalent).

**Type:**

Steel version:  
Indexing pin hardened, ground and with black oxide finish.

Stainless steel version:  
Indexing pin hardened, ground and bright.  
Indexing pin not hardened, ground and bright.

**Part Number Example:**

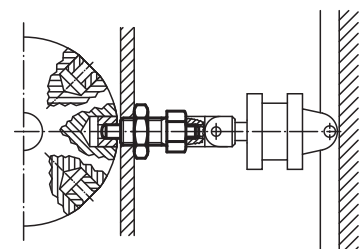
K0341.1903AJ

**Note:**

For the inch series, dimensions D1 and SW2 are in inches, all other dimensions are in mm.  
Indexing plungers are used to prevent any change in locking position due to lateral forces. A new locking position can only be set after the pin has been disengaged. Special grips can be fitted on the threaded head. This pin is also suitable for automatic actuation e.g. program controlled pneumatic cylinder or by remote control using bowden cables.

**On request:**

Special versions and spacer rings K0665.



# Indexing Plungers

threaded pin



## KIPP Indexing Plungers, threaded pin, steel, locking pin hardened, inch

Item No. Style E	Item No. Style F	D	D1	D2	L	L1	L2	L3	L4	H	SW1	SW2	Fx30°	Spring force initial pressure F1 approx. N	Spring force final pressure F2 approx. N
K0341.1903AJ	K0341.2903AJ	3	1/4-28	M2	24	12	5	3,5	10	3,5	8	-17/16	0,8	4,5	10
K0341.1004AK	K0341.2004AK	4	5/16-24	M3	32	15	6	7	13	4	10	-11/2	1	6	12
K0341.1105AL	K0341.2105AL	5	3/8-24	M4	37	17	7	8	15	5	13	-19/16	1,3	5	12
K0341.1206A5	K0341.2206A5	6	1/2-13	M6	42	20	8	8	17	6	14	-13/4	1,8	6	14
K0341.1308A6	K0341.2308A6	8	5/8-11	M8	56	26	10	12	23	8	19	-115/16	2,3	15	35
K0341.1410A7	K0341.2410A7	10	3/4-10	M8	62	28	12	12	25	10	22	-11-1/8	2,8	15	34
K0341.1412A0	K0341.2412A0	12	3/4-16	M8	66	28	14	12	25	12	22	-11-1/8	2,8	15	39
K0341.1516A8	K0341.2516A8	16	1-8	M10	80	32	18	14	28	16	27	-11-1/2	3,2	20	46

## KIPP Indexing Plungers, threaded pin, stainless steel, locking pin hardened, inch

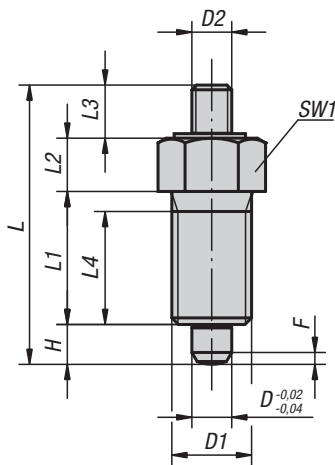
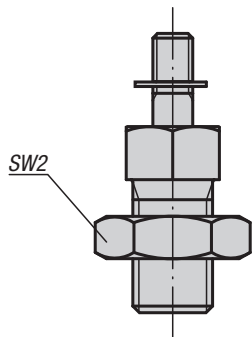
Item No. Style E	Item No. Style F	D	D1	D2	L	L1	L2	L3	L4	H	SW1	SW2	Fx30°	Spring force initial pressure F1 approx. N	Spring force final pressure F2 approx. N
K0341.01903AJ	K0341.02903AJ	3	1/4-28	M2	24	12	5	3,5	10	3,5	8	-17/16	0,8	4,5	10
K0341.01004AK	K0341.02004AK	4	5/16-24	M3	32	15	6	7	13	4	10	-11/2	1	6	12
K0341.01105AL	K0341.02105AL	5	3/8-24	M4	37	17	7	8	15	5	13	-19/16	1,3	5	12
K0341.01206A5	K0341.02206A5	6	1/2-13	M6	42	20	8	8	17	6	14	-13/4	1,8	6	14
K0341.01308A6	K0341.02308A6	8	5/8-11	M8	56	26	10	12	23	8	19	-115/16	2,3	15	35
K0341.01410A7	K0341.02410A7	10	3/4-10	M8	62	28	12	12	25	10	22	-11-1/8	2,8	15	34
K0341.01412A0	K0341.02412A0	12	3/4-16	M8	66	28	14	12	25	12	22	-11-1/8	2,8	15	39
K0341.01516A8	K0341.02516A8	16	1-8	M10	80	32	18	14	28	16	27	-11-1/2	3,2	20	46

## KIPP Indexing Plungers, threaded pin, stainless steel, locking pin not hardened, inch

Item No. Style E	Item No. Style F	D	D1	D2	L	L1	L2	L3	L4	H	SW1	SW2	Fx30°	Spring force initial pressure F1 approx. N	Spring force final pressure F2 approx. N
K0341.11903AJ	K0341.12903AJ	3	1/4-28	M2	24	12	5	3,5	10	3,5	8	-17/16	0,8	4,5	10
K0341.11004AK	K0341.12004AK	4	5/16-24	M3	32	15	6	7	13	4	10	-11/2	1	6	12
K0341.11105AL	K0341.12105AL	5	3/8-24	M4	37	17	7	8	15	5	13	-19/16	1,3	5	12
K0341.11206A5	K0341.12206A5	6	1/2-13	M6	42	20	8	8	17	6	14	-13/4	1,8	6	14
K0341.11308A6	K0341.12308A6	8	5/8-11	M8	56	26	10	12	23	8	19	-115/16	2,3	15	35
K0341.11410A7	K0341.12410A7	10	3/4-10	M8	62	28	12	12	25	10	22	-11-1/8	2,8	15	34
K0341.11412A0	K0341.12412A0	12	3/4-16	M8	66	28	14	12	25	12	22	-11-1/8	2,8	15	39
K0341.11516A8	K0341.12516A8	16	1-8	M10	80	32	18	14	28	16	27	-11-1/2	3,2	20	46

## Indexing Plungers

threaded pin

METRIC  
PartsStyle E  
with threaded pin  
without locknutStyle F  
with threaded pin  
with locknut**Material:**

Steel version  
Indexing pin hardened:  
quality class 5.8.

Stainless steel version  
Indexing pin hardened:  
Threaded sleeve 1.4305 (AISI 303 equivalent).  
Indexing pin 1.4034 (AISI 420 equivalent).

Indexing pin not hardened:  
Threaded sleeve 1.4305 (AISI 303 equivalent).  
Indexing pin 1.4305 (AISI 303 equivalent).

**Type:**

Steel version:  
Indexing pin hardened, ground and with black oxide finish.

Stainless steel version:  
Indexing pin hardened, ground and bright.  
Indexing pin not hardened, ground and bright.

**Part Number Example:**

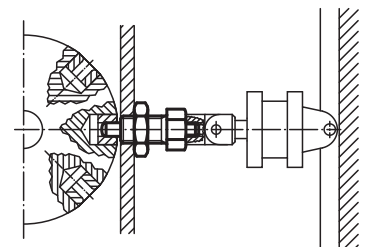
K0341.1903AJ

**Note:**

For the inch series, dimensions D1 and SW2 are in inches, all other dimensions are in mm.  
Indexing plungers are used to prevent any change in locking position due to lateral forces. A new locking position can only be set after the pin has been disengaged. Special grips can be fitted on the threaded head. This pin is also suitable for automatic actuation e.g. program controlled pneumatic cylinder or by remote control using bowden cables.

**On request:**

Special versions and spacer rings K0665.





## Indexing Plungers

threaded pin



## KIPP Indexing Plungers, threaded pin, steel, locking pin hardened, metric

Item No. Style E	Item No. Style F	D	D1	D2	L	L1	L2	L3	L4	H	SW1	SW2	Fx30°	Spring force initial pressure F1 approx. N	Spring force final pressure F2 approx. N
K0341.1903	K0341.2903	3	M6x0,75	M2	24	12	5	3,5	10	3,5	8	- / 10	0,8	4,5	10
K0341.1004	K0341.2004	4	M8x1	M3	32	15	6	7	13	4	10	- / 13	1	6	12
K0341.1105	K0341.2105	5	M10x1	M4	37	17	7	8	15	5	13	- / 17	1,3	5	12
K0341.1206	K0341.2206	6	M12x1,5	M6	42	20	8	8	17	6	14	- / 19	1,8	6	14
K0341.1308	K0341.2308	8	M16x1,5	M8	56	26	10	12	23	8	19	- / 24	2,3	15	35
K0341.1410	K0341.2410	10	M20x1,5	M8	62	28	12	12	25	10	22	- / 30	2,8	15	34
K0341.1412	K0341.2412	12	M20x1,5	M8	66	28	14	12	25	12	22	- / 30	2,8	15	39
K0341.1516	K0341.2516	16	M24x2	M10	80	32	18	14	28	16	27	- / 36	3,2	20	46

## KIPP Indexing Plungers, threaded pin, stainless steel, locking pin hardened, metric

Item No. Style E	Item No. Style F	D	D1	D2	L	L1	L2	L3	L4	H	SW1	SW2	Fx30°	Spring force initial pressure F1 approx. N	Spring force final pressure F2 approx. N
K0341.01903	K0341.02903	3	M6x0,75	M2	24	12	5	3,5	10	3,5	8	- / 10	0,8	4,5	10
K0341.01004	K0341.02004	4	M8x1	M3	32	15	6	7	13	4	10	- / 13	1	6	12
K0341.01105	K0341.02105	5	M10x1	M4	37	17	7	8	15	5	13	- / 17	1,3	5	12
K0341.01206	K0341.02206	6	M12x1,5	M6	42	20	8	8	17	6	14	- / 19	1,8	6	14
K0341.01308	K0341.02308	8	M16x1,5	M8	56	26	10	12	23	8	19	- / 24	2,3	15	35
K0341.01410	K0341.02410	10	M20x1,5	M8	62	28	12	12	25	10	22	- / 30	2,8	15	34
K0341.01412	K0341.02412	12	M20x1,5	M8	66	28	14	12	25	12	22	- / 30	2,8	15	39
K0341.01516	K0341.02516	16	M24x2	M10	80	32	18	14	28	16	27	- / 36	3,2	20	46

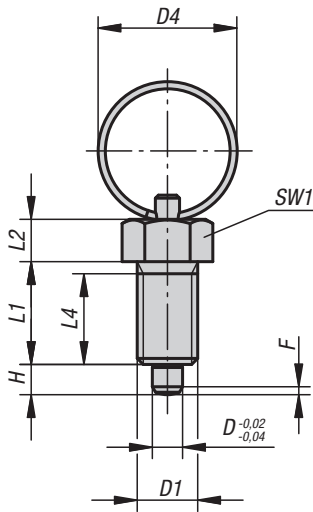
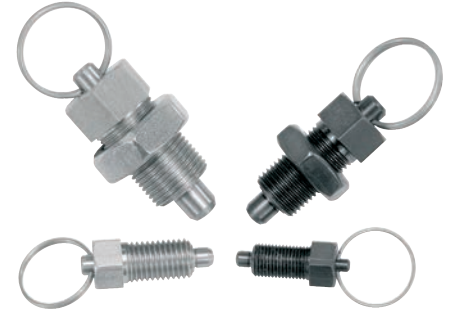
## KIPP Indexing Plungers, threaded pin, stainless steel, locking pin not hardened, metric

Item No. Style E	Item No. Style F	D	D1	D2	L	L1	L2	L3	L4	H	SW1	SW2	Fx30°	Spring force initial pressure F1 approx. N	Spring force final pressure F2 approx. N
K0341.11903	K0341.12903	3	M6x0,75	M2	24	12	5	3,5	10	3,5	8	- / 10	0,8	4,5	10
K0341.11004	K0341.12004	4	M8x1	M3	32	15	6	7	13	4	10	- / 13	1	6	12
K0341.11105	K0341.12105	5	M10x1	M4	37	17	7	8	15	5	13	- / 17	1,3	5	12
K0341.11206	K0341.12206	6	M12x1,5	M6	42	20	8	8	17	6	14	- / 19	1,8	6	14
K0341.11308	K0341.12308	8	M16x1,5	M8	56	26	10	12	23	8	19	- / 24	2,3	15	35
K0341.11410	K0341.12410	10	M20x1,5	M8	62	28	12	12	25	10	22	- / 30	2,8	15	34
K0341.11412	K0341.12412	12	M20x1,5	M8	66	28	14	12	25	12	22	- / 30	2,8	15	39
K0341.11516	K0341.12516	16	M24x2	M10	80	32	18	14	28	16	27	- / 36	3,2	20	46

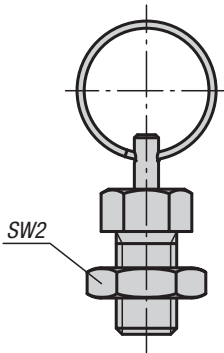
## Indexing Plungers



METRIC  
Parts



Style R  
without locknut



Style S  
with locknut

**Material:**

Steel version  
Indexing pin hardened:  
quality class 5.8.

Stainless steel version  
Indexing pin hardened:  
Threaded sleeve 1.4305 (AISI 303 equivalent).  
Indexing pin 1.4034 (AISI 420 equivalent).

Indexing pin not hardened:  
Threaded sleeve 1.4305 (AISI 303 equivalent).  
Indexing pin 1.4305 (AISI 303 equivalent).

Split ring stainless steel 1.4310 (AISI 310 equivalent), bright.

**Type:**

Steel version:  
Indexing pin hardened, ground and with black oxide finish.

Stainless steel version:  
Indexing pin hardened, ground and bright.  
Indexing pin not hardened, ground and bright.

**Part Number Example:**

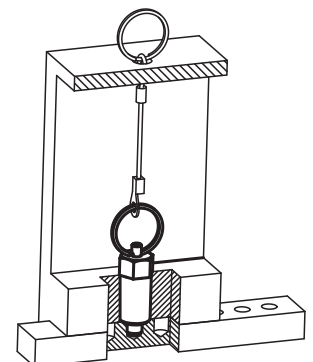
K0342.3004

**Note:**

Indexing plungers are used to prevent any change in locking position due to lateral forces. A new locking position can only be set after the pin has been disengaged. The split ring is also suitable for automatic actuation of the indexing plunger by e.g. program-controlled pneumatic cylinder or by remote control using bowden cables.

**On request:**

Special versions and spacer rings K0665.



**KIPP Indexing Plungers, steel, locking pin hardened, metric**

Item No. Style R	Item No. Style S	D	D1	D4	L	L1	L2	L4	H	SW1	SW2	Fx30°	Spring force initial pressure F1 approx. N	Spring force final pressure F2 approx. N
K0342.3004	K0342.4004	4	M8x1	15	40	15	6	13	4	10	- / 13	1	6	12
K0342.3105	K0342.4105	5	M10x1	23	52	17	7	15	5	13	- / 17	1,3	5	12
K0342.3206	K0342.4206	6	M12x1,5	23	57	20	8	17	6	14	- / 19	1,8	6	14
K0342.3308	K0342.4308	8	M16x1,5	28	72	26	10	23	8	19	- / 24	2,3	15	35
K0342.3410	K0342.4410	10	M20x1,5	28	78	28	12	25	10	22	- / 30	2,8	15	34

**KIPP Indexing Plungers, stainless steel, locking pin hardened, metric**

Item No. Style R	Item No. Style S	D	D1	D4	L	L1	L2	L4	H	SW1	SW2	Fx30°	Spring force initial pressure F1 approx. N	Spring force final pressure F2 approx. N
K0342.03004	K0342.04004	4	M8x1	15	40	15	6	13	4	10	- / 13	1	6	12
K0342.03105	K0342.04105	5	M10x1	23	52	17	7	15	5	13	- / 17	1,3	5	12
K0342.03206	K0342.04206	6	M12x1,5	23	57	20	8	17	6	14	- / 19	1,8	6	14
K0342.03308	K0342.04308	8	M16x1,5	28	72	26	10	23	8	19	- / 24	2,3	15	35
K0342.03410	K0342.04410	10	M20x1,5	28	78	28	12	25	10	22	- / 30	2,8	15	34

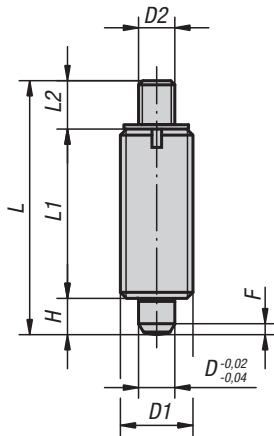
**KIPP Indexing Plungers, stainless steel, locking pin not hardened, metric**

Item No. Style R	Item No. Style S	D	D1	D4	L	L1	L2	L4	H	SW1	SW2	Fx30°	Spring force initial pressure F1 approx. N	Spring force final pressure F2 approx. N
K0342.13004	K0342.14004	4	M8x1	15	40	15	6	13	4	10	- / 13	1	6	12
K0342.13105	K0342.14105	5	M10x1	23	52	17	7	15	5	13	- / 17	1,3	5	12
K0342.13206	K0342.14206	6	M12x1,5	23	57	20	8	17	6	14	- / 19	1,8	6	14
K0342.13308	K0342.14308	8	M16x1,5	28	72	26	10	23	8	19	- / 24	2,3	15	35
K0342.13410	K0342.14410	10	M20x1,5	28	78	28	12	25	10	22	- / 30	2,8	15	34

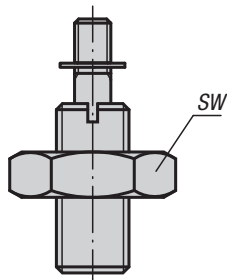
## Indexing Plungers

without collar

INCH  
Parts

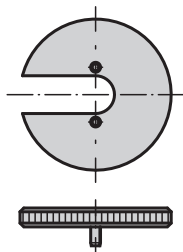


Style J  
with threaded pin  
without locknut



Style K  
with threaded pin  
with locknut

Installation tool



**Material:**

Steel version  
Indexing pin hardened:  
quality class 5.8.

Stainless steel version  
Indexing pin hardened:  
Threaded sleeve 1.4305 (AISI 303 equivalent).  
Indexing pin 1.4034 (AISI 420 equivalent).

Indexing pin not hardened:  
Threaded sleeve 1.4305 (AISI 303 equivalent).  
Indexing pin 1.4305 (AISI 303 equivalent).

**Type:**

Steel version:  
Indexing pin hardened, ground and with black oxide finish.

Stainless steel version:  
Indexing pin hardened, ground and bright.  
Indexing pin not hardened, ground and bright.

**Part Number Example:**

K0345.1903AJ

**Note:**

For the inch series, dimensions D1 and SW are in inches, all other dimensions are in mm.  
Indexing Plungers are used to prevent any change in locking position due to lateral forces. A new locking position can only be set after the pin has been disengaged.  
Special grips can be fitted on the projecting threaded pin. This pin is also suitable for automatic actuation by e.g. program controlled pneumatic cylinder or by remote control using bowden cables.  
Instead of a wrench, a knurled installation tool is used to screw in these plungers. The carrier pins on the tool engage the slot in the plunger body.

**On request:**

Special versions.

## Indexing Plungers

without collar



## KIPP Indexing Plungers, without collar, threaded pin, steel, locking pin hardened, inch

Item No. Style J	Item No. Style K	D	D1	D2	L	L1	L2	H	SW	Fx30°	Spring force initial pressure F1 approx. N	Spring force final pressure F2 approx. N	Item No. installation tool
K0345.1903AJ	K0345.2903AJ	3	1/4-28	M2	24	17	3,5	3,5	-17/16	0,8	4,5	10	K0344.99
K0345.1004AK	K0345.2004AK	4	5/16-24	M3	32	21	7	4	-11/2	1	6	12	K0344.90
K0345.1105AL	K0345.2105AL	5	3/8-24	M4	37	24	8	5	-19/16	1,3	5	12	K0344.91
K0345.1206A5	K0345.2206A5	6	1/2-13	M6	42	28	8	6	-13/4	1,8	6	14	K0344.92
K0345.1308A6	K0345.2308A6	8	5/8-11	M8	56	36	12	8	-115/16	2,3	15	35	K0344.93
K0345.1410A7	K0345.2410A7	10	3/4-10	M8	62	40	12	10	-11-1/8	2,8	15	34	K0344.94
K0345.1412A0	K0345.2412A0	12	3/4-16	M8	66	42	12	12	-11-1/8	2,8	15	39	K0344.94
K0345.1516A8	K0345.2516A8	16	1-8	M10	80	50	14	16	-11-1/2	3,2	20	46	K0344.95

## KIPP Indexing Plungers, without collar, threaded pin, stainless steel, locking pin hardened, inch

Item No. Style J	Item No. Style K	D	D1	D2	L	L1	L2	H	SW	Fx30°	Spring force initial pressure F1 approx. N	Spring force final pressure F2 approx. N	Item No. installation tool
K0345.01903AJ	K0345.02903AJ	3	1/4-28	M2	24	17	3,5	3,5	-17/16	0,8	4,5	10	K0344.99
K0345.01004AK	K0345.02004AK	4	5/16-24	M3	32	21	7	4	-11/2	1	6	12	K0344.90
K0345.01105AL	K0345.02105AL	5	3/8-24	M4	37	24	8	5	-19/16	1,3	5	12	K0344.91
K0345.01206A5	K0345.02206A5	6	1/2-13	M6	42	28	8	6	-13/4	1,8	6	14	K0344.92
K0345.01308A6	K0345.02308A6	8	5/8-11	M8	56	36	12	8	-115/16	2,3	15	35	K0344.93
K0345.01410A7	K0345.02410A7	10	3/4-10	M8	62	40	12	10	-11-1/8	2,8	15	34	K0344.94
K0345.01412A0	K0345.02412A0	12	3/4-16	M8	66	42	12	12	-11-1/8	2,8	15	39	K0344.94
K0345.01516A8	K0345.02516A8	16	1-8	M10	80	50	14	16	-11-1/2	3,2	20	46	K0344.95

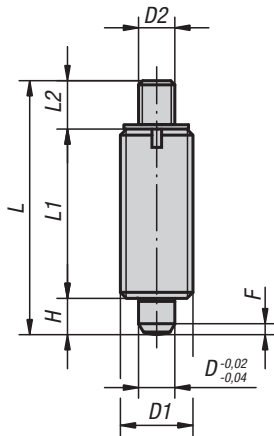
## KIPP Indexing Plungers, without collar, threaded pin, stainless steel, locking pin not hardened, inch

Item No. Style J	Item No. Style K	D	D1	D2	L	L1	L2	H	SW	Fx30°	Spring force initial pressure F1 approx. N	Spring force final pressure F2 approx. N	Item No. installation tool
K0345.11903AJ	K0345.12903AJ	3	1/4-28	M2	24	17	3,5	3,5	-17/16	0,8	4,5	10	K0344.99
K0345.11004AK	K0345.12004AK	4	5/16-24	M3	32	21	7	4	-11/2	1	6	12	K0344.90
K0345.11105AL	K0345.12105AL	5	3/8-24	M4	37	24	8	5	-19/16	1,3	5	12	K0344.91
K0345.11206A5	K0345.12206A5	6	1/2-13	M6	42	28	8	6	-13/4	1,8	6	14	K0344.92
K0345.11308A6	K0345.12308A6	8	5/8-11	M8	56	36	12	8	-115/16	2,3	15	35	K0344.93
K0345.11410A7	K0345.12410A7	10	3/4-10	M8	62	40	12	10	-11-1/8	2,8	15	34	K0344.94
K0345.11412A0	K0345.12412A0	12	3/4-16	M8	66	42	12	12	-11-1/8	2,8	15	39	K0344.94
K0345.11516A8	K0345.12516A8	16	1-8	M10	80	50	14	16	-11-1/2	3,2	20	46	K0344.95

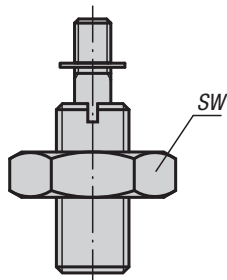
## Indexing Plungers

without collar

METRIC  
Parts

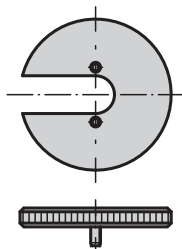


Style J  
with threaded pin  
without locknut



Style K  
with threaded pin  
with locknut

Installation tool



**Material:**

Steel version  
Indexing pin hardened:  
quality class 5.8.

Stainless steel version  
Indexing pin hardened:  
Threaded sleeve 1.4305 (AISI 303 equivalent).  
Indexing pin 1.4034 (AISI 420 equivalent).

Indexing pin not hardened:  
Threaded sleeve 1.4305 (AISI 303 equivalent).  
Indexing pin 1.4305 (AISI 303 equivalent).

**Type:**

Steel version:  
Indexing pin hardened, ground and with black oxide finish.

Stainless steel version:  
Indexing pin hardened, ground and bright.  
Indexing pin not hardened, ground and bright.

**Part Number Example:**

K0345.1903AJ

**Note:**

For the inch series, dimensions D1 and SW are in inches, all other dimensions are in mm.  
Indexing Plungers are used to prevent any change in locking position due to lateral forces. A new locking position can only be set after the pin has been disengaged.  
Special grips can be fitted on the projecting threaded pin. This pin is also suitable for automatic actuation by e.g. program controlled pneumatic cylinder or by remote control using bowden cables.  
Instead of a wrench, a knurled installation tool is used to screw in these plungers. The carrier pins on the tool engage the slot in the plunger body.

**On request:**

Special versions.

## Indexing Plungers

without collar



## KIPP Indexing Plungers, without collar, threaded pin, steel, locking pin hardened, metric

Item No. Style J	Item No. Style K	D	D1	D2	L	L1	L2	H	SW	Fx30°	Spring force initial pressure F1 approx. N	Spring force final pressure F2 approx. N	Item No. installation tool
K0345.1903	K0345.2903	3	M6x0,75	M2	24	17	3,5	3,5	-/10	0,8	4,5	10	K0344.99
K0345.1004	K0345.2004	4	M8x1	M3	32	21	7	4	-/13	1	6	12	K0344.90
K0345.1105	K0345.2105	5	M10x1	M4	37	24	8	5	-/17	1,3	5	12	K0344.91
K0345.1206	K0345.2206	6	M12x1,5	M6	42	28	8	6	-/19	1,8	6	14	K0344.92
K0345.1308	K0345.2308	8	M16x1,5	M8	56	36	12	8	-/24	2,3	15	35	K0344.93
K0345.1410	K0345.2410	10	M20x1,5	M8	62	40	12	10	-/30	2,8	15	34	K0344.94
K0345.1412	K0345.2412	12	M20x1,5	M8	66	42	12	12	-/30	2,8	15	39	K0344.94
K0345.1516	K0345.2516	16	M24x2	M10	80	50	14	16	-/36	3,2	20	46	K0344.95

## KIPP Indexing Plungers, without collar, threaded pin, stainless steel, locking pin hardened, metric

Item No. Style J	Item No. Style K	D	D1	D2	L	L1	L2	H	SW	Fx30°	Spring force initial pressure F1 approx. N	Spring force final pressure F2 approx. N	Item No. installation tool
K0345.01903	K0345.02903	3	M6x0,75	M2	24	17	3,5	3,5	-/10	0,8	4,5	10	K0344.99
K0345.01004	K0345.02004	4	M8x1	M3	32	21	7	4	-/13	1	6	12	K0344.90
K0345.01105	K0345.02105	5	M10x1	M4	37	24	8	5	-/17	1,3	5	12	K0344.91
K0345.01206	K0345.02206	6	M12x1,5	M6	42	28	8	6	-/19	1,8	6	14	K0344.92
K0345.01308	K0345.02308	8	M16x1,5	M8	56	36	12	8	-/24	2,3	15	35	K0344.93
K0345.01410	K0345.02410	10	M20x1,5	M8	62	40	12	10	-/30	2,8	15	34	K0344.94
K0345.01412	K0345.02412	12	M20x1,5	M8	66	42	12	12	-/30	2,8	15	39	K0344.94
K0345.01516	K0345.02516	16	M24x2	M10	80	50	14	16	-/36	3,2	20	46	K0344.95

## KIPP Indexing Plungers, without collar, threaded pin, stainless steel, locking pin not hardened, metric

Item No. Style J	Item No. Style K	D	D1	D2	L	L1	L2	H	SW	Fx30°	Spring force initial pressure F1 approx. N	Spring force final pressure F2 approx. N	Item No. installation tool
K0345.11903	K0345.12903	3	M6x0,75	M2	24	17	3,5	3,5	-/10	0,8	4,5	10	K0344.99
K0345.11004	K0345.12004	4	M8x1	M3	32	21	7	4	-/13	1	6	12	K0344.90
K0345.11105	K0345.12105	5	M10x1	M4	37	24	8	5	-/17	1,3	5	12	K0344.91
K0345.11206	K0345.12206	6	M12x1,5	M6	42	28	8	6	-/19	1,8	6	14	K0344.92
K0345.11308	K0345.12308	8	M16x1,5	M8	56	36	12	8	-/24	2,3	15	35	K0344.93
K0345.11410	K0345.12410	10	M20x1,5	M8	62	40	12	10	-/30	2,8	15	34	K0344.94
K0345.11412	K0345.12412	12	M20x1,5	M8	66	42	12	12	-/30	2,8	15	39	K0344.94
K0345.11516	K0345.12516	16	M24x2	M10	80	50	14	16	-/36	3,2	20	46	K0344.95

## Precision Indexing Plungers

with tapered pins



**Material:**

Steel, grip ball thermoplastic

**Type:**

Hardened and ground, grip ball black gray

**Part Number Example:**

K0359.010

**Note:**

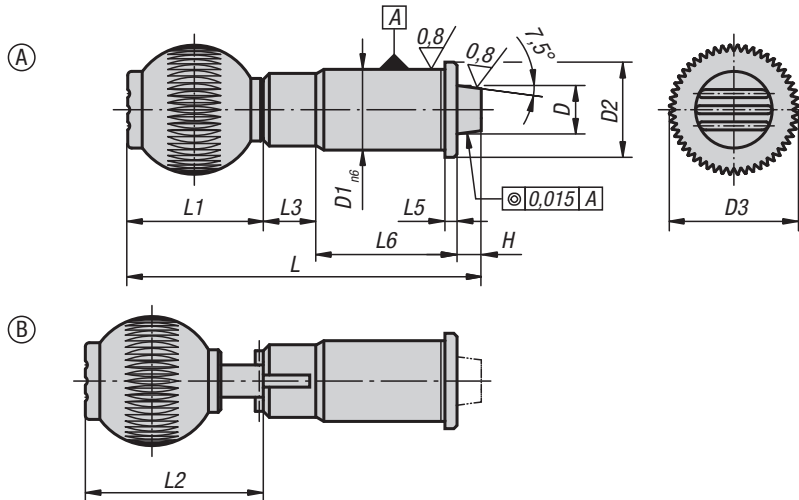
The Indexing Plungers with bushings are a perfect combination for rapid positioning and locking. The precise design of both the Indexing Plunger and the bushing guarantees high repeat accuracy when assembling two elements.

For technical information see assembly and installation instructions.

**Drawing reference:**

Style A: standard version

Style B: lock-out version



### KIPP Precision Indexing Plungers with tapered pins, metric

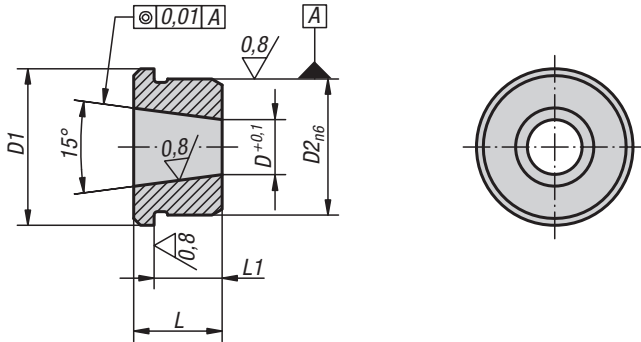
Item No. Style A	Item No. Style B	D	D1	D2	D3	H	L	L1	L2	L3	L5	L6	Spring force initial pressure F1 approx. N	Spring force final pressure F2 approx. N	Internal thread Grip Ball
K0359.010	K0359.110	10	16	19	25	6	75	25	-/30,5	13	2,5	31	19	29	M6
K0359.012	K0359.112	12	20	23	32	6	87	33	-/40,5	13	3	35	22	35	M8
K0359.016	K0359.116	16	25	28	40	6	102,5	41,5	-/49	13	3	42	30	50	M10
K0359.020	K0359.120	20	30	33	40	6	110,5	41,5	-/49	13	3	50	46	63	M10
K0359.025	K0359.125	25	38	42	50	6	130	51	-/58,5	13	3	60	39	73	M10



## Tapered Bushings



METRIC  
Parts



**Material:**

Steel.

**Type:**

Hardened and ground.

**Part Number Example:**

K0360.10

**Note:**

Bushings for Precision Indexing Plungers K0359.

### KIPP Tapered Bushings, metric

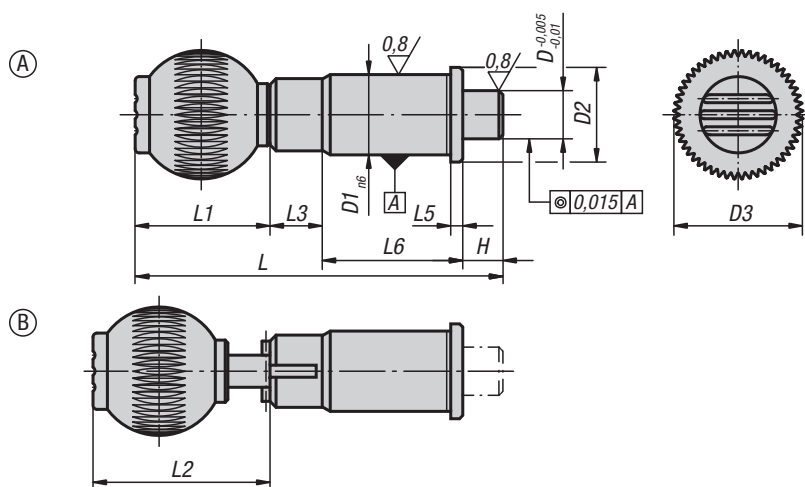
Item No.	D	D1	D2	L	L1
K0360.10	7,1	19	16	11	8,5
K0360.12	8,28	23	20	13	10
K0360.16	11,52	28	25	17	14
K0360.20	15,49	33	30	16	13
K0360.25	19,7	42	38	19	16

## Precision Indexing Plungers

with cylindrical pins



METRIC  
Parts



**Material:**

Steel, grip ball thermoplastic

**Type:**

Hardened and ground, grip ball black gray

**Part Number Example:**

K0361.010

**Note:**

The Indexing Plungers with bushings are a perfect combination for rapid positioning and locking. The precise design of both the Indexing Plunger and the bushing guarantees high repeat accuracy when assembling two elements.

For technical information see assembly and installation instructions.

**Drawing reference:**

Style A: standard version

Style B: lock-out version

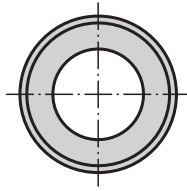
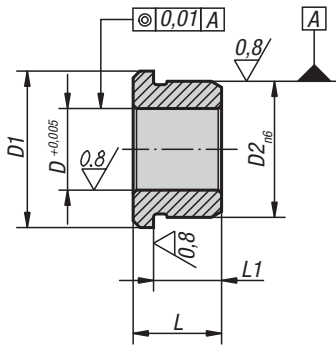
### KIPP Precision Indexing Plungers with cylindrical pins, metric

Item No. Style A	Item No. Style B	D	D1	D2	D3	H	L	L1	L2	L3	L5	L6	Spring force initial pressure F1 approx. N	Spring force final pressure F2 approx. N	Internal thread Grip Ball
K0361.010	K0361.110	10	16	19	25	10	79	25	-/36,5	13	2,5	31	15	30	M6
K0361.012	K0361.112	12	20	23	32	10	91	33	-/44,5	13	3	35	15	35	M8
K0361.016	K0361.116	16	25	28	40	10	106,5	41,5	-/53	13	3	42	20	50	M10
K0361.020	K0361.120	20	30	33	40	10	114,5	41,5	-/53	13	3	50	36	63	M10
K0361.025	K0361.125	25	38	42	50	10	134	51	-/62,5	13	3	60	20	73	M10

## Cylindrical Bushings



METRIC  
Parts

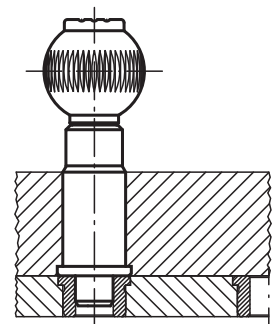


**Material:**  
Steel.

**Type:**  
Hardened and ground.

**Part Number Example:**  
K0362.10

**Note:**  
Bushings for Precision Indexing Plungers K0361.



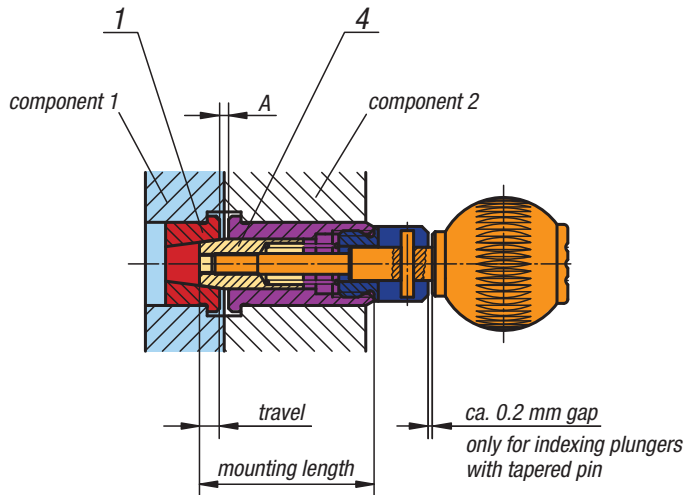
### KIPP Cylindrical Bushings, metric

Item No.	D	D1	D2	L	L1
K0362.10	10	19	16	11	8,5
K0362.12	12	23	20	13	10
K0362.16	16	28	25	17	14
K0362.20	20	33	30	16	13
K0362.25	25	42	38	19	16

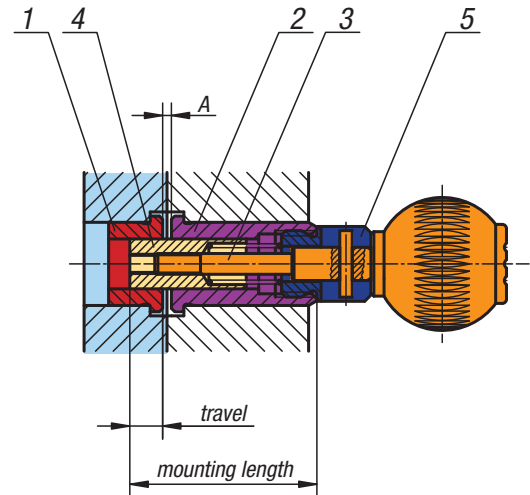
# Assembly and Installation Instructions for Precision Indexing Plungers



**Precision Indexing Plungers  
with tapered pin**



**Precision Indexing Plungers  
with cylindrical pin**



**Assembly Instructions:**

1. Fit tapered or cylindrical bushing (1) into "component 1".
2. Mount sleeve (2) into "component 2".
3. Determine mounting length (actual dimension). Mounting length =  $A + \text{travel} + \text{length of sleeve 2}$ . Models with tapered pin should have a 0.2 mm gap.
4. Glue screw (3) and centering pin (4) together with anaerobic adhesive. We recommend Loctite 638.
5. Screw centering pin with nut (4) and handle into the mounted sleeve (2). If necessary glue together with anaerobic adhesive.
6. Check whether the product is operational. Keep to the index travel length given in the catalog.

**Note:**  
The Precision Indexing Plunger is only ready for operation after the stated adhesive hardening time. When gluing the components, ensure that no adhesive comes into contact with movable parts.

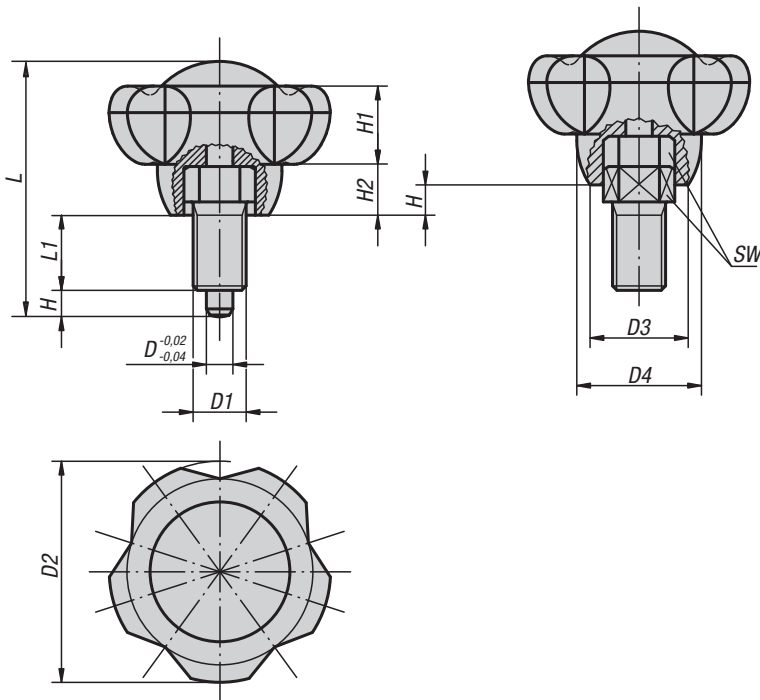


## Indexing Plungers

lock and clamp



INCH Parts  
METRIC Parts



These indexing plungers enable indexing and clamping with a single component. Especially useful for telescopic adjustments, enabling them to be positioned and clamped quickly, precisely and simply.

**Material:**

Knob, thermoplastic  
Indexing pin and screw steel quality class 5.8.

**Type:**

Lower grip black-gray.  
Indexing pin and screw black oxide finish.  
Indexing pin hardened and ground.

**Part Number Example:**

K0245.1105AL6 (cap color traffic red)  
Δ Add the desired cap color here.  
No color code is required for black-gray caps.

**Note:**

For the inch series, dimension D1 is in inches, all other dimensions are in mm.



### KIPP Indexing Plungers, inch

Item No.	D	D1	D2	D3	D4	H	H1	H2	L	L1	SW
K0245.1105ALΔ	5	3/8-24	50	22,2	28,2	5	17,8	11,5	52,8	13	13
K0245.1206A5Δ	6	1/2-13	50	22,2	28,2	6	17,8	11,5	57,8	17	14
K0245.1308A6Δ	8	5/8-11	63	28	35,5	8	22,5	14,5	74	22	19
K0245.1410A7Δ	10	3/4-10	63	28	35,5	10	22,5	14,5	78	24	22

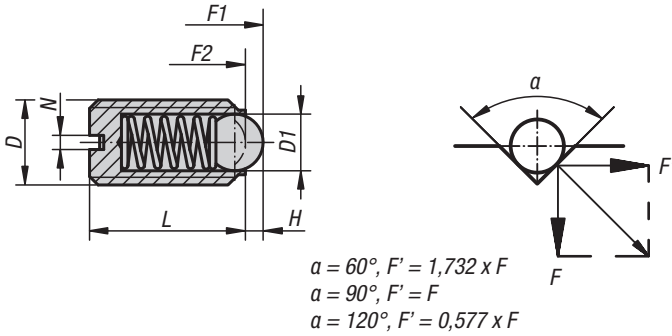
### KIPP Indexing Plungers, metric

Item No.	D	D1	D2	D3	D4	H	H1	H2	L	L1	SW
K0245.1105Δ	5	M10x1	50	22,2	28,2	5	17,8	11,5	52,8	13	13
K0245.1206Δ	6	M12x1,5	50	22,2	28,2	6	17,8	11,5	57,8	17	14
K0245.13085Δ	8	M16x1,5	63	28	35,5	8	22,5	14,5	74	22	19
K0245.1410Δ	10	M20x1,5	63	28	35,5	10	22,5	14,5	78	24	22

## Spring Plungers

ball style, slotted, steel

INCH Parts    METRIC Parts



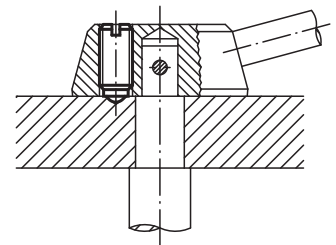
**Material:**  
 Body steel quality class 5.8.  
 Ball steel.  
 Spring Class D steel wire.

**Type:**  
 Black oxide finish.  
 Ball hardened.

**Part Number Example:**  
 K0309.AD

**Note:**  
 For the inch series, dimension D is in inches,  
 all other dimensions are in mm.

handle indexing



### KIPP Spring Plungers, ball style, slotted, steel, standard end pressure, inch

Item No.	D	D1	L	H	N	Spring force initial pressure F1 approx. N	Spring force final pressure F2 approx. N
K0309.AD	6-32	1,5	7	0.4	0,4	1.5	3
K0309.AG	8-36	2,5	9	0.8	0,6	4	10
K0309.AE	8-32	2,5	9	0.8	0,6	4	10
K0309.A1	10-32	3	12	0.9	0,8	6	11
K0309.AJ	1/4-28	3.5	14	1	1	9	13
K0309.A2	1/4-20	3.5	14	1	1	9	13
K0309.A3	5/16-18	5	16	1.5	1,2	15	30
K0309.A4	3/8-16	6	19	2	1,6	20	35
K0309.A5	1/2-13	8	22	2.5	2	30	55
K0309.A6	5/8-11	10	24	3.5	2,5	65	125

# Spring Plungers

ball style, slotted, steel

## KIPP Spring Plungers, ball style, slotted, steel, heavy end pressure, inch

Item No.	D	D1	L	H	N	Spring force initial pressure F1 approx. N	Spring force final pressure F2 approx. N
K0309.2A1	10-32	3	12	0.9	0,8	19	30
K0309.2AJ	1/4-28	3.5	14	1	1	28	40
K0309.2A2	1/4-20	3.5	14	1	1	28	40
K0309.2A3	5/16-18	5	16	1.5	1.2	47	73
K0309.2A4	3/8-16	6	19	2	1,6	66	100
K0309.2A5	1/2-13	8	22	2.5	2	66	120
K0309.2A6	5/8-11	10	24	3.5	2,5	90	180

## KIPP Spring Plungers, ball style, slotted, steel, standard end pressure, metric

Item No.	D	D1	L	H	N	Spring force initial pressure F1 approx. N	Spring force final pressure F2 approx. N
K0309.03	M3	1,5	7	0,4	0,4	1,5	3
K0309.04	M4	2,5	9	0,8	0,6	4	10
K0309.05	M5	3	12	0,9	0,8	6	11
K0309.06	M6	3,5	14	1	1	9	13
K0309.08	M8	5	16	1,5	1,2	15	30
K0309.10	M10	6	19	2	1,6	20	35
K0309.12	M12	8	22	2,5	2	30	55
K0309.16	M16	10	24	3,5	2,5	65	125
K0309.20	M20	12	30	4,5	2,5	80	160

## KIPP Spring Plungers, ball style, slotted, steel, heavy end pressure, metric

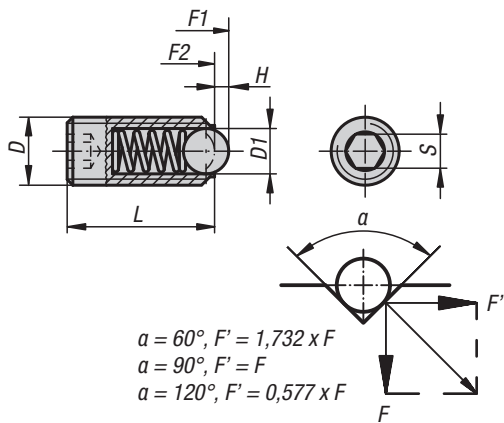
Item No.	D	D1	L	H	N	Spring force initial pressure F1 approx. N	Spring force final pressure F2 approx. N
K0309.203	M3	1,5	7	0,4	0,4	5	7
K0309.204	M4	2,5	9	0,8	0,6	12	22
K0309.205	M5	3	12	0,9	0,8	19	30
K0309.206	M6	3,5	14	1	1	28	40
K0309.208	M8	5	16	1,5	1,2	47	73
K0309.210	M10	6	19	2	1,6	66	100
K0309.212	M12	8	22	2,5	2	66	120
K0309.216	M16	10	24	3,5	2,5	90	180
K0309.220	M20	12	30	4,5	2,5	115	240

## Spring Plungers

ball style, hexagon socket, steel



INCH Parts    METRIC Parts



**Material:**

Body steel quality class 5.8.  
 Ball steel.  
 Spring Class D steel wire.

**Type:**

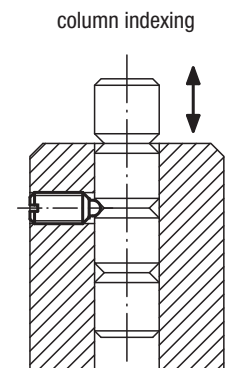
Black oxide finish.  
 Ball hardened.

**Part Number Example:**

K0315.AJ

**Note:**

For the inch series, dimension D and S are in inches, all other dimensions are in mm.



**KIPP Spring Plungers, ball style, hexagon socket, steel, standard end pressure, inch**

Item No.	D	D1	H	L	S	Spring force initial pressure F1 approx. N	Spring force final pressure F2 approx. N
K0315.AJ	1/4-28	3.5	1	15	1/8	9	13
K0315.A2	1/4-20	3.5	1	15	1/8	9	13
K0315.A3	5/16-18	5	1.5	18	5/32	15	30
K0315.A4	3/8-16	6	2	23	3/16	20	35
K0315.A5	1/2-13	8	2.5	26	7/32	30	55
K0315.A6	5/8-11	10	3.5	33	5/16	65	125



# Spring Plungers

ball style, hexagon socket, steel

## KIPP Spring Plungers, ball style, hexagon socket, steel, heavy end pressure, inch

Item No.	D	D1	H	L	S	Spring force initial pressure F1 approx. N	Spring force final pressure F2 approx. N
K0315.2AJ	1/4-28	3.5	1	15	1/8	28	40
K0315.2A2	1/4-20	3.5	1	15	1/8	28	40
K0315.2A3	5/16-18	5	1.5	18	5/32	47	73
K0315.2A4	3/8-16	6	2	23	3/16	66	100
K0315.2A5	1/2-13	8	2.5	26	7/32	66	120
K0315.2A6	5/8-11	10	3.5	33	5/16	90	180

## KIPP Spring Plungers, ball style, hexagon socket, steel, standard end pressure, metric

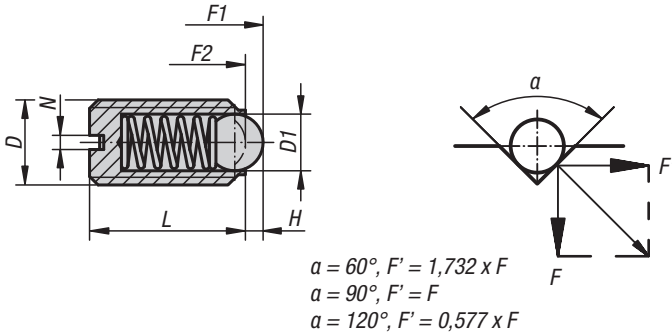
Item No.	D	D1	H	L	S	Spring force initial pressure F1 approx. N	Spring force final pressure F2 approx. N
K0315.03	M3	1,5	0,4	9	1,5	1,5	3
K0315.04	M4	2,5	0,8	10	2	4	10
K0315.05	M5	3	0,9	14	2,5	6	11
K0315.06	M6	3,5	1	15	3	9	13
K0315.08	M8	5	1,5	18	4	15	30
K0315.10	M10	6	2	23	5	20	35
K0315.12	M12	8	2,5	26	6	30	55
K0315.16	M16	10	3,5	33	8	65	125
K0315.20	M20	12	4,5	43	10	80	160
K0315.24	M24	15	5,5	48	12	90	180

## KIPP Spring Plungers, ball style, hexagon socket, steel, heavy end pressure, metric

Item No.	D	D1	H	L	S	Spring force initial pressure F1 approx. N	Spring force final pressure F2 approx. N
K0315.203	M3	1,5	0,4	9	1,5	5	7
K0315.204	M4	2,5	0,8	10	2	12	22
K0315.205	M5	3	0,9	14	2,5	19	30
K0315.206	M6	3,5	1	15	3	28	40
K0315.208	M8	5	1,5	18	4	47	73
K0315.210	M10	6	2	23	5	66	100
K0315.212	M12	8	2,5	26	6	66	120
K0315.216	M16	10	3,5	33	8	90	180
K0315.220	M20	12	4,5	43	10	115	240
K0315.224	M24	15	5,5	48	12	130	270

## Spring Plungers

ball style, slotted, stainless steel



**Material:**

Body stainless steel 1.4305 (AISI 303 equivalent).  
 Ball stainless steel 1.4034 (AISI 420 equivalent).  
 Spring stainless steel wire 1.4310 (AISI 310 equivalent).

**Type:**

Bright.  
 Ball hardened.

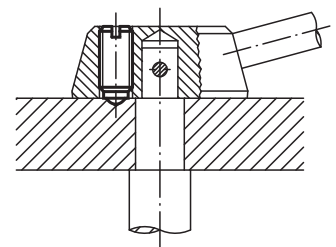
**Part Number Example:**

K0310.AD

**Note:**

For the inch series, dimension D is in inches, all other dimensions are in mm.

handle indexing



**KIPP Spring Plungers, ball style, slotted, stainless steel, standard end pressure, inch**

Item No.	D	D1	L	H	N	Spring force initial pressure F1 approx. N	Spring force final pressure F2 approx. N
K0310.AD	6-32	1,5	7	0,4	0,4	1,5	3
K0310.AG	8-36	2,5	9	0,8	0,6	4	10
K0310.AE	8-32	2,5	9	0,8	0,6	4	10
K0310.A1	10-32	3	12	0,9	0,8	6	11
K0310.AJ	1/4-28	3,5	14	1	1	9	13
K0310.A2	1/4-20	3,5	14	1	1	9	13
K0310.A3	5/16-18	5	16	1,5	1,2	15	30
K0310.A4	3/8-16	6	19	2	1,6	20	35
K0310.A5	1/2-13	8	22	2,5	2	30	55
K0310.A6	5/8-11	10	24	3,5	2,5	65	125

# Spring Plungers

ball style, slotted, stainless steel

## KIPP Spring Plungers, ball style, slotted, stainless steel, heavy end pressure, inch

Item No.	D	D1	L	H	N	Spring force initial pressure F1 approx. N	Spring force final pressure F2 approx. N
K0310.2A1	10-32	3	12	0.9	0,8	19	30
K0310.2AJ	1/4-28	3.5	14	1	1	28	40
K0310.2A2	1/4-20	3.5	14	1	1	28	40
K0310.2A3	5/16-18	5	16	1.5	1.2	47	73
K0310.2A4	3/8-16	6	19	2	1,6	66	100
K0310.2A5	1/2-13	8	22	2.5	2	66	120
K0310.2A6	5/8-11	10	24	3.5	2,5	90	180

## KIPP Spring Plungers, ball style, slotted, stainless steel, standard end pressure, metric

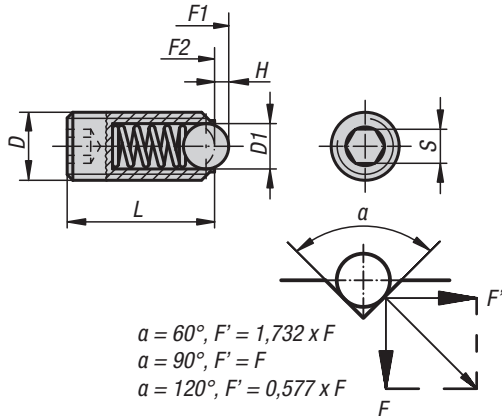
Item No.	D	D1	L	H	N	Spring force initial pressure F1 approx. N	Spring force final pressure F2 approx. N
K0310.03	M3	1,5	7	0,4	0,4	1,5	3
K0310.04	M4	2,5	9	0,8	0,6	4	10
K0310.05	M5	3	12	0,9	0,8	6	11
K0310.06	M6	3,5	14	1	1	9	13
K0310.08	M8	5	16	1,5	1,2	15	30
K0310.10	M10	6	19	2	1,6	20	35
K0310.12	M12	8	22	2,5	2	30	55
K0310.16	M16	10	24	3,5	2,5	65	125
K0310.20	M20	12	30	4,5	2,5	80	160

## KIPP Spring Plungers, ball style, slotted, stainless steel, heavy end pressure, metric

Item No.	D	D1	L	H	N	Spring force initial pressure F1 approx. N	Spring force final pressure F2 approx. N
K0310.203	M3	1,5	7	0,4	0,4	5	7
K0310.204	M4	2,5	9	0,8	0,6	12	22
K0310.205	M5	3	12	0,9	0,8	19	30
K0310.206	M6	3,5	14	1	1	28	40
K0310.208	M8	5	16	1,5	1,2	47	73
K0310.210	M10	6	19	2	1,6	66	100
K0310.212	M12	8	22	2,5	2	66	120
K0310.216	M16	10	24	3,5	2,5	90	180
K0310.220	M20	12	30	4,5	2,5	115	240

## Spring Plungers

ball style, hexagon socket, stainless steel



**Material:**

Body stainless steel 1.4305 (AISI 303 equivalent).  
 Ball stainless steel 1.4034 (AISI 420 equivalent).  
 Spring stainless steel wire 1.4310 (AISI 310 equivalent).

**Type:**

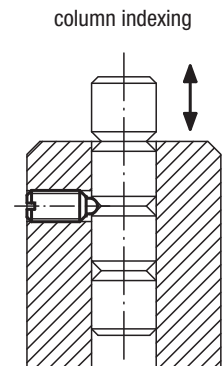
Bright.  
 Ball hardened.

**Part Number Example:**

K0316.210

**Note:**

For the inch series, dimension D and S are in inches, all other dimensions are in mm.



**KIPP Spring Plungers, ball style, hexagon socket, stainless steel, standard end pressure, inch**

Item No.	D	D1	H	L	S	Spring force initial pressure F1 approx. N	Spring force final pressure F2 approx. N
K0316.AJ	1/4-28	3.5	1	15	1/8	9	13
K0316.A2	1/4-20	3.5	1	15	1/8	9	13
K0316.A3	5/16-18	5	1.5	18	5/32	15	30
K0316.A4	3/8-16	6	2	23	3/16	20	35
K0316.A5	1/2-13	8	2.5	26	7/32	30	55
K0316.A6	5/8-11	10	3.5	33	5/16	65	125

# Spring Plungers

ball style, hexagon socket, stainless steel

## KIPP Spring Plungers, ball style, hexagon socket, stainless steel, heavy end pressure, inch

Item No.	D	D1	H	L	S	Spring force initial pressure F1 approx. N	Spring force final pressure F2 approx. N
K0316.2AJ	1/4-28	3.5	1	15	1/8	28	40
K0316.2A2	1/4-20	3.5	1	15	1/8	28	40
K0316.2A3	5/16-18	5	1.5	18	5/32	47	73
K0316.2A4	3/8-16	6	2	23	3/16	66	100
K0316.2A5	1/2-13	8	2.5	26	7/32	66	120
K0316.2A6	5/8-11	10	3.5	33	5/16	90	180

## KIPP Spring Plungers, ball style, hexagon socket, stainless steel, standard end pressure, metric

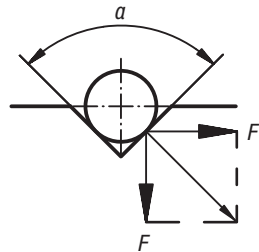
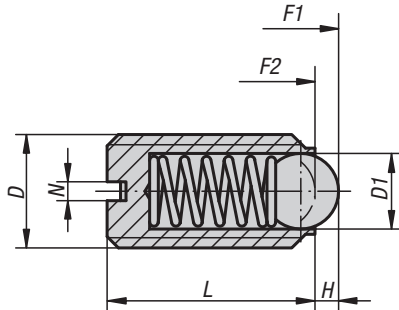
Item No.	D	D1	H	L	S	Spring force initial pressure F1 approx. N	Spring force final pressure F2 approx. N
K0316.03	M3	1,5	0,4	9	1,5	1,5	3
K0316.04	M4	2,5	0,8	10	2	4	10
K0316.05	M5	3	0,9	14	2,5	6	11
K0316.06	M6	3,5	1	15	3	9	13
K0316.08	M8	5	1,5	18	4	15	30
K0316.10	M10	6	2	23	5	20	35
K0316.12	M12	8	2,5	26	6	30	55
K0316.16	M16	10	3,5	33	8	65	125
K0316.20	M20	12	4,5	43	10	80	160
K0316.24	M24	15	5,5	48	12	90	180

## KIPP Spring Plungers, ball style, hexagon socket, stainless steel, heavy end pressure, metric

Item No.	D	D1	H	L	S	Spring force initial pressure F1 approx. N	Spring force final pressure F2 approx. N
K0316.203	M3	1,5	0,4	9	1,5	5	7
K0316.204	M4	2,5	0,8	10	2	12	22
K0316.205	M5	3	0,9	14	2,5	19	30
K0316.206	M6	3,5	1	15	3	28	40
K0316.208	M8	5	1,5	18	4	47	73
K0316.210	M10	6	2	23	5	66	100
K0316.212	M12	8	2,5	26	6	66	120
K0316.216	M16	10	3,5	33	8	90	180
K0316.220	M20	12	4,5	43	10	115	240
K0316.224	M24	15	5,5	48	12	130	270

## Spring Plungers

ceramic ball, slotted, stainless steel



$$\begin{aligned}
 \alpha = 60^\circ, F' &= 1,732 \times F \\
 \alpha = 90^\circ, F' &= F \\
 \alpha = 120^\circ, F' &= 0,577 \times F
 \end{aligned}$$

**Material:**

Body stainless steel 1.4305  
(AISI 303 equivalent).  
Ceramic ball  $\text{Si}_3\text{N}_4$ .  
Spring stainless steel wire 1.4310  
(AISI 310 equivalent).

**Type:**

Bright.

**Part Number Example:**

K0609.05

**Note:**

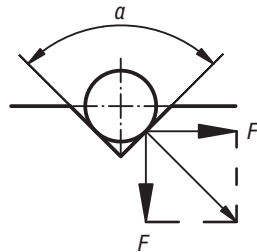
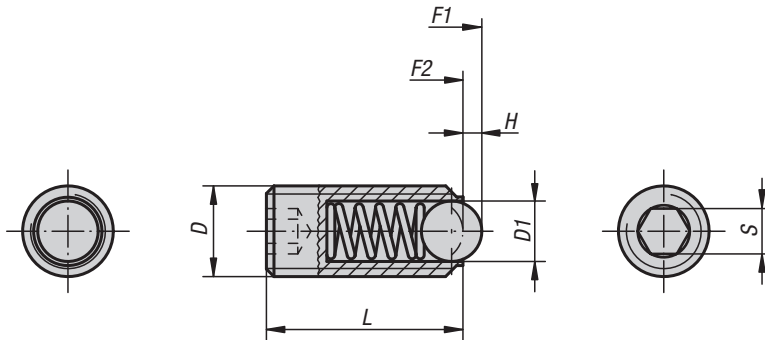
The combination of excellent material properties is a special feature of silicon nitride ( $\text{Si}_3\text{N}_4$ ). These include high resilience and stability, excellent wear properties and good chemical resistance.

**KIPP Spring Plungers ceramic ball, slotted, stainless steel, metric**

Item No.	D	D1	H	L	N	Spring force initial pressure F1 approx. N	Spring force final pressure F2 approx. N
K0609.05	M5	3	0,9	12	0,8	6	11
K0609.06	M6	3,5	1	14	1	9	13
K0609.08	M8	5	1,5	16	1,2	15	30
K0609.10	M10	6	2	19	1,6	20	35
K0609.12	M12	8	2,5	22	2	30	55
K0609.16	M16	10	3,5	24	2,5	65	125

## Spring Plungers

with hexagon socket and ceramic ball, stainless steel



$$a = 60^\circ, F' = 1,732 \times F$$

$$a = 90^\circ, F' = F$$

$$a = 120^\circ, F' = 0,577 \times F$$

**Material:**

Body stainless steel 1.4305  
(AISI 303 equivalent).

Ceramic ball  $Si_3N_4$ .

Spring stainless steel wire 1.4310  
(AISI 310 equivalent).

**Type:**

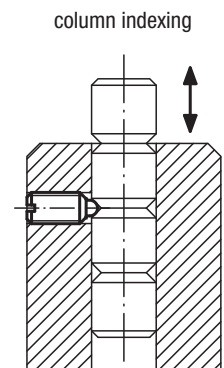
Bright.

**Part Number Example:**

K0610.05

**Note:**

The combination of excellent material properties is a special feature of silicon nitride ( $Si_3N_4$ ). These include high resilience and stability, excellent wear properties and good chemical resistance.



**KIPP Spring Plungers with hexagon socket and ceramic ball, stainless steel, metric**

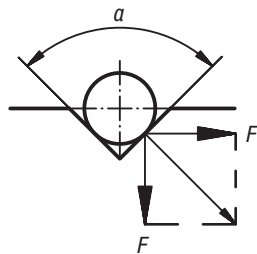
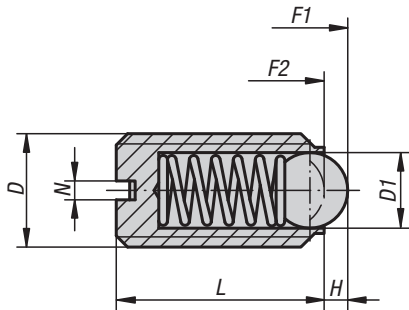
Item No.	D	D1	H	L	S	Spring force initial pressure F1 approx. N	Spring force final pressure F2 approx. N
K0610.05	M5	3	0,9	14	2,5	6	11
K0610.06	M6	3,5	1	15	3	9	13
K0610.08	M8	5	1,5	18	4	15	30
K0610.10	M10	6	2	23	5	20	35
K0610.12	M12	8	2,5	26	6	30	55
K0610.16	M16	10	3,5	33	8	65	125

## Spring plungers

plastic, slotted, POM ball

METRIC  
Parts

New Item



$$a = 60^\circ, F' = 1,732 \times F$$

$$a = 90^\circ, F' = F$$

$$a = 120^\circ, F' = 0,577 \times F$$

**Material:**

Body plastic.  
Ball POM.  
Spring stainless steel 1.4310  
(AISI 310 equivalent) wire.

**Type:**

Ball, white.

**Part Number Example:**

K0311.10

**Note:**

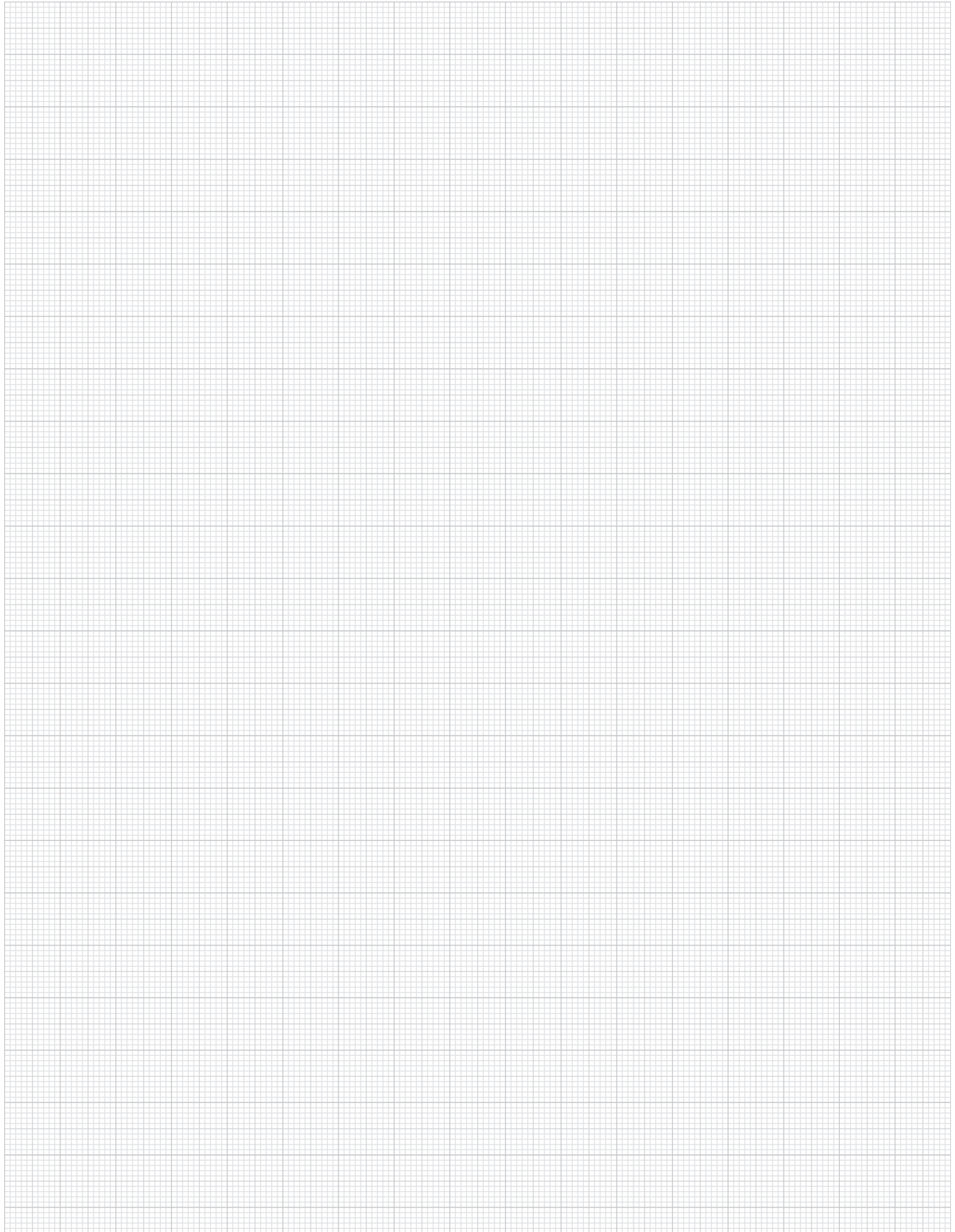
Spring Plungers are used for indexing and positioning.  
They can also be used as ejectors.

### KIPP Spring plungers with slot and POM ball, plastic

Item No.	D	D1	H	L	N	Spring force initial pressure F1 approx. N	Spring force final pressure F2 approx. N
K0311.06	M6	3,5	1	14	1	9	13
K0311.08	M8	5	1,5	16	1,2	15	30
K0311.10	M10	6	2	19	1,6	20	40



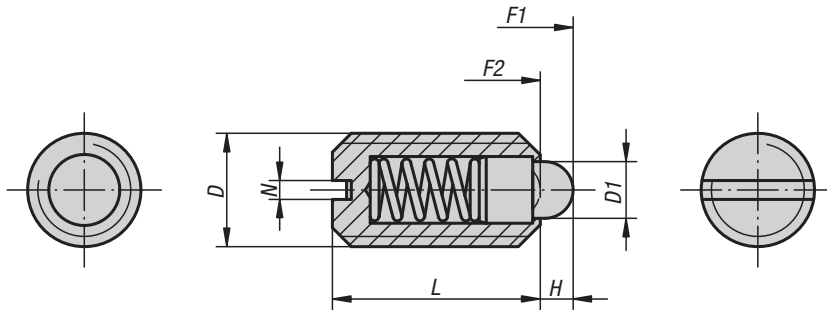
Notes:



## Spring Plungers

pin style, slotted, steel

INCH Parts    METRIC Parts



**Material:**

Body steel quality class 5.8.  
Thrust pin steel.  
Spring Class D steel wire.

**Type:**

Black oxide finish.  
Thrust pin hardened.

**Part Number Example:**

K0313.AG

**Note:**

For the inch series, dimension D is in inches, all other dimensions are in mm.

**KIPP Spring Plungers, pin style, slotted, steel, standard end pressure, inch**

Item No.	D	D1	H	L	N	Spring force initial pressure F1 approx. N	Spring force final pressure F2 approx. N
K0313.AG	8-36	1,8	1.5	9	0,6	6	20
K0313.AE	8-32	1,8	1.5	9	0,6	6	20
K0313.A1	10-32	2,4	2	12	0,8	6	20
K0313.AJ	1/4-28	2,7	2	14	1	7	20
K0313.A2	1/4-20	2,7	2	14	1	7	20
K0313.A3	5/16-18	4	2	16	1.2	15	30
K0313.A4	3/8-16	4.5	2.5	19	1,6	20	35
K0313.A5	1/2-13	6	3.5	22	2	30	55
K0313.A6	5/8-11	8.5	4.5	24	2,5	45	100

## Spring Plungers

pin style, slotted, steel



## KIPP Spring Plungers, pin style, slotted, steel, light end pressure, inch

Item No.	D	D1	H	L	N	Spring force initial pressure F1 approx. N	Spring force final pressure F2 approx. N
K0313.1AG	8-36	1,8	1.5	9	0,6	2	7
K0313.1AE	8-32	1,8	1.5	9	0,6	3	10
K0313.1A1	10-32	2,4	2	12	0,8	3	10
K0313.1AJ	1/4-28	2,7	2	14	1	3	9
K0313.1A2	1/4-20	2,7	2	14	1	4	10
K0313.1A3	5/16-18	4	2	16	1,2	7	15
K0313.1A4	3/8-16	4,5	2,5	19	1,6	9	16
K0313.1A5	1/2-13	6	3,5	22	2	14	26
K0313.1A6	5/8-11	8,5	4,5	24	2,5	22	50

## KIPP Spring Plungers, pin style, slotted, steel, standard end pressure, metric

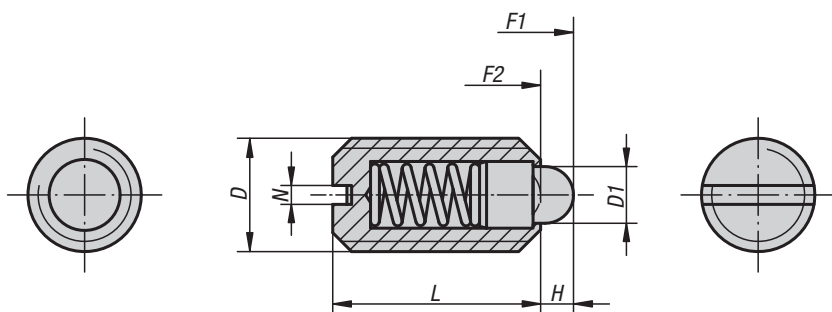
Item No.	D	D1	H	L	N	Spring force initial pressure F1 approx. N	Spring force final pressure F2 approx. N
K0313.04	M4	1,8	1,5	9	0,6	6	20
K0313.05	M5	2,4	2	12	0,8	6	20
K0313.06	M6	2,7	2	14	1	7	20
K0313.08	M8	4	2	16	1,2	15	30
K0313.10	M10	4,5	2,5	19	1,6	20	35
K0313.12	M12	6	3,5	22	2	30	55
K0313.16	M16	8,5	4,5	24	2,5	45	100
K0313.20	M20	10	6,5	30	2,5	60	120

## KIPP Spring Plungers, pin style, slotted, steel, light end pressure, metric

Item No.	D	D1	H	L	N	Spring force initial pressure F1 approx. N	Spring force final pressure F2 approx. N
K0313.104	M4	1,8	1,5	9	0,6	3	10
K0313.105	M5	2,4	2	12	0,8	3	10
K0313.106	M6	2,7	2	14	1	4	10
K0313.108	M8	4	2	16	1,2	7	15
K0313.110	M10	4,5	2,5	19	1,6	9	16
K0313.112	M12	6	3,5	22	2	14	26
K0313.116	M16	8,5	4,5	24	2,5	22	50
K0313.120	M20	10	6,5	30	2,5	30	60

## Spring Plungers

pin style, slotted, stainless steel



**Material:**

Body stainless steel 1.4305  
(AISI 303 equivalent).  
Thrust pin stainless steel 1.4034  
(AISI 420 equivalent).  
Spring stainless steel 1.4310  
(AISI 310 equivalent).

**Type:**

Bright.  
Thrust pin hardened.

**Part Number Example:**

K0314.AG

**Note:**

For the inch series, dimension D is in inches,  
all other dimensions are in mm.

**KIPP Spring Plungers, pin style, slotted, stainless steel, standard end pressure, inch**

Item No.	D	D1	H	L	N	Spring force initial pressure F1 approx. N	Spring force final pressure F2 approx. N
K0314.AG	8-36	1,8	1.5	9	0,6	6	20
K0314.AE	8-32	1,8	1.5	9	0,6	6	20
K0314.A1	10-32	2,4	2	12	0,8	6	20
K0314.AJ	1/4-28	2,7	2	14	1	7	20
K0314.A2	1/4-20	2,7	2	14	1	7	20
K0314.A3	5/16-18	4	2	16	1.2	15	30
K0314.A4	3/8-16	4.5	2.5	19	1,6	20	35
K0314.A5	1/2-13	6	3.5	22	2	30	55
K0314.A6	5/8-11	8.5	4.5	24	2,5	45	100

# Spring Plungers

pin style, slotted, stainless steel



## KIPP Spring Plungers, pin style, slotted, stainless steel, light end pressure, inch

Item No.	D	D1	H	L	N	Spring force initial pressure F1 approx. N	Spring force final pressure F2 approx. N
K0314.1AG	8-36	1,8	1.5	9	0,6	2	7
K0314.1AE	8-32	1,8	1.5	9	0,6	3	10
K0314.1A1	10-32	2,4	2	12	0,8	3	10
K0314.1AJ	1/4-28	2,7	2	14	1	3	9
K0314.1A2	1/4-20	2,7	2	14	1	4	10
K0314.1A3	5/16-18	4	2	16	1.2	7	15
K0314.1A4	3/8-16	4.5	2.5	19	1.6	9	16
K0314.1A5	1/2-13	6	3.5	22	2	14	26
K0314.1A6	5/8-11	8.5	4.5	24	2,5	22	50

## KIPP Spring Plungers, pin style, slotted, stainless steel, standard end pressure, metric

Item No.	D	D1	H	L	N	Spring force initial pressure F1 approx. N	Spring force final pressure F2 approx. N
K0314.04	M4	1,8	1,5	9	0,6	6	20
K0314.05	M5	2,4	2	12	0,8	6	20
K0314.06	M6	2,7	2	14	1	7	20
K0314.08	M8	4	2	16	1,2	15	30
K0314.10	M10	4,5	2,5	19	1,6	20	35
K0314.12	M12	6	3,5	22	2	30	55
K0314.16	M16	8,5	4,5	24	2,5	45	100
K0314.20	M20	10	6,5	30	2,5	60	120

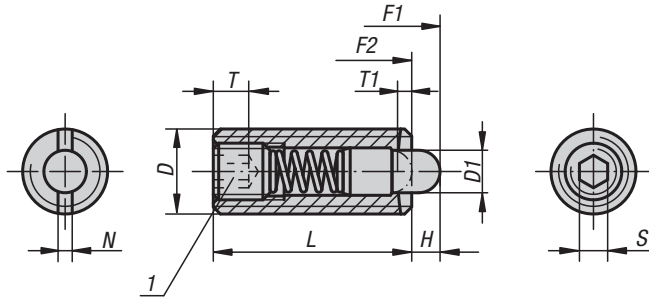
## KIPP Spring Plungers, pin style, slotted, stainless steel, light end pressure, metric

Item No.	D	D1	H	L	N	Spring force initial pressure F1 approx. N	Spring force final pressure F2 approx. N
K0314.104	M4	1,8	1,5	9	0,6	3	10
K0314.105	M5	2,4	2	12	0,8	3	10
K0314.106	M6	2,7	2	14	1	4	10
K0314.108	M8	4	2	16	1,2	7	15
K0314.110	M10	4,5	2,5	19	1,6	9	16
K0314.112	M12	6	3,5	22	2	14	26
K0314.116	M16	8,5	4,5	24	2,5	22	50
K0314.120	M20	10	6,5	30	2,5	30	60

# Spring Plungers

pin style, hexagon socket, steel pin

INCH  
Parts



**Material:**

Body steel quality class 5.8.  
Thrust pin steel.  
Spring Class D steel wire.

**Type:**

Black oxide finish.  
Thrust pin hardened.

**Part Number Example:**

K0317.AD

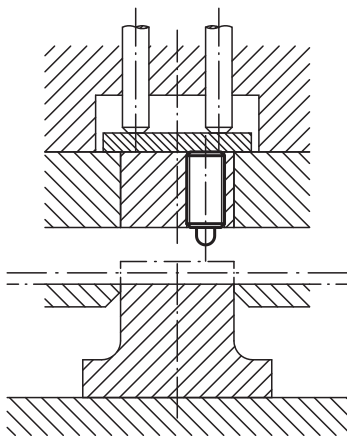
**Note:**

For the inch series, dimension D and S are in inches, all other dimensions are in mm.

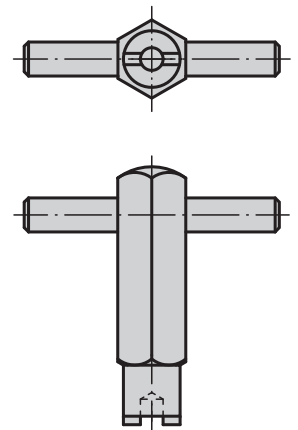
**Drawing reference:**

1) grub screw glued in

application example



Installation tool



# Spring Plungers

pin style, hexagon socket, steel pin

## KIPP Spring Plungers, pin style, hexagon socket, steel pin, standard end pressure, inch

Item No.	D	D1	H	L	T	T1	N	S	Spring force initial pressure F1 approx. N	Spring force final pressure F2 approx. N	Item No. Installation tool
K0317.AD	6-32	1	1.5	10	1,5	1	0,4	0,035	0.5	3	K0317.903
K0317.AG	8-36	1,5	1.5	15	2	0,6	0,6	0,050	5	16	K0317.904
K0317.AE	8-32	1,5	1.5	15	2	0,6	0,6	0,050	5	16	K0317.904
K0317.A1	10-32	2,4	2.3	18	2	0,8	0,8	1/16	6	20	K0317.905
K0317.AJ	1/4-28	2,7	2.5	20	2.5	1	1	5/64	7	20	K0317.906
K0317.A2	1/4-20	2,7	2.5	20	2.5	1	1	5/64	7	20	K0317.906
K0317.A3	5/16-18	3.5	3	22	3	1,4	1.2	3/32	9	35	K0317.908
K0317.A4	3/8-16	4	3	22	3.5	1,4	1,6	1/8	9	35	K0317.910
K0317.A5	1/2-13	6	4	28	5	2	2	5/32	12	55	K0317.912
K0317.A6	5/8-11	7.5	5	32	6	2.5	2,5	3/16	45	100	K0317.916

## KIPP Spring Plungers, pin style, hexagon socket, steel pin, light end pressure, inch

Item No.	D	D1	H	L	T	T1	N	S	Spring force initial pressure F1 approx. N	Spring force final pressure F2 approx. N	Item No. Installation tool
K0317.1AG	8-36	1,5	1.5	15	2	0,6	0,6	0,050	2	7	K0317.904
K0317.1AE	8-32	1,5	1.5	15	2	0,6	0,6	0,050	2	7	K0317.904
K0317.1A1	10-32	2,4	2.3	18	2	0,8	0,8	1/16	3	10	K0317.905
K0317.1AJ	1/4-28	2,7	2.5	20	2.5	1	1	5/64	3	9	K0317.906
K0317.1A2	1/4-20	2,7	2.5	20	2.5	1	1	5/64	3	9	K0317.906
K0317.1A3	5/16-18	3.5	3	22	3	1,4	1.2	3/32	4	16	K0317.908
K0317.1A4	3/8-16	4	3	22	3.5	1,4	1,6	1/8	4	16	K0317.910
K0317.1A5	1/2-13	6	4	28	5	2	2	5/32	5	27	K0317.912
K0317.1A6	5/8-11	7.5	5	32	6	2.5	2,5	3/16	20	45	K0317.916

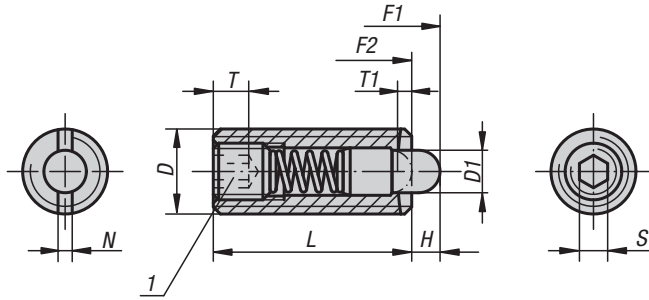
## KIPP Spring Plungers, pin style, hexagon socket, steel pin, heavy end pressure, inch

Item No.	D	D1	H	L	T	T1	N	S	Spring force initial pressure F1 approx. N	Spring force final pressure F2 approx. N	Item No. Installation tool
K0317.2A1	10-32	2,4	2.3	18	2	0,8	0,8	1/16	11	29	K0317.905
K0317.2AJ	1/4-28	2,7	2.5	20	2.5	1	1	5/64	14	37	K0317.906
K0317.2A2	1/4-20	2,7	2.5	20	2.5	1	1	5/64	14	37	K0317.906
K0317.2A3	5/16-18	3.5	3	22	3	1,4	1.2	3/32	22	65	K0317.908
K0317.2A4	3/8-16	4	3	22	3.5	1,4	1,6	1/8	19	70	K0317.910
K0317.2A5	1/2-13	6	4	28	5	2	2	5/32	25	85	K0317.912
K0317.2A6	5/8-11	7.5	5	32	6	2.5	2,5	3/16	60	150	K0317.916

# Spring Plungers

pin style, hexagon socket, steel pin

METRIC  
Parts



**Material:**

Body steel quality class 5.8.  
Thrust pin steel.  
Spring Class D steel wire.

**Type:**

Black oxide finish.  
Thrust pin hardened.

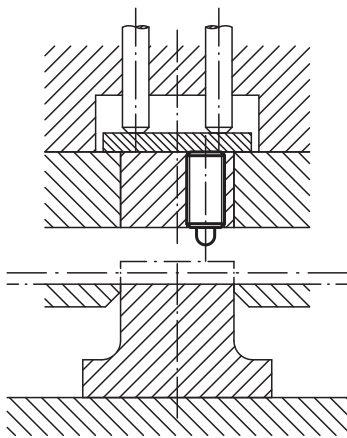
**Part Number Example:**

K0317.03

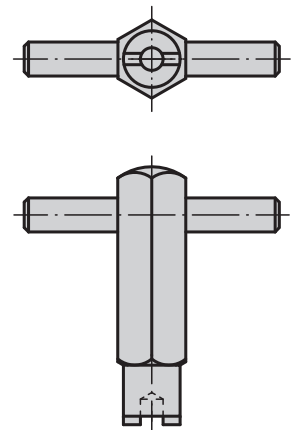
**Drawing reference:**

1) grub screw glued in

application example



Installation tool





# Spring Plungers

pin style, hexagon socket, steel pin

## KIPP Spring Plungers, pin style, hexagon socket, steel pin, standard end pressure, metric

Item No.	D	D1	H	L	T	T1	N	S	Spring force initial pressure F1 approx. N	Spring force final pressure F2 approx. N	Item No. Installation tool
K0317.03	M3	1	1,5	10	1,5	1	0,4	0,7	0,5	3	K0317.903
K0317.04	M4	1,5	1,5	15	2	0,6	0,6	1,3	5	16	K0317.904
K0317.05	M5	2,4	2,3	18	2	0,8	0,8	1,5	6	20	K0317.905
K0317.06	M6	2,7	2,5	20	2,5	1	1	2	7	20	K0317.906
K0317.08	M8	3,5	3	22	3	1,4	1,2	2,5	9	35	K0317.908
K0317.10	M10	4	3	22	3,5	1,4	1,6	3	9	35	K0317.910
K0317.12	M12	6	4	28	5	2	2	4	12	55	K0317.912
K0317.16	M16	7,5	5	32	6	2,5	2,5	5	45	100	K0317.916
K0317.20	M20	10	7	40	8	3	2,5	6	60	120	-
K0317.24	M24	12	10	52	10	3	2,5	8	80	160	-

## KIPP Spring Plungers, pin style, hexagon socket, steel pin, light end pressure, metric

Item No.	D	D1	H	L	T	T1	N	S	Spring force initial pressure F1 approx. N	Spring force final pressure F2 approx. N	Item No. Installation tool
K0317.104	M4	1,5	1,5	15	2	0,6	0,6	1,3	2	7	K0317.904
K0317.105	M5	2,4	2,3	18	2	0,8	0,8	1,5	3	10	K0317.905
K0317.106	M6	2,7	2,5	20	2,5	1	1	2	3	9	K0317.906
K0317.108	M8	3,5	3	22	3	1,4	1,2	2,5	4	16	K0317.908
K0317.110	M10	4	3	22	3,5	1,4	1,6	3	4	16	K0317.910
K0317.112	M12	6	4	28	5	2	2	4	5	27	K0317.912
K0317.116	M16	7,5	5	32	6	2,5	2,5	5	20	45	K0317.916

## KIPP Spring Plungers, pin style, hexagon socket, steel pin, heavy end pressure, metric

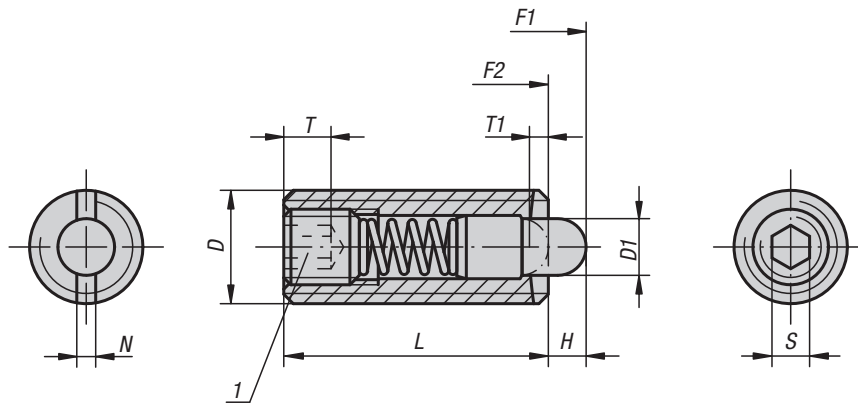
Item No.	D	D1	H	L	T	T1	N	S	Spring force initial pressure F1 approx. N	Spring force final pressure F2 approx. N	Item No. Installation tool
K0317.205	M5	2,4	2,3	18	2	0,8	0,8	1,5	11	29	K0317.905
K0317.206	M6	2,7	2,5	20	2,5	1	1	2	14	37	K0317.906
K0317.208	M8	3,5	3	22	3	1,4	1,2	2,5	22	65	K0317.908
K0317.210	M10	4	3	22	3,5	1,4	1,6	3	19	70	K0317.910
K0317.212	M12	6	4	28	5	2	2	4	25	85	K0317.912
K0317.216	M16	7,5	5	32	6	2,5	2,5	5	60	150	K0317.916
K0317.220	M20	10	7	40	8	3	2,5	6	75	190	-
K0317.224	M24	12	10	52	10	3	2,5	8	95	240	-

## Spring Plungers

pin style, hexagon socket, plastic pin



INCH Parts    METRIC Parts



**Material:**  
 Body steel quality class 5.8.  
 Thrust pin POM.  
 Spring Class D steel wire.

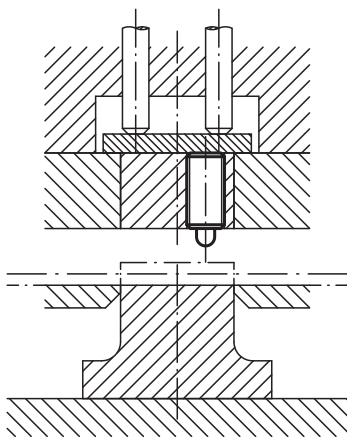
**Type:**  
 Black oxide finish.

**Part Number Example:**  
 K0318.AD

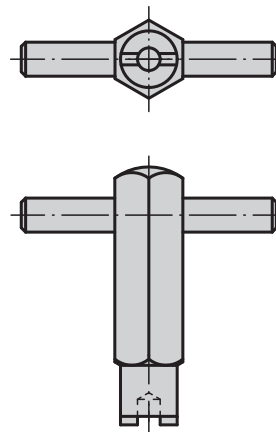
**Note:**  
 For the inch series, dimension D and S are in inches, all other dimensions are in mm.

**Drawing reference:**  
 1) grub screw glued in

application example



Installation tool



### KIPP Spring Plungers, pin style, hexagon socket, plastic pin, standard end pressure, inch

Item No.	D	D1	H	L	T	T1	N	S	Spring force initial pressure F1 approx. N	Spring force final pressure F2 approx. N	Item No. Installation tool
K0318.AD	6-32	1	1.5	10	1,5	1	0,4	0,035	.5	3	K0317.903
K0318.AG	8-36	1,5	1.5	15	2	0,6	0,6	0,050	5	16	K0317.904
K0318.AE	8-32	1,5	1.5	15	2	0,6	0,6	0,050	5	16	K0317.904
K0318.A1	10-32	2,4	2.3	18	2	0,8	0,8	1/16	6	20	K0317.905
K0318.AJ	1/4-28	2,7	2.5	20	2.5	1	1	5/64	7	20	K0317.906
K0318.A2	1/4-20	2,7	2.5	20	2.5	1	1	5/64	7	20	K0317.906
K0318.A3	5/16-18	3.5	3	22	3	1,4	1.2	3/32	9	35	K0317.908
K0318.A4	3/8-16	4	3	22	3.5	1,4	1,6	1/8	9	35	K0317.910
K0318.A5	1/2-13	6	4	28	5	2	2	5/32	12	55	K0317.912
K0318.A6	5/8-11	7.5	5	32	6	2.5	2,5	3/16	45	100	K0317.916

# Spring Plungers

pin style, hexagon socket, plastic pin

## KIPP Spring Plungers, pin style, hexagon socket, plastic pin, light end pressure, inch

Item No.	D	D1	H	L	T	T1	N	S	Spring force initial pressure F1 approx. N	Spring force final pressure F2 approx. N	Item No. Installation tool
K0318.1AG	8-36	1,5	1.5	15	2	0,6	0,6	0,050	2	7	K0317.904
K0318.1AE	8-32	1,5	1.5	15	2	0,6	0,6	0,050	2	7	K0317.904
K0318.1A1	10-32	2,4	2.3	18	2	0,8	0,8	1/16	3	10	K0317.905
K0318.1AJ	1/4-28	2,7	2.5	20	2.5	1	1	5/64	3	9	K0317.906
K0318.1A2	1/4-20	2,7	2.5	20	2.5	1	1	5/64	3	9	K0317.906
K0318.1A3	5/16-18	3.5	3	22	3	1,4	1.2	3/32	4	16	K0317.908
K0318.1A4	3/8-16	4	3	22	3.5	1,4	1,6	1/8	4	16	K0317.910
K0318.1A5	1/2-13	6	4	28	5	2	2	5/32	5	27	K0317.912
K0318.1A6	5/8-11	7,5	5	32	6	2.5	2,5	3/16	20	45	K0317.916

## KIPP Spring Plungers, pin style, hexagon socket, plastic pin, standard end pressure, metric

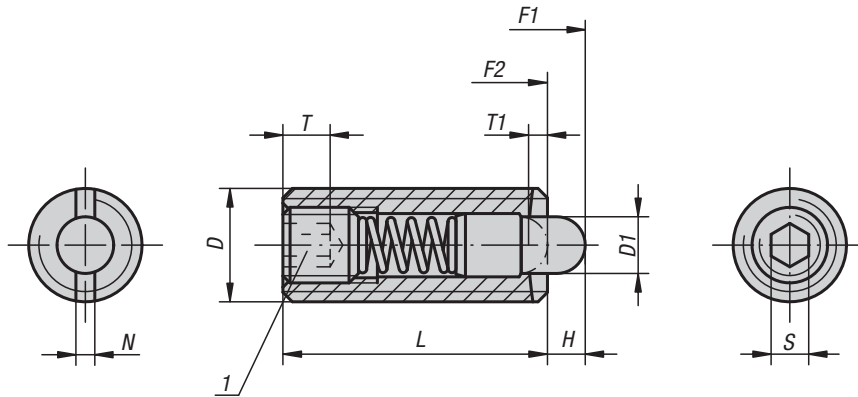
Item No.	D	D1	H	L	T	T1	N	S	Spring force initial pressure F1 approx. N	Spring force final pressure F2 approx. N	Item No. Installation tool
K0318.03	M3	1	1,5	10	1,5	1	0,4	0,7	0,5	3	K0317.903
K0318.04	M4	1,5	1,5	15	2	0,6	0,6	1,3	5	16	K0317.904
K0318.05	M5	2,4	2,3	18	2	0,8	0,8	1,5	6	20	K0317.905
K0318.06	M6	2,7	2,5	20	2,5	1	1	2	7	20	K0317.906
K0318.08	M8	3,5	3	22	3	1,4	1,2	2,5	9	35	K0317.908
K0318.10	M10	4	3	22	3,5	1,4	1,6	3	9	35	K0317.910
K0318.12	M12	6	4	28	5	2	2	4	12	55	K0317.912
K0318.16	M16	7,5	5	32	6	2,5	2,5	5	45	100	K0317.916

## KIPP Spring Plungers, pin style, hexagon socket, plastic pin, light end pressure, metric

Item No.	D	D1	H	L	T	T1	N	S	Spring force initial pressure F1 approx. N	Spring force final pressure F2 approx. N	Item No. Installation tool
K0318.104	M4	1,5	1,5	15	2	0,6	0,6	1,3	2	7	K0317.904
K0318.105	M5	2,4	2,3	18	2	0,8	0,8	1,5	3	10	K0317.905
K0318.106	M6	2,7	2,5	20	2,5	1	1	2	3	9	K0317.906
K0318.108	M8	3,5	3	22	3	1,4	1,2	2,5	4	16	K0317.908
K0318.110	M10	4	3	22	3,5	1,4	1,6	3	4	16	K0317.910
K0318.112	M12	6	4	28	5	2	2	4	5	27	K0317.912
K0318.116	M16	7,5	5	32	6	2,5	2,5	5	20	45	K0317.916

## Spring Plungers

pin style, hexagon socket, stainless steel body and pin



**Material:**

Body 1.4305 (AISI 303 equivalent).  
 Thrust pin 1.4034 (AISI 420 equivalent).  
 Spring 1.4310 (AISI 310 equivalent).

**Type:**

Bright.  
 Thrust pin hardened.

**Part Number Example:**

K0319.AG

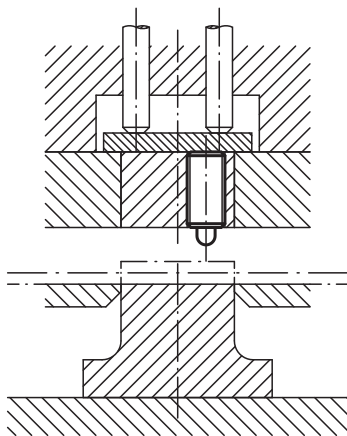
**Note:**

For the inch series, dimension D and S are in inches, all other dimensions are in mm.

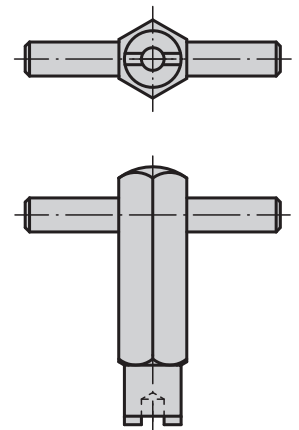
**Drawing reference:**

1) grub screw glued in

application example



Installation tool



# Spring Plungers

pin style, hexagon socket, stainless steel body and pin

## KIPP Spring Plungers, pin style, hexagon socket, stainless steel body and pin, standard end pressure, inch

Item No.	D	D1	H	L	T	T1	N	S	Spring force initial pressure F1 approx. N	Spring force final pressure F2 approx. N	Item No. Installation tool
K0319.AG	8-36	1,5	1.5	15	2	0,6	0,6	0,050	5	16	K0317.904
K0319.AE	8-32	1,5	1.5	15	2	0,6	0,6	0,050	5	16	K0317.904
K0319.A1	10-32	2,4	2.3	18	2	0,8	0,8	1/16	5	17	K0317.905
K0319.AJ	1/4-28	2,7	2.5	20	2.5	1	1	5/64	6	17	K0317.906
K0319.A2	1/4-20	2,7	2.5	20	2.5	1	1	5/64	6	17	K0317.906
K0319.A3	5/16-18	3.5	3	22	3	1,4	1.2	3/32	7	29	K0317.908
K0319.A4	3/8-16	4	3	22	3.5	1,4	1,6	1/8	8	31	K0317.910
K0319.A5	1/2-13	6	4	28	5	2	2	5/32	10	47	K0317.912
K0319.A6	5/8-11	7.5	5	32	6	2.5	2,5	3/16	45	100	K0317.916

## KIPP Spring Plungers, pin style, hexagon socket, stainless steel body and pin, standard end pressure, metric

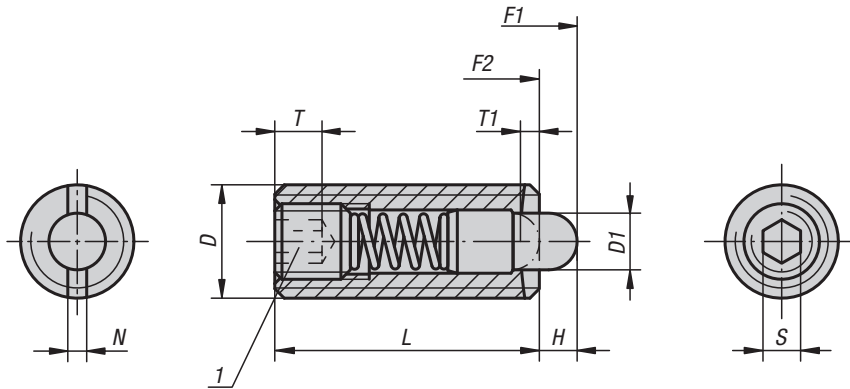
Item No.	D	D1	H	L	T	T1	N	S	Spring force initial pressure F1 approx. N	Spring force final pressure F2 approx. N	Item No. Installation tool
K0319.03	M3	1	1,5	10	1,5	1	0,4	0,7	0,4	2,5	K0317.903
K0319.04	M4	1,5	1,5	15	2	0,6	0,6	1,3	5	16	K0317.904
K0319.05	M5	2,4	2,3	18	2	0,8	0,8	1,5	5	17	K0317.905
K0319.06	M6	2,7	2,5	20	2,5	1	1	2	6	17	K0317.906
K0319.08	M8	3,5	3	22	3	1,4	1,2	2,5	7	29	K0317.908
K0319.10	M10	4	3	22	3,5	1,4	1,6	3	8	31	K0317.910
K0319.12	M12	6	4	28	5	2	2	4	10	47	K0317.912
K0319.16	M16	7,5	5	32	6	2,5	2,5	5	38	85	K0317.916

## KIPP Spring Plungers, pin style, hexagon socket, stainless steel body and pin, heavy end pressure, metric

Item No.	D	D1	H	L	T	T1	N	S	Spring force initial pressure F1 approx. N	Spring force final pressure F2 approx. N	Item No. Installation tool
K0319.205	M5	2,4	2,3	18	2	0,8	0,8	1,5	9	26	K0317.905
K0319.206	M6	2,7	2,5	20	2,5	1	1	2	11	35	K0317.906
K0319.208	M8	3,5	3	22	3	1,4	1,2	2,5	15	48	K0317.908
K0319.210	M10	4	3	22	3,5	1,4	1,6	3	15	58	K0317.910
K0319.212	M12	6	4	28	5	2	2	4	19	74	K0317.912

## Spring Plungers

pin style, hexagon socket, stainless steel body and POM pin



**Material:**

Body stainless steel 1.4305 (AISI 303 equivalent).

Thrust pin POM.

Spring stainless steel 1.4310 (AISI 310 equivalent).

**Type:**

Bright.

**Part Number Example:**

K0320.A6

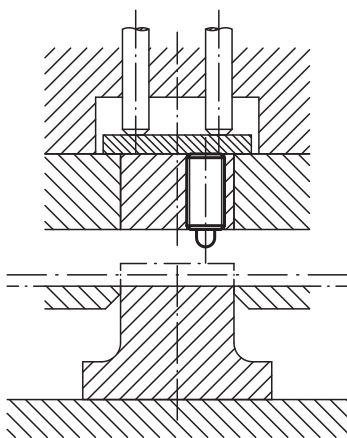
**Note:**

For the inch series, dimension D and S are in inches, all other dimensions are in mm.

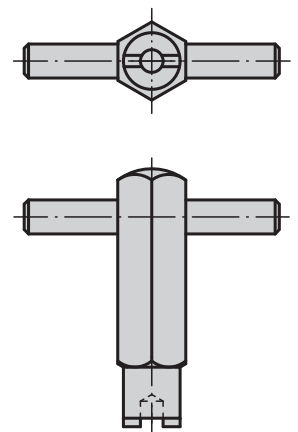
**Drawing reference:**

1) grub screw glued in

application example



Installation tool



# Spring Plungers

pin style, hexagon socket, stainless steel body and POM pin

## KIPP Spring Plungers, pin style, hexagon socket, stainless steel body, POM pin, standard end pressure, inch

Item No.	D	D1	H	L	T	T1	N	S	Spring force initial pressure F1 approx. N	Spring force final pressure F2 approx. N	Item No. Installation tool
K0320.AG	8-36	1,5	1,5	15	2	0,6	0,6	0,050	5	16	K0317.904
K0320.AE	8-32	1,5	1,5	15	2	0,6	0,6	0,050	5	16	K0317.904
K0320.A1	10-32	2,4	2,3	18	2	0,8	0,8	1/16	5	17	K0317.905
K0320.AJ	1/4-28	2,7	2,5	20	2,5	1	1	5/64	6	17	K0317.906
K0320.A2	1/4-20	2,7	2,5	20	2,5	1	1	5/64	6	17	K0317.906
K0320.A3	5/16-18	3,5	3	22	3	1,4	1,2	3/32	7	29	K0317.908
K0320.A4	3/8-16	4	3	22	3,5	1,4	1,6	1/8	8	31	K0317.910
K0320.A5	1/2-13	6	4	28	5	2	2	5/32	10	47	K0317.912
K0320.A6	5/8-11	7,5	5	32	6	2,5	2,5	3/16	45	100	K0317.916

## KIPP Spring Plungers, pin style, hexagon socket, stainless steel body, POM pin, standard end pressure, metric

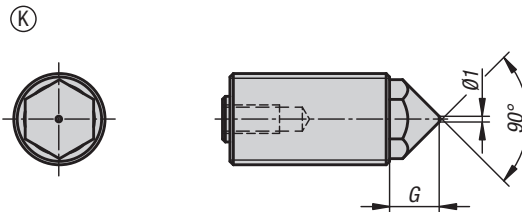
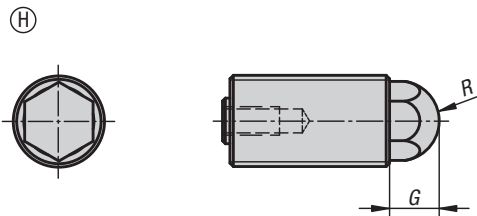
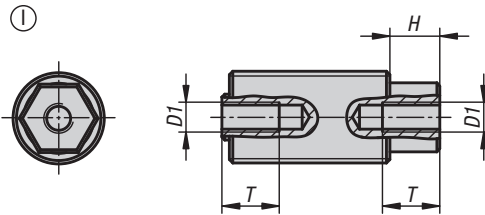
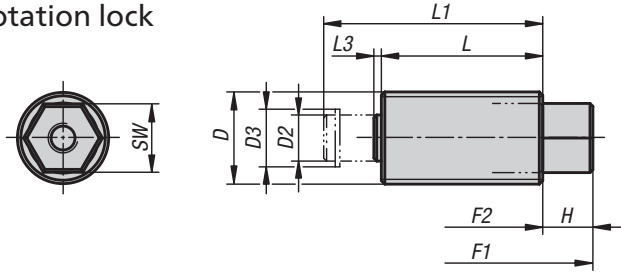
Item No.	D	D1	H	L	T	T1	N	S	Spring force initial pressure F1 approx. N	Spring force final pressure F2 approx. N	Item No. Installation tool
K0320.03	M3	1	1,5	10	1,5	1	0,4	0,7	0,5	3	K0317.903
K0320.04	M4	1,5	1,5	15	2	0,6	0,6	1,3	5	16	K0317.904
K0320.05	M5	2,4	2,3	18	2	0,8	0,8	1,5	5	17	K0317.905
K0320.06	M6	2,7	2,5	20	2,5	1	1	2	6	17	K0317.906
K0320.08	M8	3,5	3	22	3	1,4	1,2	2,5	7	29	K0317.908
K0320.10	M10	4	3	22	3,5	1,4	1,6	3	8	31	K0317.910
K0320.12	M12	6	4	28	5	2	2	4	10	47	K0317.912
K0320.16	M16	7,5	5	32	6	2,5	2,5	5	38	85	K0317.916

## Spring Plungers push-pull

with rotation lock



METRIC  
Parts



**Material:**  
Steel.

**Type:**  
Threaded body trivalent blue passivated.  
Threaded pin case-hardened, black oxide finish.  
Spring strength - standard or intensified.

**Part Number Example:**  
K0997.1112

**Note:**  
The push-pull spring plungers, also called two-way spring plungers, are used to engage, position or clamp various components. The hexagonal tapped pin which cannot rotate can be used for traction or thrust.

### KIPP Push-Pull spring plungers with rotation lock, metric

Item No.	Style	Spring strength	D	D1	D2	D3	F1 N	F2 N	H	L	L1	L3	R	SW	T min.
K0977.1112	I	Standard	M12x1,5	M4	5,5	6,78	16	38	6,12	20	27,5	1,38	-	8	8
K0977.1212	I	Intensified	M12x1,5	M4	5,5	6,78	20	60	6,12	20	27,5	1,38	-	8	8
K0977.1116	I	Standard	M16x1,5	M5	8	10	25	71	8,7	28	38	1,3	-	11	10
K0977.1216	I	Intensified	M16x1,5	M5	8	10	35	103	8,7	28	38	1,3	-	11	10
K0977.1120	I	Standard	M20x1,5	M6	10	12,2	40	140	10,3	34	47	2,7	-	14	12
K0977.1220	I	Intensified	M20x1,5	M6	10	12,2	60	175	10,3	34	47	2,7	-	14	12
K0977.2112	H	Standard	M12x1,5	M4	5,5	6,78	16	38	6,12	20	27,5	1,38	5,5	8	8
K0977.2212	H	Intensified	M12x1,5	M4	5,5	6,78	20	60	6,12	20	27,5	1,38	5,5	8	8
K0977.2116	H	Standard	M16x1,5	M5	8	10	25	71	8,7	28	38	1,3	7	11	10
K0977.2216	H	Intensified	M16x1,5	M5	8	10	35	103	8,7	28	38	1,3	7	11	10
K0977.2120	H	Standard	M20x1,5	M6	10	12,2	40	140	10,3	34	47	2,7	9	14	12
K0977.2220	H	Intensified	M20x1,5	M6	10	12,2	60	175	10,3	34	47	2,7	9	14	12
K0977.3112	K	Standard	M12x1,5	M4	5,5	6,78	16	38	6,12	20	27,5	1,38	-	8	8
K0977.3212	K	Intensified	M12x1,5	M4	5,5	6,78	20	60	6,12	20	27,5	1,38	-	8	8
K0977.3116	K	Standard	M16x1,5	M5	8	10	25	71	8,7	28	38	1,3	-	11	10
K0977.3216	K	Intensified	M16x1,5	M5	8	10	35	103	8,7	28	38	1,3	-	11	10
K0977.3120	K	Standard	M20x1,5	M6	10	12,2	40	140	10,3	34	47	2,7	-	14	12
K0977.3220	K	Intensified	M20x1,5	M6	10	12,2	60	175	10,3	34	47	2,7	-	14	12



# Spring Plungers with LONG-LOK thread lock

**FEATURING**  
**LONG-LOK**  
the most advanced  
thread locking  
system



## LONG-LOK Advantages:

### 1. Vibration Resistant

The integrated LONG-LOK thread lock secures Spring Plungers effectively and economically. No loosening or falling out after impacts or vibration.

### 2. Extremely High Loosening Torque

As LONG-LOK threads are screwed into a tapped hole, the Nylon insert is forced to expand, filling the gap formed by the play between the male and female thread and pushing the spring plunger against the thread flank. The resulting frictional resistance creates a higher loosening torque than most mechanical methods.

### 3. Secure in Every Position

The LONG-LOK thread lock does not require any previous preparation or positioning. This makes it ideal for when adjustments need to be made to the Spring Plunger.

### 4. Economical Installation and Cost

The LONG-LOK thread system does not require any additional loose components, reducing installation and storage costs.

### 5. For Repeated Use

When using the LONG-LOK system for the first time, it will require a slightly higher tightening torque. After repeated use, the torque value remains nearly constant for approximately 20 uses.

### 6. Wide variety of solutions

M3 to M16 or 6-32 to 5/8-11, light pressure to high pressure, steel or stainless steel, KIPP LONG-LOK Plungers will perform in any application.

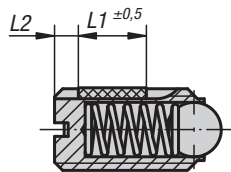
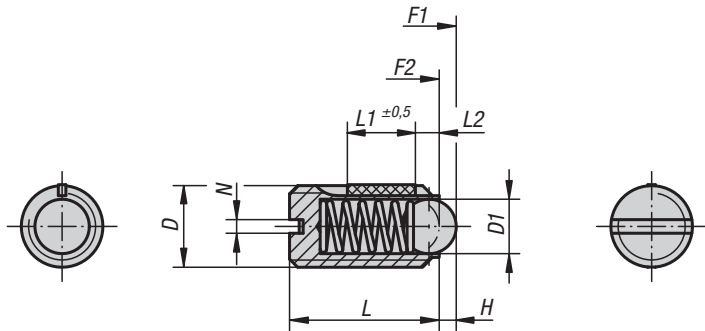


## Spring Plungers

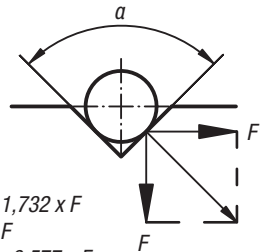
LONG-LOK, ball style, slotted, steel



INCH Parts  
METRIC Parts



D = M3, M4, M5, M6  
6-32, 8-36, 8-32, 10-32,  
1/4-28, 1/4-20



$a = 60^\circ, F' = 1,732 \times F$   
 $a = 90^\circ, F' = F$   
 $a = 120^\circ, F' = 0,577 \times F$

**Material:**

Body steel quality class 5.8.  
Ball steel.  
Spring Class D steel wire.

LONG-LOK thread lock Nylon.

**Type:**

Black oxide finish.  
Ball hardened.

**Part Number Example:**

K0321.AD

**Note:**

For the inch series, dimension D is in inches, all other dimensions are in mm.

**Drawing reference:**

L2 = approx. 2x thread pitch

**KIPP Spring Plungers, LONG-LOK, ball style, slotted, steel, standard end pressure, inch**

Item No.	D	D1	H	L	L1	N	Spring force initial pressure F1 approx. N	Spring force final pressure F2 approx. N	Tightening torque approx. Nm	Loosening torque approx. Nm
K0321.AD	6-32	1,5	0,4	7	4	0,4	1,5	3	0,1	0,07
K0321.AG	8-36	2,5	0,8	9	5	0,6	4	10	0,18	0,12
K0321.AE	8-32	2,5	0,8	9	5	0,6	4	10	0,18	0,12
K0321.A1	10-32	3	0,9	12	6	0,8	6	11	0,12	0,08
K0321.AJ	1/4-28	3,5	1	14	7	1	9	13	0,43	0,21
K0321.A2	1/4-20	3,5	1	14	7	1	9	13	0,43	0,21
K0321.A3	5/16-18	5	1,5	16	8	1,2	15	30	1,09	0,37
K0321.A4	3/8-16	6	2	19	9	1,6	20	35	1,36	0,62
K0321.A5	1/2-13	8	2,5	22	10	2	30	55	2,03	1,36
K0321.A6	5/8-11	10	3,5	24	14	2,5	65	125	3,95	2,95

# Spring Plungers

LONG-LOK, ball style, slotted, steel

## KIPP Spring Plungers, LONG-LOK, ball style, slotted, steel, heavy end pressure, inch

Item No.	D	D1	H	L	L1	N	Spring force initial pressure F1 approx. N	Spring force final pressure F2 approx. N	Tightening torque approx. Nm	Loosening torque approx. Nm
K0321.2A1	10-32	3	0,9	12	6	0,8	19	30	0,12	0,08
K0321.2AJ	1/4-28	3,5	1	14	7	1	28	40	0,43	0,21
K0321.2A2	1/4-20	3,5	1	14	7	1	28	40	0,43	0,21
K0321.2A3	5/16-18	5	1,5	16	8	1,2	47	73	1,09	0,37
K0321.2A4	3/8-16	6	2	19	9	1,6	66	100	1,36	0,62
K0321.2A5	1/2-13	8	2,5	22	10	2	66	120	2,03	1,36
K0321.2A6	5/8-11	10	3,5	24	14	2,5	90	180	3,95	2,95

## KIPP Spring Plungers, LONG-LOK, ball style, slotted, steel, standard end pressure, metric

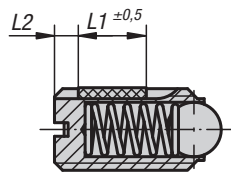
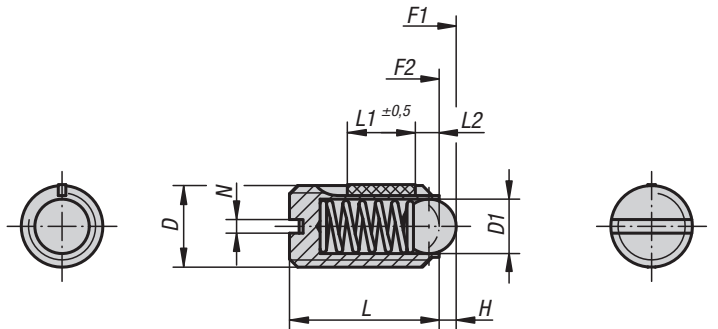
Item No.	D	D1	H	L	L1	N	Spring force initial pressure F1 approx. N	Spring force final pressure F2 approx. N	Tightening torque approx. Nm	Loosening torque approx. Nm
K0321.03	M3	1,5	0,4	7	4	0,4	1,5	3	0,1	0,07
K0321.04	M4	2,5	0,8	9	5	0,6	4	10	0,18	0,12
K0321.05	M5	3	0,9	12	6	0,8	6	11	0,12	0,08
K0321.06	M6	3,5	1	14	7	1	9	13	0,43	0,21
K0321.08	M8	5	1,5	16	8	1,2	15	30	1,09	0,37
K0321.10	M10	6	2	19	9	1,6	20	35	1,36	0,62
K0321.12	M12	8	2,5	22	10	2	30	55	2,03	1,36
K0321.16	M16	10	3,5	24	14	2,5	65	125	3,95	2,95

## KIPP Spring Plungers, LONG-LOK, ball style, slotted, steel, heavy end pressure, metric

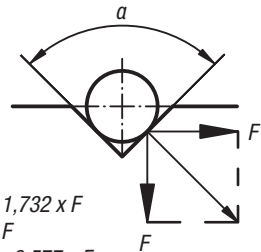
Item No.	D	D1	H	L	L1	N	Spring force initial pressure F1 approx. N	Spring force final pressure F2 approx. N	Tightening torque approx. Nm	Loosening torque approx. Nm
K0321.203	M3	1,5	0,4	7	4	0,4	5	7	0,1	0,07
K0321.204	M4	2,5	0,8	9	5	0,6	12	22	0,18	0,12
K0321.205	M5	3	0,9	12	6	0,8	19	30	0,12	0,08
K0321.206	M6	3,5	1	14	7	1	28	40	0,43	0,21
K0321.208	M8	5	1,5	16	8	1,2	47	73	1,09	0,37
K0321.210	M10	6	2	19	9	1,6	66	100	1,36	0,62
K0321.212	M12	8	2,5	22	10	2	66	120	2,03	1,36
K0321.216	M16	10	3,5	24	14	2,5	90	180	3,95	2,95

## Spring Plungers

LONG-LOK, ball style, slotted, stainless steel



D = M3, M4, M5, M6  
6-32, 8-36, 8-32, 10-32,  
1/4-28, 1/4-20



$\alpha = 60^\circ, F' = 1,732 \times F$   
 $\alpha = 90^\circ, F' = F$   
 $\alpha = 120^\circ, F' = 0,577 \times F$

**Material:**

Body stainless steel 1.4305  
(AISI 303 equivalent).  
Ball stainless steel 1.4034  
(AISI 420 equivalent).  
Spring stainless steel wire 1.4310  
(AISI 310 equivalent).

LONG-LOK thread lock Nylon.

**Type:**

Bright.  
Ball hardened.

**Part Number Example:**

K0322.AD

**Note:**

For the inch series, dimension D is in inches, all other dimensions are in mm.

**Drawing reference:**

L2 = approx. 2x thread pitch

**KIPP Spring Plungers, LONG-LOK, ball style, slotted, stainless steel, standard end pressure, inch**

Item No.	D	D1	H	L	L1	N	Spring force initial pressure F1 approx. N	Spring force final pressure F2 approx. N	Tightening torque approx. Nm	Loosening torque approx. Nm
K0322.AD	6-32	1,5	0,4	7	4	0,4	1,5	3	0,1	0,07
K0322.AG	8-36	2,5	0,8	9	5	0,6	4	10	0,18	0,12
K0322.AE	8-32	2,5	0,8	9	5	0,6	4	10	0,18	0,12
K0322.A1	10-32	3	0,9	12	6	0,8	6	11	0,12	0,08
K0322.AJ	1/4-28	3,5	1	14	7	1	9	13	0,43	0,21
K0322.A2	1/4-20	3,5	1	14	7	1	9	13	0,43	0,21
K0322.A3	5/16-18	5	1,5	16	8	1,2	15	30	1,09	0,37
K0322.A4	3/8-16	6	2	19	9	1,6	20	35	1,36	0,62
K0322.A5	1/2-13	8	2,5	22	10	2	30	55	2,03	1,36
K0322.A6	5/8-11	10	3,5	24	14	2,5	65	125	3,95	2,95

# Spring Plungers

LONG-LOK, ball style, slotted, stainless steel

## KIPP Spring Plungers, LONG-LOK, ball style, slotted, stainless steel, heavy end pressure, inch

Item No.	D	D1	H	L	L1	N	Spring force initial pressure F1 approx. N	Spring force final pressure F2 approx. N	Tightening torque approx. Nm	Loosening torque approx. Nm
K0322.2A1	10-32	3	0,9	12	6	0,8	19	30	0,12	0,08
K0322.2AJ	1/4-28	3,5	1	14	7	1	28	40	0,43	0,21
K0322.2A2	1/4-20	3,5	1	14	7	1	28	40	0,43	0,21
K0322.2A3	5/16-18	5	1,5	16	8	1,2	47	73	1,09	0,37
K0322.2A4	3/8-16	6	2	19	9	1,6	66	100	1,36	0,62
K0322.2A5	1/2-13	8	2,5	22	10	2	66	120	2,03	1,36
K0322.2A6	5/8-11	10	3,5	24	14	2,5	90	180	3,95	2,95

## KIPP Spring Plungers, LONG-LOK, ball style, slotted, stainless steel, standard end pressure, metric

Item No.	D	D1	H	L	L1	N	Spring force initial pressure F1 approx. N	Spring force final pressure F2 approx. N	Tightening torque approx. Nm	Loosening torque approx. Nm
K0322.03	M3	1,5	0,4	7	4	0,4	1,5	3	0,1	0,07
K0322.04	M4	2,5	0,8	9	5	0,6	4	10	0,18	0,12
K0322.05	M5	3	0,9	12	6	0,8	6	11	0,12	0,08
K0322.06	M6	3,5	1	14	7	1	9	13	0,43	0,21
K0322.08	M8	5	1,5	16	8	1,2	15	30	1,09	0,37
K0322.10	M10	6	2	19	9	1,6	20	35	1,36	0,62
K0322.12	M12	8	2,5	22	10	2	30	55	2,03	1,36
K0322.16	M16	10	3,5	24	14	2,5	65	125	3,95	2,95

## KIPP Spring Plungers, LONG-LOK, ball style, slotted, stainless steel, heavy end pressure, metric

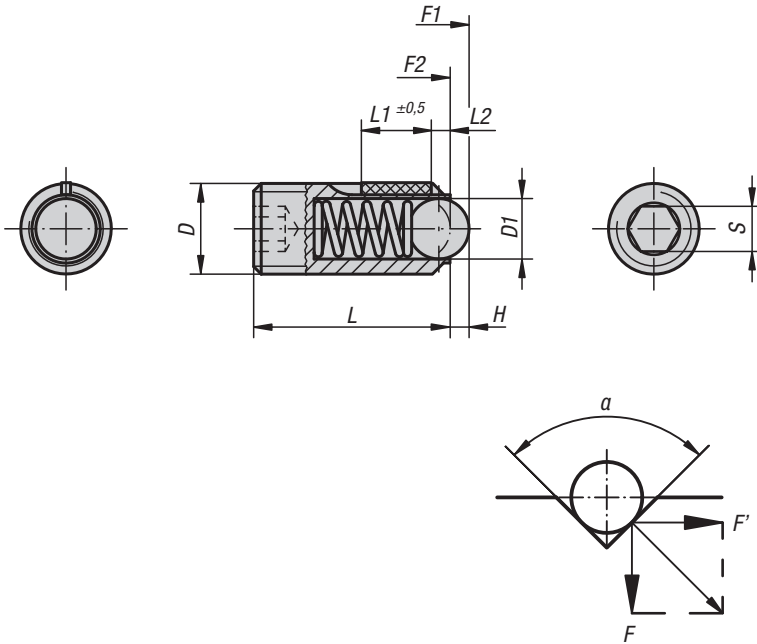
Item No.	D	D1	H	L	L1	N	Spring force initial pressure F1 approx. N	Spring force final pressure F2 approx. N	Tightening torque approx. Nm	Loosening torque approx. Nm
K0322.203	M3	1,5	0,4	7	4	0,4	5	7	0,1	0,07
K0322.204	M4	2,5	0,8	9	5	0,6	12	22	0,18	0,12
K0322.205	M5	3	0,9	12	6	0,8	19	30	0,12	0,08
K0322.206	M6	3,5	1	14	7	1	28	40	0,43	0,21
K0322.208	M8	5	1,5	16	8	1,2	47	73	1,09	0,37
K0322.210	M10	6	2	19	9	1,6	66	100	1,36	0,62
K0322.212	M12	8	2,5	22	10	2	66	120	2,03	1,36
K0322.216	M16	10	3,5	24	14	2,5	90	180	3,95	2,95

## Spring Plungers

LONG-LOK, ball style, hexagon socket, steel



INCH Parts  
METRIC Parts



$$a = 60^\circ, F' = 1,732 \times F$$

$$a = 90^\circ, F' = F$$

$$a = 120^\circ, F' = 0,577 \times F$$

**Material:**

Body steel quality class 5.8.  
Ball steel.  
Spring Class D steel wire.

LONG-LOK thread lock Nylon.

**Type:**

Black oxide finish.  
Ball hardened.

**Part Number Example:**

K0325.AJ

**Note:**

For the inch series, dimension D and S are in inches, all other dimensions are in mm.

**Drawing reference:**

L2 = approx. 2x thread pitch

**KIPP Spring Plungers, LONG-LOK, ball style, hexagon socket, steel, standard end pressure, inch**

Item No.	D	D1	H	L	L1	S	Spring force initial pressure F1 approx. N	Spring force final pressure F2 approx. N	Tightening torque approx. Nm	Loosening torque approx. Nm
K0325.AJ	1/4-28	3,5	1	15	7	1/8	9	13	0,44	0,21
K0325.A2	1/4-20	3,5	1	15	7	1/8	9	13	0,44	0,21
K0325.A3	5/16-18	5	1,5	18	8	5/32	15	30	1,1	0,38
K0325.A4	3/8-16	6	2	23	9	3/16	20	35	1,3	0,6
K0325.A5	1/2-13	8	2,5	26	10	7/32	30	55	2	1,3
K0325.A6	5/8-11	10	3,5	33	14	5/16	65	125	3,9	3

# Spring Plungers

LONG-LOK, ball style, hexagon socket, steel

## KIPP Spring Plungers, LONG-LOK, ball style, hexagon socket, steel, heavy end pressure, inch

Item No.	D	D1	H	L	L1	S	Spring force initial pressure F1 approx. N	Spring force final pressure F2 approx. N	Tightening torque approx. Nm	Loosening torque approx. Nm
K0325.2AJ	1/4-28	3,5	1	15	7	1/8	28	40	0,44	0,21
K0325.2A2	1/4-20	3,5	1	15	7	1/8	28	40	0,44	0,21
K0325.2A3	5/16-18	5	1,5	18	8	5/32	47	73	1,1	0,38
K0325.2A4	3/8-16	6	2	23	9	3/16	66	100	1,3	0,6
K0325.2A5	1/2-13	8	2,5	26	10	7/32	66	120	2	1,3
K0325.2A6	5/8-11	10	3,5	33	14	5/16	90	180	3,9	3

## KIPP Spring Plungers, LONG-LOK, ball style, hexagon socket, steel, standard end pressure, metric

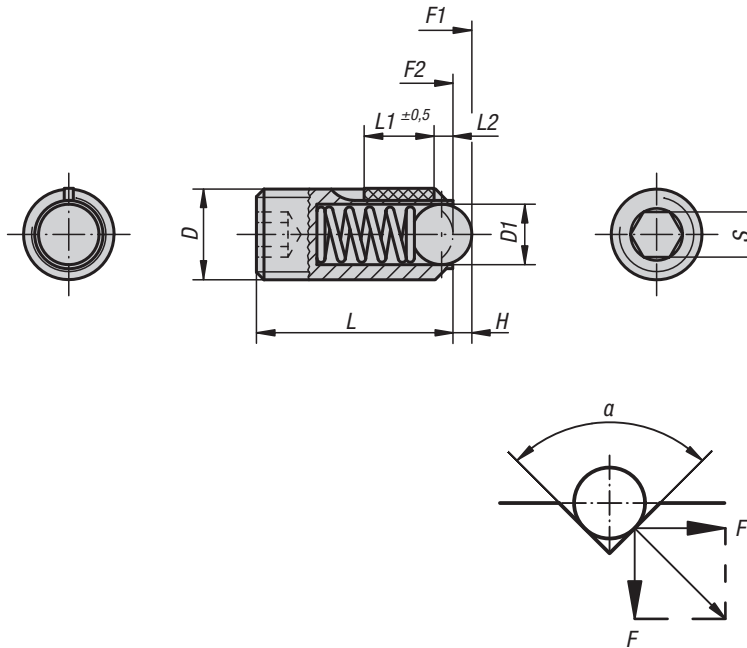
Item No.	D	D1	H	L	L1	S	Spring force initial pressure F1 approx. N	Spring force final pressure F2 approx. N	Tightening torque approx. Nm	Loosening torque approx. Nm
K0325.03	M3	1,5	0,4	9	4	1,5	1,5	3	0,1	0,07
K0325.04	M4	2,5	0,8	10	5	2	4	10	0,18	0,12
K0325.05	M5	3	0,9	14	6	2,5	6	11	0,12	0,08
K0325.06	M6	3,5	1	15	7	3	9	13	0,44	0,21
K0325.08	M8	5	1,5	18	8	4	15	30	1,1	0,38
K0325.10	M10	6	2	23	9	5	20	35	1,3	0,6
K0325.12	M12	8	2,5	26	10	6	30	55	2	1,3
K0325.16	M16	10	3,5	33	14	8	65	125	3,9	3

## KIPP Spring Plungers, LONG-LOK, ball style, hexagon socket, steel, heavy end pressure, metric

Item No.	D	D1	H	L	L1	S	Spring force initial pressure F1 approx. N	Spring force final pressure F2 approx. N	Tightening torque approx. Nm	Loosening torque approx. Nm
K0325.203	M3	1,5	0,4	9	4	1,5	5	7	0,1	0,07
K0325.204	M4	2,5	0,8	10	5	2	12	22	0,18	0,12
K0325.205	M5	3	0,9	14	6	2,5	19	30	0,12	0,08
K0325.206	M6	3,5	1	15	7	3	28	40	0,44	0,21
K0325.208	M8	5	1,5	18	8	4	47	73	1,1	0,38
K0325.210	M10	6	2	23	9	5	66	100	1,3	0,6
K0325.212	M12	8	2,5	26	10	6	66	120	2	1,3
K0325.216	M16	10	3,5	33	14	8	90	180	3,9	3

## Spring Plungers

LONG-LOK, ball style, hexagon socket, stainless steel



$$a = 60^\circ, F' = 1,732 \times F$$

$$a = 90^\circ, F' = F$$

$$a = 120^\circ, F' = 0,577 \times F$$

**Material:**

Body stainless steel 1.4305 (AISI 303 equivalent).  
 Ball stainless steel 1.4034 (AISI 420 equivalent).  
 Spring stainless steel wire 1.4310 (AISI 310 equivalent).

LONG-LOK thread lock Nylon.

**Type:**

Bright.  
 Ball hardened.

**Part Number Example:**

K0326.A2

**Note:**

For the inch series, dimension D and S are in inches, all other dimensions are in mm.

**Drawing reference:**

L2 = approx. 2x thread pitch

**KIPP Spring Plungers, LONG-LOK, ball style, hexagon socket, stainless steel, standard end pressure, inch**

Item No.	D	D1	H	L	L1	S	Spring force initial pressure F1 approx. N	Spring force final pressure F2 approx. N	Tightening torque approx. Nm	Loosening torque approx. Nm
K0326.AJ	1/4-28	3,5	1	15	7	1/8	9	13	0,44	0,21
K0326.A2	1/4-20	3,5	1	15	7	1/8	9	13	0,44	0,21
K0326.A3	5/16-18	5	1,5	18	8	5/32	15	30	1,1	0,38
K0326.A4	3/8-16	6	2	23	9	3/16	20	35	1,3	0,6
K0326.A5	1/2-13	8	2,5	26	10	7/32	30	55	2	1,3
K0326.A6	5/8-11	10	3,5	33	14	5/16	65	125	3,9	3



# Spring Plungers

LONG-LOK, ball style, hexagon socket, stainless steel

## KIPP Spring Plungers, LONG-LOK, ball style, hexagon socket, stainless steel, heavy end pressure, inch

Item No.	D	D1	H	L	L1	S	Spring force initial pressure F1 approx. N	Spring force final pressure F2 approx. N	Tightening torque approx. Nm	Loosening torque approx. Nm
K0326.2AJ	1/4-28	3,5	1	15	7	1/8	28	40	0,44	0,21
K0326.2A2	1/4-20	3,5	1	15	7	1/8	28	40	0,44	0,21
K0326.2A3	5/16-18	5	1,5	18	8	5/32	47	73	1,1	0,38
K0326.2A4	3/8-16	6	2	23	9	3/16	66	100	1,3	0,6
K0326.2A5	1/2-13	8	2,5	26	10	7/32	66	120	2	1,3
K0326.2A6	5/8-11	10	3,5	33	14	5/16	90	180	3,9	3

## KIPP Spring Plungers, LONG-LOK, ball style, hexagon socket, stainless steel, standard end pressure, metric

Item No.	D	D1	H	L	L1	S	Spring force initial pressure F1 approx. N	Spring force final pressure F2 approx. N	Tightening torque approx. Nm	Loosening torque approx. Nm
K0326.03	M3	1,5	0,4	9	4	1,5	1,5	3	0,1	0,07
K0326.04	M4	2,5	0,8	10	5	2	4	10	0,18	0,12
K0326.05	M5	3	0,9	14	6	2,5	6	11	0,12	0,08
K0326.06	M6	3,5	1	15	7	3	9	13	0,44	0,21
K0326.08	M8	5	1,5	18	8	4	15	30	1,1	0,38
K0326.10	M10	6	2	23	9	5	20	35	1,3	0,6
K0326.12	M12	8	2,5	26	10	6	30	55	2	1,3
K0326.16	M16	10	3,5	33	14	8	65	125	3,9	3

## KIPP Spring Plungers, LONG-LOK, ball style, hexagon socket, stainless steel, heavy end pressure, metric

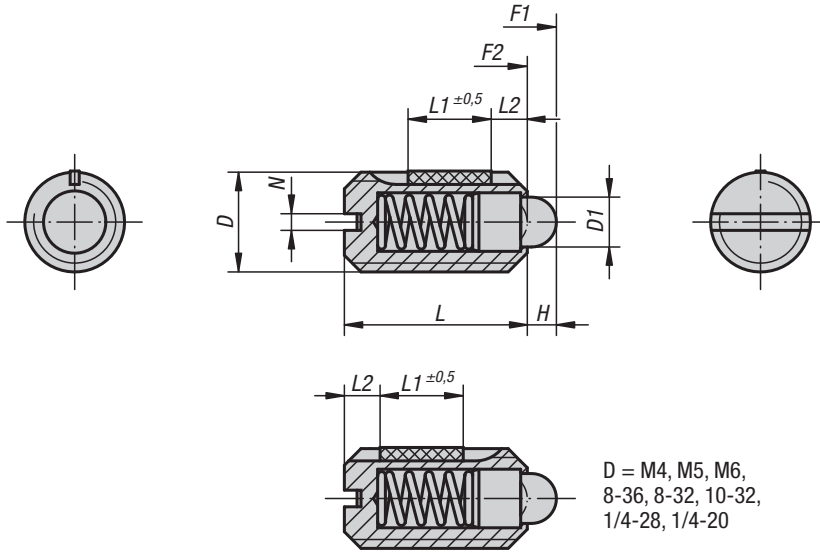
Item No.	D	D1	H	L	L1	S	Spring force initial pressure F1 approx. N	Spring force final pressure F2 approx. N	Tightening torque approx. Nm	Loosening torque approx. Nm
K0326.203	M3	1,5	0,4	9	4	1,5	5	7	0,1	0,07
K0326.204	M4	2,5	0,8	10	5	2	12	22	0,18	0,12
K0326.205	M5	3	0,9	14	6	2,5	19	30	0,12	0,08
K0326.206	M6	3,5	1	15	7	3	28	40	0,44	0,21
K0326.208	M8	5	1,5	18	8	4	47	73	1,1	0,38
K0326.210	M10	6	2	23	9	5	66	100	1,3	0,6
K0326.212	M12	8	2,5	26	10	6	66	120	2	1,3
K0326.216	M16	10	3,5	33	14	8	90	180	3,9	3

## Spring Plungers

LONG-LOK, pin style, slotted, steel



INCH Parts  
METRIC Parts



**Material:**

Body steel quality class 5.8.  
Thrust pin steel.  
Spring Class D steel wire.

LONG-LOK thread lock Nylon.

**Type:**

Black oxide finish.  
Thrust pin hardened.

**Part Number Example:**

K0323.AG

**Note:**

For the inch series, dimension D is in inches,  
all other dimensions are in mm.

**Drawing reference:**

L2 = approx. 2x thread pitch

**KIPP Spring Plungers, LONG-LOK, pin style, slotted, steel, standard end pressure, inch**

Item No.	D	D1	H	L	L1	N	Spring force initial pressure F1 approx. N	Spring force final pressure F2 approx. N	Tightening torque approx. Nm	Loosening torque approx. Nm
K0323.AG	8-36	1,8	1,5	9	5	0,6	6	20	0,18	0,12
K0323.AE	8-32	1,8	1,5	9	5	0,6	6	20	0,18	0,12
K0323.A1	10-32	2,4	2	12	6	0,8	6	20	0,12	0,08
K0323.AJ	1/4-28	2,7	2	14	7	1	7	20	0,44	0,21
K0323.A2	1/4-20	2,7	2	14	7	1	7	20	0,44	0,21
K0323.A3	5/16-18	4	2	16	8	1,2	15	30	1,1	0,38
K0323.A4	3/8-16	4,5	2,5	19	9	1,6	20	35	1,36	0,62
K0323.A5	1/2-13	6	3,5	22	10	2	30	55	2,11	1,41
K0323.A6	5/8-11	8,5	4,5	24	14	2,5	45	100	3,95	3,05

# Spring Plungers

LONG-LOK, pin style, slotted, steel

## KIPP Spring Plungers, LONG-LOK, pin style, slotted, steel, light end pressure, inch

Item No.	D	D1	H	L	L1	N	Spring force initial pressure F1 approx. N	Spring force final pressure F2 approx. N	Tightening torque approx. Nm	Loosening torque approx. Nm
K0323.1AG	8-36	1,8	1,5	9	5	0,6	2	7	0,18	0,12
K0323.1AE	8-32	1,8	1,5	9	5	0,6	3	10	0,18	0,12
K0323.1A1	10-32	2,4	2	12	6	0,8	3	10	0,12	0,08
K0323.1AJ	1/4-28	2,7	2	14	7	1	3	9	0,44	0,21
K0323.1A2	1/4-20	2,7	2	14	7	1	4	10	0,44	0,21
K0323.1A3	5/16-18	4	2	16	8	1,2	7	15	1,1	0,38
K0323.1A4	3/8-16	4,5	2,5	19	9	1,6	9	16	1,36	0,62
K0323.1A5	1/2-13	6	3,5	22	10	2	14	26	2,11	1,41
K0323.1A6	5/8-11	8,5	4,5	24	14	2,5	22	50	3,95	3,05

## KIPP Spring Plungers, LONG-LOK, pin style, slotted, steel, standard end pressure, metric

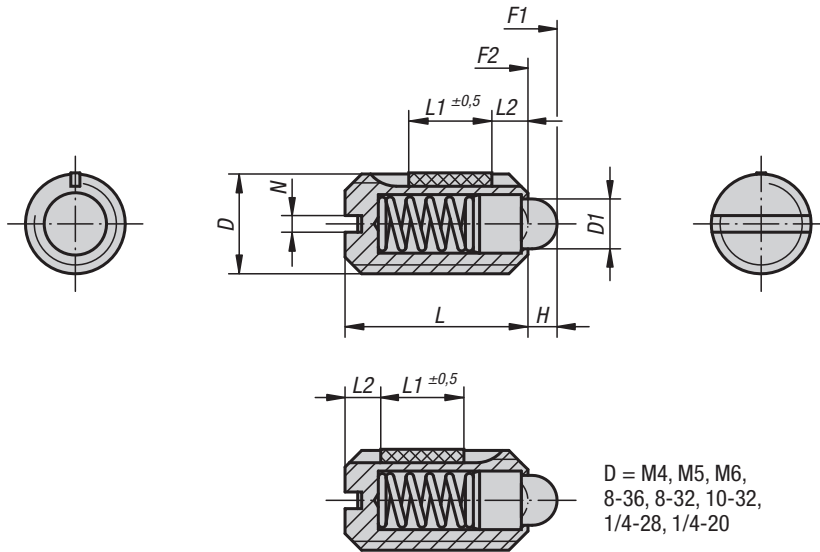
Item No.	D	D1	H	L	L1	N	Spring force initial pressure F1 approx. N	Spring force final pressure F2 approx. N	Tightening torque approx. Nm	Loosening torque approx. Nm
K0323.04	M4	1,8	1,5	9	5	0,6	6	20	0,18	0,12
K0323.05	M5	2,4	2	12	6	0,8	6	20	0,12	0,08
K0323.06	M6	2,7	2	14	7	1	7	20	0,44	0,21
K0323.08	M8	4	2	16	8	1,2	15	30	1,1	0,38
K0323.10	M10	4,5	2,5	19	9	1,6	20	35	1,36	0,62
K0323.12	M12	6	3,5	22	10	2	30	55	2,11	1,41
K0323.16	M16	8,5	4,5	24	14	2,5	45	100	3,95	3,05

## KIPP Spring Plungers, LONG-LOK, pin style, slotted, steel, light end pressure, metric

Item No.	D	D1	H	L	L1	N	Spring force initial pressure F1 approx. N	Spring force final pressure F2 approx. N	Tightening torque approx. Nm	Loosening torque approx. Nm
K0323.104	M4	1,8	1,5	9	5	0,6	3	10	0,18	0,12
K0323.105	M5	2,4	2	12	6	0,8	3	10	0,12	0,08
K0323.106	M6	2,7	2	14	7	1	4	10	0,44	0,21
K0323.108	M8	4	2	16	8	1,2	7	15	1,1	0,38
K0323.110	M10	4,5	2,5	19	9	1,6	9	16	1,36	0,62
K0323.112	M12	6	3,5	22	10	2	14	26	2,11	1,41
K0323.116	M16	8,5	4,5	24	14	2,5	22	50	3,95	3,05

## Spring Plungers

LONG-LOK, pin style, slotted, stainless steel



**Material:**

Body stainless steel 1.4305  
(AISI 303 equivalent).  
Ball stainless steel 1.4034  
(AISI 420 equivalent).  
Spring stainless steel wire 1.4310  
(AISI 310 equivalent).

LONG-LOK thread lock Nylon.

**Type:**

Bright.  
Thrust pin hardened.

**Part Number Example:**

K0324.A3

**Note:**

For the inch series, dimension D is in inches, all other dimensions are in mm.

**Drawing reference:**

L2 = approx. 2x thread pitch

**KIPP Spring Plungers, LONG-LOK, pin style, slotted, stainless steel, standard end pressure, inch**

Item No.	D	D1	H	L	L1	N	Spring force initial pressure F1 approx. N	Spring force final pressure F2 approx. N	Tightening torque approx. Nm	Loosening torque approx. Nm
K0324.AG	8-36	1,8	1,5	9	5	0,6	6	20	0,18	0,12
K0324.AE	8-32	1,8	1,5	9	5	0,6	6	20	0,18	0,12
K0324.A1	10-32	2,4	2	12	6	0,8	6	20	0,12	0,08
K0324.AJ	1/4-28	2,7	2	14	7	1	7	20	0,44	0,21
K0324.A2	1/4-20	2,7	2	14	7	1	7	20	0,44	0,21
K0324.A3	5/16-18	4	2	16	8	1,2	15	30	1,1	0,38
K0324.A4	3/8-16	4,5	2,5	19	9	1,6	20	35	1,36	0,62
K0324.A5	1/2-13	6	3,5	22	10	2	30	55	2,11	1,41
K0324.A6	5/8-11	8,5	4,5	24	14	2,5	45	100	3,95	3,05

# Spring Plungers

LONG-LOK, pin style, slotted, stainless steel

## KIPP Spring Plungers, LONG-LOK, pin style, slotted, stainless steel, light end pressure, inch

Item No.	D	D1	H	L	L1	N	Spring force initial pressure F1 approx. N	Spring force final pressure F2 approx. N	Tightening torque approx. Nm	Loosening torque approx. Nm
K0324.1AG	8-36	1,8	1,5	9	5	0,6	2	7	0,18	0,12
K0324.1AE	8-32	1,8	1,5	9	5	0,6	3	10	0,18	0,12
K0324.1A1	10-32	2,4	2	12	6	0,8	3	10	0,12	0,08
K0324.1AJ	1/4-28	2,7	2	14	7	1	3	9	0,44	0,21
K0324.1A2	1/4-20	2,7	2	14	7	1	4	10	0,44	0,21
K0324.1A3	5/16-18	4	2	16	8	1,2	7	15	1,1	0,38
K0324.1A4	3/8-16	4,5	2,5	19	9	1,6	9	16	1,36	0,62
K0324.1A5	1/2-13	6	3,5	22	10	2	14	26	2,11	1,41
K0324.1A6	5/8-11	8,5	4,5	24	14	2,5	22	50	3,95	3,05

## KIPP Spring Plungers, LONG-LOK, pin style, slotted, stainless steel, standard end pressure, metric

Item No.	D	D1	H	L	L1	N	Spring force initial pressure F1 approx. N	Spring force final pressure F2 approx. N	Tightening torque approx. Nm	Loosening torque approx. Nm
K0324.04	M4	1,8	1,5	9	5	0,6	6	20	0,18	0,12
K0324.05	M5	2,4	2	12	6	0,8	6	20	0,12	0,08
K0324.06	M6	2,7	2	14	7	1	7	20	0,44	0,21
K0324.08	M8	4	2	16	8	1,2	15	30	1,1	0,38
K0324.10	M10	4,5	2,5	19	9	1,6	20	35	1,36	0,62
K0324.12	M12	6	3,5	22	10	2	30	55	2,11	1,41
K0324.16	M16	8,5	4,5	24	14	2,5	45	100	3,95	3,05

## KIPP Spring Plungers, LONG-LOK, pin style, slotted, stainless steel, light end pressure, metric

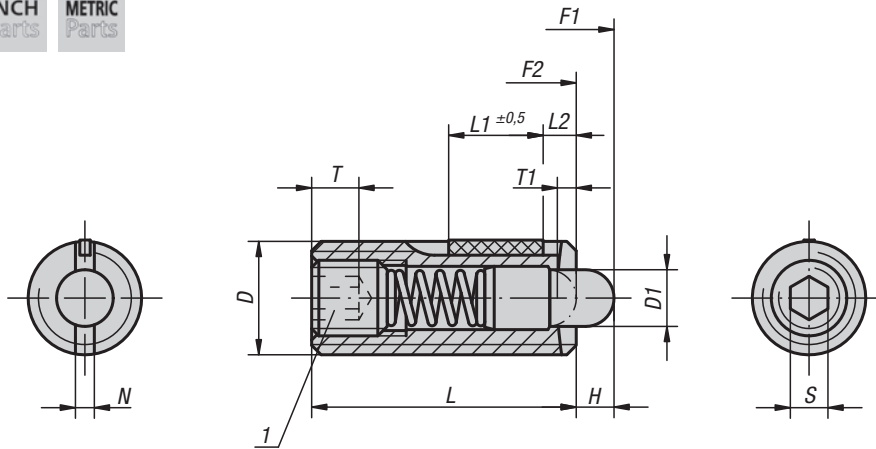
Item No.	D	D1	H	L	L1	N	Spring force initial pressure F1 approx. N	Spring force final pressure F2 approx. N	Tightening torque approx. Nm	Loosening torque approx. Nm
K0324.104	M4	1,8	1,5	9	5	0,6	3	10	0,18	0,12
K0324.105	M5	2,4	2	12	6	0,8	3	10	0,12	0,08
K0324.106	M6	2,7	2	14	7	1	4	10	0,44	0,21
K0324.108	M8	4	2	16	8	1,2	7	15	1,1	0,38
K0324.110	M10	4,5	2,5	19	9	1,6	9	16	1,36	0,62
K0324.112	M12	6	3,5	22	10	2	14	26	2,11	1,41
K0324.116	M16	8,5	4,5	24	14	2,5	22	50	3,95	3,05

## Spring Plungers

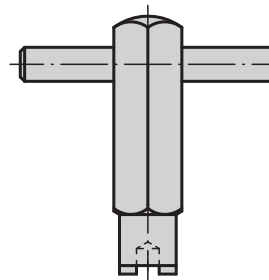
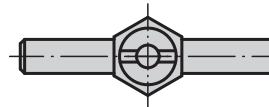
LONG-LOK, pin style, hexagon socket, steel body and pin



INCH Parts  
METRIC Parts



Installation tool



**Material:**  
Body steel quality class 5.8.  
Thrust pin steel.  
Spring Class D steel wire.  
  
LONG-LOK thread lock Nylon.

**Type:**  
Black oxide finish.  
Thrust pin hardened.

**Part Number Example:**  
K0327.1A1

**Note:**  
For the inch series, dimension D and S are in inches, all other dimensions are in mm.

**Drawing reference:**  
L2 = ca. two full threads  
1) grub screw glued in

### KIPP Spring Plungers, LONG-LOK, pin style, hexagon socket, steel body and pin, standard end pressure, inch

Item No.	D	D1	H	L	L1	T	T1	N	S	Spring force initial pressure F1 approx. N	Spring force final pressure F2 approx. N	Tightening torque approx. Nm	Loosening torque approx. Nm	Item No. Installation tool
K0327.A1	10-32	2,4	2,3	18	7	2	0,8	0,8	1/16	6	20	0,12	0,08	K0317.905
K0327.AJ	1/4-28	2,7	2,5	20	7	2,5	1	1	5/64	7	20	0,45	0,22	K0317.906
K0327.A2	1/4-20	2,7	2,5	20	7	2,5	1	1	5/64	7	20	0,45	0,22	K0317.906
K0327.A3	5/16-18	3,5	3	22	8	3	1,4	1,2	3/32	9	35	1,05	0,37	K0317.908
K0327.A4	3/8-16	4	3	22	9	3,5	1,4	1,6	1/8	9	35	1,3	0,6	K0317.910
K0327.A5	1/2-13	6	4	28	10	5	2	2	5/32	12	55	2	1,3	K0317.912
K0327.A6	5/8-11	7,5	5	32	14	6	2,5	2,5	3/16	45	100	3,9	3	K0317.916

### KIPP Spring Plungers, LONG-LOK, pin style, hexagon socket, steel body and pin, light end pressure, inch

Item No.	D	D1	H	L	L1	T	T1	N	S	Spring force initial pressure F1 approx. N	Spring force final pressure F2 approx. N	Tightening torque approx. Nm	Loosening torque approx. Nm	Item No. Installation tool
K0327.1A1	10-32	2,4	2,3	18	7	2	0,8	0,8	1/16	3	10	0,12	0,08	K0317.905
K0327.1AJ	1/4-28	2,7	2,5	20	7	2,5	1	1	5/64	3	9	0,45	0,22	K0317.906
K0327.1A2	1/4-20	2,7	2,5	20	7	2,5	1	1	5/64	3	9	0,45	0,22	K0317.906
K0327.1A3	5/16-18	3,5	3	22	8	3	1,4	1,2	3/32	4	16	1,05	0,37	K0317.908
K0327.1A4	3/8-16	4	3	22	9	3,5	1,4	1,6	1/8	4	16	1,3	0,6	K0317.910
K0327.1A5	1/2-13	6	4	28	10	5	2	2	5/32	5	27	2	1,3	K0317.912
K0327.1A6	5/8-11	7,5	5	32	14	6	2,5	2,5	3/16	20	45	3,9	3	K0317.916

# Spring Plungers

LONG-LOK, pin style, hexagon socket, steel body and pin

## KIPP Spring Plungers, LONG-LOK, pin style, hexagon socket, steel body and pin, heavy end pressure, inch

Item No.	D	D1	H	L	L1	T	T1	N	S	Spring force initial pressure F1 approx. N	Spring force final pressure F2 approx. N	Tightening torque approx. Nm	Loosening torque approx. Nm	Item No. Installation tool
K0327.2A1	10-32	2,4	2,3	18	7	2	0,8	0,8	1/16	11	29	0,12	0,08	K0317.905
K0327.2AJ	1/4-28	2,7	2,5	20	7	2,5	1	1	5/64	14	37	0,45	0,22	K0317.906
K0327.2A2	1/4-20	2,7	2,5	20	7	2,5	1	1	5/64	14	37	0,45	0,22	K0317.906
K0327.2A3	5/16-18	3,5	3	22	8	3	1,4	1,2	3/32	22	65	1,05	0,37	K0317.908
K0327.2A4	3/8-16	4	3	22	9	3,5	1,4	1,6	1/8	19	70	1,3	0,6	K0317.910
K0327.2A5	1/2-13	6	4	28	10	5	2	2	5/32	25	85	2	1,3	K0317.912
K0327.2A6	5/8-11	7,5	5	32	14	6	2,5	2,5	3/16	60	150	3,9	3	K0317.916

## KIPP Spring Plungers, LONG-LOK, pin style, hexagon socket, steel body and pin, standard end pressure, metric

Item No.	D	D1	H	L	L1	T	T1	N	S	Spring force initial pressure F1 approx. N	Spring force final pressure F2 approx. N	Tightening torque approx. Nm	Loosening torque approx. Nm	Item No. Installation tool
K0327.05	M5	2,4	2,3	18	7	2	0,8	0,8	1,5	6	20	0,12	0,08	K0317.905
K0327.06	M6	2,7	2,5	20	7	2,5	1	1	2	7	20	0,45	0,22	K0317.906
K0327.08	M8	3,5	3	22	8	3	1,4	1,2	2,5	9	35	1,05	0,37	K0317.908
K0327.10	M10	4	3	22	9	3,5	1,4	1,6	3	9	35	1,3	0,6	K0317.910
K0327.12	M12	6	4	28	10	5	2	2	4	12	55	2	1,3	K0317.912
K0327.16	M16	7,5	5	32	14	6	2,5	2,5	5	45	100	3,9	3	K0317.916

## KIPP Spring Plungers, LONG-LOK, pin style, hexagon socket, steel body and pin, light end pressure, metric

Item No.	D	D1	H	L	L1	T	T1	N	S	Spring force initial pressure F1 approx. N	Spring force final pressure F2 approx. N	Tightening torque approx. Nm	Loosening torque approx. Nm	Item No. Installation tool
K0327.105	M5	2,4	2,3	18	7	2	0,8	0,8	1,5	3	10	0,12	0,08	K0317.905
K0327.106	M6	2,7	2,5	20	7	2,5	1	1	2	3	9	0,45	0,22	K0317.906
K0327.108	M8	3,5	3	22	8	3	1,4	1,2	2,5	4	16	1,05	0,37	K0317.908
K0327.110	M10	4	3	22	9	3,5	1,4	1,6	3	4	16	1,3	0,6	K0317.910
K0327.112	M12	6	4	28	10	5	2	2	4	5	27	2	1,3	K0317.912
K0327.116	M16	7,5	5	32	14	6	2,5	2,5	5	20	45	3,9	3	K0317.916

## KIPP Spring Plungers, LONG-LOK, pin style, hexagon socket, steel body and pin, heavy end pressure, metric

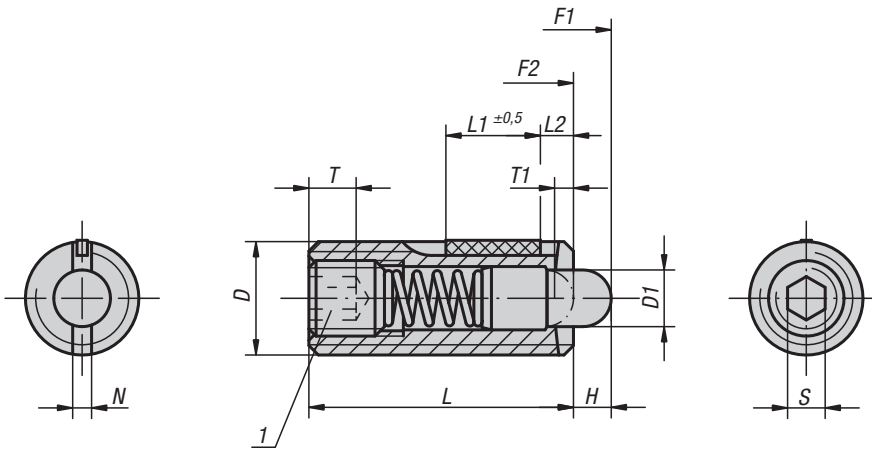
Item No.	D	D1	H	L	L1	T	T1	N	S	Spring force initial pressure F1 approx. N	Spring force final pressure F2 approx. N	Tightening torque approx. Nm	Loosening torque approx. Nm	Item No. Installation tool
K0327.205	M5	2,4	2,3	18	7	2	0,8	0,8	1,5	11	29	0,12	0,08	K0317.905
K0327.206	M6	2,7	2,5	20	7	2,5	1	1	2	14	37	0,45	0,22	K0317.906
K0327.208	M8	3,5	3	22	8	3	1,4	1,2	2,5	22	65	1,05	0,37	K0317.908
K0327.210	M10	4	3	22	9	3,5	1,4	1,6	3	19	70	1,3	0,6	K0317.910
K0327.212	M12	6	4	28	10	5	2	2	4	25	85	2	1,3	K0317.912
K0327.216	M16	7,5	5	32	14	6	2,5	2,5	5	60	150	3,9	3	K0317.916

## Spring Plungers

LONG-LOK, pin style, hexagon socket, steel body and POM pin

INCH  
Parts

METRIC  
Parts



**Material:**

Body steel quality class 5.8.  
Thrust pin POM.  
Spring Class D steel wire.

LONG-LOK thread lock Nylon.

**Type:**

Black oxide finish.

**Part Number Example:**

K0328.A1

**Note:**

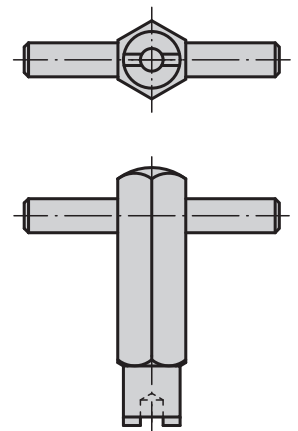
For the inch series, dimension D and S are in inches, all other dimensions are in mm.

**Drawing reference:**

L2 = ca. two full threads

1) grub screw glued in

Installation tool





# Spring Plungers

LONG-LOK, pin style, hexagon socket, steel body and POM pin

## KIPP Spring Plungers, LONG-LOK, pin style, hexagon socket, steel body and POM pin, standard end pressure, inch

Item No.	D	D1	H	L	L1	T	T1	N	S	Spring force initial pressure F1 approx. N	Spring force final pressure F2 approx. N	Tightening torque approx. Nm	Loosening torque approx. Nm	Item No. Installation tool
K0328.A1	10-32	2,4	2,3	18	7	2	0,8	0,8	1/16	6	20	0,12	0,08	K0317.905
K0328.AJ	1/4-28	2,7	2,5	20	7	2,5	1	1	5/64	7	20	0,45	0,22	K0317.906
K0328.A2	1/4-20	2,7	2,5	20	7	2,5	1	1	5/64	7	20	0,45	0,22	K0317.906
K0328.A3	5/16-18	3,5	3	22	8	3	1,4	1,2	3/32	9	35	1,05	0,37	K0317.908
K0328.A4	3/8-16	4	3	22	9	3,5	1,4	1,6	1/8	9	35	1,3	0,6	K0317.910
K0328.A5	1/2-13	6	4	28	10	5	2	2	5/32	10	55	2	1,3	K0317.912
K0328.A6	5/8-11	7,5	5	32	14	6	2,5	2,5	3/16	45	100	3,9	3	K0317.916

## KIPP Spring Plungers, LONG-LOK, pin style, hexagon socket, steel body and POM pin, light end pressure, inch

Item No.	D	D1	H	L	L1	T	T1	N	S	Spring force initial pressure F1 approx. N	Spring force final pressure F2 approx. N	Tightening torque approx. Nm	Loosening torque approx. Nm	Item No. Installation tool
K0328.1A1	10-32	2,4	2,3	18	7	2	0,8	0,8	1/16	3	10	0,12	0,08	K0317.905
K0328.1AJ	1/4-28	2,7	2,5	20	7	2,5	1	1	5/64	3	9	0,45	0,22	K0317.906
K0328.1A2	1/4-20	2,7	2,5	20	7	2,5	1	1	5/64	3	9	0,45	0,22	K0317.906
K0328.1A3	5/16-18	3,5	3	22	8	3	1,4	1,2	3/32	4	16	1,05	0,37	K0317.908
K0328.1A4	3/8-16	4	3	22	9	3,5	1,4	1,6	1/8	4	16	1,3	0,6	K0317.910
K0328.1A5	1/2-13	6	4	28	10	5	2	2	5/32	5	27	2	1,3	K0317.912
K0328.1A6	5/8-11	7,5	5	32	14	6	2,5	2,5	3/16	20	45	3,9	3	K0317.916

## KIPP Spring Plungers, LONG-LOK, pin style, hexagon socket, steel body and POM pin, standard end pressure, metric

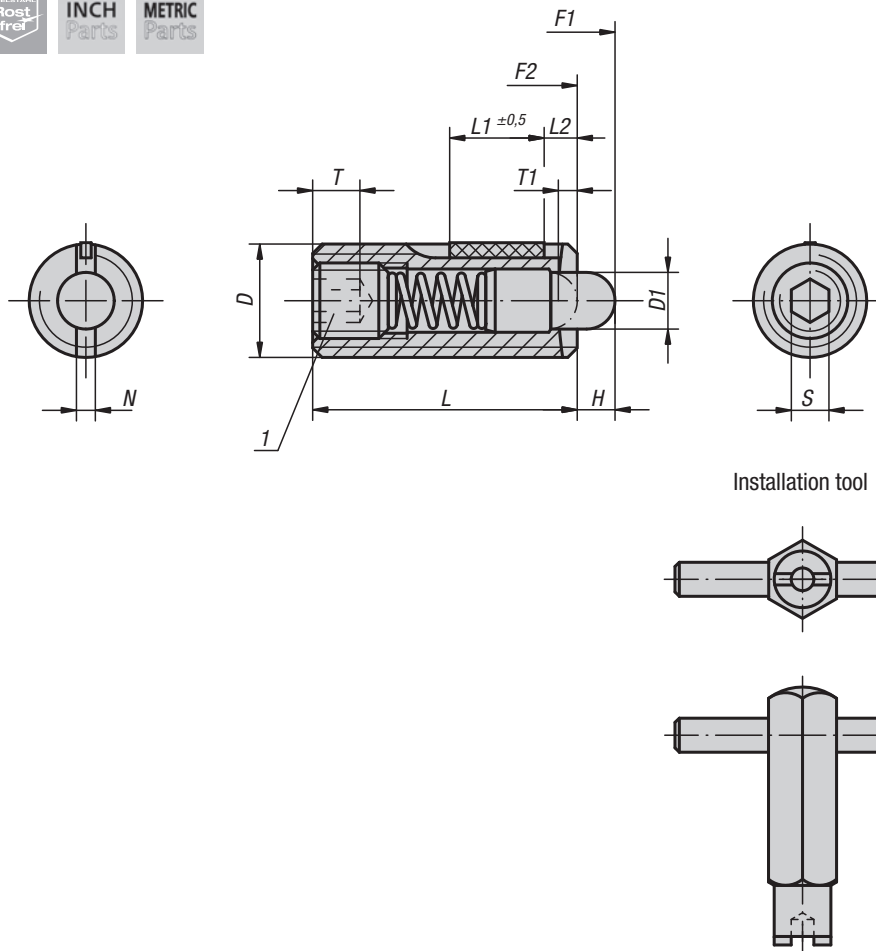
Item No.	D	D1	H	L	L1	T	T1	N	S	Spring force initial pressure F1 approx. N	Spring force final pressure F2 approx. N	Tightening torque approx. Nm	Loosening torque approx. Nm	Item No. Installation tool
K0328.05	M5	2,4	2,3	18	7	2	0,8	0,8	1,5	6	20	0,12	0,08	K0317.905
K0328.06	M6	2,7	2,5	20	7	2,5	1	1	2	7	20	0,45	0,22	K0317.906
K0328.08	M8	3,5	3	22	8	3	1,4	1,2	2,5	9	35	1,05	0,37	K0317.908
K0328.10	M10	4	3	22	9	3,5	1,4	1,6	3	9	35	1,3	0,6	K0317.910
K0328.12	M12	6	4	28	10	5	2	2	4	12	55	2	1,3	K0317.912
K0328.16	M16	7,5	5	32	14	6	2,5	2,5	5	45	100	3,9	3	K0317.916

## KIPP Spring Plungers, LONG-LOK, pin style, hexagon socket, steel body and POM pin, light end pressure, metric

Item No.	D	D1	H	L	L1	T	T1	N	S	Spring force initial pressure F1 approx. N	Spring force final pressure F2 approx. N	Tightening torque approx. Nm	Loosening torque approx. Nm	Item No. Installation tool
K0328.105	M5	2,4	2,3	18	7	2	0,8	0,8	1,5	3	10	0,12	0,08	K0317.905
K0328.106	M6	2,7	2,5	20	7	2,5	1	1	2	3	9	0,45	0,22	K0317.906
K0328.108	M8	3,5	3	22	8	3	1,4	1,2	2,5	4	16	1,05	0,37	K0317.908
K0328.110	M10	4	3	22	9	3,5	1,4	1,6	3	4	16	1,3	0,6	K0317.910
K0328.112	M12	6	4	28	10	5	2	2	4	5	27	2	1,3	K0317.912
K0328.116	M16	7,5	5	32	14	6	2,5	2,5	5	20	45	3,9	3	K0317.916

## Spring Plungers

LONG-LOK, pin style, hexagon socket, stainless steel body and pin



**Material:**

Body 1.4305 (AISI 303 equivalent).  
Thrust pin 1.4034 (AISI 420 equivalent).  
Spring 1.4310 (AISI 310 equivalent).

LONG-LOK thread lock Nylon.

**Type:**

Bright.  
Thrust pin hardened.

**Part Number Example:**

K0329.A1

**Note:**

For the inch series, dimension D and S are in inches, all other dimensions are in mm.

**Drawing reference:**

L2 = ca. two full threads  
1) grub screw glued in

### KIPP Spring Plungers, LONG-LOK, pin style, hexagon socket, stainless steel body and pin, inch

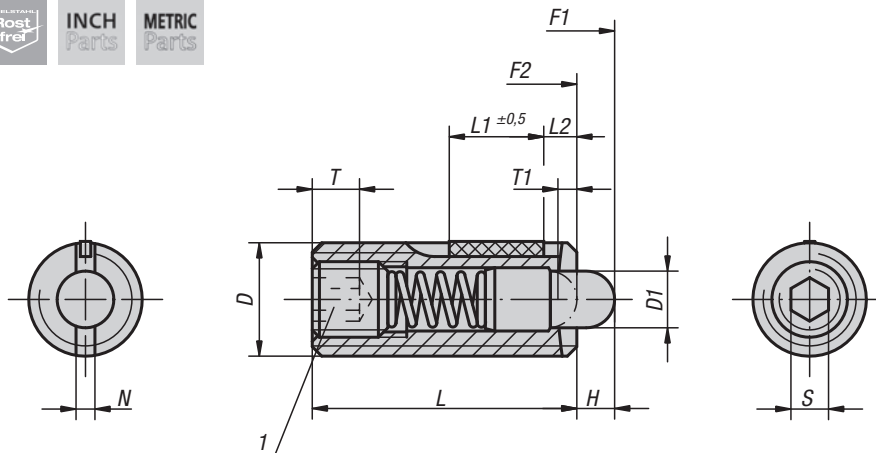
Item No.	D	D1	H	L	L1	T	T1	N	S	Spring force initial pressure F1 approx. N	Spring force final pressure F2 approx. N	Tightening torque approx. Nm	Loosening torque approx. Nm	Item No. Installation tool
K0329.A1	10-32	2,4	2,3	18	7	2	0,8	0,8	1/16	5	17	0,12	0,08	K0317.905
K0329.AJ	1/4-28	2,7	2,5	20	7	2,5	1	1	5/64	6	17	0,45	0,22	K0317.906
K0329.A2	1/4-20	2,7	2,5	20	7	2,5	1	1	5/64	6	17	0,45	0,22	K0317.906
K0329.A3	5/16-18	3,5	3	22	8	3	1,4	1,2	3/32	7	29	1,05	0,37	K0317.908
K0329.A4	3/8-16	4	3	22	9	3,5	1,4	1,6	1/8	8	31	1,3	0,6	K0317.910
K0329.A5	1/2-13	6	4	28	10	5	2	2	5/32	10	47	2	1,3	K0317.912
K0329.A6	5/8-11	7,5	5	32	14	6	2,5	2,5	3/16	45	100	3,9	3	K0317.916

### KIPP Spring Plungers, LONG-LOK, pin style, hexagon socket, stainless steel body and pin, metric

Item No.	D	D1	H	L	L1	T	T1	N	S	Spring force initial pressure F1 approx. N	Spring force final pressure F2 approx. N	Tightening torque approx. Nm	Loosening torque approx. Nm	Item No. Installation tool
K0329.05	M5	2,4	2,3	18	7	2	0,8	0,8	1,5	5	17	0,12	0,08	K0317.905
K0329.06	M6	2,7	2,5	20	7	2,5	1	1	2	6	17	0,45	0,22	K0317.906
K0329.08	M8	3,5	3	22	8	3	1,4	1,2	2,5	7	29	1,05	0,37	K0317.908
K0329.10	M10	4	3	22	9	3,5	1,4	1,6	3	8	31	1,3	0,6	K0317.910
K0329.12	M12	6	4	28	10	5	2	2	4	10	47	2	1,3	K0317.912
K0329.16	M16	7,5	5	32	14	6	2,5	2,5	5	38	85	3,9	3	K0317.916

## Spring Plungers

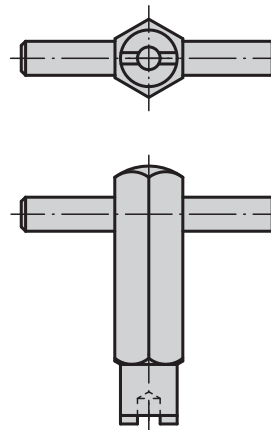
LONG-LOK, pin style, hexagon socket, stainless steel body and POM pin



**Material:**  
 Body stainless steel 1.4305 (AISI 303 equivalent).  
 Thrust pin POM.  
 Spring stainless steel wire 1.4310 (AISI 310 equivalent).

LONG-LOK thread lock Nylon.

Installation tool



**Type:**  
Bright.

**Part Number Example:**  
K0330.A6

**Note:**  
For the inch series, dimension D and S are in inches, all other dimensions are in mm.

**Drawing reference:**  
L2 = ca. two full threads  
1) grub screw glued in

### KIPP Spring Plungers, LONG-LOK, pin style, hexagon socket, stainless steel body and POM pin, inch

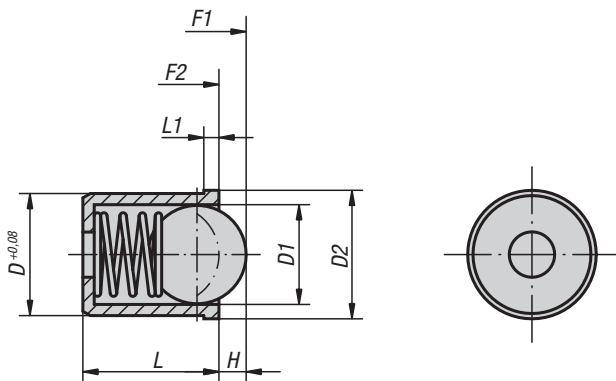
Item No.	D	D1	H	L	L1	T	T1	N	S	Spring force initial pressure F1 approx. N	Spring force final pressure F2 approx. N	Tightening torque approx. Nm	Loosening torque approx. Nm	Item No. Installation tool
K0330.A1	10-32	2,4	2,3	18	7	2	0,8	0,8	1/16	5	17	0,12	0,08	K0317.905
K0330.AJ	1/4-28	2,7	2,5	20	7	2,5	1	1	5/64	6	17	0,45	0,22	K0317.906
K0330.A2	1/4-20	2,7	2,5	20	7	2,5	1	1	5/64	6	17	0,45	0,22	K0317.906
K0330.A3	5/16-18	3,5	3	22	8	3	1,4	1,2	3/32	7	29	1,05	0,37	K0317.908
K0330.A4	3/8-16	4	3	22	9	3,5	1,4	1,6	1/8	8	31	1,3	0,6	K0317.910
K0330.A5	1/2-13	6	4	28	10	5	2	2	5/32	10	47	2	1,3	K0317.912
K0330.A6	5/8-11	7,5	5	32	14	6	2,5	2,5	3/16	45	100	3,9	3	K0317.916

### KIPP Spring Plungers, LONG-LOK, pin style, hexagon socket, stainless steel body and POM pin, metric

Item No.	D	D1	H	L	L1	T	T1	N	S	Spring force initial pressure F1 approx. N	Spring force final pressure F2 approx. N	Tightening torque approx. Nm	Loosening torque approx. Nm	Item No. Installation tool
K0330.05	M5	2,4	2,3	18	7	2	0,8	0,8	1,5	5	17	0,12	0,08	K0317.905
K0330.06	M6	2,7	2,5	20	7	2,5	1	1	2	6	17	0,45	0,22	K0317.906
K0330.08	M8	3,5	3	22	8	3	1,4	1,2	2,5	7	29	1,05	0,37	K0317.908
K0330.10	M10	4	3	22	9	3,5	1,4	1,6	3	8	31	1,3	0,6	K0317.910
K0330.12	M12	6	4	28	10	5	2	2	4	10	47	2	1,3	K0317.912
K0330.16	M16	7,5	5	32	14	6	2,5	2,5	5	38	85	3,9	3	K0317.916

## Spring Plungers

push fit stainless steel



**Material:**

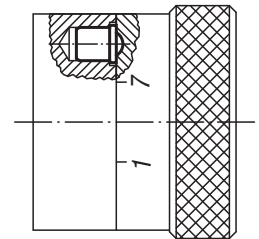
Body and spring stainless steel.  
Ball stainless steel or POM.

**Type:**

Body bright.  
Steel ball hardened, bright.  
Plastic ball white.

**Part Number Example:**

K0333.04



### KIPP Spring Plungers, push fit, stainless steel ball, metric

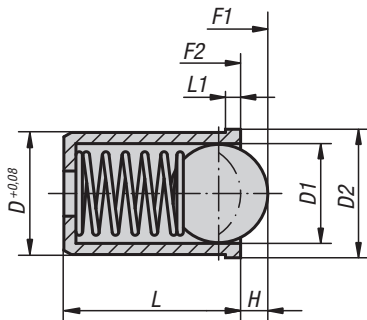
Item No.	Ball	D	D1	D2	L	L1	H	Spring force initial pressure F1 approx. N	Spring force final pressure F2 approx. N
K0333.04	stainless steel	4	3	4,6	5	1	0,8	3	7
K0333.05	stainless steel	5	4	5,6	6	1	1	4	7
K0333.06	stainless steel	6	5	6,5	7	1	1,5	6	12
K0333.08	stainless steel	8	6,5	8,5	9	1	1,8	6	12
K0333.10	stainless steel	10	8	12	13,5	2,5	2,7	10	20
K0333.12	stainless steel	12	10	14	16	2,5	3,5	15	25

### KIPP Spring Plungers, push fit, POM ball, metric

Item No.	Ball	D	D1	D2	L	L1	H	Spring force initial pressure F1 approx. N	Spring force final pressure F2 approx. N
K0333.304	POM	4	3	4,6	5	1	0,6	3	7
K0333.305	POM	5	4	5,6	6	1	0,8	4	7
K0333.306	POM	6	5	6,5	7	1	1,3	6	12
K0333.308	POM	8	6,5	8,5	9	1	1,5	6	12
K0333.310	POM	10	8	12	13,5	2,5	2,6	10	20
K0333.312	POM	12	10	14	16	2,5	3,3	15	25

## Spring Plungers

push fit extended, stainless steel



**Material:**

Body and spring stainless steel.  
Ball stainless steel or POM.

**Type:**

Body bright.  
Steel ball hardened, bright.  
Plastic ball white.

**Part Number Example:**

K0333.104

### KIPP Spring Plungers, push fit, stainless steel ball, metric

Item No.	Ball	D	D1	D2	L	L1	H	Spring force initial pressure F1 approx. N	Spring force final pressure F2 approx. N
K0333.104	stainless steel	4	3	4,6	9	1	0,8	12	22
K0333.105	stainless steel	5	4	5,6	12	1	1	19	30
K0333.106	stainless steel	6	5	6,5	14	1	1,5	22	40
K0333.108	stainless steel	8	6	8,5	16	1	1,8	42	73
K0333.110	stainless steel	10	8	12	22	2,5	2,7	54	100
K0333.112	stainless steel	12	10	14	24	2,5	3,2	54	122

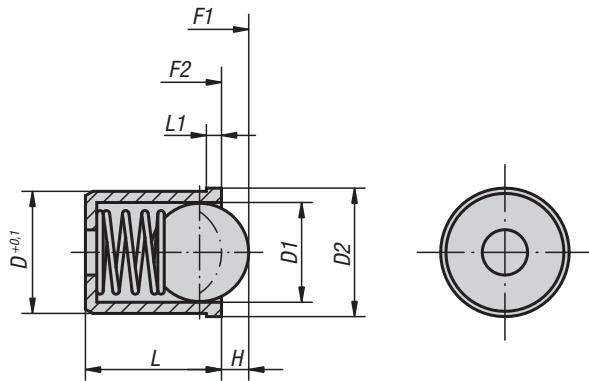
### KIPP Spring Plungers, push fit, POM ball, metric

Item No.	Ball	D	D1	D2	L	L1	H	Spring force initial pressure F1 approx. N	Spring force final pressure F2 approx. N
K0333.404	POM	4	3	4,6	9	1	0,8	12	22
K0333.405	POM	5	4	5,6	12	1	1	19	30
K0333.406	POM	6	5	6,5	14	1	1,5	22	40
K0333.408	POM	8	6	8,5	16	1	1,8	42	73
K0333.410	POM	10	8	12	22	2,5	2,7	54	100
K0333.412	POM	12	10	14	24	2,5	3,2	54	122

## Spring Plungers

push fit plastic

METRIC  
Parts



**Material:**

Body thermoplastic.  
Spring stainless steel wire.  
Ball stainless steel or POM.

**Type:**

Body black.  
Steel ball hardened and bright.  
Plastic ball white.

**Part Number Example:**

K0334.04

### KIPP Spring Plungers, push fit, plastic, metric, stainless steel ball

Item No.	Ball	D	D1	D2	H	L	L1	Spring force initial pressure F1 approx. N	Spring force final pressure F2 approx. N
K0334.04	stainless steel	4	3	4,6	0,7	5	1	3	7
K0334.05	stainless steel	5	4	5,6	1	6	1	4	7
K0334.06	stainless steel	6	5	6,5	1,5	7	1	6	12
K0334.08	stainless steel	8	6,5	8,5	1,8	9	1	6	12
K0334.10	stainless steel	10	8	12	2,7	13,5	2,5	10	20
K0334.12	stainless steel	12	10	14	3,5	16	2,5	15	25

### KIPP Spring Plungers, push fit, plastic, metric, plastic ball

Item No.	Ball	D	D1	D2	H	L	L1	Spring force initial pressure F1 approx. N	Spring force final pressure F2 approx. N
K0334.204	POM	4	3	4,6	0,7	5	1	3	7
K0334.205	POM	5	4	5,6	1	6	1	4	7
K0334.206	POM	6	5	6,5	1,5	7	1	6	12
K0334.208	POM	8	6,5	8,5	1,8	9	1	6	12
K0334.210	POM	10	8	12	2,7	13,5	2,5	10	20
K0334.212	POM	12	10	14	3,5	16	2,5	15	25

## Spring Plungers

push fit, with o-ring seal



**Material:**

Body, spring and ball stainless steel.  
O-ring NBR

**Type:**

Body bright.  
Ball hardened, bright.  
O-ring black.

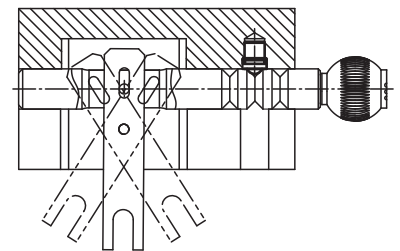
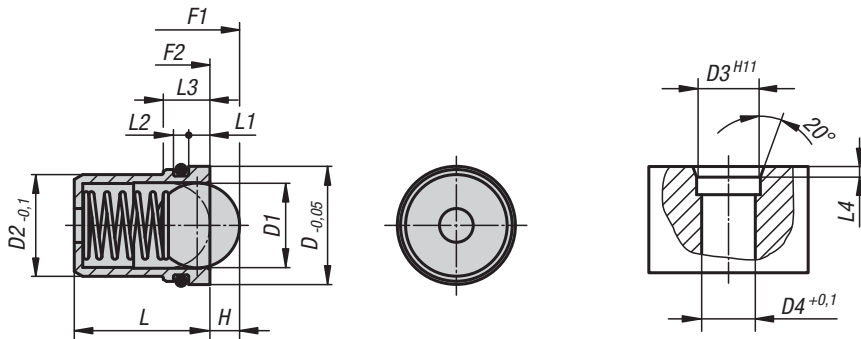
**Part Number Example:**

K0582.05

**Note:**

These Spring Plungers with O-ring are suitable for overhead installation or for installing in difficult to access positions.

They can be pressed into the location hole by hand or using simple assembly tools. The O-ring holds the plunger in place and prevents it falling out. Other components can be easily installed without the need for further assembly aids.



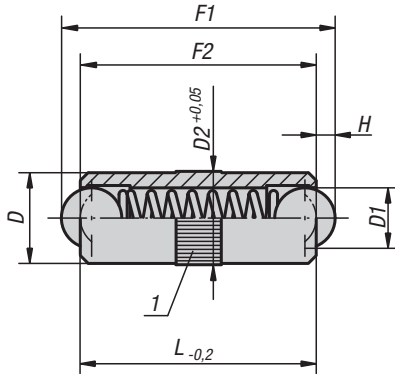
**KIPP Spring Plungers push fit, with o-ring seal, metric**

Item No.	D	D1	D2	D3	D4	H	L	L1	L2	L3	L4	Spring force initial pressure F1 approx. N	Spring force final pressure F2 approx. N
K0582.05	4,95	3	4	5	4,1	0,8	5	1	0,7	2,3	0,7	3	7
K0582.06	5,95	4	5	6	5,1	1	6	1	0,7	2,3	0,7	4	7
K0582.08	7,95	5	6	8	6,1	1,5	7	1,5	1,2	3,7	1	6	12
K0582.10	9,95	6,5	8	10	8,1	1,8	9	2	1,2	4,2	1,5	6	12
K0582.12	11,95	8	10	12	10,1	2,7	13,5	2,5	1,8	5,3	2	10	20
K0582.14	13,95	10	12	14	12,1	3,5	16	2,5	1,8	5,5	2	15	25

## Spring Plungers

smooth surface, double-sided

METRIC  
Parts



**Material:**

Body brass.  
Balls and spring stainless steel.

**Type:**

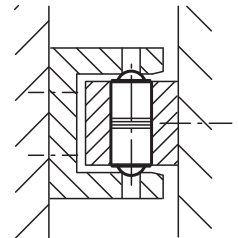
Balls hardened, bright.

**Part Number Example:**

K0337.10

**Drawing reference:**

1) knurl

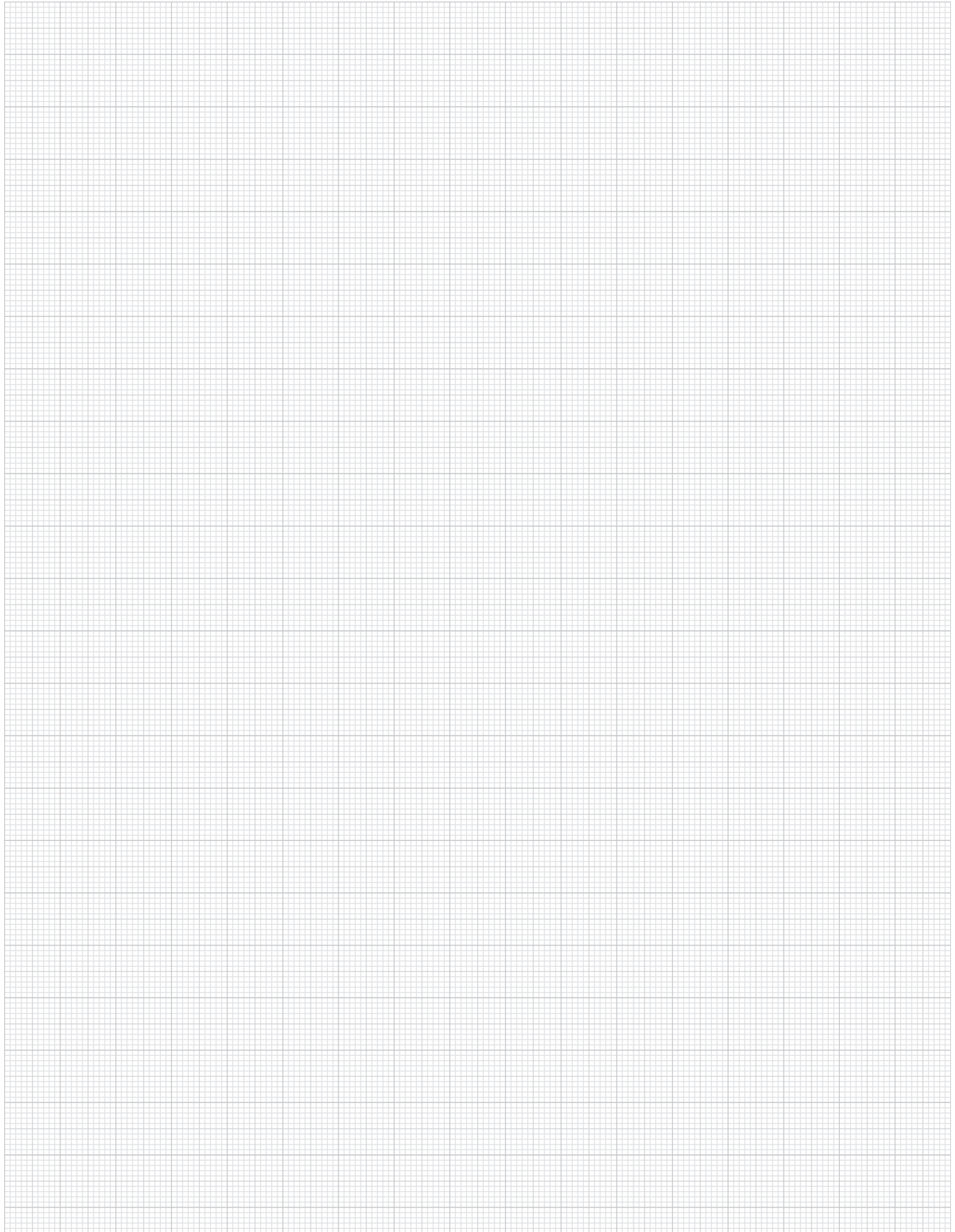


**KIPP Spring Plungers smooth surface, double-sided, metric**

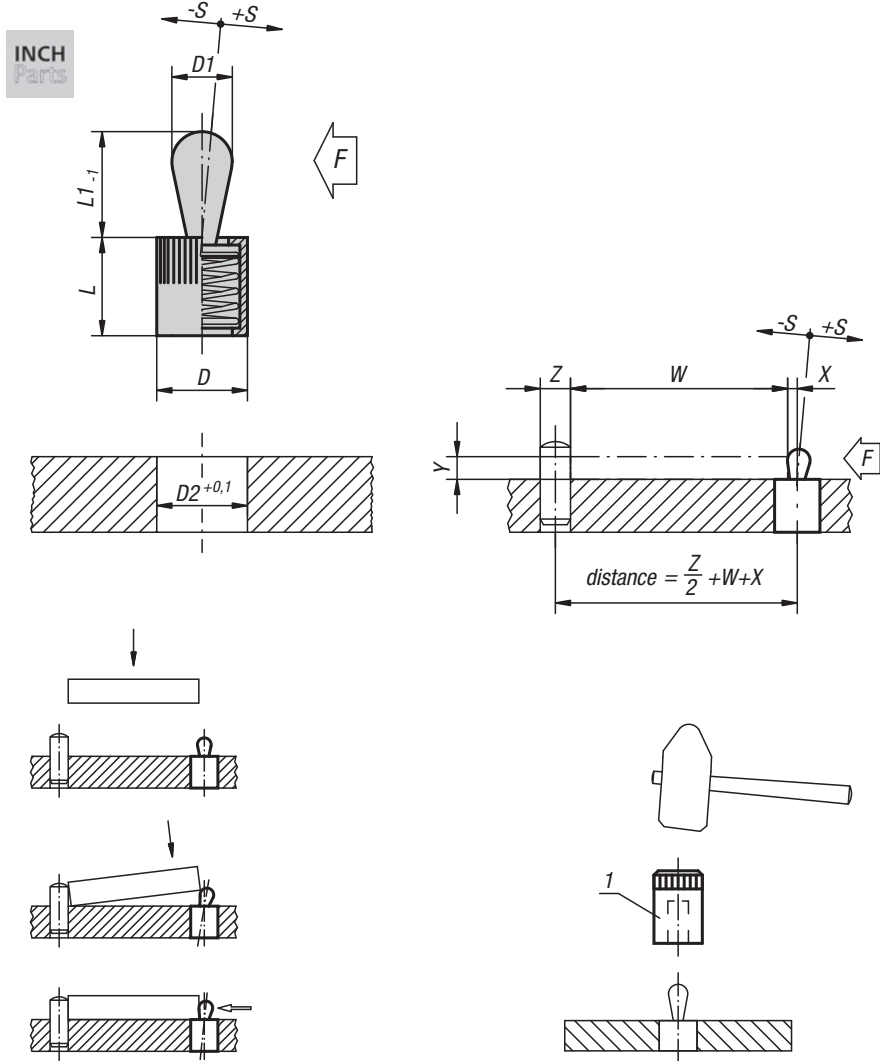
Item No.	D	D1	D2	L	H	Spring force initial pressure F1 approx. N	Spring force final pressure F2 approx. N
K0337.04	4	3	4,05	10	0,9	3	7
K0337.05	5	4	5,05	12	1,2	4	8
K0337.06	6	5	6,05	16	1,6	6	10
K0337.08	8	6	8,05	20	2	8	12
K0337.10	10	8	10,05	24	2,9	10	16



Notes:



## Lateral Spring Plungers



**Material:**  
 Body aluminum.  
 Spring steel wire.  
 Thrust pin steel or POM.

**Type:**  
 Steel thrust pin hardened and electro zinc-plated.  
 Body blue electro zinc-plated.

**Part Number Example:**  
 K0368.21034CM

**Note:**  
 Lateral Spring Plungers are for positioning, clamping, holding and fastening of workpieces during engraving, labeling, drilling, reaming, tapping, honing, grinding, welding, soldering, tooling, assembling, etc. Eccentric adjustment bushings see are also available.

Dimensions W and Z are customer specific.  
 For the inch series, dimension D and D2 are in inches, all other dimensions are in mm.

**Drawing reference:**  
 1) installation tool

### KIPP Lateral Spring Plungers without seal, thrust pin and spring in steel, inch

Item No.	D	D1	L	L1	D2	±S	F ca.N	X if Y = 1	X if Y = 2	X if Y = 3	X if Y = 4.5	X if Y = 6	X if Y = 8	Item No. installation tool
K0368.21034CM	1/4	3	7	4	1/4	0,5	10	0,8	1	1	1	1	1	K0369.03CM
K0368.21036CM	1/4	3	7	4	1/4	0,5	20	0,8	1	1	1	1	1	K0369.03CM
K0368.21038CM	1/4	3	7	4	1/4	0,5	40	0,8	1	1	1	1	1	K0369.03CM
K0368.21054CU	7/16	5	11	6,7	7/16	0,8	20	-	1,5	1,7	1,7	1,7	1,7	K0369.05CU
K0368.21056CU	7/16	5	11	6,7	7/16	0,8	50	-	1,5	1,7	1,7	1,7	1,7	K0369.05CU
K0368.21058CU	7/16	5	11	6,7	7/16	0,8	100	-	1,5	1,7	1,7	1,7	1,7	K0369.05CU
K0368.21064CU	7/16	6	11	10,7	7/16	1	40	-	-	-	1,7	1,9	1,9	K0369.05CU
K0368.21066CU	7/16	6	11	10,7	7/16	1	75	-	-	-	1,7	1,9	1,9	K0369.05CU
K0368.21068CU	7/16	6	11	10,7	7/16	1	150	-	-	-	1,7	1,9	1,9	K0369.05CU
K0368.21084CP	1/2	8	13	13,9	1/2	1,3	50	-	-	-	-	2,5	2,7	K0369.08CP
K0368.21086CP	1/2	8	13	13,9	1/2	1,3	100	-	-	-	-	2,5	2,7	K0369.08CP
K0368.21088CP	1/2	8	13	13,9	1/2	1,3	200	-	-	-	-	2,5	2,7	K0369.08CP
K0368.21104CQ	5/8	10	17	16,7	5/8	1,6	100	-	-	-	-	-	3,1	K0369.10CQ
K0368.21106CQ	5/8	10	17	16,7	5/8	1,6	200	-	-	-	-	-	3,1	K0369.10CQ
K0368.21108CQ	5/8	10	17	16,7	5/8	1,6	300	-	-	-	-	-	3,1	K0369.10CQ

## KIPP Lateral Spring Plungers with seal, thrust pin and spring in steel, inch

Item No.	D	D1	L	L1	D2	±S	F ca.N	X if Y = 1	X if Y = 2	X if Y = 3	X if Y = 4.5	X if Y = 6	X if Y = 8	Item No. installation tool
K0368.22034CM	1/4	3	7	4	1/4	0,5	10	0,8	1	1	1	1	1	K0369.03CM
K0368.22036CM	1/4	3	7	4	1/4	0,5	20	0,8	1	1	1	1	1	K0369.03CM
K0368.22038CM	1/4	3	7	4	1/4	0,5	40	0,8	1	1	1	1	1	K0369.03CM
K0368.22054CU	7/16	5	12	6	7/16	0,8	20	-	1,5	1,7	1,7	1,7	1,7	K0369.05CU
K0368.22056CU	7/16	5	12	6	7/16	0,8	50	-	1,5	1,7	1,7	1,7	1,7	K0369.05CU
K0368.22058CU	7/16	5	12	6	7/16	0,8	100	-	1,5	1,7	1,7	1,7	1,7	K0369.05CU
K0368.22064CU	7/16	6	12	10	7/16	1	40	-	-	-	1,7	1,9	1,9	K0369.05CU
K0368.22066CU	7/16	6	12	10	7/16	1	75	-	-	-	1,7	1,9	1,9	K0369.05CU
K0368.22068CU	7/16	6	12	10	7/16	1	150	-	-	-	1,7	1,9	1,9	K0369.05CU
K0368.22084CP	1/2	8	14	13	1/2	1,3	50	-	-	-	-	2,5	2,7	K0369.08CP
K0368.22086CP	1/2	8	14	13	1/2	1,3	100	-	-	-	-	2,5	2,7	K0369.08CP
K0368.22088CP	1/2	8	14	13	1/2	1,3	200	-	-	-	-	2,5	2,7	K0369.08CP
K0368.22104CQ	5/8	10	18	16	5/8	1,6	100	-	-	-	-	-	3,1	K0369.10CQ
K0368.22106CQ	5/8	10	18	16	5/8	1,6	200	-	-	-	-	-	3,1	K0369.10CQ
K0368.22108CQ	5/8	10	18	16	5/8	1,6	300	-	-	-	-	-	3,1	K0369.10CQ

## KIPP Lateral Spring Plungers without seal, thrust pin in POM, spring in steel, inch

Item No.	D	D1	L	L1	D2	±S	F ca.N	X if Y = 1	X if Y = 2	X if Y = 3	X if Y = 4.5	X if Y = 6	X if Y = 8	Item No. installation tool
K0368.71034CM	1/4	3	7	4	1/4	0,5	10	0,8	1	1	1	1	1	K0369.03CM
K0368.71054CU	7/16	5	11	6,7	7/16	0,8	20	-	1,5	1,7	1,7	1,7	1,7	K0369.05CU
K0368.71064CU	7/16	6	11	10,7	7/16	1	40	-	-	-	1,7	1,9	1,9	K0369.05CU
K0368.71084CP	1/2	8	13	13,9	1/2	1,3	50	-	-	-	-	2,5	2,7	K0369.08CP
K0368.71104CQ	5/8	10	17	16,7	5/8	1,6	100	-	-	-	-	-	3,1	K0369.10CQ

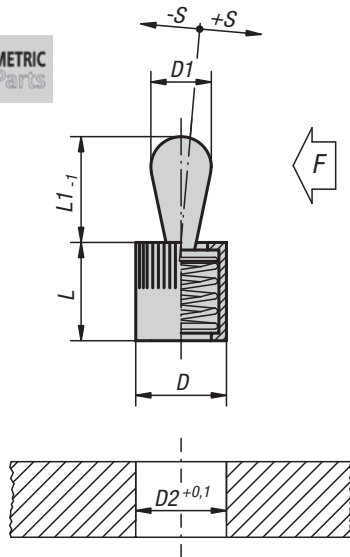
## KIPP Lateral Spring Plungers with seal, thrust pin in POM, spring in steel, inch

Item No.	D	D1	L	L1	D2	±S	F ca.N	X if Y = 1	X if Y = 2	X if Y = 3	X if Y = 4.5	X if Y = 6	X if Y = 8	Item No. installation tool
K0368.72034CM	1/4	3	7	4	1/4	0,5	10	0,8	1	1	1	1	1	K0369.03CM
K0368.72054CU	7/16	5	12	6	7/16	0,8	20	-	1,5	1,7	1,7	1,7	1,7	K0369.05CU
K0368.72064CU	7/16	6	12	10	7/16	1	40	-	-	-	1,7	1,9	1,9	K0369.05CU
K0368.72084CP	1/2	8	14	13	1/2	1,3	50	-	-	-	-	2,5	2,7	K0369.08CP
K0368.72104CQ	5/8	10	18	16	5/8	1,6	100	-	-	-	-	-	3,1	K0369.10CQ

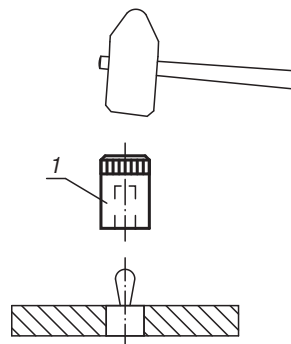
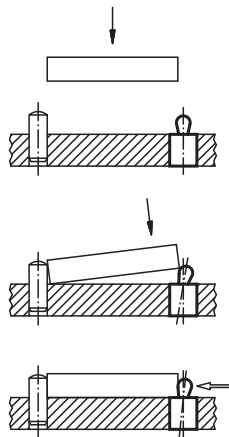
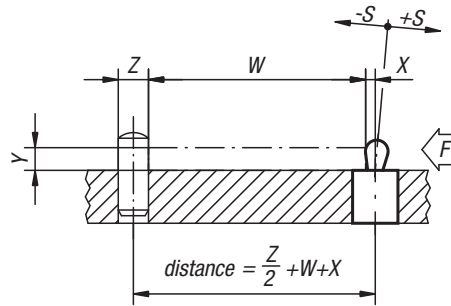
## Lateral Spring Plungers



METRIC  
Parts



New Item



**Material:**  
Body aluminum.  
Spring steel wire.  
Thrust pin steel or POM.

**Type:**  
Steel thrust pin hardened and electro zinc-plated.  
Body blue electro zinc-plated.

**Part Number Example:**  
K0368.21034CM

**Note:**  
Lateral Spring Plungers are for positioning, clamping, holding and fastening of workpieces during engraving, labeling, drilling, reaming, tapping, honing, grinding, welding, soldering, tooling, assembling, etc. Eccentric adjustment bushings see are also available.

Dimensions W and Z are customer specific.  
For the inch series, dimension D and D2 are in inches, all other dimensions are in mm.

**Drawing reference:**  
1) installation tool

### KIPP Lateral Spring Plungers without seal, thrust pin and spring in steel, metric

Item No.	D	D1	L	L1	D2	±S	F ca.N	X if Y = 1	X if Y = 2	X if Y = 3	X if Y = 4.5	X if Y = 6	X if Y = 8	Item No. installation tool
K0368.21034	6	3	7	4	6	0,5	10	0,8	1	1	1	1	1	K0369.03
K0368.21036	6	3	7	4	6	0,5	20	0,8	1	1	1	1	1	K0369.03
K0368.21038	6	3	7	4	6	0,5	40	0,8	1	1	1	1	1	K0369.03
K0368.21054	10	5	11	6,7	10	0,8	20	-	1,5	1,7	1,7	1,7	1,7	K0369.05
K0368.21056	10	5	11	6,7	10	0,8	50	-	1,5	1,7	1,7	1,7	1,7	K0369.05
K0368.21058	10	5	11	6,7	10	0,8	100	-	1,5	1,7	1,7	1,7	1,7	K0369.05
K0368.21064	10	6	11	10,7	10	1	40	-	-	-	1,7	1,9	1,9	K0369.05
K0368.21066	10	6	11	10,7	10	1	75	-	-	-	1,7	1,9	1,9	K0369.05
K0368.21068	10	6	11	10,7	10	1	100	-	-	-	1,7	1,9	1,9	K0369.05
K0368.21084	12	8	13	13,9	12	1,3	50	-	-	-	-	2,5	2,7	K0369.08
K0368.21086	12	8	13	13,9	12	1,3	100	-	-	-	-	2,5	2,7	K0369.08
K0368.21088	12	8	13	13,9	12	1,3	150	-	-	-	-	2,5	2,7	K0369.08
K0368.21104	16	10	17	16,7	16	1,6	100	-	-	-	-	-	3,1	K0369.10
K0368.21106	16	10	17	16,7	16	1,6	150	-	-	-	-	-	3,1	K0369.10
K0368.21108	16	10	17	16,7	16	1,6	200	-	-	-	-	-	3,1	K0369.10

**KIPP Lateral Spring Plungers with seal, thrust pin and spring in steel, metric**

Item No.	D	D1	L	L1	D2	±S	F ca.N	X if Y = 1	X if Y = 2	X if Y = 3	X if Y = 4.5	X if Y = 6	X if Y = 8	Item No. installation tool
K0368.22034	6	3	7	4	6	0,5	10	0,8	1	1	1	1	1	K0369.03
K0368.22036	6	3	7	4	6	0,5	20	0,8	1	1	1	1	1	K0369.03
K0368.22038	6	3	7	4	6	0,5	40	0,8	1	1	1	1	1	K0369.03
K0368.22054	10	5	12	6	10	0,8	20	-	1,5	1,7	1,7	1,7	1,7	K0369.05
K0368.22056	10	5	12	6	10	0,8	50	-	1,5	1,7	1,7	1,7	1,7	K0369.05
K0368.22058	10	5	12	6	10	0,8	100	-	1,5	1,7	1,7	1,7	1,7	K0369.05
K0368.22064	10	6	12	10	10	1	40	-	-	-	1,7	1,9	1,9	K0369.05
K0368.22066	10	6	12	10	10	1	75	-	-	-	1,7	1,9	1,9	K0369.05
K0368.22068	10	6	12	10	10	1	100	-	-	-	1,7	1,9	1,9	K0369.05
K0368.22084	12	8	14	13	12	1,3	50	-	-	-	-	2,5	2,7	K0369.08
K0368.22086	12	8	14	13	12	1,3	100	-	-	-	-	2,5	2,7	K0369.08
K0368.22088	12	8	14	13	12	1,3	150	-	-	-	-	2,5	2,7	K0369.08
K0368.22104	16	10	18	16	16	1,6	100	-	-	-	-	-	3,1	K0369.10
K0368.22106	16	10	18	16	16	1,6	150	-	-	-	-	-	3,1	K0369.10
K0368.22108	16	10	18	16	16	1,6	200	-	-	-	-	-	3,1	K0369.10

**KIPP Lateral Spring Plungers without seal, thrust pin in POM, spring in steel, metric**

Item No.	D	D1	L	L1	D2	±S	F ca.N	X if Y = 1	X if Y = 2	X if Y = 3	X if Y = 4.5	X if Y = 6	X if Y = 8	Item No. installation tool
K0368.71034	6	3	7	4	6	0,5	10	0,8	1	1	1	1	1	K0369.03
K0368.71054	10	5	11	6,7	10	0,8	20	-	1,5	1,7	1,7	1,7	1,7	K0369.05
K0368.71064	10	6	11	10,7	10	1	40	-	-	-	1,7	1,9	1,9	K0369.05
K0368.71084	12	8	13	13,9	12	1,3	50	-	-	-	-	2,5	2,7	K0369.08
K0368.71104	16	10	17	16,7	16	1,6	100	-	-	-	-	-	3,1	K0369.10

**KIPP Lateral Spring Plungers with seal, thrust pin in POM, spring in steel, metric**

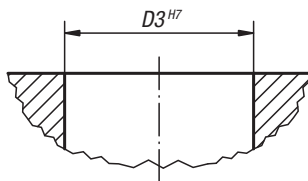
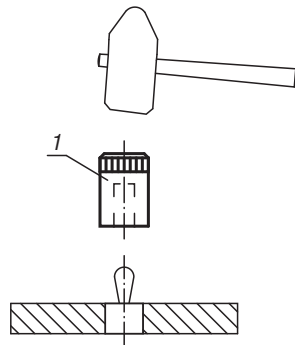
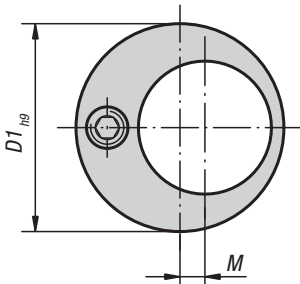
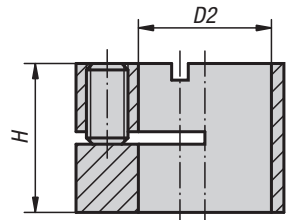
Item No.	D	D1	L	L1	D2	±S	F ca.N	X if Y = 1	X if Y = 2	X if Y = 3	X if Y = 4.5	X if Y = 6	X if Y = 8	Item No. installation tool
K0368.72034	6	3	7	4	6	0,5	10	0,8	1	1	1	1	1	K0369.03
K0368.72054	10	5	12	6	10	0,8	20	-	1,5	1,7	1,7	1,7	1,7	K0369.05
K0368.72064	10	6	12	10	10	1	40	-	-	-	1,7	1,9	1,9	K0369.05
K0368.72084	12	8	14	13	12	1,3	50	-	-	-	-	2,5	2,7	K0369.08
K0368.72104	16	10	18	16	16	1,6	100	-	-	-	-	-	3,1	K0369.10

## Eccentric Bushings and assembly tools

for lateral spring plungers



INCH  
Parts



**Material:**  
Steel.

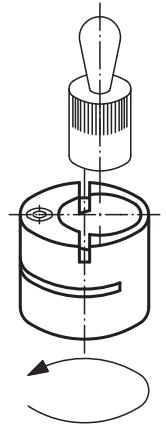
**Type:**  
Black oxide finish.

**Part Number Example:**  
K0369.03CM

**Note:**  
Eccentric Bushings enable Lateral Spring Plungers to be precisely positioned with regard to the workpiece.

For the inch series, dimension D, D1, D2 and D3 are in inches, all other dimensions are in mm.

**Drawing reference:**  
1) installation tool



### KIPP Assembly tools, inch

Item No.	Suitable for Lateral Spring Plungers with D =
K0369.03CM	1/4
K0369.05CU	7/16
K0369.08CP	1/2
K0369.10CQ	5/8

### KIPP Eccentric Bushings for lateral spring plungers, inch

Item No.	D1	D2	D3	H	M	Suitable for Lateral Spring Plungers with D =
K0369.120CM	1/2	1/4	1/2	9,9	2	1/4
K0369.160CU	11/16	7/16	11/16	11,9	2	7/16
K0369.180CP	3/4	1/2	3/4	13,9	2	1/2
K0369.250CQ	1	5/8	1	17,9	3	5/8

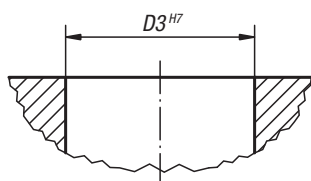
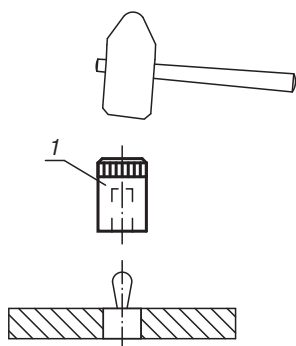
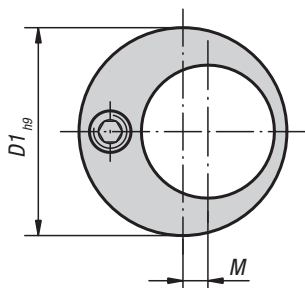
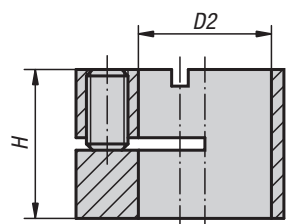
## Eccentric Bushings and assembly tools

for lateral spring plungers



METRIC  
Parts

New Item



**Material:**

Steel.

**Type:**

Black oxide finish.

**Part Number Example:**

K0369.03CM

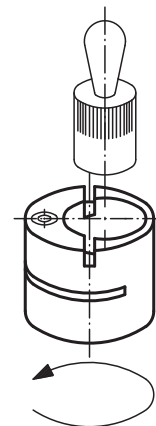
**Note:**

Eccentric Bushings enable Lateral Spring Plungers to be precisely positioned with regard to the workpiece.

For the inch series, dimension D, D1, D2 and D3 are in inches, all other dimensions are in mm.

**Drawing reference:**

1) installation tool



### KIPP Assembly tools, metric

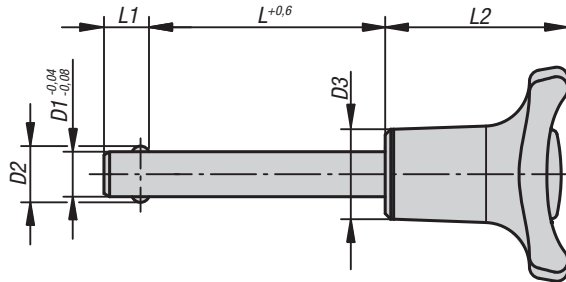
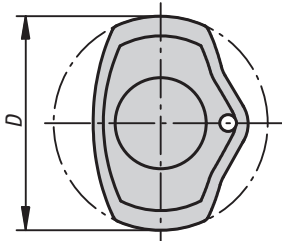
Item No.	Suitable for Lateral Spring Plungers with D =
K0369.03	6
K0369.05	10
K0369.08	12
K0369.10	16

### KIPP Eccentric Bushings for lateral spring plungers, metric

Item No.	D1	D2	D3	H	M	Suitable for Lateral Spring Plungers with D =
K0369.120	12	6	12	9,9	2	6
K0369.160	16	10	16	11,9	2	10
K0369.180	18	12	18	13,9	2	12
K0369.250	25	16	25	17,9	3	16

## Ball Lock Pins

self locking



**Material:**  
Grip and push button thermoplastic.  
Steel parts stainless steel.

**Type:**  
Grip, black.  
Push button, red  
Steel parts, bright.

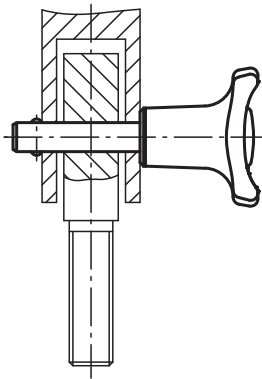
**Part Number Example:**  
K0363.3806050  
(include length L e.g. 050 for L = 50 mm)

**Note:**  
Ball Lock Pins are used for quick and easy fastening and joining of parts and workpieces.  
The two balls are disengaged by pressing the push button and the pin can be slipped into holes in the workpieces. Release the button to lock the balls and secure the connection.

Shear force double-shear (F) = S · τ aB max.

**Accessories:**  
Bushing for ball lock pins K0724  
Safety Spiral Cable K0367  
Retaining Cable with eye K0367  
Pin Retaining Ring K0367

**Part Number Example (inch):**  
Ball Lock Pin K0363.38CLL08  
(include length L,  
e.g. L08 for L = 0,5)  
0,5 = L08  
0,75 = L12  
1 = L16  
1,25 = L20  
1,5 = L24  
1,75 = L28  
2 = L32  
2,5 = L36  
3 = L40



### KIPP Ball Lock Pins, self-locking, inch

Item No.	D	D1	D2	D3	L	L1	L2	Receiving hole H11	Shear force kN
K0363.38CL***	38	3/16	5,25	16	0,5/0,75/1,0/1,25	6	32,5	3/16	13
K0363.38CM***	38	1/4	7,2	16	0,5/0,75/1,0/1,25/1,5/1,75/2,0	6,9	32,5	1/4	24
K0363.38CN***	38	5/16	9,5	16	1,0/1,25/1,5/1,75/2,0	7,9	32,5	5/16	38
K0363.47C0***	47	3/8	11,5	23	1,0/1,25/1,5/1,75/2,0	8,8	40	3/8	54
K0363.47CU***	47	7/16	13	23	1,0/1,25/1,5/1,75/2,0/2,5/3,0	9,7	40	7/16	74
K0363.47CP***	47	1/2	15	23	1,0/1,25/1,5/1,75/2,0/2,5/3,0	10	40	1/2	96
K0363.47CQ***	47	5/8	19	23	1,0/1,25/1,5/1,75/2,0/2,5/3,0	13,3	40	5/8	150

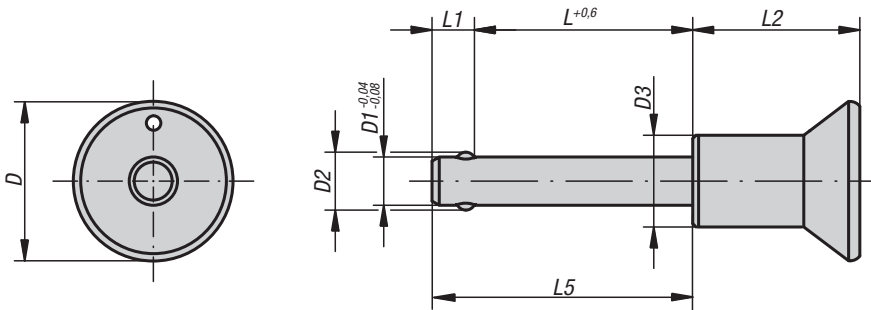
### KIPP Ball Lock Pins, self-locking, metric

Item No.	D	D1	D2	D3	L	L1	L2	L5	Receiving hole H11	Shearing force double shear max. kN
K0363.3805***	38	5	5,5	16	10/15/20/25/30	6	32,5	16/21/26/31/36	5	15
K0363.3806***	38	6	6,85	16	10/15/20/25/30/35/40/45/50	7	32,5	17/22/27/32/37/42/47/52/57	6	22
K0363.3808***	38	8	9,5	16	20/25/30/35/40/45/50	8	32,5	28/33/38/43/48/53/58	8	38
K0363.4710***	47	10	12	23	20/25/30/35/40/45/50/60	9	40	29/34/39/44/49/54/59/69	10	60
K0363.4712***	47	12	14,5	23	25/30/35/40/45/50/60/70/80	10	40	35/40/45/50/55/60/70/80/90	12	86
K0363.4716***	47	16	19	23	30/35/40/45/50/60/70/80	13	40	43/48/53/58/63/73/83/93	16	153



## Ball Lock Pins

Button Head Style, self-locking, stainless steel



**Material:**  
Steel parts stainless steel.

**Type:**  
Bright.

**Part Number Example:**  
K0364.3110030  
(include length L e.g. 030 for L = 30 mm.)

**Note:**  
For the inch series, dimensions D1 and L are in inches, all other dimensions are in mm. Use table at left to match desired L with part number suffix.  
Ball Lock Pins are used for quick and easy fastening and joining of parts and workpieces. The two balls are disengaged by pressing the push button and the pin can be slipped into holes in the workpieces. Release the button to lock the balls and secure the connection.  
Corrosion resistant.  
Option for connecting retaining cable.  
Application temperature max. +250 °C.

**Accessories:**  
Bushing for ball lock pins K0724  
Safety Spiral Cable K0367  
Retaining Cable with eye K0367  
Pin Retaining Ring K0367

**Part Number Example (inch):**  
Ball Lock Pin K0364.23CLL08  
(include length L, e.g. L08 for L = 0,5")  
0,5 = L08  
0,75 = L12  
1 = L16  
1,25 = L20  
1,5 = L24  
1,75 = L28  
2 = L32  
2,5 = L36  
3 = L40

Shear force double-shear (F) = S · τ aB max.

### KIPP Ball Lock Pins, button head style, self-locking, stainless steel, inch

Item No.	D	D1	D2	D3	L	L1	L2	L5	Receiving hole H11	Shearing force double shear max. kN
K0364.23CL***	25	3/16	5,25	14	0,5/0,75/1,0/1,25	6	26,5	-	3/16	13
K0364.23CM***	25	1/4	7,2	14	0,5/0,75/1,0/1,25/1,5/1,75/2,0	6,9	26,5	-	1/4	24
K0364.23CN***	25	5/16	9,5	14	1,0/1,25/1,5/1,75/2,0	7,9	26,5	-	5/16	38
K0364.31C0***	33	3/8	11,5	19	1,0/1,25/1,5/1,75/2,0	8,8	34,6	-	3/8	54
K0364.31C1***	33	7/16	13	19	1,0/1,25/1,5/1,75/2,0/2,5/3,0	9,7	34,6	-	7/16	74
K0364.31C2***	33	1/2	15	19	1,0/1,25/1,5/1,75/2,0/2,5/3,0	10	34,6	-	1/2	96
K0364.31C3***	33	5/8	19	20	1,0/1,25/1,5/1,75/2,0/2,5/3,0	13,3	34,6	-	5/8	150

### KIPP Ball Lock Pins, button head style, self-locking, stainless steel, metric

Item No.	D	D1	D2	D3	L	L1	L2	L5	Receiving hole H11	Shearing force double shear max. kN
K0364.2305***	25	5	5,5	14	10/15/20/25/30	6	26,5	16/21/26/31/36	5	15
K0364.2306***	25	6	6,85	14	10/15/20/25/30/35/40/45/50	7	26,5	17/22/27/32/37/42/47/52/57	6	22
K0364.2308***	25	8	9,5	14	20/25/30/35/40/45/50	8	26,5	28/33/38/43/48/53/58	8	38
K0364.3110***	33	10	12	19	20/25/30/35/40/45/50/60	9	34,6	29/34/39/44/49/54/59/69	10	60
K0364.3112***	33	12	14,5	19	25/30/35/40/45/50/60/70/80	10	34,6	35/40/45/50/55/60/70/80/90	12	86
K0364.3116***	33	16	19	20	30/35/40/45/50/60/70/80	13,3	34,6	43,3/48,3/53,3/58,3/63,3/73,3/83,3/93,3	16	153

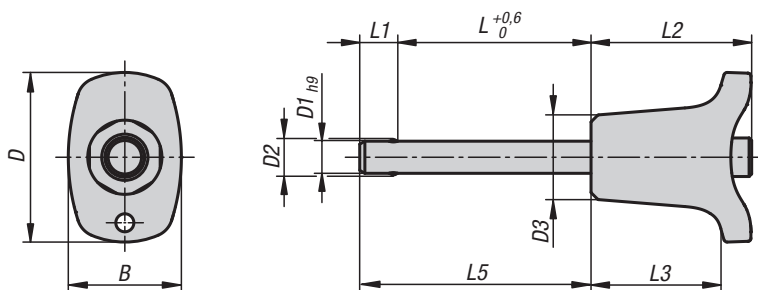
## Ball Lock Pins

self-locking



METRIC  
Parts

New Item



**Material:**

Grip thermoplastic.  
Steel parts stainless steel 1.4305 (AISI 303 equivalent).

**Type:**

Grip black.  
Stainless steel bright.

**Part Number Example:**

K0792.002606050  
(include length L e.g. 050 for L = 50 mm.)

**Note:**

Ball Lock Pins are used for quick and easy fastening and joining of parts and workpieces. The two balls are disengaged by pressing the push button and the pin can be slipped into holes in the workpieces. Release the button to lock the balls and secure the connection. An option for connecting a retaining cable is provided.

Shear force double-shear (F) = S · τ aB max.

**Accessories:**

- Bushing for ball lock pins K0724
- Safety Spiral Cable K0367
- Retaining Cable with eye K0367
- Pin Retaining Ring K0367

### KIPP Ball Lock Pins self-locking

Item No.	B	D	D1	D2	D3	L	L1	L2	L3	L5	Receiving hole H11	Shearing force double shear max. kN
K0792.002605***	17,6	26,4	5	5,5	13,2	10/15/20/25/30	5,9	25	20,2	15,9/20,9/25,9/30,9/35,9	5	15
K0792.002606***	17,6	26,4	6	6,85	13,2	10/15/20/25/30/35/40/45/50	6,8	25	20,2	16,8/21,8/26,8/31,8/36,8/41,8/46,8/51,8/56,8	6	22
K0792.003308***	23	33,2	8	9,5	17,3	35/25/30/20/50/45/40	7,8	33	26,1	42,8/32,8/37,8/27,8/57,8/52,8/47,8	8	38
K0792.003310***	23	33,2	10	12	17,3	20/25/30/35/40/45/50/60	8,9	33	26,1	28,9/33,9/38,9/43,9/48,9/53,9/58,9/68,9	10	60
K0792.004612***	33	45,9	12	14,5	26,3	25/30/35/40/45/50/60/70/80	9,9	39,5	31,3	34,9/39,9/44,9/49,9/54,9/59,9/69,9/79,9/89,9	12	86
K0792.004616***	33	45,9	16	19	26,3	30/35/40/45/50/60/70/80	13,1	39,5	31,3	43,1/48,1/53,1/58,1/63,1/73,1/83,1/93,1	16	153

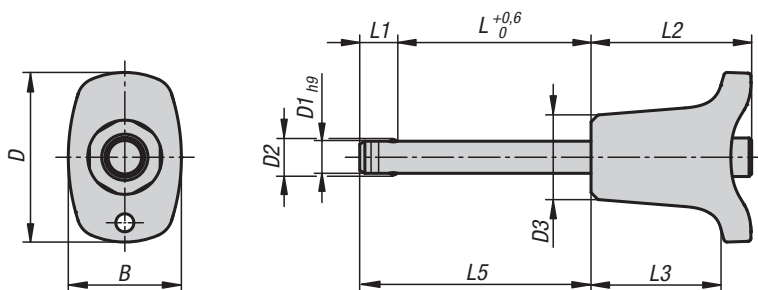
## Ball Lock Pins

self-locking, precipitation hardened



METRIC  
Parts

New Item



**Material:**

Grip thermoplastic.  
 Push button stainless steel 1.4305 (AISI 303 equivalent).  
 Pin stainless steel 1.4542 (AISI "630" equivalent).  
 Balls stainless steel 1.4125 (AISI 440C equivalent).  
 Spring stainless steel wire 1.4310 (AISI 310 equivalent).

**Type:**

Grip black.  
 Stainless steel bright.

**Part Number Example:**

K0792.012606050  
 (include length L e.g. 050 for L = 50 mm.)

**Note:**

Ball Lock Pins are used for quick and easy fastening and joining of parts and workpieces. The two balls are disengaged by pressing the push button and the pin can be slipped into holes in the workpieces. Release the button to lock the balls and secure the connection.

Shearing force double shear (F) = S · τ · aB max.

1.4542 stainless steel ball lock pins have identification grooves.

**Benefits:**

Higher loading in comparison to the standard ball lock pins. The pins made from 1.4542 stainless steel is hardened, has a higher shear resistance and is extremely durable.

**Accessories:**

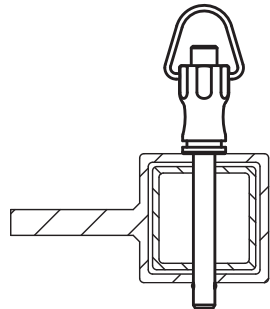
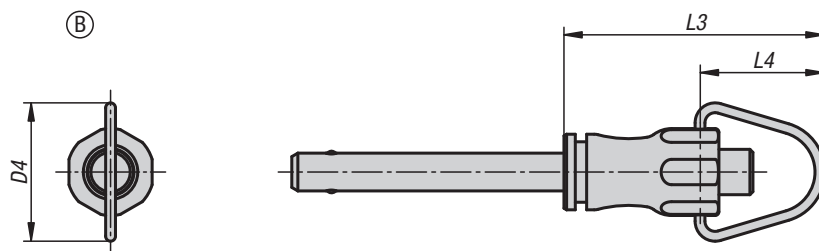
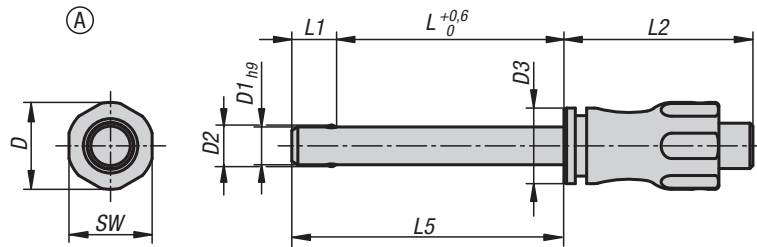
- Bushing for ball lock pins K0724
- Safety Spiral Cable K0367
- Retaining Cable with eye K0367
- Pin Retaining Ring K0367

**KIPP Ball Lock Pins, self-locking, precipitation hardened**

Item No.	B	D	D1	D2	D3	L	L1	L2	L3	L5	Receiving hole H11	Shearing force double shear max. kN
K0792.012605***	17,6	26,4	5	5,5	13,2	10/15/20/25/30	5,9	25	20,2	15,9/20,9/25,9/30,9/35,9	5	24
K0792.012606***	17,6	26,4	6	6,85	13,2	10/15/20/25/30/35/40/45/50	6,8	25	20,2	16,8/21,8/26,8/31,8/36,8/41,8/46,8/51,8/56,8	6	35
K0792.013308***	23	33,2	8	9,5	17,3	20/25/30/35/40/45/50	7,8	33	26,1	27,8/32,8/37,8/42,8/47,8/52,8/57,8	8	63
K0792.013310***	23	33,2	10	12	17,3	20/25/30/35/40/45/50/60	8,9	33	26,1	28,9/33,9/38,9/43,9/48,9/53,9/58,9/63,9	10	100
K0792.014612***	33	45,9	12	14,5	26,3	25/30/35/40/45/50/60/70/80	9,9	39,5	31,3	34,9/39,9/44,9/49,9/54,9/59,9/64,9/69,9/74,9/79,9/84,9	12	144
K0792.014616***	33	45,9	16	19	26,3	30/35/40/45/50/60/70/80	13,1	39,5	31,3	43,1/48,1/53,1/58,1/63,1/68,1/73,1/78,1/83,1/88,1	16	257

## Ball Lock Pins

stainless steel, self-locking



**Material:**

Grip and push button stainless steel 1.4305 (AISI 303 equivalent).  
Pin stainless steel 1.4305 (AISI 303 equivalent).  
Balls stainless steel 1.4125 (AISI 440C equivalent).  
Spring and hanger stainless steel wire 1.4310 (AISI 310 equivalent).

**Type:**

Bright.

**Part Number Example:**

K0790.001508050  
(include length L e.g. 050 for L = 50 mm)

**Note:**

Ball Lock Pins are used for quick and easy fastening and joining of parts and workpieces. The two balls are disengaged by pressing the push button and the pin can be slipped into holes in the workpieces. Release the button to lock the balls and secure the connection.

Shear force double-shear (F) = S · τ aB max.

**Accessories:**

- Bushing for ball lock pins K0724
- Safety Spiral Cable K0367
- Retaining Cable with eye K0367
- Pin Retaining Ring K0367

**KIPP Ball Lock Pins stainless steel self-locking, Style A, metric**

Item No. Style A	D	D1	D2	D3	L	L1	L2	L5	SW	Receiving hole H11	Shearing force double shear max. kN
K0790.001205***	11,5	5	5,5	10	10/15/20/25/30	5,9	25	15,9/20,9/25,9/30,9/35,9	11	5	15
K0790.001206***	11,5	6	6,85	10	10/15/20/25/30/35/40/45/50	6,8	25	16,8/21,8/26,8/31,8/36,8/41,8/46,8/51,8/56,8	11	6	22
K0790.001508***	15,5	8	9,5	13,5	20/25/30/35/40/45/50	7,8	33	27,8/32,8/37,8/42,8/47,8/52,8/57,8	15	8	38
K0790.001510***	15,5	10	12	13,5	20/25/30/35/40/45/50/60	8,9	33	28,9/33,9/38,9/43,9/48,9/53,9/58,9/68,9	15	10	60
K0790.002112***	22	12	14,5	20	25/30/35/40/45/50/60/70/80	9,9	39,5	34,9/39,9/44,9/49,9/54,9/59,9/69,9/79,9/89,9	21	12	86
K0790.002116***	22	16	19	20	30/35/40/45/50/60/70/80	13,1	39,5	43,1/48,1/53,1/58,1/63,1/73,1/83,1/93,1	21	16	153

**KIPP Ball Lock Pins stainless steel self-locking, Style B, metric**

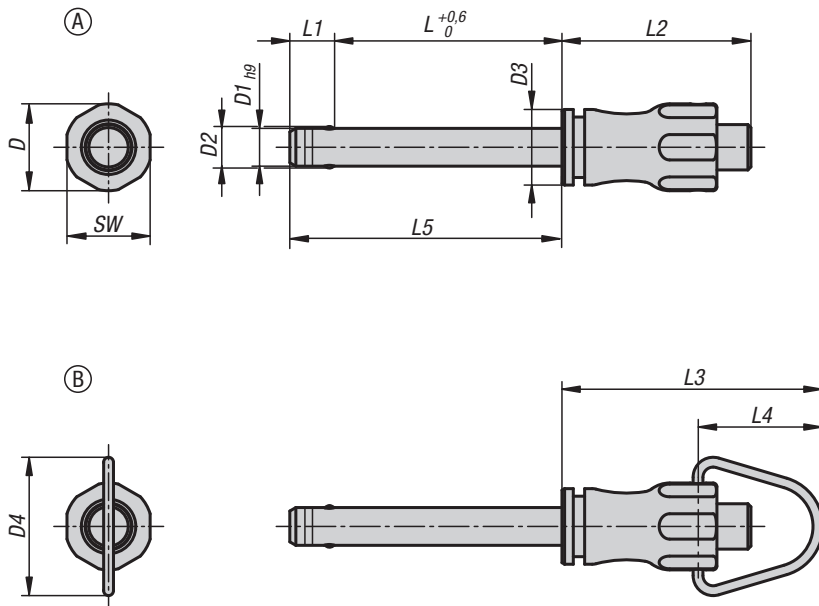
Item No. Style B	D	D1	D2	D3	D4	L	L1	L2	L3	L4	L5	SW	Receiving hole H11	Shearing force double shear max. kN
K0790.101205***	11,5	5	5,5	10	18,3	10/15/20/25/30	5,9	25	34,6	16,6	15,9/20,9/25,9/30,9/35,9	11	5	15
K0790.101206***	11,5	6	6,85	10	18,3	10/15/20/25/30/35/40/45/50	6,8	25	34,6	16,6	16,8/21,8/26,8/31,8/36,8/41,8/46,8/51,8/56,8	11	6	22
K0790.101508***	15,5	8	9,5	13,5	24	20/25/30/35/40/45/50	7,8	33	46,7	22,7	27,8/32,8/37,8/42,8/47,8/52,8/57,8	15	8	38
K0790.101510***	15,5	10	12	13,5	24	20/25/30/35/40/45/50/60	8,9	33	46,7	22,7	28,9/33,9/38,9/43,9/48,9/53,9/58,9/68,9	15	10	60
K0790.102112***	22	12	14,5	20	33	25/30/35/40/45/50/60/70/80	9,9	39,5	59,3	30,3	34,9/39,9/44,9/49,9/54,9/59,9/69,9/79,9/89,9	21	12	86
K0790.102116***	22	16	19	20	33	30/35/40/45/50/60/70/80	13,1	39,5	59,3	30,3	43,1/48,1/53,1/58,1/63,1/73,1/83,1/93,1	21	16	153

## Ball Lock Pins

stainless steel, self-locking, precipitation hardened



New Item



**Material:**

Grip and push button stainless steel 1.4305 (AISI 303 equivalent).  
 Pin stainless steel 1.4542 (AISI "630" equivalent).  
 Balls stainless steel 1.4125 (AISI 440C equivalent).  
 Spring and hanger stainless steel wire 1.4310 (AISI 310 equivalent).

**Type:**

Bright.

**Part Number Example:**

K0790.011508050  
 (include length L e.g. 050 for L = 50 mm)

**Note:**

Ball Lock Pins are used for quick and easy fastening and joining of parts and workpieces. The two balls are disengaged by pressing the push button and the pin can be slipped into holes in the workpieces. Release the button to lock the balls and secure the connection.

**Accessories:**

Safety Spiral Cable K0367.10200  
 Retaining Cable with eye K0367. ....  
 Pin Retaining Ring K0367.15/19/23  
 Bushing for ball lock pins K0724....

Shearing force double shear (F) = S · τ aB max.

1.4542 stainless steel ball lock pins have identification grooves.

**Benefits:**

- Higher loading in comparison to the standard ball lock pins

**KIPP Ball Lock Pins, stainless steel, self locking, precipitation hardened, Style A, metric**

Item No. Style A	D	D1	D2	D3	L	L1	L2	L5	SW	Receiving hole H11	Shearing force double shear max. kN
K0790.011205***	11,5	5	5,5	10	10/15/20/25/30	5,9	25	15,9/20,9/25,9/30,9/35,9	11	5	24
K0790.011206***	11,5	6	6,85	10	10/15/20/25/30/35/40/45/50	6,8	25	16,8/21,8/26,8/31,8/36,8/41,8/46,8/51,8/56,8	11	6	35
K0790.011508***	15,5	8	9,5	13,5	20/25/30/35/40/45/50	7,8	33	27,8/32,8/37,8/42,8/47,8/52,8/57,8	15	8	63
K0790.011510***	15,5	10	12	13,5	20/25/30/35/40/45/50/60	8,9	33	28,9/33,9/38,9/43,9/48,9/53,9/58,9/68,9	15	10	100
K0790.012112***	22	12	14,5	20	25/30/35/40/45/50/60/70/80	9,9	39,5	34,9/39,9/44,9/49,9/54,9/59,9/69,9/79,9/89,9	21	12	144
K0790.012116***	22	16	19	20	30/35/40/45/50/60/70/80	13,1	39,5	43,1/48,1/53,1/58,1/63,1/73,1/83,1/93,1	21	16	257

**KIPP Ball Lock Pins, stainless steel, self locking, precipitation hardened, Style B, metric**

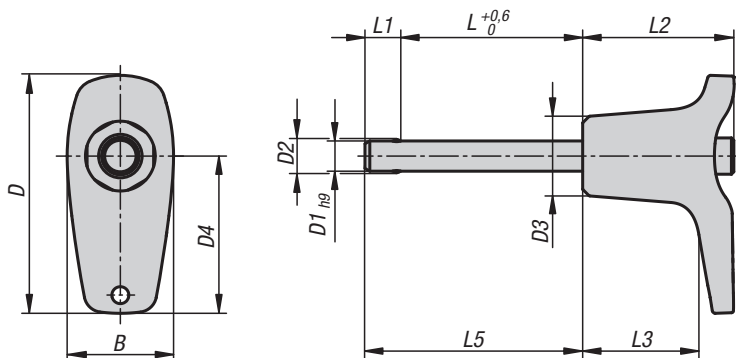
Item No. Style B	D	D1	D2	D3	D4	L	L1	L2	L3	L4	L5	SW	Receiving hole H11	Shearing force double shear max. kN
K0790.111205***	11,5	5	5,5	10	18,3	10/15/20/25/30	5,9	25	34,6	16,6	15,9/20,9/25,9/30,9/35,9	11	5	24
K0790.111206***	11,5	6	6,85	10	18,3	10/15/20/25/30/35/40/45/50	6,8	25	34,6	16,6	16,8/21,8/26,8/31,8/36,8/41,8/46,8/51,8/56,8	11	6	35
K0790.111508***	15,5	8	9,5	13,5	24	20/25/30/35/40/45/50	7,8	33	46,7	22,7	27,8/32,8/37,8/42,8/47,8/52,8/57,8	15	8	63
K0790.111510***	15,5	10	12	13,5	24	20/25/30/35/40/45/50/60	8,9	33	46,7	22,7	28,9/33,9/38,9/43,9/48,9/53,9/58,9/68,9	15	10	100
K0790.112112***	22	12	14,5	20	33	25/30/35/40/45/50/60/70/80	9,9	39,5	59,3	30,3	34,9/39,9/44,9/49,9/54,9/59,9/69,9/79,9/89,9	21	12	144
K0790.112116***	22	16	19	20	33	30/35/40/45/50/60/70/80	13,1	39,5	59,3	30,3	43,1/48,1/53,1/58,1/63,1/73,1/83,1/93,1	21	16	257

## Ball Lock Pins

with L-grip, self-locking

METRIC  
Parts

New Item



**Material:**

Grip thermoplastic.  
Steel parts stainless steel 1.4305 (AISI 303 equivalent).

**Type:**

Grip black.  
Stainless steel bright.

**Part Number Example:**

K0792.102606050  
(include length L e.g. 050 for L = 50 mm.)

**Note:**

Ball Lock Pins are used for quick and easy fastening and joining of parts and workpieces. The two balls are disengaged by pressing the push button and the pin can be slipped into holes in the workpieces. Release the button to lock the balls and secure the connection. An option for connecting a retaining cable is provided.

Shear force double-shear (F) = S · τ aB max.

**Accessories:**

- Bushing for ball lock pins K0724
- Safety Spiral Cable K0367
- Retaining Cable with eye K0367
- Pin Retaining Ring K0367

**KIPP Ball lock pins with L-grip, self-locking, metric**

Item No.	B	D	D1	D2	D3	D4	L	L1	L2	L3	L5	Receiving hole H11	Shearing force double shear max. kN
K0792.102605***	17,6	39,3	5	5,5	13,2	26	10/15/20/25/30	5,9	25	19,2	15,9	5	15
K0792.102606***	17,6	39,3	6	6,85	13,2	26	10/15/20/25/30/35/40/45/50	6,8	25	19,2	16,8	6	22
K0792.103508***	23	52,2	8	9,5	17,3	35,4	20/25/30/35/40/45/50	7,8	33	24,2	27,8	8	38
K0792.103510***	23	52,2	10	12	17,3	35,4	20/25/30/35/40/45/50/60	8,9	33	24,2	28,9	10	60
K0792.104712***	33	70,2	12	14,5	26,3	47	25/30/35/40/45/50/60/70/80	9,9	39,5	28,4	34,9	12	86
K0792.104716***	33	70,2	16	19	26,3	47	30/35/40/45/50/60/70/80	13,1	39,5	28,4	43,1	16	153

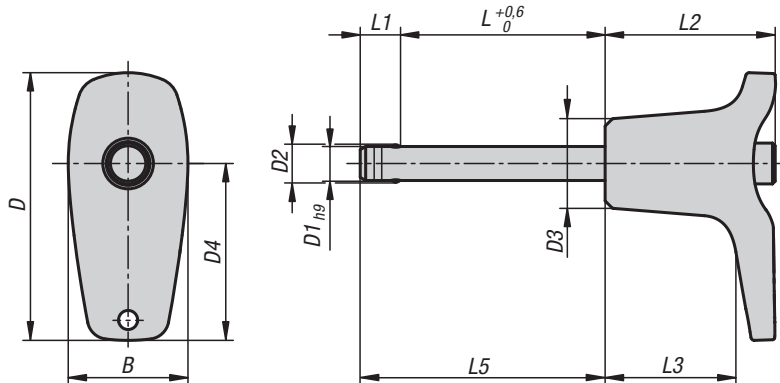
## Ball Lock Pins

with L-grip, self-locking, precipitation hardened



METRIC  
Parts

New Item



### Material:

Grip thermoplastic.  
Push button stainless steel 1.4305 (AISI 303 equivalent).  
Pin stainless steel 1.4542 (AISI "630" equivalent).  
Balls stainless steel 1.4125 (AISI 440C equivalent).  
Spring stainless steel wire 1.4310 (AISI 310 equivalent).

### Type:

Grip black.  
Stainless steel bright.

### Part Number Example:

K0792.11260650  
(include length L e.g. 050 for L = 50 mm.)

### Note:

Ball Lock Pins are used for quick and easy fastening and joining of parts and workpieces. The two balls are disengaged by pressing the push button and the pin can be slipped into holes in the workpieces. Release the button to lock the balls and secure the connection.

Shearing force double shear (F) = S · τ aB max.

1.4542 stainless steel ball lock pins have identification grooves.

### Benefits:

Higher loading in comparison to the standard ball lock pins. The pins made from 1.4542 stainless steel is hardened, has a higher shear resistance and is extremely durable.

### Accessories:

Bushing for ball lock pins K0724  
Safety Spiral Cable K0367  
Retaining Cable with eye K0367  
Pin Retaining Ring K0367

## KIPP Ball Lock Pins with L-grip, self-locking, precipitation hardened

Item No.	B	D	D1	D2	D3	D4	L	L1	L2	L3	L5	Receiving hole H11	Shearing force double shear max. kN
K0792.112605***	17,6	39,3	5	5,5	13,2	26	10/15/20/25/30	5,9	25	19,2	15,9	5	24
K0792.112606***	17,6	39,3	6	6,85	13,2	26	10/15/20/25/30/35/40/45/50	6,8	25	19,2	16,8	6	35
K0792.113508***	23	52,2	8	9,5	17,3	35,4	20/25/30/35/40/45/50	7,8	33	24,2	27,8	8	63
K0792.113510***	23	52,2	10	12	17,3	35,4	20/25/30/35/40/45/50/60	8,9	33	24,2	28,9	10	100
K0792.114712***	33	70,2	12	14,5	26,3	47	25/30/35/40/45/50/60/70/80	9,9	39,5	28,4	34,9	12	144
K0792.114716***	33	70,2	16	19	26,3	47	30/35/40/45/50/60/70/80	13,1	39,5	28,4	43,1	16	257

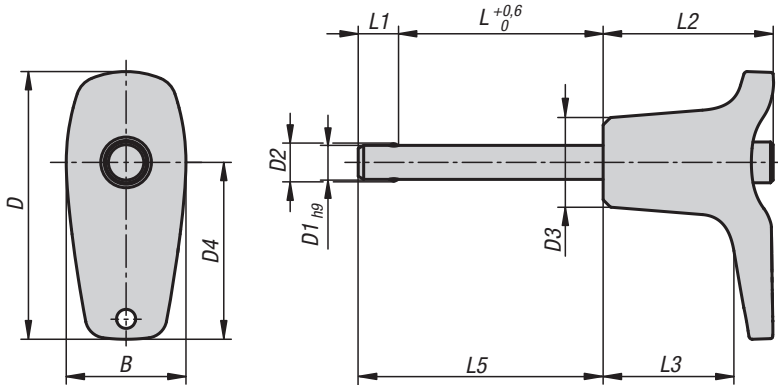
## Ball Lock Pins

with L-grip, self-locking



METRIC  
Parts

New Item



**Material:**

Grip die-cast zinc.  
Steel parts stainless steel 1.4305 (AISI 303 equivalent).

**Type:**

Grip black powder coated.  
Steel parts bright.

**Part Number Example:**

K0793.102606050  
(include length L e.g. 050 for L = 50 mm.)

**Note:**

Ball Lock Pins are used for quick and easy fastening and joining of parts and workpieces. The two balls are disengaged by pressing the push button and the pin can be slipped into holes in the workpieces. Release the button to lock the balls and secure the connection. An option for connecting a retaining cable is provided.

Shear force double-shear (F) = S · τ aB max.

**Accessories:**

- Bushing for ball lock pins K0724
- Safety Spiral Cable K0367
- Retaining Cable with eye K0367
- Pin Retaining Ring K0367

### KIPP Ball lock pins with L-grip, self-locking

Item No.	B	D	D1	D2	D3	D4	L	L1	L2	L3	L5	Receiving hole H11	Shearing force double shear max. kN
K0793.102605***	17,6	39,3	5	5,5	13,2	26	10/15/20/25/30	5,9	25	19,2	15,9/20,9/25,9/30,9/35,9	5	15
K0793.102606***	17,6	39,3	6	6,85	13,2	26	10/15/20/25/30/35/40/45/50	6,8	25	19,2	16,8/21,8/26,8/31,8/36,8/41,8/46,8/51,8/56,8	6	22
K0793.103508***	23	52,2	8	9,5	17,3	35,4	20/25/30/35/40/45/50	7,8	33	24,2	27,8/32,8/37,8/42,8/47,8/52,8/57,8	8	38
K0793.103510***	23	52,2	10	12	17,3	35,4	20/25/30/35/40/45/50/60	8,9	33	24,2	28,9/33,9/38,9/43,9/48,9/53,9/58,9/68,9	10	60
K0793.104712***	33	70,2	12	14,5	26,3	47	25/30/35/40/45/50/60/70/80	9,9	39,5	28,4	34,9/39,9/44,9/49,9/54,9/59,9/69,9/79,9/89,9	12	86
K0793.104716***	33	70,2	16	19	26,3	47	30/35/40/45/50/60/70/80	13,1	39,5	28,4	43,1/48,1/53,1/58,1/63,1/73,1/83,1/93,1	16	153



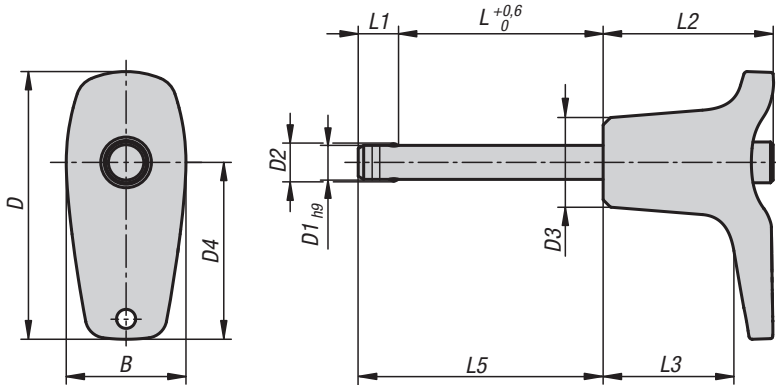
## Ball Lock Pins

with L-grip, self-locking, precipitation hardened



METRIC  
Parts

New Item



**Material:**

Grip die-cast zinc.  
 Push button stainless steel 1.4305 (AISI 303 equivalent).  
 Pin stainless steel precipitation hardened 1.4542 (AISI "630" equivalent).  
 Balls stainless steel 1.4125 (AISI 440C equivalent).  
 Spring stainless steel 1.4310 (AISI 310 equivalent).

**Type:**

Grip black.  
 Stainless steel bright.

**Part Number Example:**

K0793.112606050  
 (include length L e.g. 050 for L = 50 mm.)

**Note:**

Ball Lock Pins are used for quick and easy fastening and joining of parts and workpieces. The two balls are disengaged by pressing the push button and the pin can be slipped into holes in the workpieces. Release the button to lock the balls and secure the connection.

Shearing force double shear (F) = S · τ aB max.

1.4542 stainless steel ball lock pins have identification grooves.

**Benefits:**

Higher loading in comparison to the standard ball lock pins. The pins made from 1.4542 stainless steel is hardened, has a higher shear resistance and is extremely durable.

**Accessories:**

- Bushing for ball lock pins K0724
- Safety Spiral Cable K0367
- Retaining Cable with eye K0367
- Pin Retaining Ring K0367

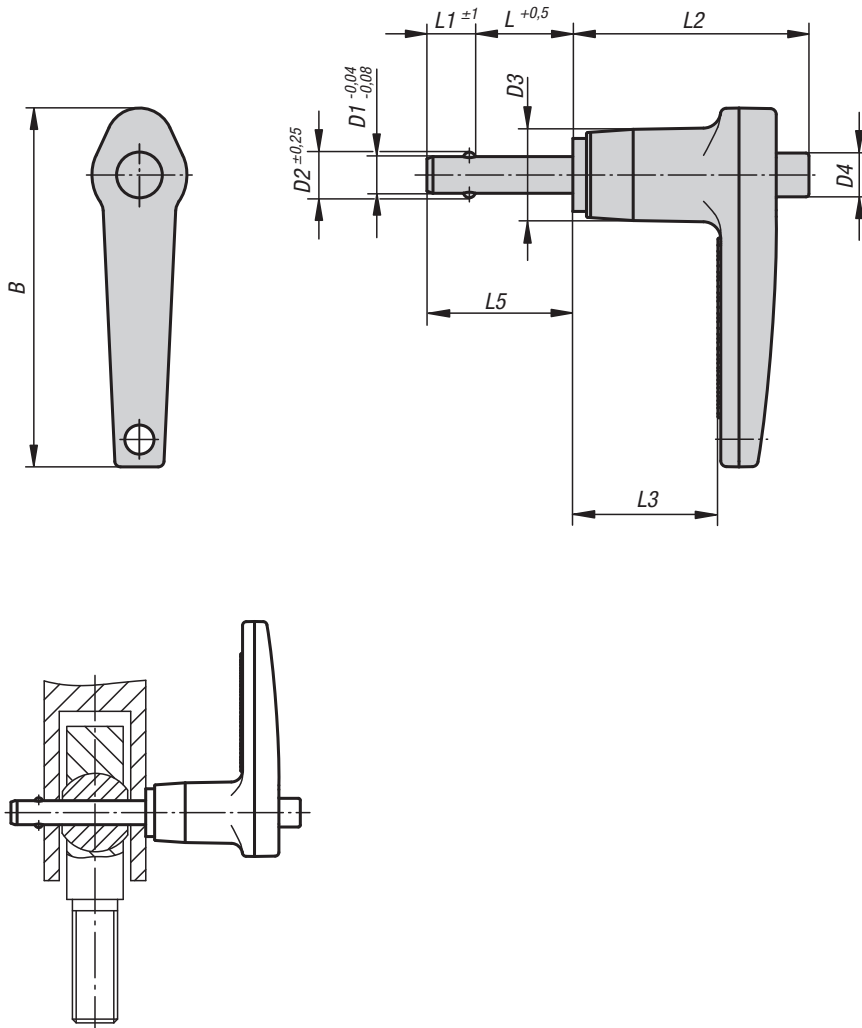
**KIPP Ball lock pins with L-grip, self-locking , precipitation hardened, metric**

Item No.	B	D	D1	D2	D3	D4	L	L1	L2	L3	L5	Receiving hole H11	Shearing force double shear max. kN
K0793.112605***	17,6	39,3	5	5,5	13,2	26	10/15/20/25/30	5,9	25	19,2	15,9/20,9/25,9/30,9/35,9	5	24
K0793.112606***	17,6	39,3	6	6,85	13,2	26	10/15/20/25/30/35/40/45/50	6,8	25	19,2	16,8/21,8/26,8/31,8/36,8/41,8/46,8/51,8/56,8	6	35
K0793.113508***	23	52,2	8	9,5	17,3	35,4	20/25/30/35/40/45/50	7,8	33	24,2	27,8/32,8/37,8/42,8/47,8/52,8/57,8	8	63
K0793.113510***	23	52,2	10	12	17,3	35,4	20/25/30/35/40/45/50/60	8,9	33	24,2	28,9/33,9/38,9/43,9/48,9/53,9/58,9/68,9	10	100
K0793.114712***	33	70,2	12	14,5	26,3	47	25/30/35/40/45/50/60/70/80	9,9	39,5	28,4	34,9/39,9/44,9/49,9/54,9/59,9/69,9/79,9/89,9	12	144
K0793.114716***	33	70,2	16	19	26,3	47	30/35/40/45/50/60/70/80	13,1	39,5	28,4	43,1/48,1/53,1/58,1/63,1/73,1/83,1/93,1	16	257

## Ball Lock Pins

with L-grip, self-locking

METRIC  
Parts



### Material:

Pin stainless steel 1.4542 (AISI "630" equivalent).  
Grip die-cast aluminum EN-AC 46000.  
Push button aluminum EN-AW 2024 T4.  
Balls stainless steel 1.4125 (AISI 440C equivalent).  
Spring stainless steel wire.

### Type:

All stainless steel parts passivated.  
Pin hardened to min. 40 HRC.  
Grip black anodized.  
Push button blue anodized.  
Balls hardened to 58 +4 HRC.

### Part Number Example:

K0642.14405030  
(include length L e.g. 030 for L = 30 mm)

### Note:

Ball Lock Pins are used for quick and easy fastening and joining of parts and workpieces. The two balls are disengaged by pressing the push button and the pin can be slipped into holes in the workpieces. Release the button to lock the balls and secure the connection. The ball lock pins can be provided with a retaining cable if required.

The hardened, high-tensile stainless steel pin permits extreme loads with low wear.

Shear force double-shear (F) = S · τ aB max.

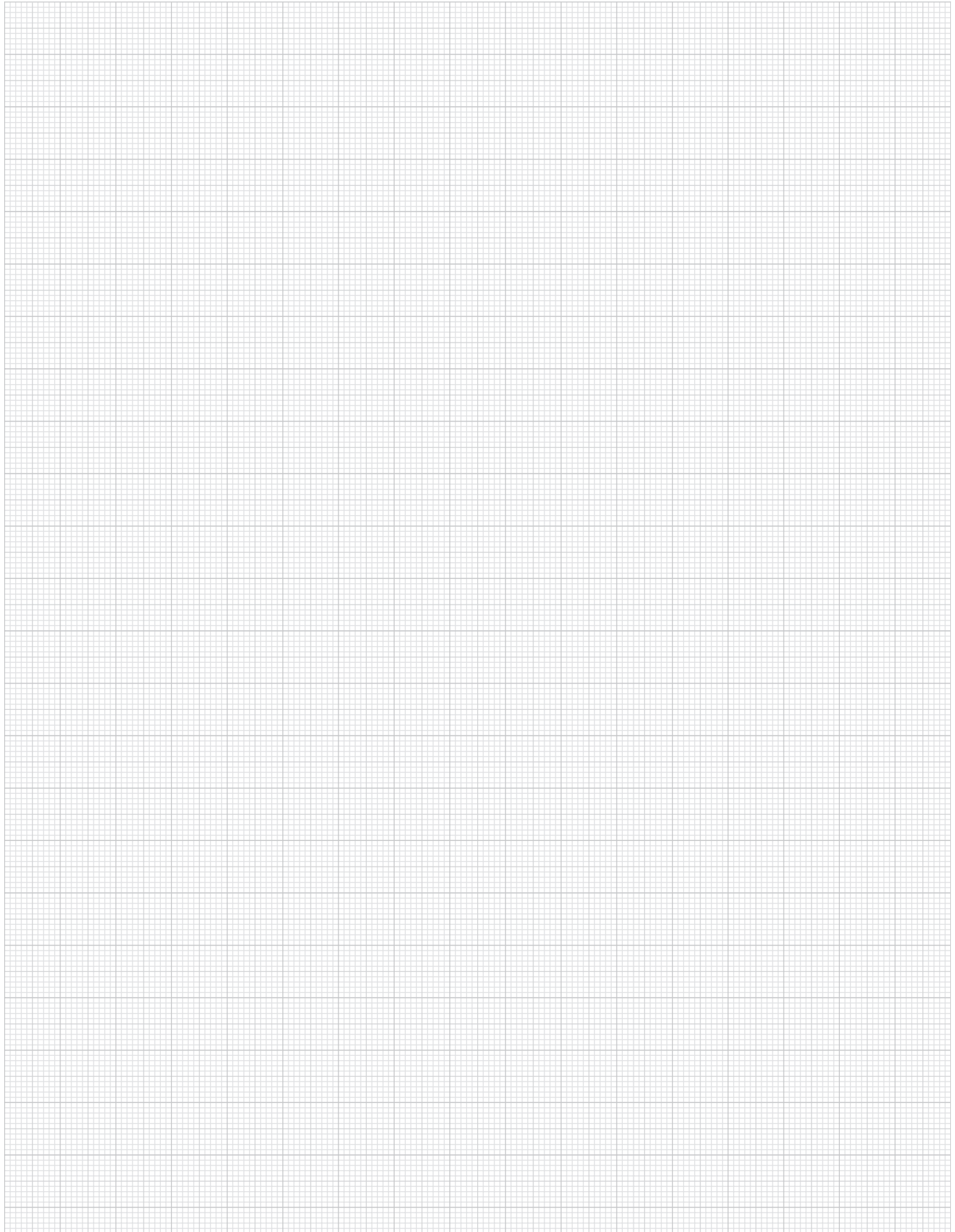
### Accessories:

Bushing for ball lock pins K0724  
Safety Spiral Cable K0367  
Retaining Cable with eye K0367  
Pin Retaining Ring K0367

### KIPP Ball lock pins with L-grip, self-locking, metric

Item No.	B	D1	D2	D3	D4	L	L1	L2	L3	L5	Receiving hole H11	Shearing force double shear max. kN
K0642.14405***	46,7	5	5,54	11,9	5,8	10/15/20/25/30/35/40/50/60/70	6	30,7	19,3	16/21/26/31/36/41/46/56/66/76	5	24,4
K0642.14406***	46,7	6	6,99	11,9	5,8	10/15/20/25/30/35/40/50/60/70/80	7	30,7	19,3	17/22/27/32/37/42/47/57/67/77/87	6	35,64
K0642.14408***	46,7	8	9,42	11,9	5,8	10/15/20/25/30/35/40/50/60/70/80	8	30,7	19,3	18/23/28/33/38/43/48/58/68/78/88	8	63,8
K0642.15110***	54,1	10	11,86	14,2	7,4	15/20/25/30/35/40/50/60/70/80/90/100	9	34,8	22,1	24/29/34/39/44/49/59/69/79/89/99/109	10	100,1
K0642.15712***	60,2	12	14,45	18,3	10,7	20/25/30/35/40/50/60/70/80/90/100	10	40,6	25,4	30/35/40/45/50/60/70/80/90/100/110	12	144,06
K0642.16816***	68,3	16	19	23,9	13,7	25/30/35/40/50/60/70/80/90/100	14	45	28,2	39/44/49/54/64/74/84/94/104/114	16	257,18

Notes:



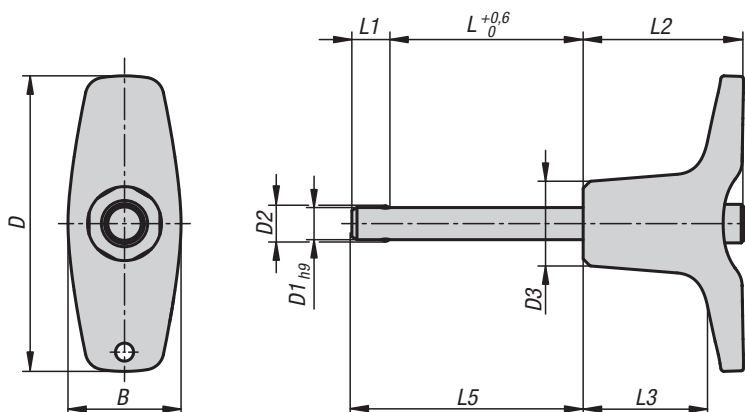
## Ball Lock Pins

with T-grip, self-locking



METRIC  
Parts

New Item



**Material:**

Grip thermoplastic.  
Steel parts stainless steel 1.4305 (AISI 303 equivalent).

**Type:**

Grip black.  
Stainless steel bright.

**Part Number Example:**

K0792.204606050  
(include length L e.g. 050 for L = 50 mm.)

**Note:**

Ball Lock Pins are used for quick and easy fastening and joining of parts and workpieces. The two balls are disengaged by pressing the push button and the pin can be slipped into holes in the workpieces. Release the button to lock the balls and secure the connection. An option for connecting a retaining cable is provided.

Shear force double-shear (F) = S · τ · aB max.

**Accessories:**

- Bushing for ball lock pins K0724
- Safety Spiral Cable K0367
- Retaining Cable with eye K0367
- Pin Retaining Ring K0367

### KIPP Ball lock pins with T-grip, self-locking

Item No.	B	D	D1	D2	D3	L	L1	L2	L3	L5	Receiving hole H11	Shearing force double shear max. kN
K0792.204605***	17,6	46	5	5,5	13,2	10/15/20/25/30	5,9	25	19,4	15,9/20,9/25,9/30,9/35,9	5	15
K0792.204606***	17,6	46	6	6,85	13,2	10/15/20/25/30/35/40/45/50	6,8	25	19,4	16,8/21,8/26,8/31,8/36,8/41,8/46,8/51,8/56,8	6	22
K0792.206308***	23	62,9	8	9,5	17,3	20/25/30/35/40/45/50	7,8	33	24,4	27,8/32,8/37,8/42,8/47,8/52,8/57,8	8	38
K0792.206310***	23	62,9	10	12	17,3	20/25/30/35/40/45/50/60	8,9	33	24,4	28,9/33,9/38,9/43,9/48,9/53,9/58,9/63,9	10	60
K0792.208212***	33	81,8	12	14,5	26,3	25/30/35/40/45/50/60/70/80	9,9	39,5	28,8	34,9/39,9/44,9/49,9/54,9/59,9/64,9/69,9/74,9/79,9/84,9	12	86
K0792.208216***	33	81,8	16	19	26,3	30/35/40/45/50/60/70/80	13,1	39,5	28,8	43,1/48,1/53,1/58,1/63,1/68,1/73,1/78,1/83,1/88,1	16	153

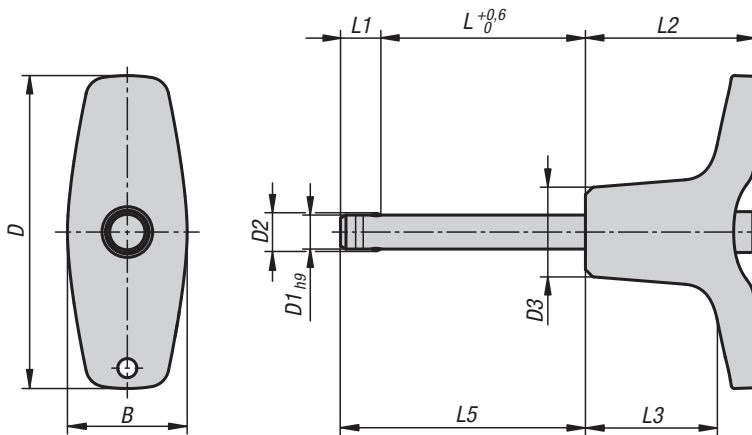
## Ball Lock Pins

with T-grip, self-locking, precipitation hardened



METRIC  
Parts

New Item



**Material:**

Grip thermoplastic.  
 Push button stainless steel 1.4305 (AISI 303 equivalent).  
 Pin stainless steel 1.4542 (AISI "630" equivalent).  
 Balls stainless steel 1.4125 (AISI 440C equivalent).  
 Spring stainless steel wire 1.4310 (AISI 310 equivalent).

**Type:**

Grip black.  
 Stainless steel bright.

**Part Number Example:**

K0792.214606050  
 (include length L e.g. 050 for L = 50 mm.)

**Note:**

Ball Lock Pins are used for quick and easy fastening and joining of parts and workpieces. The two balls are disengaged by pressing the push button and the pin can be slipped into holes in the workpieces. Release the button to lock the balls and secure the connection.

Shearing force double shear (F) = S · τ aB max.

1.4542 stainless steel ball lock pins have identification grooves.

**Benefits:**

Higher loading in comparison to the standard ball lock pins. The pins made from 1.4542 stainless steel is hardened, has a higher shear resistance and is extremely durable.

**Accessories:**

Bushing for ball lock pins K0724  
 Safety Spiral Cable K0367  
 Retaining Cable with eye K0367  
 Pin Retaining Ring K0367

### KIPP Ball Lock Pins with T-grip, self-locking, precipitation hardened

Item No.	B	D	D1	D2	D3	L	L1	L2	L3	L5	Receiving hole H11	Shearing force double shear max. kN
K0792.214605***	17,6	46	5	5,5	13,2	10/15/20/25/30	5,9	25	19,4	15,9/20,9/25,9/30,9/35,9	5	24
K0792.214606***	17,6	46	6	6,85	13,2	10/15/20/25/30/35/40/45/50	6,8	25	19,4	16,8/21,8/26,8/31,8/36,8/41,8/46,8/51,8/56,8	6	35
K0792.216308***	23	62,9	8	9,5	17,3	20/25/30/35/40/45/50	7,8	33	24,4	27,8/32,8/37,8/42,8/47,8/52,8/57,8	8	63
K0792.216310***	23	62,9	10	12	17,3	20/25/30/35/40/45/50/60	8,9	33	24,4	28,9/33,9/38,9/43,9/48,9/53,9/58,9/63,9	10	100
K0792.218212***	33	81,8	12	14,5	26,3	25/30/35/40/45/50/60/70/80	9,9	39,5	28,8	34,9/39,9/44,9/49,9/54,9/59,9/64,9/69,9/74,9/79,9/84,9	12	144
K0792.218216***	33	81,8	16	19	26,3	30/35/40/45/50/60/70/80	13,1	39,5	28,8	43,1/48,1/53,1/58,1/63,1/68,1/73,1/78,1/83,1/88,1	16	257

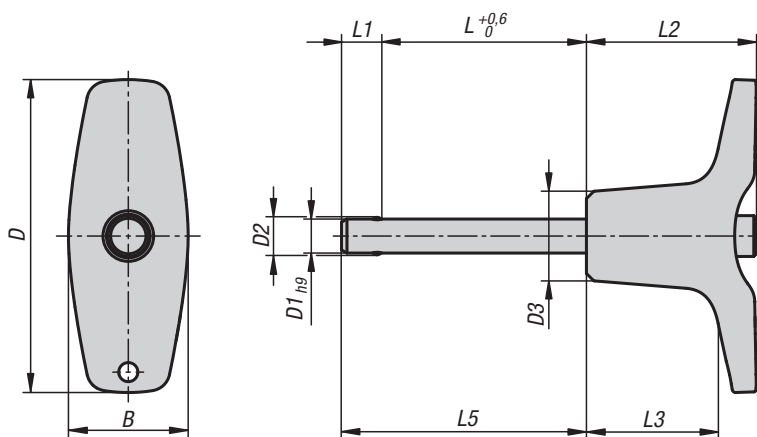
## Ball Lock Pins

with T-grip, self-locking



METRIC  
Parts

New Item



**Material:**

Grip die-cast zinc.  
Steel parts stainless steel 1.4305 (AISI 303 equivalent).

**Type:**

Grip black.  
Stainless steel bright.

**Part Number Example:**

K0793.204606050  
(include length L e.g. 050 for L = 50 mm.)

**Note:**

Ball Lock Pins are used for quick and easy fastening and joining of parts and workpieces. The two balls are disengaged by pressing the push button and the pin can be slipped into holes in the workpieces. Release the button to lock the balls and secure the connection. An option for connecting a retaining cable is provided.

Shear force double-shear (F) = S · τ aB max.

**Accessories:**

- Bushing for ball lock pins K0724
- Safety Spiral Cable K0367
- Retaining Cable with eye K0367
- Pin Retaining Ring K0367

**KIPP Ball lock pins with T-grip, self-locking**

Item No.	B	D	D1	D2	D3	L	L1	L2	L3	L5	Receiving hole H11	Shearing force double shear max. kN
K0793.204605***	17,6	46	5	5,5	13,2	10/15/20/25/30	5,9	25	19,4	15,9/20,9/25,9/30,9/35,9	5	15
K0793.204606***	17,6	46	6	6,85	13,2	10/15/20/25/30/35/40/45/50	6,8	25	19,4	16,8/21,8/26,8/31,8/36,8/41,8/46,8/51,8/56,8	6	22
K0793.206308***	23	62,9	8	9,5	17,3	20/25/30/35/40/45/50	7,8	33	24,4	27,8/32,8/37,8/42,8/47,8/52,8/57,8	8	38
K0793.206310***	23	62,9	10	12	17,3	20/25/30/35/40/45/50/60	8,9	33	24,4	28,9/33,9/38,9/43,9/48,9/53,9/58,9/63,9	10	60
K0793.208212***	33	81,8	12	14,5	26,3	25/30/35/40/45/50/60/70/80	9,9	39,5	28,8	34,9/39,9/44,9/49,9/54,9/59,9/64,9/69,9/74,9/79,9/84,9	12	86
K0793.208216***	33	81,8	16	19	26,3	30/35/40/45/50/60/70/80	13,1	39,5	28,8	43,1/48,1/53,1/58,1/63,1/68,1/73,1/78,1/83,1/88,1	16	153

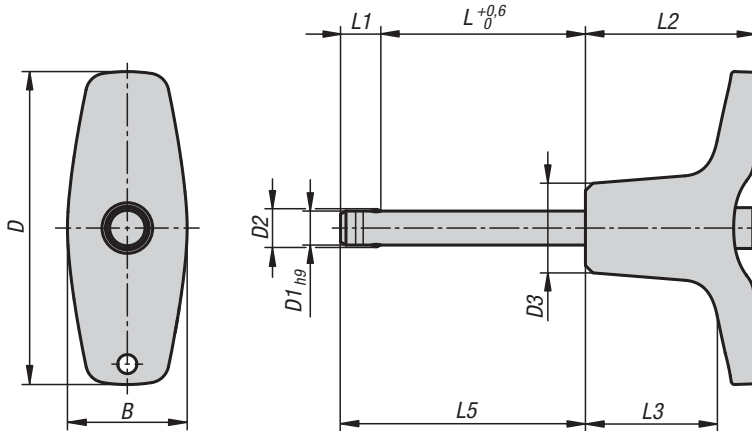
## Ball Lock Pins

with T-grip, self-locking, precipitation hardened



METRIC  
Parts

New Item



**Material:**

Grip die-cast zinc.  
 Push button stainless steel 1.4305 (AISI 303 equivalent).  
 Pin stainless steel 1.4542 (AISI "630" equivalent).  
 Balls stainless steel 1.4125 (AISI 440C equivalent).  
 Spring stainless steel 1.4310 (AISI 310 equivalent).

**Type:**

Grip black.  
 Stainless steel bright.

**Part Number Example:**

K0793.214606050  
 (include length L e.g. 050 for L = 50 mm.)

**Note:**

Ball Lock Pins are used for quick and easy fastening and joining of parts and workpieces. The two balls are disengaged by pressing the push button and the pin can be slipped into holes in the workpieces. Release the button to lock the balls and secure the connection.

Shearing force double shear (F) = S · τ aB max.

1.4542 stainless steel ball lock pins have identification grooves.

**Benefits:**

Higher loading in comparison to the standard ball lock pins. The pins made from 1.4542 stainless steel is hardened, has a higher shear resistance and is extremely durable.

**Accessories:**

Bushing for ball lock pins K0724  
 Safety Spiral Cable K0367  
 Retaining Cable with eye K0367  
 Pin Retaining Ring K0367

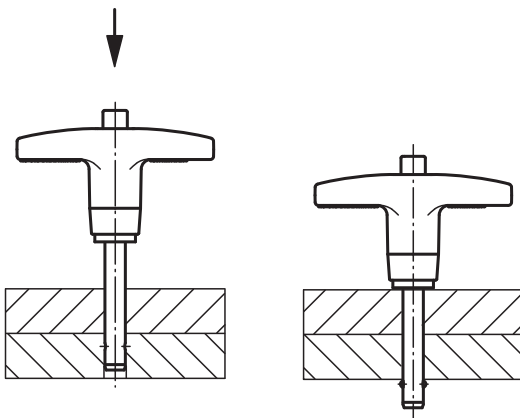
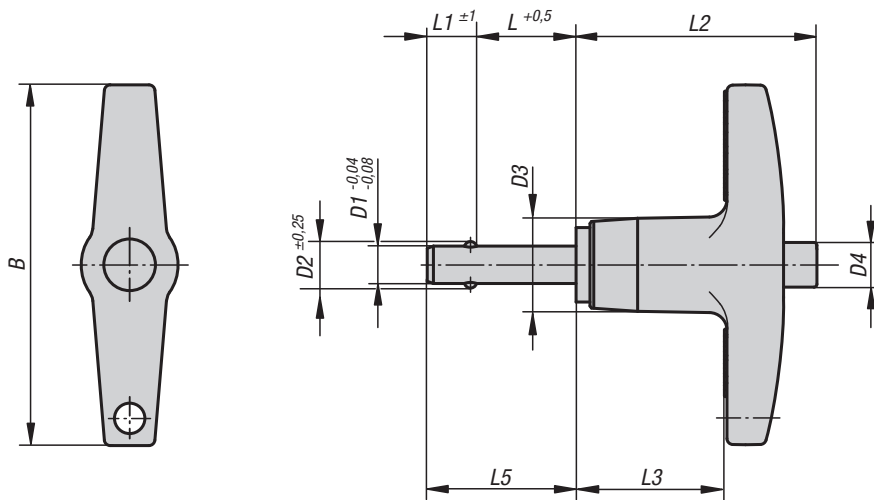
### KIPP Ball Lock Pins with T-grip, self-locking, precipitation hardened

Item No.	B	D	D1	D2	D3	L	L1	L2	L3	L5	Receiving hole H11	Shearing force double shear max. kN
K0793.214605***	17,6	46	5	5,5	13,2	10/15/20/25/30	5,9	25	19,4	15,9/20,9/25,9/30,9/35,9	5	24
K0793.214606***	17,6	46	6	6,85	13,2	10/15/20/25/30/35/40/45/50	6,8	25	19,4	16,8/21,8/26,8/31,8/36,8/41,8/46,8/51,8/56,8	6	35
K0793.216308***	23	62,9	8	9,5	17,3	20/25/30/35/40/45/50	7,8	33	24,4	27,8/32,8/37,8/42,8/47,8/52,8/57,8	8	63
K0793.216310***	23	62,9	10	12	17,3	20/25/30/35/40/45/50/60	8,9	33	24,4	28,9/33,9/38,9/43,9/48,9/53,9/58,9/63,9	10	100
K0793.218212***	33	81,8	12	14,5	26,3	25/30/35/40/45/50/60/70/80	9,9	39,5	28,8	34,9/39,9/44,9/49,9/54,9/59,9/64,9/69,9/74,9/79,9/84,9	12	144
K0793.218216***	33	81,8	16	19	26,3	30/35/40/45/50/60/70/80	13,1	39,5	28,8	43,1/48,1/53,1/58,1/63,1/68,1/73,1/78,1/83,1/88,1	16	257

## Ball Lock Pins

with T-grip, self-locking

METRIC  
Parts



**Material:**

Pin stainless steel 1.4542 (AISI "630" equivalent).  
Grip die-cast aluminum EN-AC 46000.  
Push button aluminum EN-AW 2024 T4.  
Balls stainless steel 1.4125 (AISI 440C equivalent).  
Spring stainless steel wire.

**Type:**

All stainless steel parts passivated.  
Pin hardened to min. 40 HRC.  
Grip black anodized.  
Push button blue anodized.  
Balls hardened to 58 +4 HRC.

**Part Number Example:**

K0366.24605030  
(include length L e.g. 030 for L = 30 mm.)

**Note:**

Ball Lock Pins are used for quick and easy fastening and joining of parts and workpieces. The two balls are disengaged by pressing the push button and the pin can be slipped into holes in the workpieces. Release the button to lock the balls and secure the connection. The ball lock pins can be provided with a retaining cable if required.

The hardened, high-tensile stainless steel pin permits extreme loads with low wear.

Shear force double-shear (F) = S · τ · aB max.

**Accessories:**

- Bushing for ball lock pins K0724
- Safety Spiral Cable K0367
- Retaining Cable with eye K0367
- Pin Retaining Ring K0367

**KIPP Ball Lock Pins with T-grip, self-locking**

Item No.	B	D1	D2	D3	D4	L	L1	L2	L3	L5	Receiving hole H11	Shearing force double shear max. kN
K0366.24605***	46	5	5,54	11,9	5,8	10/15/20/25/30/35/40/50/60/70	6	30,7	19,3	16/21/26/31/36/41/46/56/66/76	5	24,4
K0366.24606***	46	6	6,99	11,9	5,8	10/15/20/25/30/35/40/50/60/70/80	7	30,7	19,3	17/22/27/32/37/42/47/57/67/77/87	6	35,64
K0366.24608***	46	8	9,42	11,9	5,8	10/15/20/25/30/35/40/50/60/70/80	8	30,7	19,3	18/23/28/33/38/43/48/58/68/78/88	8	63,8
K0366.25110***	50,8	10	11,86	14,2	7,4	15/20/25/30/35/40/50/60/70/80/90/100	9	34,8	22,1	24/29/34/39/44/49/59/69/79/89/99/109	10	100,1
K0366.25812***	57,2	12	14,45	18,3	10,7	20/25/30/35/40/50/60/70/80/90/100	10	40,6	25,4	30/35/40/45/50/60/70/80/90/100/110	12	144,06
K0366.27816***	78	16	19	23,9	13,7	25/30/35/40/50/60/70/80/90/100	14	45	28,2	39/44/49/54/64/74/84/94/104/114	16	257,18



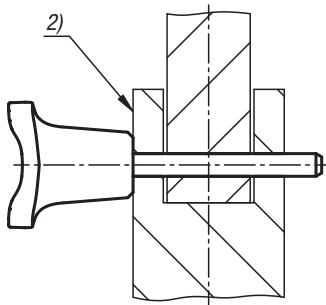
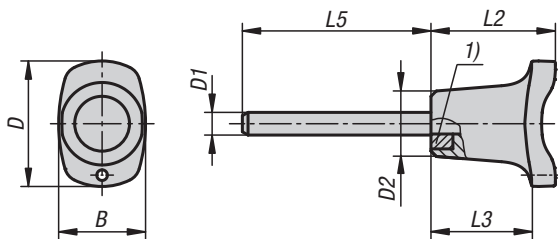
## Locking Pins

with magnetic axial lock



METRIC  
Parts

New Item



**Material:**

Grip thermoplastic.  
Steel parts stainless steel 1.4305 (AISI 303 equivalent).  
Magnet NdFeB.

**Type:**

Grip black.  
Stainless steel bright.

**Part Number Example:**

K1216.3306030  
(include length L e.g. 030 for L = 30 mm.)

**Note:**

For the inch series, dimension D and L5 are in inches, all other dimensions are in mm.  
The Locking Pins with Magnetic Axial Lock are used for fast and easy fastening and joining of parts and workpieces.  
Magnets integrated into the grip ensure axial positioning and hold the locking pin in the inserted position.

Smooth surfaces and a perpendicular insertion bore have a positive effect on the retaining forces.

Optional retainer systems can be used to make the locking pins captive.

Shear force double-shear (F) = S · τ aB max.

**On request:**

Other pin lengths.

**Accessories:**

- Safety Helix Cable K0367....
- Retaining Cable with eye K0367....
- Pin Retaining Ring K0367....
- Ball chains K1125....

**Part Number Example (inch):**

Ball Lock Pin K1216.33CML16  
(include length L16,  
e.g. L16 = 1")  
1 = L16  
1-1/2 = L24  
2 = L32  
2-1/2 = L36

**Drawing reference:**

- 1) Magnet
- 2) Steel part/workpiece

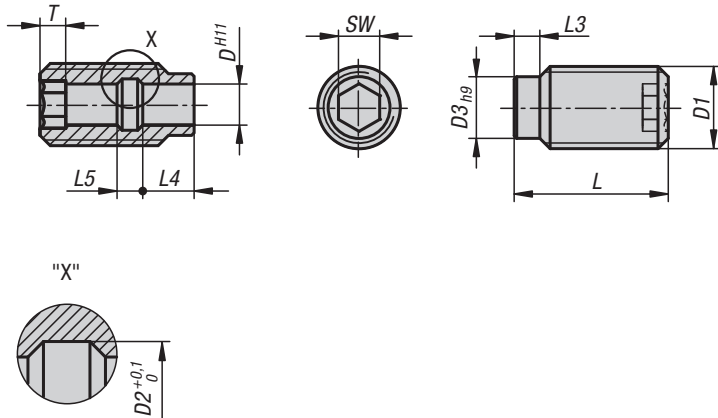
**KIPP Locking Pin with Magnetic Axial Lock, inch**

Item No.	B	D	D1	D2	L2	L3	L5	Receiving hole	Shearing force double shear max. kN	Clamping force ca. N
K1216.33CML16	23	33,2	1/4	17,3	33	26,1	1,0/1,5/2,0	1/4	24	43
K1216.46COL16	33	45,9	3/8	26,3	39,5	31,3	1,0/1,5/2,0	3/8	54	74
K1216.46CPL24	33	45,9	1/2	26,3	39,5	31,3	1,5/2,0/2,5	1/2	96	74

**KIPP Locking Pin with Magnetic Axial Lock, metric**

Item No.	B	D	D1	D2	L2	L3	L5	Receiving hole	Shearing force double shear max. kN	Clamping force ca. N
K1216.3306***	23	33,2	6	17,3	33	26,1	15/30/40/50/60/70/80	6	22	43
K1216.3308***	23	33,2	8	17,3	33	26,1	15/30/40/50/60/70/80	8	38	43
K1216.4610***	33	45,9	10	26,3	39,5	31,3	15/30/40/50/60/70/80	10	60	74
K1216.4612***	33	45,9	12	26,3	39,5	31,3	30/40/50/60/70/80	12	86	74

## Bushing for Ball Lock Pins



**Material:**

Stainless steel 1.4305  
(AISI 303 equivalent).

**Type:**

Stainless steel parts bright.

**Part Number Example:**

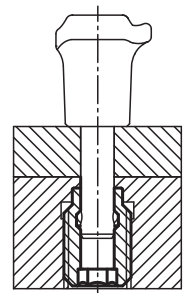
K0724.11224

**Note:**

These bushings are ideal for easy and quick positioning of ball lock pins.

**Benefits:**

- centered by the centering collar.
- easy and reliable installation.
- can be screwed into various materials.
- usable both sides

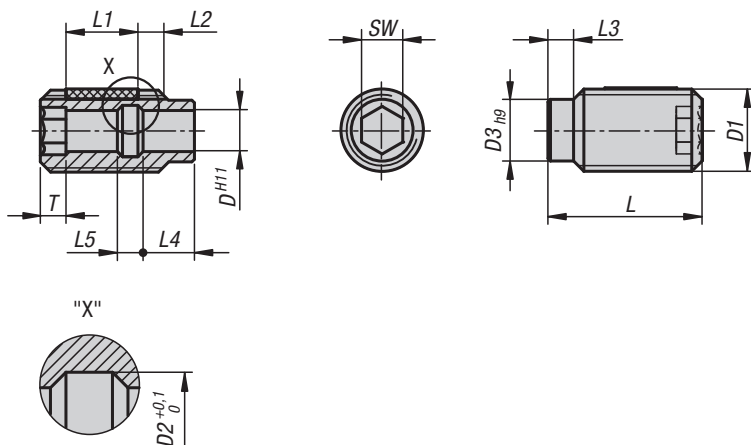


**KIPP Bushings for Ball Lock Pins, metric**

Item No.	D	D1	D2	D3	L	L3	L4	L5	SW	T
K0724.10512	5	M12	6	9	25	4	7	3	5	4
K0724.10616	6	M16	7,5	12	30	5	10	5	6	5
K0724.10816	8	M16	10	12	30	5	10	5	8	5
K0724.11024	10	M24	13	18	35	6	8	7	10	6
K0724.11224	12	M24	15	18	35	6	8	7	12	6
K0724.11630	16	M30	20	24	40	8	11	9	16	7

## Bushing for Ball Lock Pins

with LONG-LOCK thread lock



**Material:**

Stainless steel 1.4305  
(AISI 303 equivalent).

LONG-LOCK thread lock Nylon.

**Type:**

Stainless steel parts bright.

**Part Number Example:**

K0724.112241

**Note:**

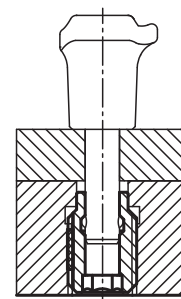
These bushings are ideal for easy and quick positioning of ball lock pins.

**Benefits:**

- centered by the centering collar.
- easy and reliable installation.
- can be screwed into various materials.
- usable both sides
- the LONG-LOCK thread lock enables the depth to be exactly matched to existing components, no locknut is required.

**Drawing reference:**

L2 = approx. 2x thread pitch

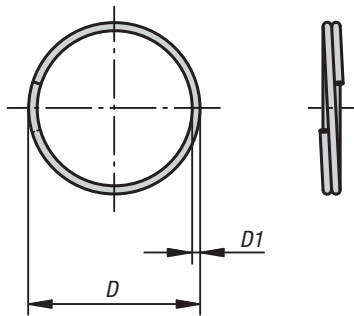


**KIPP Bushings for Ball Lock Pins, with LONG-LOCK thread lock, metric**

Item No.	D	D1	D2	D3	L	L1	L3	L4	L5	SW	T
K0724.105121	5	M12	6	9	25	10	4	7	3	5	4
K0724.106161	6	M16	7,5	12	30	14	5	10	5	6	5
K0724.108161	8	M16	10	12	30	14	5	10	5	8	5
K0724.110241	10	M24	13	18	35	14	6	8	7	10	6
K0724.112241	12	M24	15	18	35	14	6	8	7	12	6
K0724.116301	16	M30	20	24	40	14	8	11	9	16	7

## Pin Retaining Rings

stainless steel



**Material:**

Stainless steel 1.4310 (AISI 310 equivalent).

**Type:**

Bright.

**Part Number Example:**

K0367.15

**Note:**

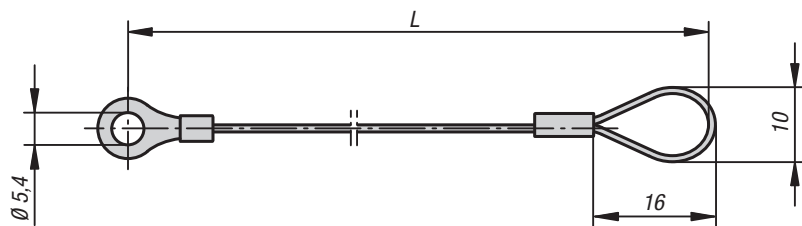
Suitable for Pin Retaining Cables (K0367), Ball Lock Pins (K0363, K0364, K0366, K0642, K0790) Indexing Plungers (K0342).

### KIPP Pin Retaining Rings, metric

Item No.	D	D1
K0367.15	15	1.0
K0367.19	19	1.0
K0367.23	23	1.2
K0367.28	28	1.7

## Pin Retaining Cables

with eye



**Material:**

Retaining cable stainless steel.  
Crimp and end terminal aluminum.

**Type:**

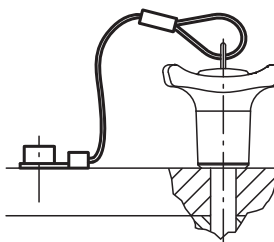
Cable plastic coated.

**Part Number Example:**

K0367.0150

**Note:**

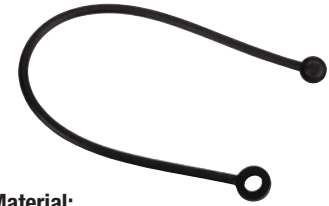
With the Retaining Cable and Pin Ring (K0367) the Ball Lock Pins (K0363, K0364, K0366, K0642 and K0790) can be secured so that they cannot be lost. An M5 screw is used to secure the retaining cable.  
Application temperature: +80 °C.



### KIPP Pin Retaining Cables with eye, metric

Item No.	L
K0367.0150	150
K0367.0200	200
K0367.0300	300

## Safety Lanyard



**Material:**  
Thermoplastic urethane TPU.

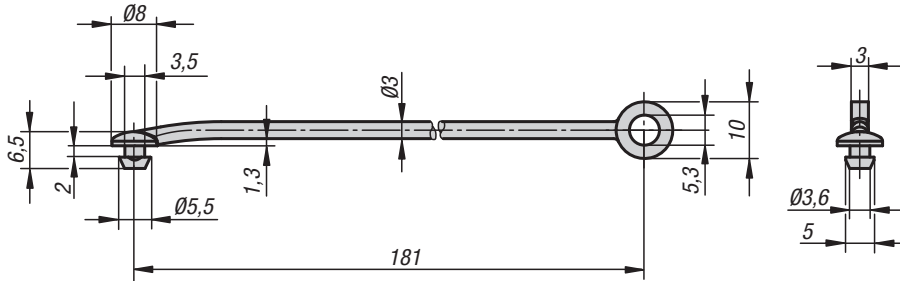
**Part Number Example:**  
K0743.04190

**Note:**  
The safety lanyard is distinguished by its high elasticity and good rebound resilience. It was especially conceived for the star grips K0154 and K0155. Star grips K0154, K0155 and the knurled knobs K0260/K0261 and K0247 from our range can be retrofitted with this lanyard.

**Assembly:**  
Recommended hole  $\varnothing 3.8_{-0.1}$ . The hole edge should be deburred. A Teflon-based lubricant is recommended to aid assembly.

**On request:**  
Can be combined with other products.

METRIC  
Parts

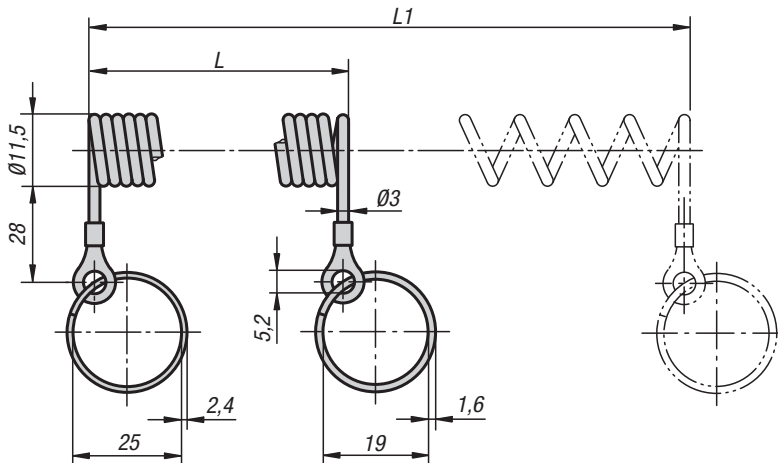


### KIPP Safety lanyard

Item No.	Dimensions
K0743.04190	see drawing

## Safety Spiral Cables

METRIC  
Parts



**Material:**  
Spiral cable PUR.  
Eye copper or stainless steel.  
Split ring steel or stainless steel.

**Type:**  
Spiral cable black.  
Eye, electro zinc-plated copper or stainless steel bright.  
Split ring, trivalent passivated steel or stainless steel bright.

**Part Number Example:**  
K0367.10200

**Note:**  
Elastic spiral cable to secure equipment parts. Very good reset force, robust and wear-resistant.

### KIPP Safety Spiral Cables

Item No.	Key Rings	L	L1
K0367.10100	steel	100	500
K0367.10200	steel	200	1000
K0367.20100	stainless steel	100	500
K0367.20200	stainless steel	200	1000

# Technical information

## Quick clamping - reliable fastening **KIPPl**ock



### **Durable and reliable: KIPPl**ock

Now even more durable, more user-friendly and safer. The new generation has proved highly effective in meeting this development. You, the user, will notice the difference immediately: On first contact, the new KIPPl lock has a good grip and is robust. It delivers fast, reliable and safe operation. High-quality material ensures the necessary holding power.

**KIPPl**ock  
with all the benefits



### **Benefits: KIPPl**ock

#### **Impressively stable:**

All models can easily withstand 300,000 clamping cycles

#### **Durable:**

High-quality bushings - without scoring

#### **Extremely robust:**

Corrosion-resistant NITROX COATING

#### **Simple design**

The fixed top nut and closed cage design eases spindle adjustment

#### **Reliable:**

Uniform force during opening and closing

#### **Ideal where space is restricted:**

Slim design supports safe operation

#### **Optimum stability:**

Conical clamping arm with U-profile

#### **Safe application:**

Nothing catches on the smooth edges

#### **Fast and flexible:**

Easy retrofitting thanks to a wide range of accessories

#### **Ergonomic and slip-resistant:**

Easy to operate wearing work gloves

#### **Non-reflecting**

Ideal for use with laser devices

#### **Safe when opening:**

More space between clamping arm and grip prevents pinching

#### **Extremely compatible:**

Oblong holes allows assembly on existing boreholes

# Technical information

## Quick clamping - reliable fastening

**KIPPl**ock<sup>+</sup>



### Secure clamping and locking: KIPP lock+

The inner locking system is a completely revolutionary development from KIPP. Nothing gets caught or stuck. Operation is easy even when wearing work gloves.

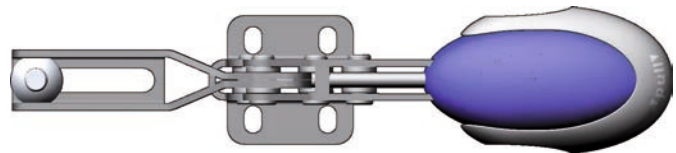
**KIPPl**ock<sup>+</sup>  
with all the benefits  
plus safety interlock



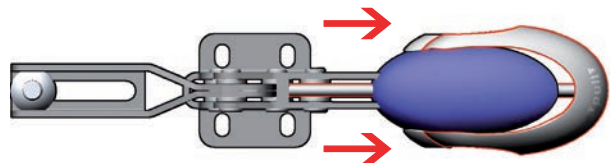
### Functional principle: KIPPl

ock<sup>+</sup>

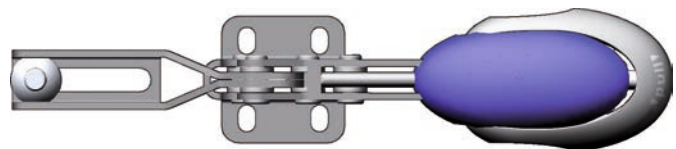
**Fig. 1:**  
Locking mechanism closed. Safe to use thanks to revolutionary grip - no pinch points or interfering contours



**Fig. 2:**  
Inner rod locking mechanism with automatic safety catch. The lock is released by pulling the grip



**Fig. 3:**  
Locking mechanism open. Release the grip to close the safety mechanism



## Horizontal Toggle Clamps

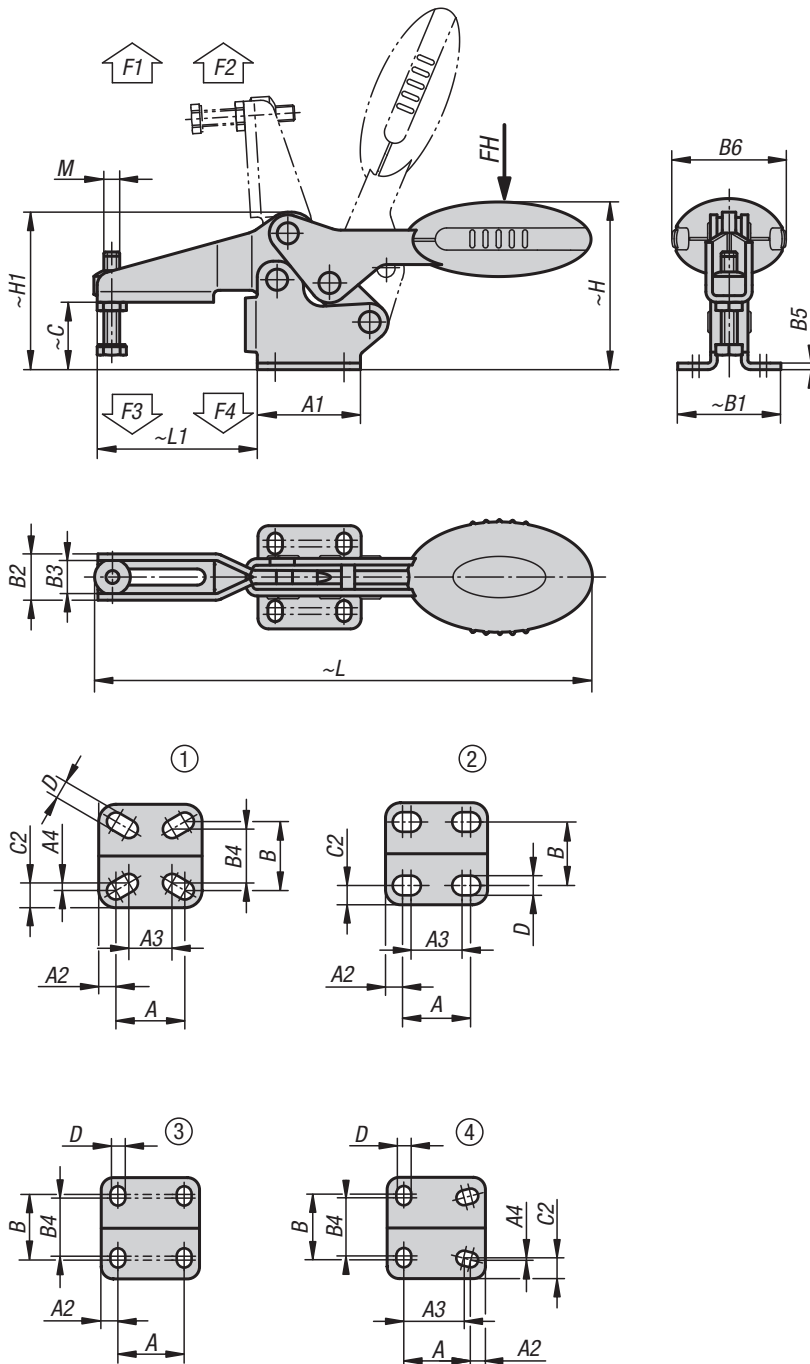
with flat foot and adjustable clamping spindle

METRIC  
Parts

Expanded Line



KIPlock



**Material:**

Steel.  
Grip polyamide.

**Type:**

Carbonitrided and black oxidized.  
Grip element blue, black or red.

**Part Number Example:**

K0660.005001  
(blue grip)

**Order information:**

Δ Enter the desired grip color here.

**Note:**

Maintenance-free high quality link bushings.  
Sustainable constant use of force during opening  
and closing. Optimum stability through the conical,  
U-profile clamping arm.

**On request:**

Other grip colors.

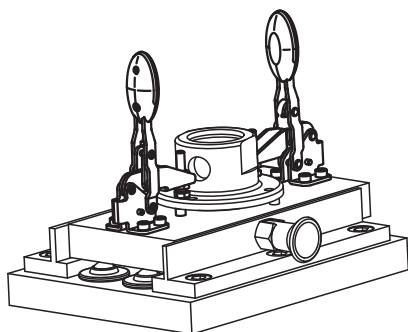
**Accessories:**

- K0106
- K0098
- K0383
- K0388
- K0390
- K0391
- K0392
- K0393



## Horizontal Toggle Clamps

with flat foot and adjustable clamping spindle



Angle bracket for front face mounting (see accessories)

### KIPP Horizontal Toggle Clamps with flat foot and adjustable clamping spindle, metric

Item No.	hole arrangement	Opening angle of holding arm	Opening angle of handle	Hand force FH N	Retaining force F1 N	Holding force F2 N	Clamping force F3 N	Clamping force F4 N	Item No. Angle Bracket
K0660.00400Δ	1	87°	69°	80	400	500	250	300	K0098.02
K0660.00500Δ	2	86°	67°	100	650	900	550	620	K0098.02
K0660.00600Δ	3	86°	67°	160	1350	1900	720	1200	K0098.04
K0660.00800Δ	3	86°	67°	200	2000	2800	830	1400	K0098.04
K0660.01000Δ	3	90°	71°	250	2200	4500	1200	2800	K0098.06
K0660.01200Δ	4	88°	68°	280	2400	5500	1000	2800	K0098.06

Item No.	M	A	A1	A2	A3	A4	B	B1	B2	B3	B4	B5	B6	C	C2	D	H	H1	L	L1
K0660.00400Δ	M4x16	16	24	4	12,8	0,95	16	24	10,2	7,2	14,1	1,5	20	11,7	4,95	4,2	28,7	26,3	91,8	23,7
K0660.00500Δ	M5x25	18	27	4,5	13,5	-	16,8	27,3	13,2	9,2	-	2	22,5	17,2	5,25	5,5	43,4	38,9	125,7	41,8
K0660.00600Δ	M6x35	26	39	6,5	-	-	28	39	17,5	12,5	23	2,5	43,5	25,4	-	5,5	63,7	59,6	186,6	60,5
K0660.00800Δ	M8x45	26	44	9	-	-	31	45	21	16	24	2,5	41,5	32,2	-	6,2	73,9	70,1	223,1	74,9
K0660.01000Δ	M10x55	41,5	59	9	-	-	43	59	26	19	39	3,5	47	40	-	8,8	94,8	88	279,4	103,9
K0660.01200Δ	M12x70	44	65	10	40	1	42	67	28	21	40	3,5	47	52,3	13,5	8,5	104,8	101,6	314,7	122

## Horizontal Toggle Clamps with Safety Interlock

with flat foot and adjustable clamping spindle



KIPPLock<sup>+</sup>



**Material:**

Steel.  
Grip polyamide.  
Unlocking bracket TPE.

**Type:**

Carbonitrided and black oxidized.  
Grip element blue, black or red.

**Part Number Example:**

K0660.006101  
(blue grip)

**Order information:**

Δ Enter the desired grip color here.

**Note:**

Maintenance-free high quality link bushings.  
Sustainable constant force during opening and closing. Optimum stability through the conical, U-profile clamping arm. Includes internal bar lock with automatic safety catch.

**On request:**

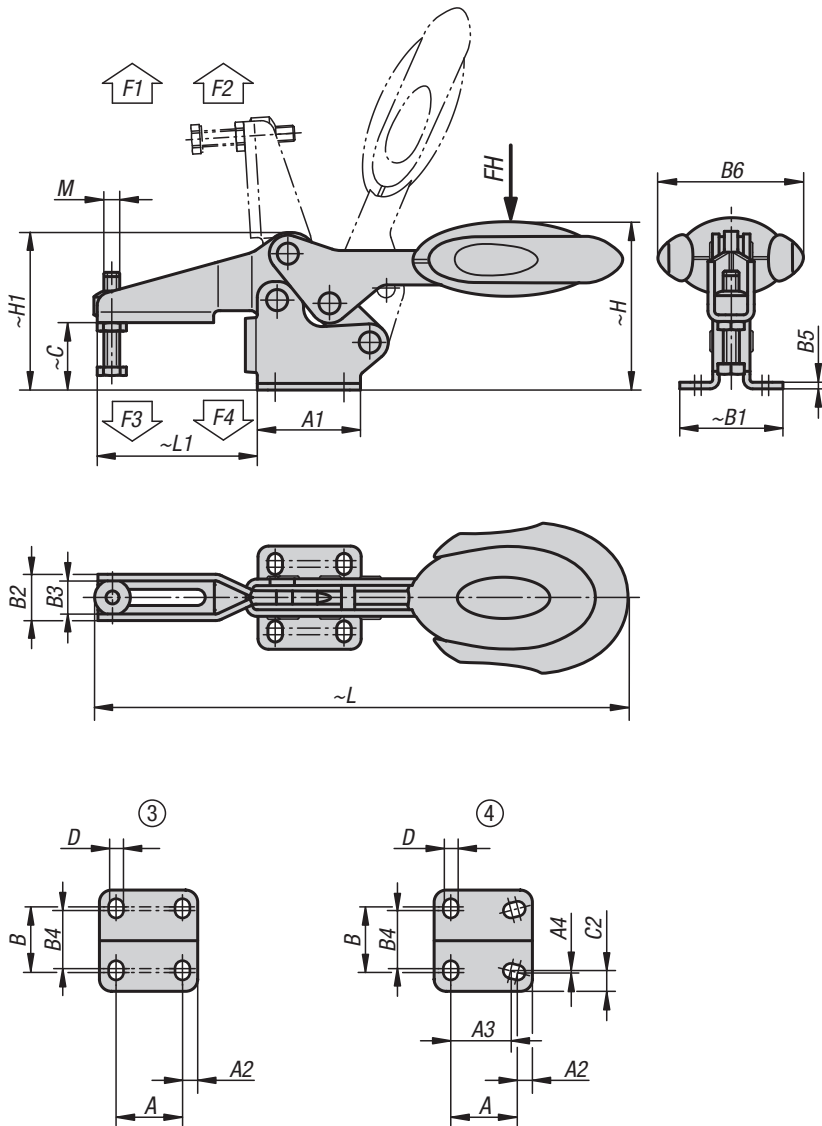
Other grip colors.

**Accessories:**

- K0106
- K0098
- K0383
- K0388
- K0390
- K0391
- K0392
- K0393

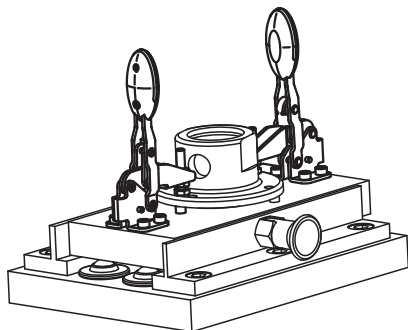
METRIC  
Parts

Expanded Line



## Horizontal Toggle Clamps with Safety Interlock

with flat foot and adjustable clamping spindle



Angle bracket for front face mounting (see accessories)

### KIPP Horizontal Toggle Clamps with Safety Interlock, with flat foot and adjustable clamping spindle, metric

Item No.	hole arrangement	Opening angle of holding arm	Opening angle of handle	Hand force FH N	Retaining force F1 N	Holding force F2 N	Clamping force F3 N	Clamping force F4 N	Item No. Angle Bracket
K0660.00610Δ	3	86°	67°	160	1350	1900	720	1200	K0098.04
K0660.00810Δ	3	86°	67°	200	2000	2800	830	1400	K0098.04
K0660.01010Δ	3	90°	71°	250	2200	4500	1200	2800	K0098.06
K0660.01210Δ	4	88°	68°	280	2400	5500	1000	2800	K0098.06

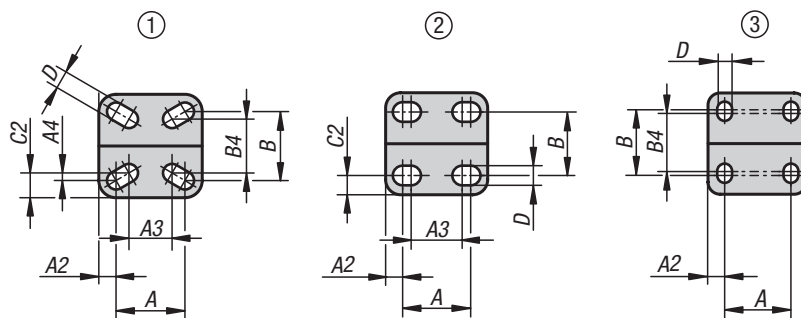
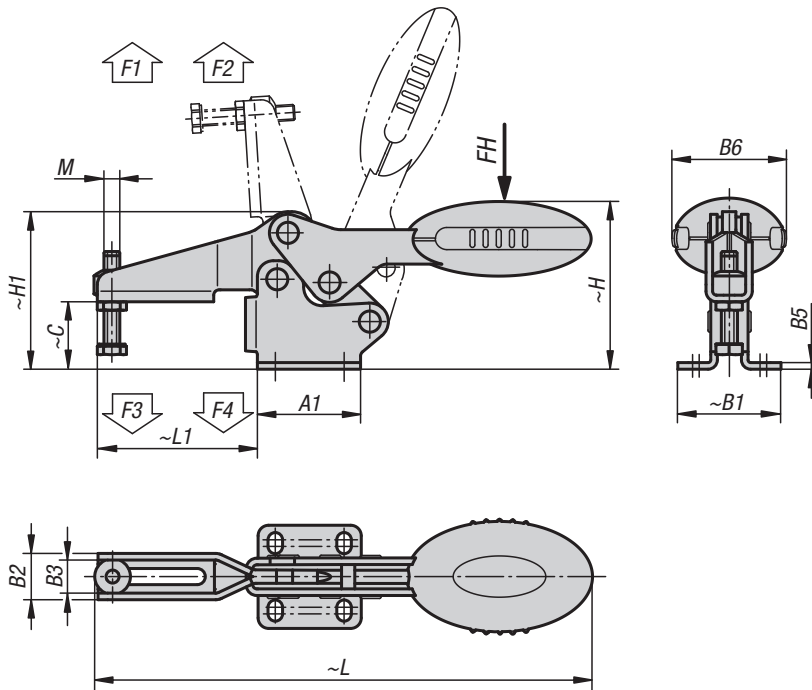
Item No.	M	A	A1	A2	A3	A4	B	B1	B2	B3	B4	B5	B6	C	C2	D	H	H1	L	L1
K0660.00610Δ	M6x35	26	39	6,5	-	-	28	39	17,5	12,5	23	2,5	53,4	25,4	-	5,5	63,7	59,6	193,3	60,5
K0660.00810Δ	M8x45	26	44	9	-	-	31	45	21	16	24	2,5	51,1	32,2	-	6,2	73,9	70,1	230,4	74,9
K0660.01010Δ	M10x55	41,5	59	8,5	-	-	43	59	26	19	39	3,5	56,5	40	-	8,8	94,8	88	286	103,9
K0660.01210Δ	M12x70	44	65	10	40	1	42	67	28	21	40	3,5	56,5	52,3	13,5	8,5	104,8	101,6	321,3	122

## Horizontal Toggle Clamps

with flat foot and adjustable clamping spindle, stainless steel



**KIPlock**



**Material:**

Stainless steel.  
Grip polyamide.

**Type:**

Bright.  
Handle element blue, black or red.

**Part Number Example:**

K0660.105001  
(blue grip)

**Order information:**

Δ Enter the desired grip color here.

**Note:**

Maintenance-free high quality link bushings.  
Sustainable constant use of force during opening and closing. Optimum stability through the conical, U-profile clamping arm.

**On request:**

Other grip colors.

**Accessories:**

- K0106
- K0384
- K0390
- K0392
- K0667

## Horizontal Toggle Clamps

with flat foot and adjustable clamping spindle, stainless steel



### KIPP Horizontal Toggle Clamps with flat foot, stainless steel, metric

Item No.	hole arrangement	Opening angle of holding arm	Opening angle of handle	Hand force FH N	Retaining force F1 N	Holding force F2 N	Clamping force F3 N	Clamping force F4 N
K0660.10400Δ	1	87°	69°	80	400	500	250	300
K0660.10500Δ	2	86°	67°	100	650	900	550	620
K0660.10600Δ	3	86°	67°	160	1350	1900	720	1200
K0660.10800Δ	3	86°	67°	200	2000	2800	830	1400

Item No.	M	A	A1	A2	A3	A4	B	B1	B2	B3	B4	B5	B6	C	C2	D	H	H1	L	L1
K0660.10400Δ	M4x16	16	24	4	12,8	0,95	16	24	10,2	7,2	12,5	1,5	20	11,7	4,95	4,2	28,7	26,3	91,8	23,7
K0660.10500Δ	M5x25	18	27	4,5	13,5	-	16,8	27,3	13,2	9,2	-	2	22,5	17,2	5,25	5,5	43,4	38,9	125,7	41,8
K0660.10600Δ	M6x35	26	39	6,5	-	-	28	39	17,5	12,5	23	2,5	43,5	25,4	-	5,5	63,7	59,6	186,6	60,5
K0660.10800Δ	M8x45	26	44	9	-	-	31	45	21	16	24	2,5	41,5	32,2	-	6,2	73,9	70,1	223,1	74,9

## Horizontal Toggle Clamps with Safety Interlock

with flat foot and adjustable clamping spindle, stainless steel



KIPPl<sup>+</sup>ock



**Material:**

Stainless steel.  
Grip polyamide.  
Unlocking bracket TPE.

**Type:**

Bright.  
Handle element blue, black or red.

**Part Number Example:**

K0660.106101  
(blue grip)

**Order information:**

Δ Enter the desired grip color here.

**Note:**

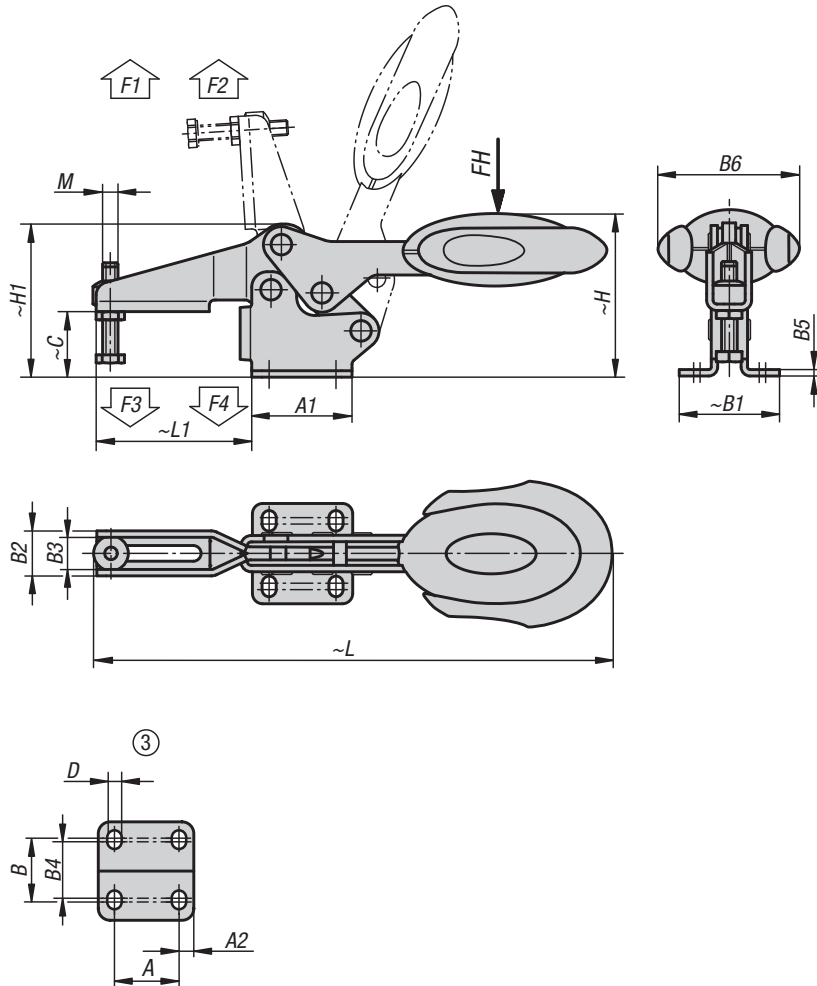
Maintenance-free high quality link bushings.  
Sustainable constant force during opening and closing. Optimum stability through the conical, U-profile clamping arm. Includes internal bar lock with automatic safety catch.

**On request:**

Other grip colors.

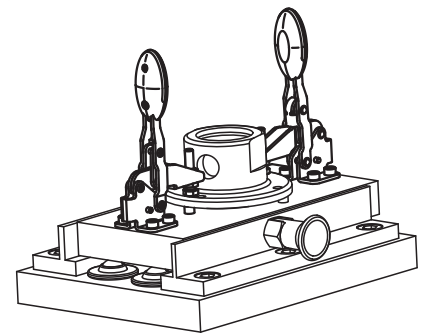
**Accessories:**

- K0106
- K0384
- K0390
- K0392
- K0667



## Horizontal Toggle Clamps with Safety Interlock

with flat foot and adjustable clamping spindle, stainless steel



RAL 7021  $\Delta = 0$     RAL 5002  $\Delta = 1$     RAL 3020  $\Delta = 3$

### KIPP Horizontal Toggle Clamps with Safety Interlock with flat foot and adjustable clamping spindle, stainless steel, metric

Item No.	hole arrangement	Opening angle of holding arm	Opening angle of handle	Hand force FH N	Retaining force F1 N	Holding force F2 N	Clamping force F3 N	Clamping force F4 N
K0660.10610Δ	3	86°	67°	160	1350	1900	720	1200
K0660.10810Δ	3	86°	67°	200	2000	2800	830	1400

Item No.	M	A	A1	A2	B	B1	B2	B3	B4	B5	B6	C	D	H	H1	L	L1
K0660.10610Δ	M6x35	26	39	6,5	28	39	17,5	12,5	23	2,5	53,4	25,4	5,5	63,7	59,6	193,3	60,5
K0660.10810Δ	M8x45	26	44	9	31	45	21	16	24	2,5	51,1	32,2	6,2	73,9	70,1	230,4	74,9

## Horizontal Toggle Clamps

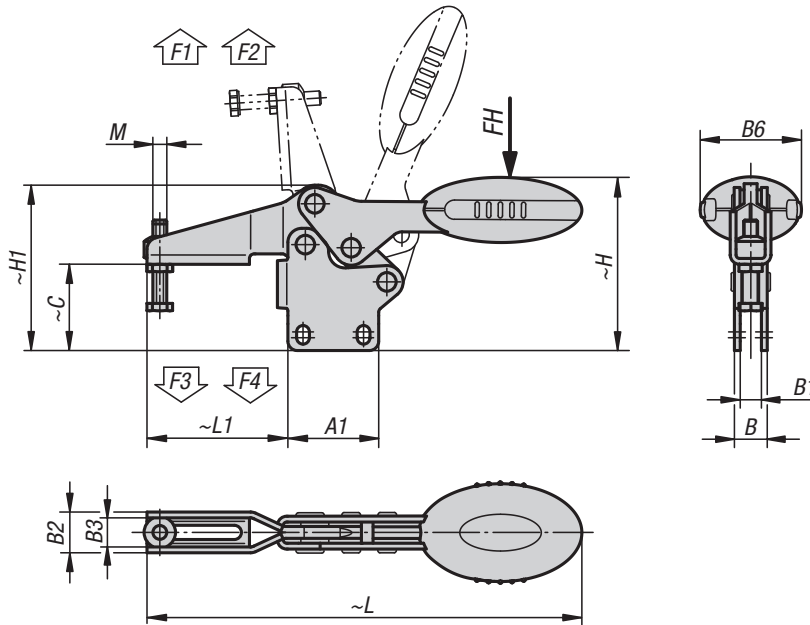
with straight foot and adjustable clamping spindle



METRIC  
Parts

Expanded Line

KIPlock



**Material:**

Steel.  
Grip polyamide.

**Type:**

Carbonitrided and black oxidized.  
Grip element blue, black or red.

**Part Number Example:**

K0661.005001  
(blue grip)

**Order information:**

Δ Enter the desired grip color here.

**Note:**

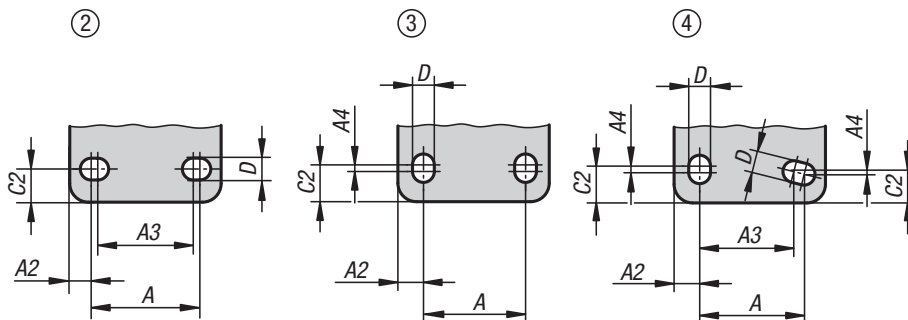
Maintenance-free high quality link bushings.  
Sustainable constant use of force during opening and closing. Optimum stability through the conical, U-profile clamping arm.

**On request:**

Other grip colors.

**Accessories:**

- K0106
- K0383
- K0388
- K0390
- K0391
- K0392
- K0393





## Horizontal Toggle Clamps

with straight foot and adjustable clamping spindle



### KIPP Horizontal Toggle Clamps with straight foot and adjustable clamping spindle, metric

Item No.	hole arrangement	Opening angle of holding arm	Opening angle of handle	Hand force FH N	Retaining force F1 N	Holding force F2 N	Clamping force F3 N	Clamping force F4 N
K0661.00500Δ	2	86°	67°	100	650	900	550	620
K0661.00600Δ	3	86°	67°	160	1350	1900	720	1200
K0661.00800Δ	3	86°	67°	200	2000	2800	830	1400
K0661.01000Δ	3	90°	71°	250	2200	4500	1200	2800
K0661.01200Δ	4	88°	68°	280	2400	5500	1000	2800

Item No.	M	A	A1	A2	A3	A4	B	B1	B2	B3	B6	C	C2	D	H	H1	L	L1
K0661.00500Δ	M5x25	18	27	4,5	13,5	-	8,1	4,1	13,2	9,2	22,5	26,2	5,2	5,5	52,2	47,9	125,7	41,8
K0661.00600Δ	M6x35	26	39	6,5	-	2,5	14,1	9,1	17,5	12,5	43,5	36,9	8	5,5	75,2	71	186,6	60,5
K0661.00800Δ	M8x45	26	44	9	-	3,5	14,1	9,1	21	16	41,5	46,5	10,5	6,2	88,2	84,3	223,1	74,9
K0661.01000Δ	M10x55	41,5	59	9	-	2	16,2	9,2	26	19	47	59,6	10	8,8	114,3	107,5	279,4	103,9
K0661.01200Δ	M12x70	44	65	11	40	1	16,2	9,2	28	21	47	75,9	13,5	8,5	128,4	125,2	314,7	122

## Horizontal Toggle Clamps with Safety Interlock

with straight foot and adjustable clamping spindle



KIPPl<sup>+</sup>ock



**Material:**

Steel.  
Grip polyamide.  
Unlocking bracket TPE.

**Type:**

Carbonitrided and black oxidized.  
Grip element blue, black or red.

**Part Number Example:**

K0661.006101  
(blue grip)

**Order information:**

Δ Enter the desired grip color here.

**Note:**

Maintenance-free high quality link bushings.  
Sustainable constant force during opening and closing. Optimum stability through the conical, U-profile clamping arm. Includes internal bar lock with automatic safety catch.

**On request:**

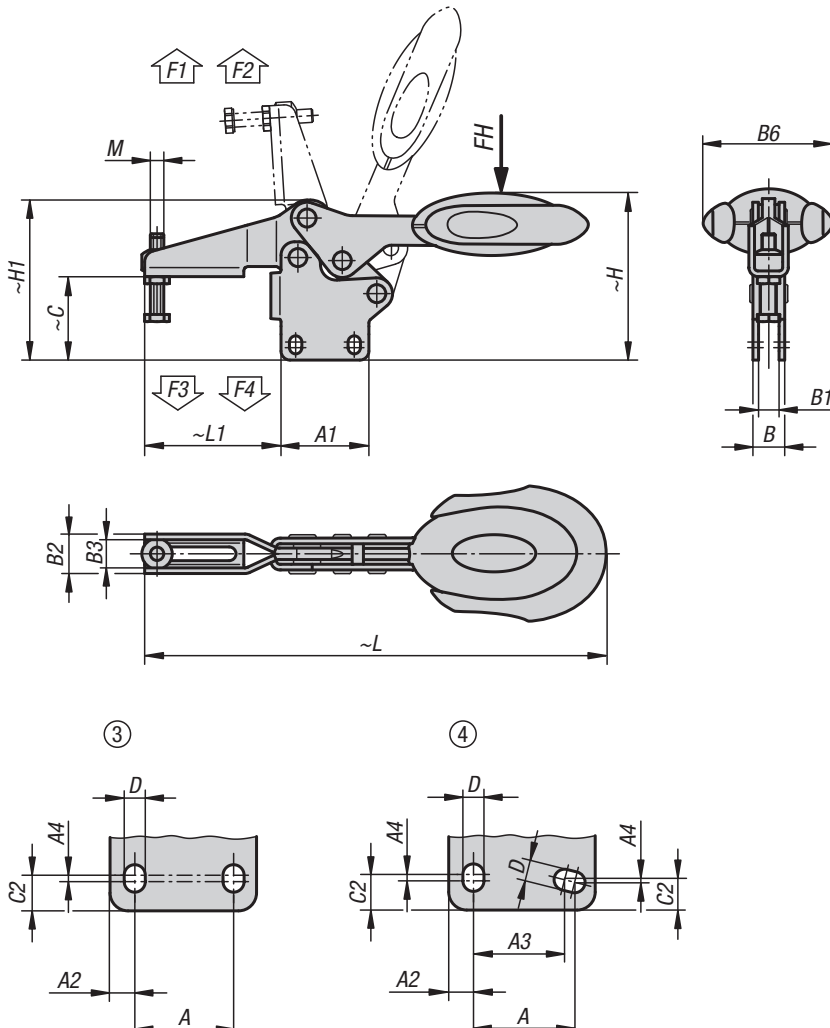
Other grip colors.

**Accessories:**

- K0106
- K0383
- K0388
- K0390
- K0391
- K0392
- K0393

METRIC  
Parts

Expanded Line



## Horizontal Toggle Clamps with Safety Interlock

with straight foot and adjustable clamping spindle



### KIPP Horizontal Toggle Clamps with Safety Interlock, with straight foot and adjustable clamping spindle, metric

Item No.	hole arrangement	Opening angle of holding arm	Opening angle of handle	Hand force FH N	Retaining force F1 N	Holding force F2 N	Clamping force F3 N	Clamping force F4 N
K0661.00610Δ	3	86°	67°	160	1350	1900	720	1200
K0661.00810Δ	3	86°	67°	200	2000	2800	830	1400
K0661.01010Δ	3	90°	71°	250	2200	4500	1200	2800
K0661.01210Δ	4	88°	68°	280	2400	5500	1000	2800

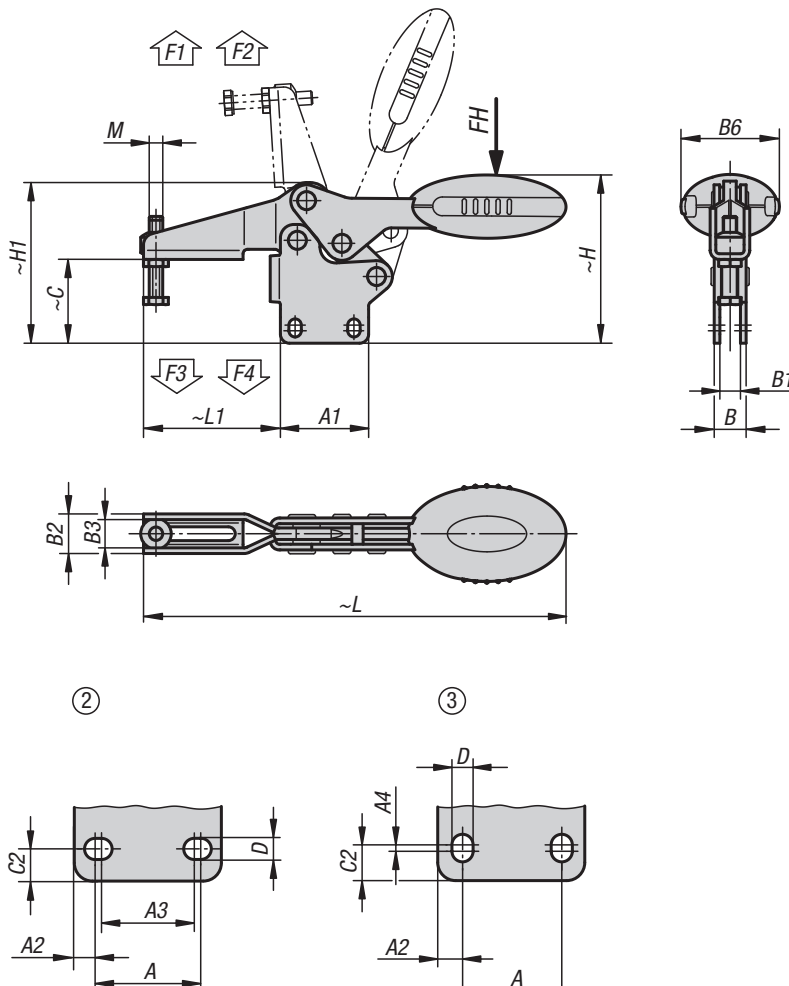
Item No.	M	A	A1	A2	A3	A4	B	B1	B2	B3	B6	C	C2	D	H	H1	L	L1
K0661.00610Δ	M6x35	26	39	6,5	-	2,5	14,1	9,1	17,5	12,5	53,4	36,9	8	5,5	75,2	71	193,3	60,5
K0661.00810Δ	M8x45	26	44	9	-	3,5	14,1	9,1	21	16	51,1	46,5	10,5	6,2	88,2	84,3	230,4	74,9
K0661.01010Δ	M10x55	41,5	59	9	-	2	16,2	9,2	26	19	56,5	59,6	10	8,8	114,3	107,5	286	103,9
K0661.01210Δ	M12x70	44	65	11	40	1	16,2	9,2	28	21	56,5	75,9	13,5	8,5	128,4	125,2	321,3	122

## Horizontal Toggle Clamps

with straight foot and adjustable clamping spindle, stainless steel



### KIPlock



**Material:**

Stainless steel.  
Grip polyamide.

**Type:**

Bright.  
Handle element blue, black or red.

**Part Number Example:**

K0661.105001  
(blue grip)

**Order information:**

Δ Enter the desired grip color here.

**Note:**

Maintenance-free high quality link bushings.  
Sustainable constant use of force during opening and closing. Optimum stability through the conical, U-profile clamping arm.

**On request:**

Other grip colors.

**Accessories:**

- K0106
- K0384
- K0390
- K0392
- K0667

# Horizontal Toggle Clamps

with straight foot and adjustable clamping spindle, stainless steel



## KIPP Horizontal Toggle Clamps with straight foot and adjustable clamping spindle, stainless steel, metric

Item No.	hole arrangement	Opening angle of holding arm	Opening angle of handle	Hand force FH N	Retaining force F1 N	Holding force F2 N	Clamping force F3 N	Clamping force F4 N
K0661.10500Δ	2	86°	67°	100	650	900	550	620
K0661.10600Δ	3	86°	67°	160	1350	1900	720	1200
K0661.10800Δ	3	86°	67°	200	2000	2800	830	1400

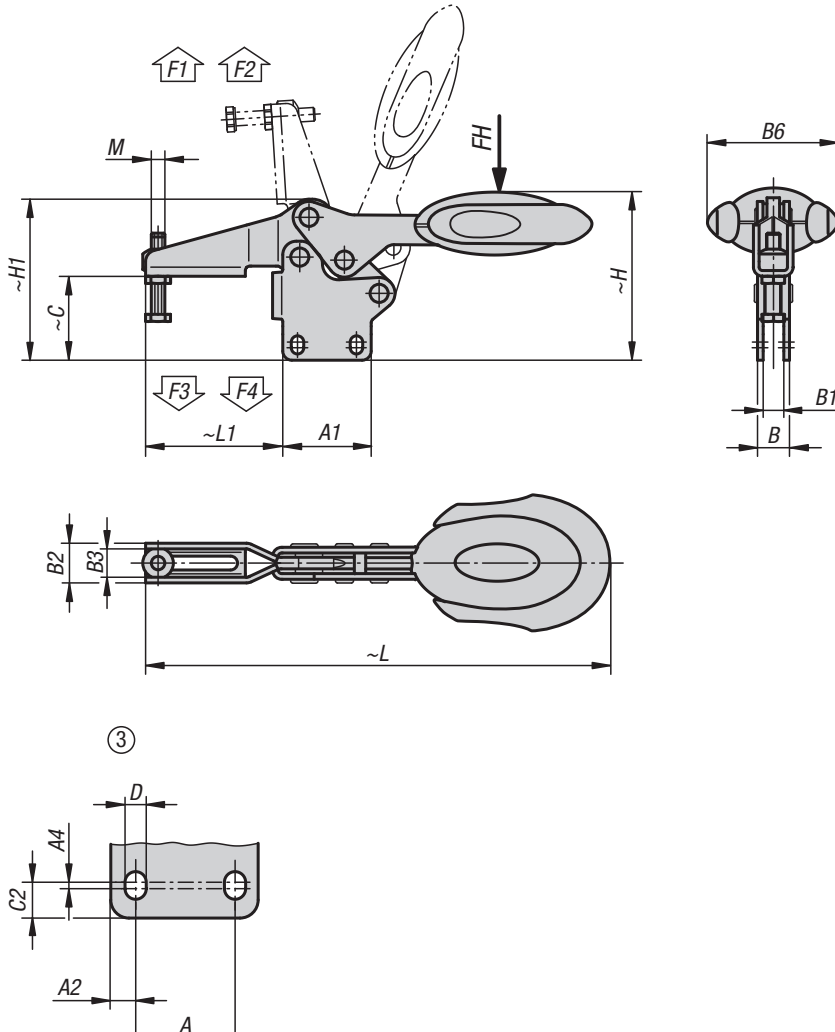
Item No.	M	A	A1	A2	A3	A4	B	B1	B2	B3	B6	C	C2	D	H	H1	L	L1
K0661.10500Δ	M5x25	18	27	4,5	13,5	-	8,1	4,1	13,2	9,2	22,5	26,2	5,2	5,5	52,2	47,9	125,7	41,8
K0661.10600Δ	M6x35	26	39	6,5	-	2,5	14,1	9,1	17,5	12,5	43,5	36,9	8	5,5	75,2	71	186,6	60,5
K0661.10800Δ	M8x45	26	44	9	-	3,5	14,1	9,1	21	16	41,5	46,5	10,5	6,2	88,2	84,3	223,1	74,9

## Horizontal Toggle Clamps with Safety Interlock

with straight foot and adjustable clamping spindle, stainless steel



KIPlock<sup>+</sup>



**Material:**

Stainless steel.  
Grip polyamide.  
Unlocking bracket TPE.

**Type:**

Bright.  
Handle element blue, black or red.

**Part Number Example:**

K0661.106101  
(blue grip)

**Order information:**

Δ Enter the desired grip color here.

**Note:**

Maintenance-free high quality link bushings.  
Sustainable constant force during opening and closing. Optimum stability through the conical, U-profile clamping arm. Includes internal bar lock with automatic safety catch.

**On request:**

Other grip colors.

**Accessories:**

- K0106
- K0384
- K0390
- K0392
- K0667

## Horizontal Toggle Clamps with Safety Interlock

with straight foot and adjustable clamping spindle, stainless steel



### KIPP Horizontal Toggle Clamps with Safety Interlock, straight foot and adjustable clamping spindle, stainless steel, metric

Item No.	hole arrangement	Opening angle of holding arm	Opening angle of handle	Hand force FH N	Retaining force F1 N	Holding force F2 N	Clamping force F3 N	Clamping force F4 N
<b>K0661.10610Δ</b>	3	86°	67°	160	1350	1900	720	1200
<b>K0661.10810Δ</b>	3	86°	67°	200	2000	2800	830	1400

Item No.	M	A	A1	A2	A4	B	B1	B2	B3	B6	C	C2	D	H	H1	L	L1
<b>K0661.10610Δ</b>	M6x35	26	39	6,5	2,5	14,1	9,1	17,5	12,5	53,4	36,9	8	5,5	75,2	71	193,3	60,5
<b>K0661.10810Δ</b>	M8x45	26	44	9	3,5	14,1	9,1	21	16	51,1	46,5	10,5	6,2	88,2	84,3	230,4	74,9

## Vertical Toggle Clamps

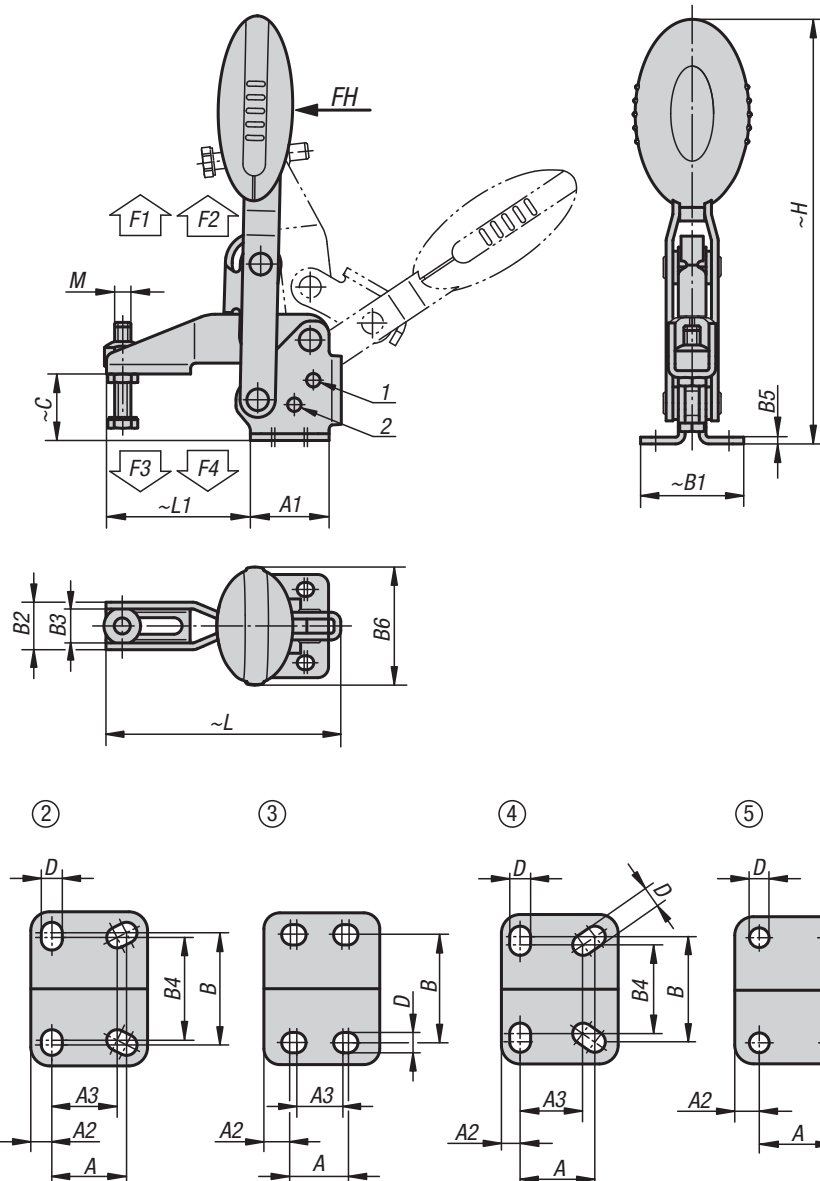
with flat foot and adjustable clamping spindle

METRIC  
Parts

Expanded Line



KIPPLock



**Material:**

Steel.  
Grip polyamide.

**Type:**

Carbonitrided and black oxidized.  
Grip element blue, black or red.

**Part Number Example:**

K0662.005001  
(blue grip)

**Order information:**

Δ Enter the desired grip color here.

**Note:**

Maintenance-free high quality link bushings.  
Sustainable constant use of force during opening and closing. Optimum stability through the conical, U-profile clamping arm.

**On request:**

Other grip colors.

**Accessories:**

- K0106
- K0098
- K0383
- K0388
- K0390
- K0391
- K0392
- K0393

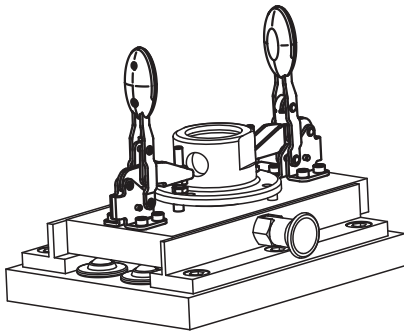
**Drawing reference:**

- 1) Stop pin Position 1
- 2) Stop pin Position 2



## Vertical Toggle Clamps

with flat foot and adjustable clamping spindle



Angle bracket for front face mounting (see accessories)

### KIPP Vertical Toggle Clamps with flat foot and adjustable clamping spindle, metric

Item No.	Opening angle of holding arm position 1	Opening angle of holding arm position 2	Opening angle of holding arm stop pin removed	Opening angle of handle position 1	Opening angle of handle position 2	Opening angle of handle stop pin removed
K0662.00500Δ	100°	-	147°	64°	-	83°
K0662.00600Δ	56°	83°	152°	46°	56°	83°
K0662.00800Δ	13°	93°	158°	26°	61°	86°
K0662.01000Δ	6°	97°	176°	19°	59°	91°
K0662.01200Δ	11°	88°	164°	24°	60°	91°

Item No.	Hand force FH N	Retaining force F1 N	Holding force F2 N	Clamping force F3 N	Clamping force F4 N	Item No. Angle Bracket
K0662.00500Δ	100	750	1050	620	750	K0098.02
K0662.00600Δ	160	1350	1650	920	1050	K0098.02
K0662.00800Δ	190	2000	2800	940	1350	K0098.04
K0662.01000Δ	250	2500	4500	1500	2800	K0098.06
K0662.01200Δ	280	3000	5500	1400	2800	K0098.06

## Vertical Toggle Clamps with Safety Interlock

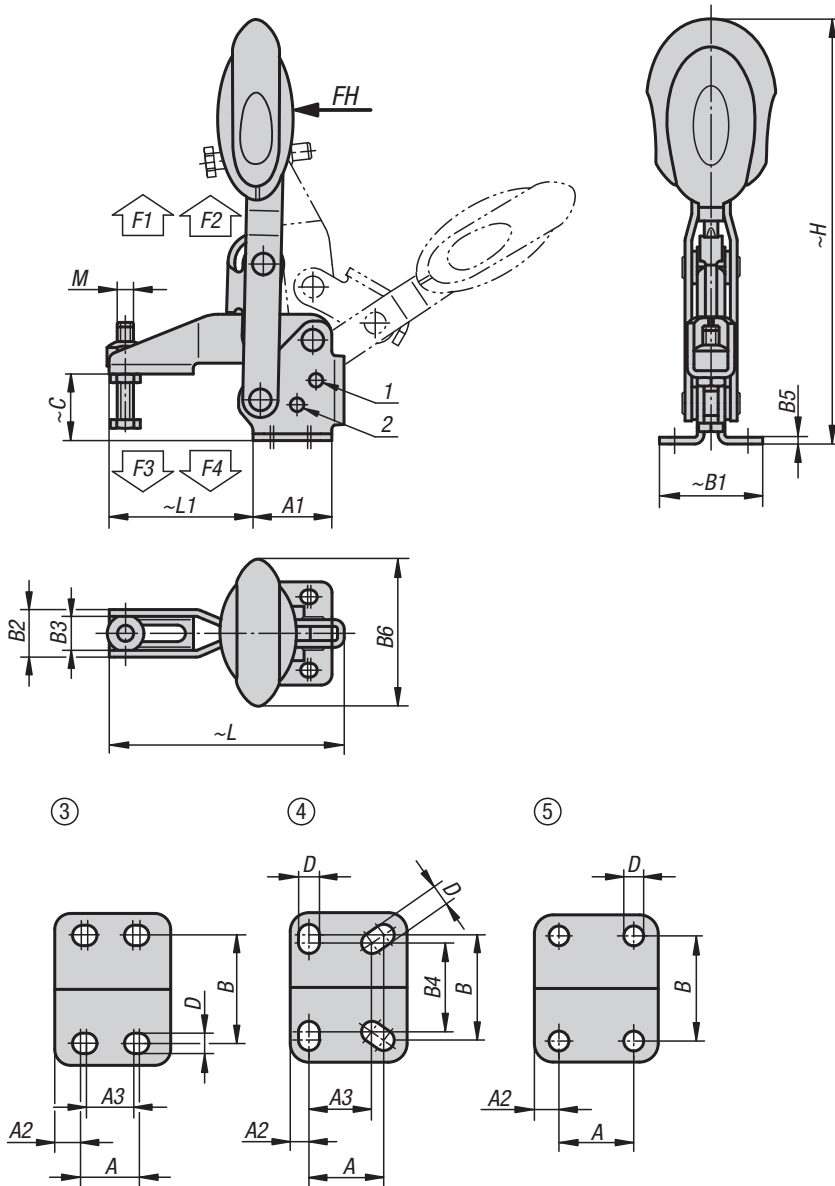
with flat foot and adjustable clamping spindle

METRIC  
Parts

Expanded Line



KIPPl<sup>+</sup>ock



**Material:**

Steel.  
Grip polyamide.  
Unlocking bracket TPE.

**Type:**

Carbonitrided and black oxidized.  
Grip element blue, black or red.

**Part Number Example:**

K0662.006101  
(blue grip)

**Order information:**

Δ Enter the desired grip color here.

**Note:**

Maintenance-free high quality link bushings.  
Sustainable constant force during opening and closing. Optimum stability through the conical, U-profile clamping arm. Includes internal bar lock with automatic safety catch.

**On request:**

Other grip colors.

**Accessories:**

- K0106
- K0098
- K0383
- K0388
- K0390
- K0391
- K0392
- K0393

**Drawing reference:**

- 1) Stop pin Position 1
- 2) Stop pin Position 2

## Vertical Toggle Clamps with Safety Interlock

with flat foot and adjustable clamping spindle



RAL 7021  $\Delta = 0$   
RAL 5002  $\Delta = 1$   
RAL 3020  $\Delta = 3$



Angle bracket for front face mounting (see accessories)

### KIPP Vertical Toggle Clamps with Safety Interlock with flat foot and adjustable clamping spindle, metric

Item No.	Opening angle of holding arm position 1	Opening angle of holding arm position 2	Opening angle of holding arm stop pin removed	Opening angle of handle position 1	Opening angle of handle position 2	Opening angle of handle stop pin removed
K0662.00610Δ	56°	83°	152°	46°	56°	83°
K0662.00810Δ	13°	93°	158°	26°	61°	86°
K0662.01010Δ	6°	97°	176°	19°	59°	91°
K0662.01210Δ	11°	88°	164°	24°	60°	91°

Item No.	Hand force FH N	Retaining force F1 N	Holding force F2 N	Clamping force F3 N	Clamping force F4 N	Item No. Angle Bracket
K0662.00610Δ	160	1350	1650	920	1050	K0098.02
K0662.00810Δ	190	2000	2800	940	1350	K0098.04
K0662.01010Δ	250	2500	4500	1500	2800	K0098.06
K0662.01210Δ	280	3000	5500	1400	2800	K0098.06

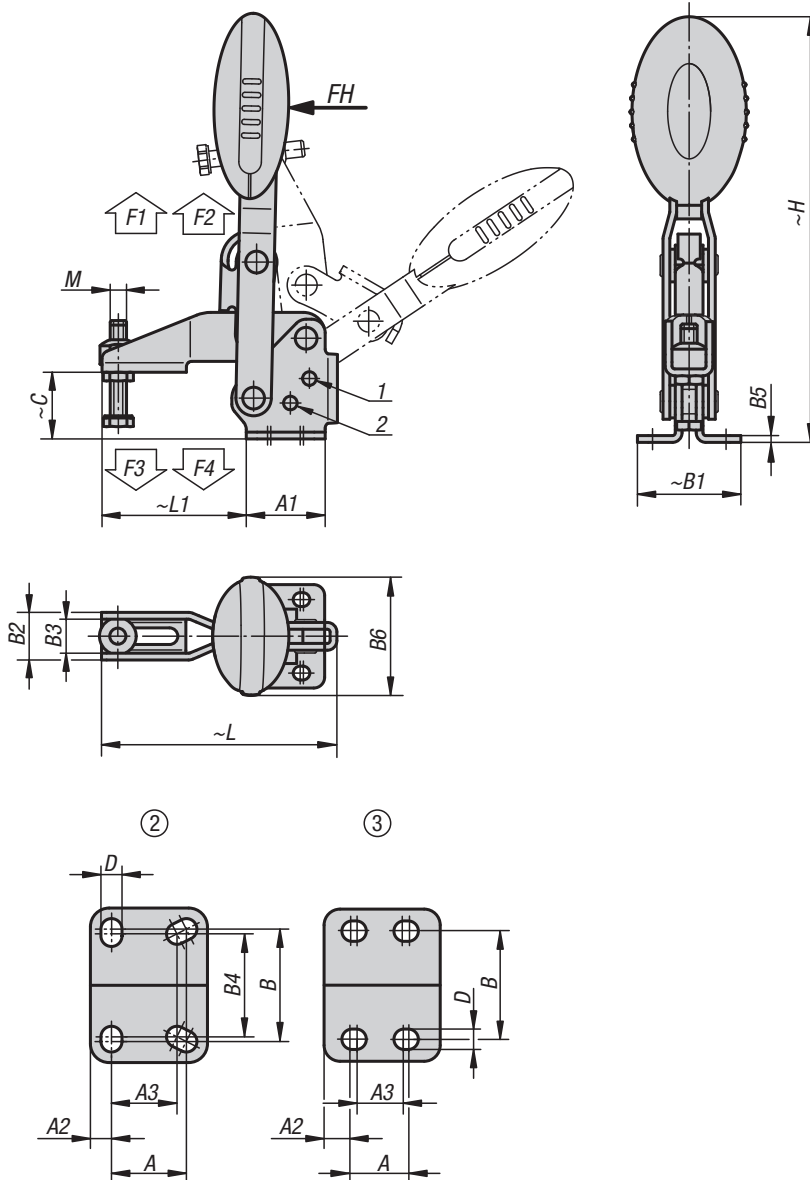
Item No.	hole arrangement	M	A	A1	A2	A3	B	B1	B2	B3	B4	B5	B6	C	D	H	L	L1
K0662.00610Δ	3	M6x35	14	29	7	12	27	38	17,5	12,5	-	2,5	53,4	24,9	5,5	163	86,5	53
K0662.00810Δ	3	M8x45	21	39	9	19	32	45	20,6	15,6	-	2,5	51,1	32,7	6,8	191,4	107	62
K0662.01010Δ	4	M10x55	32	50	8	27	45	64	25,5	18,5	38	3,5	56,5	38,7	9	230,5	153	95
K0662.01210Δ	5	M12x70	32	53	10,5	-	45	63	28	21	-	3,5	56,5	46,7	8,8	249,1	173,5	113,5

## Vertical Toggle Clamps

with flat foot and adjustable clamping spindle, stainless steel



### KIPlock



#### Material:

Stainless steel.  
Grip polyamide.

#### Type:

Bright.  
Handle element blue, black or red.

#### Part Number Example:

K0662.105001  
(blue grip)

#### Order information:

Δ Enter the desired grip color here.

#### Note:

Maintenance-free high quality link bushings.  
Sustainable constant use of force during opening and closing. Optimum stability through the conical, U-profile clamping arm.

#### On request:

Other grip colors.

#### Accessories:

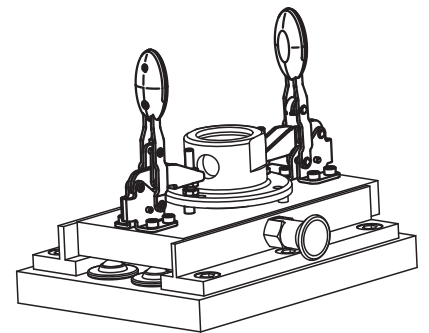
K0106  
K0384  
K0390  
K0392  
K0667

#### Drawing reference:

1) Stop pin Position 1  
2) Stop pin Position 2

## Vertical Toggle Clamps

with flat foot and adjustable clamping spindle, stainless steel



### KIPP Vertical Toggle Clamps with flat foot and adjustable clamping spindle, stainless steel, metric

Item No.	Opening angle of holding arm position 1	Opening angle of holding arm position 2	Opening angle of holding arm stop pin removed	Opening angle of handle position 1	Opening angle of handle position 2	Opening angle of handle stop pin removed
K0662.10500Δ	100°	-	147°	64°	-	83°
K0662.10600Δ	56°	83°	152°	46°	56°	83°
K0662.10800Δ	13°	93°	158°	26°	61°	86°

Item No.	Hand force FH N	Retaining force F1 N	Holding force F2 N	Clamping force F3 N	Clamping force F4 N
K0662.10500Δ	100	750	1050	620	750
K0662.10600Δ	160	1350	1650	920	1050
K0662.10800Δ	190	2000	2800	940	1350

Item No.	hole arrangement	M	A	A1	A2	A3	B	B1	B2	B3	B4	B5	B6	C	D	H	L	L1
K0662.10500Δ	2	M5x25	16	25	4,5	14	24	33	13,2	9,2	22	2	22,5	18	4,5	107,4	65,6	35
K0662.10600Δ	3	M6x35	14	29	7	12	27	38	17,5	12,5	-	2,5	43,5	24,9	5,5	156,3	86,5	53
K0662.10800Δ	3	M8x45	21	39	9	19	32	45	20,6	15,6	-	2,5	41,5	32,7	6,8	184,2	107	62

## Vertical Toggle Clamps with Safety Interlock

with flat foot and adjustable clamping spindle, stainless steel



KIPlock<sup>+</sup>



**Material:**  
Stainless steel.  
Grip polyamide.  
Unlocking bracket TPE.

**Type:**  
Bright.  
Handle element blue, black or red.

**Part Number Example:**  
K0662.106101  
(blue grip)

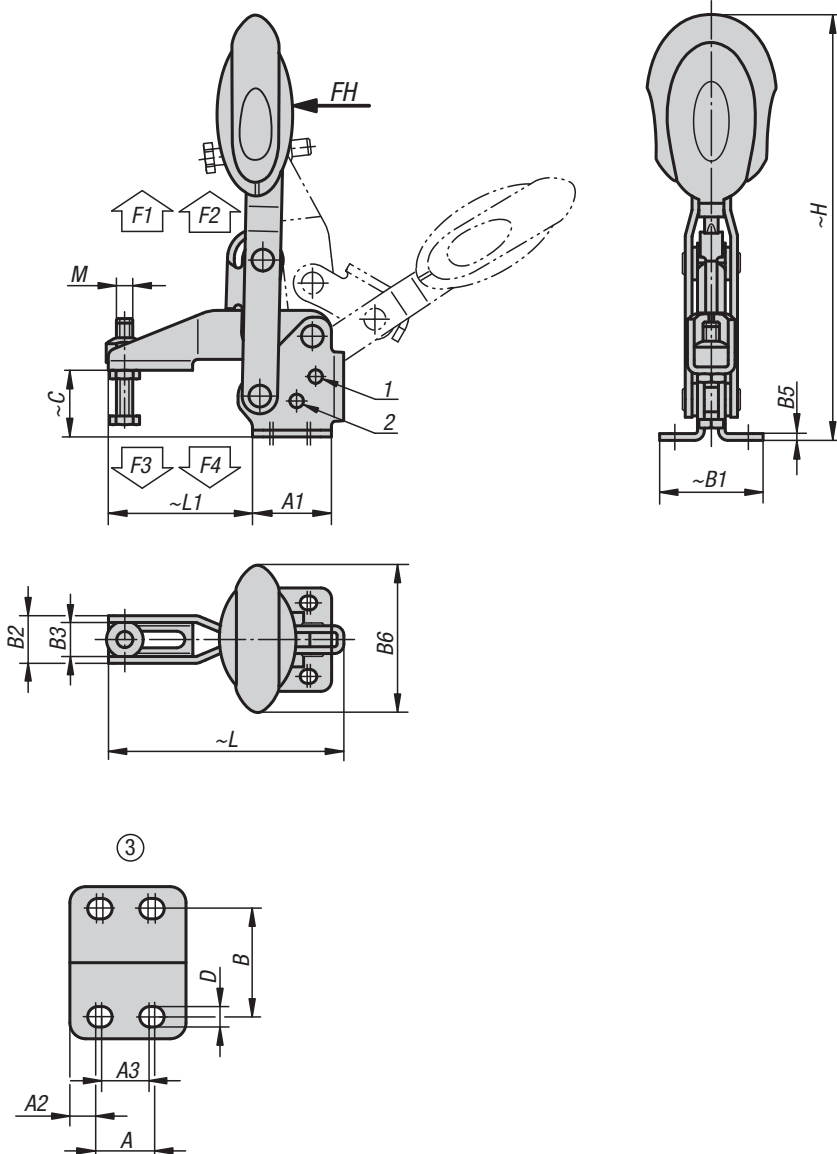
**Order information:**  
Δ Enter the desired grip color here.

**Note:**  
Maintenance-free high quality link bushings.  
Sustainable constant force during opening and closing. Optimum stability through the conical, U-profile clamping arm. Includes internal bar lock with automatic safety catch.

**On request:**  
Other grip colors.

**Accessories:**  
K0106  
K0384  
K0390  
K0392  
K0667

**Drawing reference:**  
1) Stop pin Position 1  
2) Stop pin Position 2

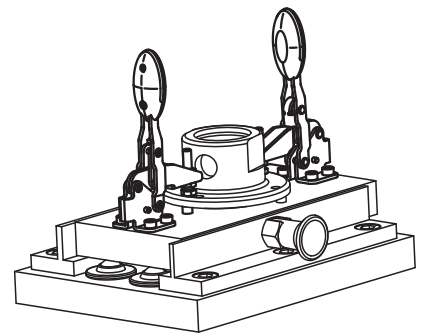


## Vertical Toggle Clamps with Safety Interlock

with flat foot and adjustable clamping spindle, stainless steel



RAL 7021  $\Delta = 0$     RAL 5002  $\Delta = 1$     RAL 3020  $\Delta = 3$



### KIPP Vertical Toggle Clamps with Safety Interlock with flat foot and adjustable clamping spindle, stainless steel, metric

Item No.	Opening angle of holding arm position 1	Opening angle of holding arm position 2	Opening angle of holding arm stop pin removed	Opening angle of handle position 1	Opening angle of handle position 2	Opening angle of handle stop pin removed
K0662.10610Δ	56°	83°	152°	46°	56°	83°
K0662.10810Δ	13°	93°	158°	26°	61°	86°

Item No.	Hand force FH N	Retaining force F1 N	Holding force F2 N	Clamping force F3 N	Clamping force F4 N
K0662.10610Δ	160	1350	1650	920	1050
K0662.10810Δ	190	2000	2800	940	1350

Item No.	hole arrangement	M	A	A1	A2	A3	B	B1	B2	B3	B5	B6	C	D	H	L	L1
K0662.10610Δ	3	M6x35	14	29	7	12	27	38	17,5	12,5	2,5	53,4	24,9	5,5	163	86,5	53
K0662.10810Δ	3	M8x45	21	39	9	19	32	45	20,6	15,6	2,5	51,1	32,7	6,8	191,4	107	62

## Vertical Toggle Clamps

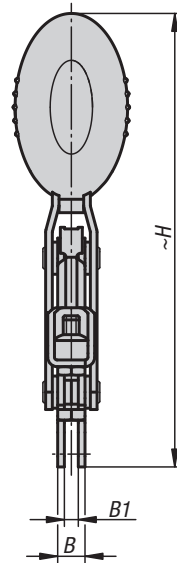
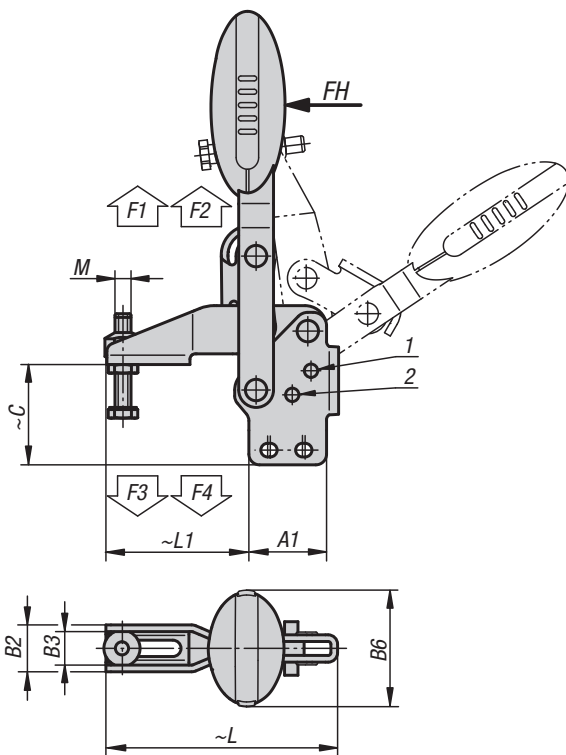
with straight foot and adjustable clamping spindle

METRIC  
Parts

Expanded Line



KIPlock



**Material:**

Steel.  
Grip polyamide.

**Type:**

Carbonitrided and black oxidized.  
Grip element blue, black or red.

**Part Number Example:**

K0663.005001  
(blue grip)

**Order information:**

Δ Enter the desired grip color here.

**Note:**

Maintenance-free high quality link bushings.  
Sustainable constant use of force during opening and closing. Optimum stability through the conical, U-profile clamping arm.

**On request:**

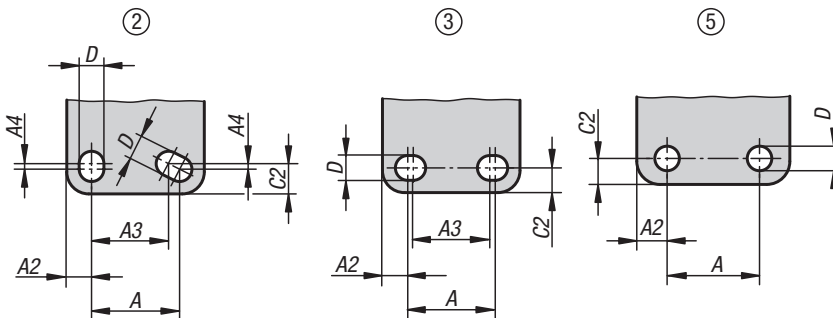
Other grip colors.

**Accessories:**

- K0106
- K0383
- K0388
- K0390
- K0391
- K0392
- K0393

**Drawing reference:**

- 1) Stop pin Position 1
- 2) Stop pin Position 2



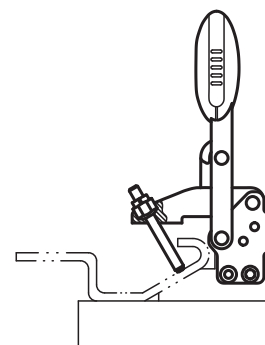


## Vertical Toggle Clamps

with straight foot and adjustable clamping spindle



RAL 7021  $\Delta = 0$     RAL 5002  $\Delta = 1$     RAL 3020  $\Delta = 3$



### KIPP Vertical Toggle Clamps with flat foot and adjustable clamping spindle, metric

Item No.	Opening angle of holding arm position 1	Opening angle of holding arm position 2	Opening angle of holding arm stop pin removed	Opening angle of handle position 1	Opening angle of handle position 2	Hand force FH N	Retaining force F1 N	Holding force F2 N	Clamping force F3 N	Clamping force F4 N
K0663.00500Δ	100°	-	129°	64°	-	100	750	1050	620	750
K0663.00600Δ	56°	83°	141°	46°	56°	160	1350	1650	920	1050
K0663.00800Δ	13°	93°	158°	26°	61°	190	2000	2800	940	1350
K0663.01000Δ	6°	97°	176°	19°	59°	250	2500	4500	1500	2800
K0663.01200Δ	11°	88°	164°	24°	60°	280	3000	5500	1400	2800

Item No.	hole arrangement	M	A	A1	A2	A3	A4	B	B1	B2	B3	B6	C	C2	D	H	L	L1
K0663.00500Δ	2	M5x25	16	25	4,5	14	1	8,1	4,1	13,2	9,2	22,5	29,8	5,5	4,5	119,2	65,6	35
K0663.00600Δ	3	M6x35	14	29	7	12	-	10,2	5,2	17,5	12,5	43,5	37,6	5,5	5,5	169	86,5	53
K0663.00800Δ	3	M8x45	21	39	9	19	-	10,2	5,2	20,6	15,6	41,5	49	6,5	6,8	200,4	107	62
K0663.01000Δ	2	M10x55	32	50	8	27	3,5	14,1	7,1	25,5	18,5	47	62,3	13	9	247,4	153	95
K0663.01200Δ	5	M12x70	32	53	10,5	-	-	14,1	7,1	28	21	47	69,8	9	8,8	265,5	173,5	113,5

# Vertical Toggle Clamps with Safety Interlock

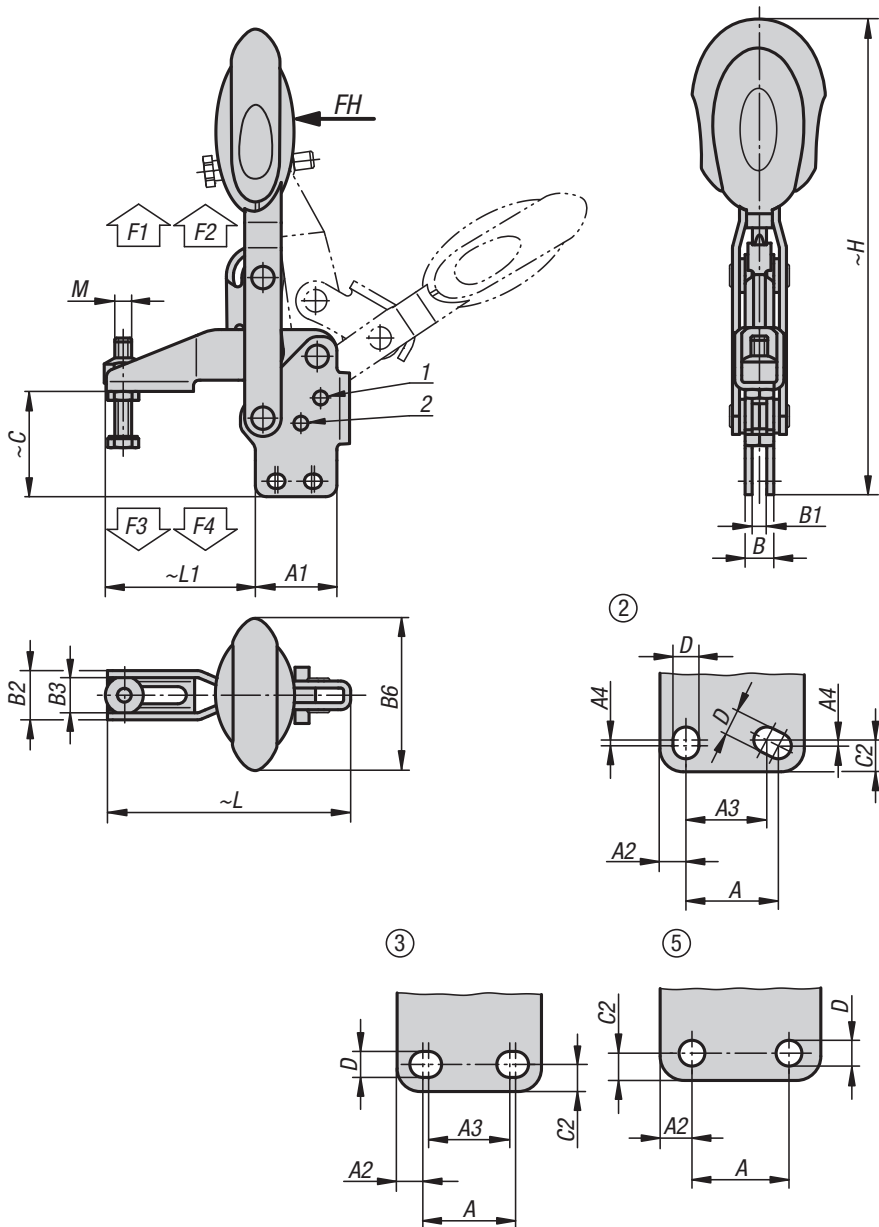
with straight foot and adjustable clamping spindle



METRIC  
Parts

Expanded Line

KIPlock<sup>+</sup>



**Material:**

Steel.  
Grip polyamide.  
Unlocking bracket TPE.

**Type:**

Carbonitrided and black oxidized.  
Grip element blue, black or red.

**Part Number Example:**

K0663.006101 (blue grip)

**Order information:**

Δ Enter the desired grip color here.

**Note:**

Maintenance-free high quality link bushings.  
Sustainable constant force during opening and closing. Optimum stability through the conical, U-profile clamping arm. Includes internal bar lock with automatic safety catch.

**On request:**

Other grip colors.

**Accessories:**

- K0106
- K0383
- K0388
- K0390
- K0391
- K0392
- K0393

**Drawing reference:**

- 1) Stop pin Position 1
- 2) Stop pin Position 2

## Vertical Toggle Clamps with Safety Interlock

with straight foot and adjustable clamping spindle



### KIPP Vertical Toggle Clamps with Safety Interlock with straight foot and adjustable clamping spindle, metric

Item No.	Opening angle of holding arm position 1	Opening angle of holding arm position 2	Opening angle of holding arm stop pin removed	Opening angle of handle position 1	Opening angle of handle position 2	Hand force FH N	Retaining force F1 N	Holding force F2 N	Clamping force F3 N	Clamping force F4 N
K0663.00610Δ	56°	83°	141°	46°	56°	160	1350	1650	920	1050
K0663.00810Δ	13°	93°	158°	26°	61°	190	2000	2800	940	1350
K0663.01010Δ	6°	97°	176°	19°	59°	250	2500	4500	1500	2800
K0663.01210Δ	11°	88°	164°	24°	60°	280	3000	5500	1400	2800

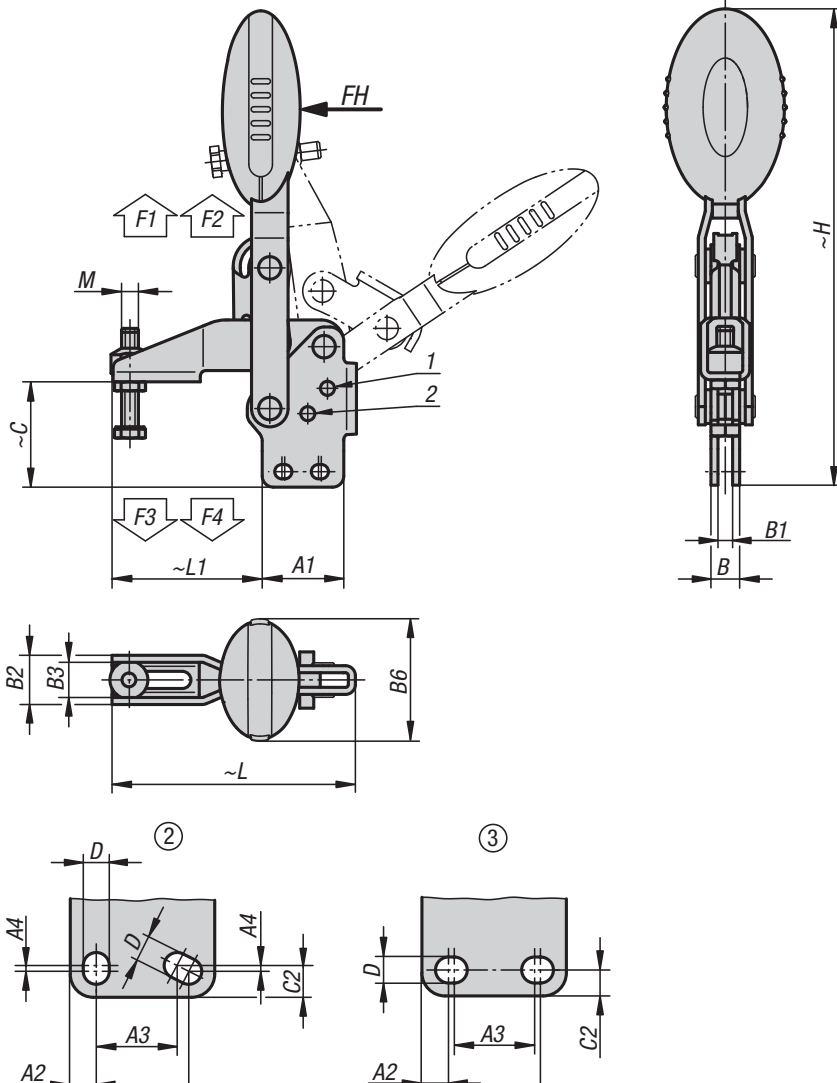
Item No.	hole arrangement	M	A	A1	A2	A3	A4	B	B1	B2	B3	B6	C	C2	D	H	L	L1
K0663.00610Δ	3	M6x35	14	29	7	12	-	10,2	5,2	17,5	12,5	53,4	37,6	5,5	5,5	175,7	86,5	53
K0663.00810Δ	3	M8x45	21	39	9	19	-	10,2	5,2	20,6	15,6	51,1	49	6,5	6,8	207,6	107	62
K0663.01010Δ	2	M10x55	32	50	8	27	3,5	14,1	7,1	25,5	18,5	56,5	62,3	13	9	254	153	95
K0663.01210Δ	5	M12x70	32	53	10,5	-	-	14,1	7,1	28	21	56,5	69,8	9	8,8	272,1	173,5	113,5

## Vertical Toggle Clamps

with straight foot and adjustable clamping spindle, stainless steel



### KIPlock



**Material:**

Stainless steel.  
Grip polyamide.

**Type:**

Bright.  
Handle element blue, black or red.

**Part Number Example:**

K0663.105001  
(blue grip)

**Order information:**

Δ Enter the desired grip color here.

**Note:**

Maintenance-free high quality link bushings.  
Sustainable constant use of force during opening and closing. Optimum stability through the conical, U-profile clamping arm.

**On request:**

Other grip colors.

**Accessories:**

K0106  
K0384  
K0390  
K0392  
K0667

**Drawing reference:**

- 1) Stop pin Position 1
- 2) Stop pin Position 2

# Vertical Toggle Clamps

with straight foot and adjustable clamping spindle, stainless steel



## KIPP Vertical Toggle Clamps with straight foot and adjustable clamping spindle, stainless steel, metric

Item No.	Opening angle of holding arm position 1	Opening angle of holding arm position 2	Opening angle of holding arm stop pin removed	Opening angle of handle position 1	Opening angle of handle position 2	Hand force FH N	Retaining force F1 N	Holding force F2 N	Clamping force F3 N	Clamping force F4 N
<b>K0663.10500Δ</b>	100°	-	129°	64°	-	100	750	1050	620	750
<b>K0663.10600Δ</b>	56°	83°	141°	46°	56°	160	1350	1650	920	1050
<b>K0663.10800Δ</b>	13°	93°	158°	26°	61°	190	2000	2800	940	1350

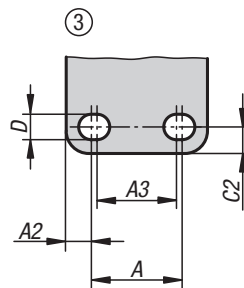
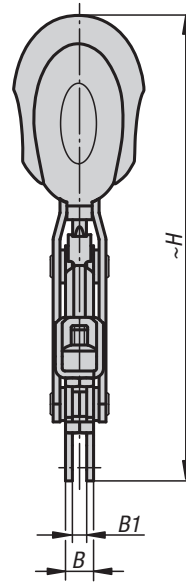
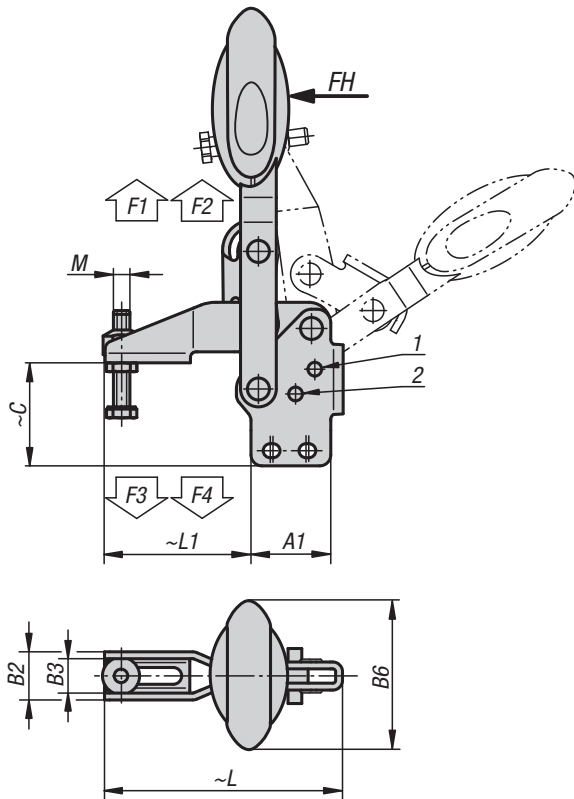
Item No.	hole arrangement	M	A	A1	A2	A3	A4	B	B1	B2	B3	B6	C	C2	D	H	L	L1
<b>K0663.10500Δ</b>	2	M5x25	16	25	4,5	14	1	8,1	4,1	13,2	9,2	22,5	29,8	5,5	4,5	119,2	65,6	35
<b>K0663.10600Δ</b>	3	M6x35	14	29	7	12	-	10,2	5,2	17,5	12,5	43,5	37,6	5,5	5,5	169	86,5	53
<b>K0663.10800Δ</b>	3	M8x45	21	39	9	19	-	10,2	5,2	20,6	15,6	41,5	49	6,5	6,8	200,4	107	62

## Vertical Toggle Clamps with Safety Interlock

with straight foot and adjustable clamping spindle, stainless steel



**KIPPLock<sup>+</sup>**



**Material:**

Stainless steel.  
Grip polyamide.  
Unlocking bracket TPE.

**Type:**

Bright.  
Handle element blue, black or red.

**Part Number Example:**

K0663.106101  
(blue grip)

**Order information:**

Δ Enter the desired grip color here.

**Note:**

Maintenance-free high quality link bushings.  
Sustainable constant force during opening and closing. Optimum stability through the conical, U-profile clamping arm. Includes internal bar lock with automatic safety catch.

**On request:**

Other grip colors.

**Accessories:**

K0106  
K0384  
K0390  
K0392  
K0667

**Drawing reference:**

1) Stop pin Position 1  
2) Stop pin Position 2

# Vertical Toggle Clamps with Safety Interlock

with straight foot and adjustable clamping spindle, stainless steel



## KIPP Vertical Toggle Clamps with Safety Interlock, straight foot and adjustable clamping spindle, stainless steel, metric

Item No.	Opening angle of holding arm position 1	Opening angle of holding arm position 2	Opening angle of holding arm stop pin removed	Opening angle of handle position 1	Opening angle of handle position 2	Hand force FH N	Retaining force F1 N	Holding force F2 N	Clamping force F3 N	Clamping force F4 N
<b>K0663.10610Δ</b>	56°	83°	141°	46°	56°	160	1350	1650	920	1050
<b>K0663.10810Δ</b>	13°	93°	158°	26°	61°	190	2000	2800	940	1350

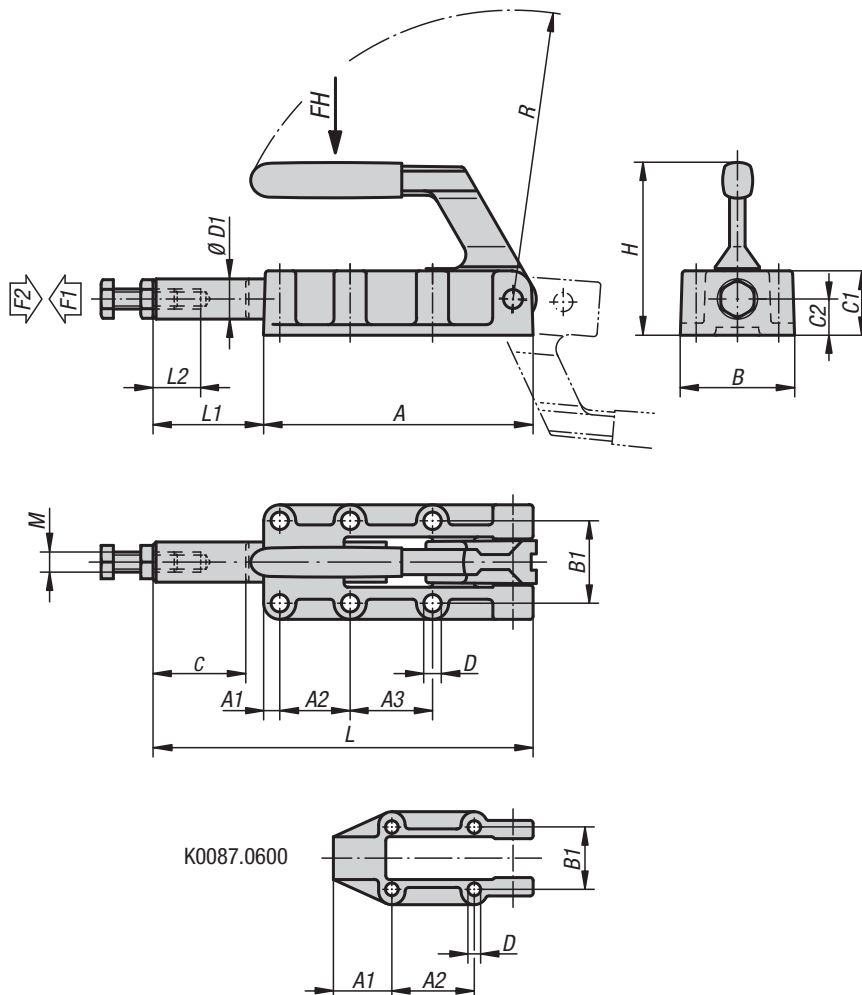
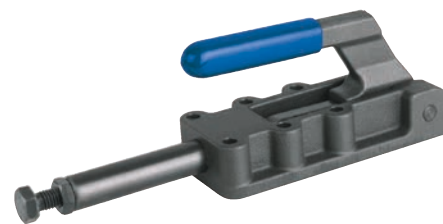
Item No.	hole arrangement	M	A	A1	A2	A3	B	B1	B2	B3	B6	C	C2	D	H	L	L1
<b>K0663.10610Δ</b>	3	M6x35	14	29	7	12	10,2	5,2	17,5	12,5	53,4	37,6	5,5	5,5	175,7	86,5	53
<b>K0663.10810Δ</b>	3	M8x45	21	39	9	19	10,2	5,2	20,6	15,6	51,1	49	6,5	6,8	207,6	107	62

## Push-Pull Clamps

heavy-duty version with handle



METRIC  
Parts



**Material:**

Steel.  
Body and handle ductile iron (SG iron)

**Type:**

Phosphated.  
Plastic handle oil-resistant.

**Part Number Example:**

K0087.2500

**Note:**

Push-Pull Clamps lock in the open and closed handle positions, so they can be used for thrust or traction clamping.  
These clamps also have travel limitation for advance and retraction.

**Accessories:**

- K0101
- K0102
- K0103
- K0106

### KIPP Push-Pull Clamps heavy-duty version with handle, metric

Item No.	Component color	Opening angle of handle	Hand force FH N	Holding force F2 N	Clamping force F1 N
K0087.0600	Blue	185°	140	6000	3000
K0087.1200	Blue	185°	150	12000	5000
K0087.2500	Blue	185°	170	25000	5000
K0087.5000	Blue	185°	200	50000	7000

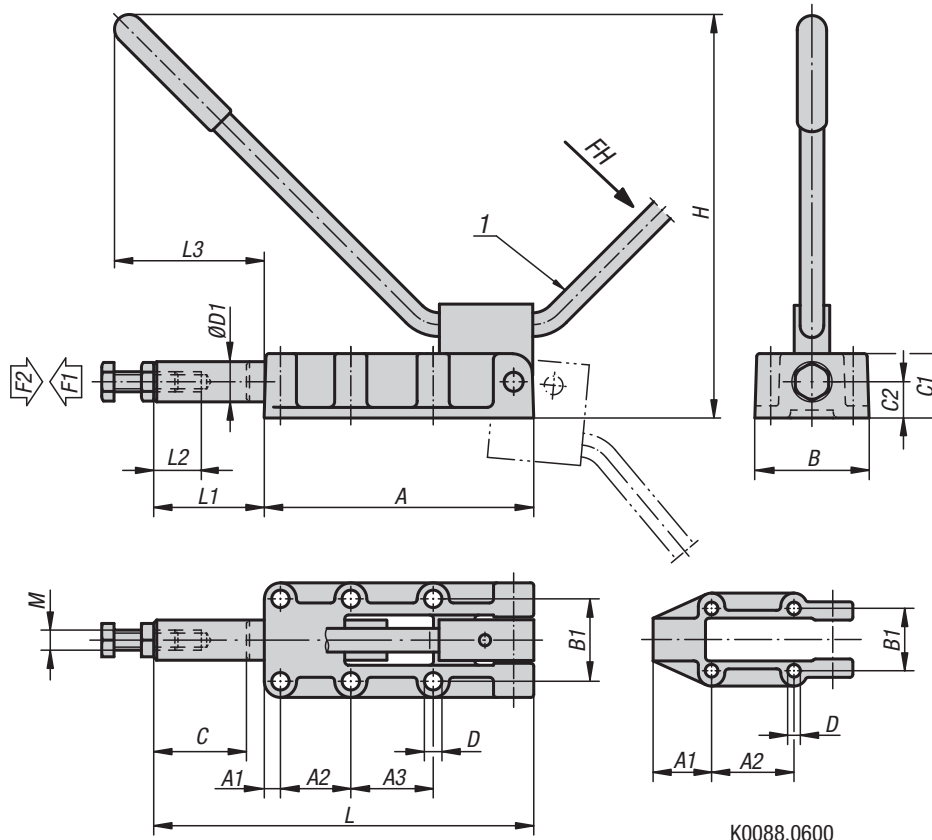
Item No.	Component color	A	A1	A2	A3	B	B1	C1	C2	D	D1	H	L	L1	L2	M	R	C (travel)
K0087.0600	Blue	89	25	36,5	-	46	33,4	23	12	5,5	14	63	127	38	30	M8	95	32
K0087.1200	Blue	133	8	35	41	61	41	32	18	8,5	20	88	188	55	40	M10	143	50
K0087.2500	Blue	197	11	45	45	82	54	41	22	10,3	25	108	300	103	60	M12	200	75
K0087.5000	Blue	254	10	70	70	85	57	50	28	10,3	30	127	390	136	60	M16	245	100



## Push-Pull Clamps

heavy-duty version with reversible hand lever

METRIC  
Parts



K0088.0600

**Material:**

Steel.  
Body ductile iron (SG iron)

**Type:**

Phosphated.  
Lever trivalent passivated.  
Plastic grip oil-resistant.

**Part Number Example:**

K0088.0600

**Note:**

Push-Pull Clamps lock in the open and closed handle positions, so they can be used for thrust or traction clamping. These clamps also have travel limitation for advance and retraction.

**Accessories:**

- K0099
- K0101
- K0102
- K0103
- K0106

**Drawing reference:**

1) handle can be mounted right or left

### KIPP Push-Pull Clamps heavy-duty version with reversible hand lever, metric

Item No.	Component color	A	A1	A2	A3	B	B1	C1	C2	D	D1	H	L	L1	L2	L3	M	C (travel)
K0088.0600	Blue	89	25	36,5	-	46	33,4	23	12	5,5	14	127	127	38	30	65	M8	32
K0088.1200	Blue	133	8	35	41	61	41	32	18	8,5	20	196	188	55	40	106	M10	50
K0088.2500	Blue	197	11	45	45	82	54	41	22	10,3	25	270	300	103	60	125	M12	75
K0088.5000	Blue	254	10	70	70	85	57	50	28	10,3	30	360	390	136	60	155	M16	100

Item No.	Component color	Opening angle of handle	Hand force FH N	Holding force F2 N	Clamping force F1 N
K0088.0600	Blue	185°	140	6000	5800
K0088.1200	Blue	185°	150	12000	9300
K0088.2500	Blue	185°	170	25000	11000
K0088.5000	Blue	185°	200	50000	12100

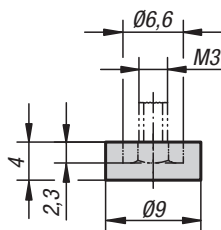
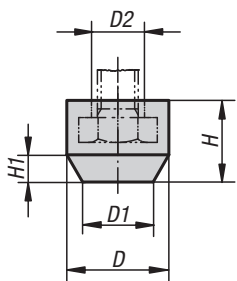
## Protective caps



METRIC  
Parts

K0106.01 - K0106.05  
K0106.07

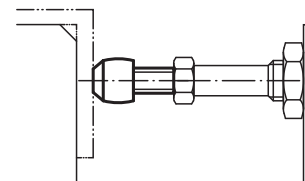
K0106.06



**Material:**  
K0106.06 is polyamide, all other caps are oil-resistant rubber.

**Type:**  
Rubber black.  
Polyamide white.

**Part Number Example:**  
K0106.03



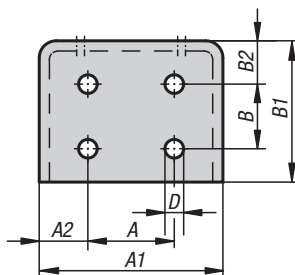
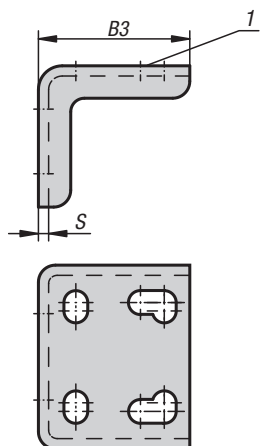
### KIPP Protective caps, metric

Item No.	D	D1	D2	H	H1	for screws
K0106.06	-	-	-	-	-	M3
K0106.01	11	7	5,5	8,5	4	M4
K0106.02	12,5	8	6,8	10	4	M5
K0106.03	15	10	8,5	12	4	M6
K0106.04	19	13	11,3	15	6	M8
K0106.07	23	15	14,5	18	7	M10
K0106.05	26	19	16,5	20	7	M12

# K0098

## Angle Brackets

METRIC  
Parts



**Material:**  
Steel.

**Type:**  
Trivalent passivated.

**Part Number Example:**  
K0098.02

**Note:**  
Angle Brackets enable flat foot toggle clamps to be attached upright to a vertical face.

**Drawing reference:**  
1) mount clamp on this face

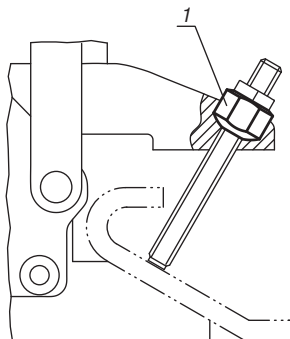
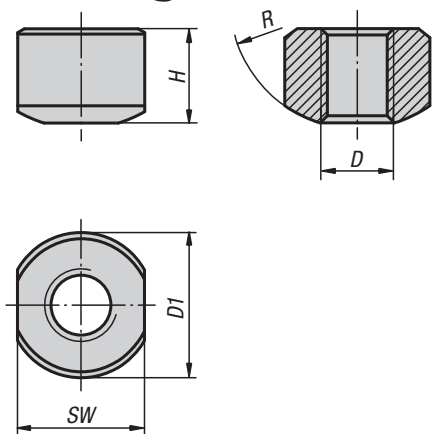
### KIPP Angle Brackets, metric

Item No.	A	A1	A2	B	B1	B2	B3	D	S
K0098.02	18	43	12,5	15	36,5	13,5	29,5	5	2
K0098.04	25,4	54	14,2	19	41,5	12,7	44,5	5,5	3
K0098.06	44	76	16	32	62	21	66	8,6	4

## Spherical Seating Nuts



METRIC  
Parts



**Material:**  
Steel.

**Type:**  
Black oxide finish.

**Part Number Example:**  
K0664.04

**Drawing reference:**  
1) Weldable

### KIPP Spherical Seating Nuts, metric

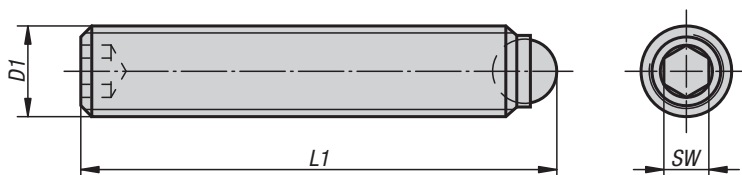
Item No.	Main material	D	H	D1	SW	R
K0664.04	steel	M4	5,2	8	7	7
K0664.05	steel	M5	6,7	10	9	9
K0664.06	steel	M6	9,5	13,5	12,2	10
K0664.08	steel	M8	12,8	18	15,3	12
K0664.10	steel	M10	12,1	20	18,2	14
K0664.12	steel	M12	14,8	23	20	16

# K0383

## Ball-end Thrust Screws

without head, with full ball

METRIC  
Parts



**Material:**  
Screw high-carbon steel, quality class 10.9.  
Ball, ball-bearing steel.

**Type:**  
Screw black.  
Ball hardened and bright.

**Part Number Example:**  
K0383.10650

### KIPP Ball-end Thrust Screws without head, with full ball, metric

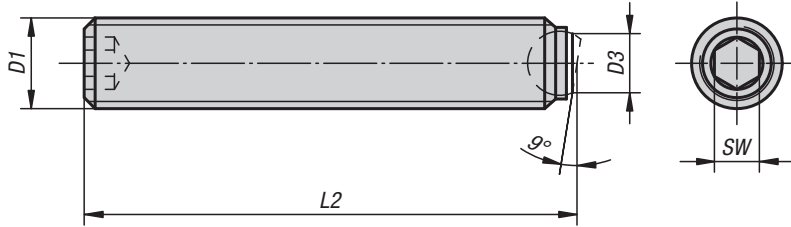
Item No.	D1	L1	Ball Ø	SW	Load rating max. kN (static load only)
K0383.10650	M6	50,8	4	3	9
K0383.10660	M6	60,8	4	3	9
K0383.10850	M8	51,2	5,5	4	15
K0383.10860	M8	61,2	5,5	4	15
K0383.10880	M8	81,2	5,5	4	15

## Ball-end Thrust Screws

without head, with flattened ball



METRIC  
Parts



**Material:**

Screw high-carbon steel, quality class 10.9.  
Ball, ball-bearing steel.

**Type:**

Screw black.  
Ball hardened and bright.

**Part Number Example:**

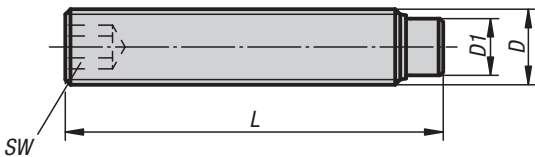
K0383.20650

### KIPP Ball-end Thrust Screws without head, with flattened ball, metric

Item No.	D1	L2	D3	Ball Ø	SW	Load rating max. kN (static load only)
K0383.20650	M6	50,1	3	4	3	9
K0383.20660	M6	60,1	3	4	3	9
K0383.20850	M8	50,3	4,1	5,5	4	15
K0383.20860	M8	60,3	4,1	5,5	4	15
K0383.20880	M8	80,3	4,1	5,5	4	15

## Thrust Screws

METRIC  
Parts



**Material:**

Screw steel quality class 10.9.  
Thrust pin brass or polyacetal.

**Type:**

Screw black oxide finish.

**Part Number Example:**

K0389.04X305  
(include length L)

**Note:**

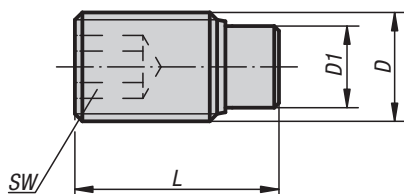
The pin is pressed into the screw. Thrust Screws are particularly suitable for locking threaded spindles, axles, shafts and treated surfaces without marring.

### KIPP Thrust Screws, metric

Item No. brass	D	D1	SW	L
K0389.04X	M4	2,5	2	30,5/40,5
K0389.05X	M5	3	2,5	30,5/40,5
K0389.06X	M6	4	3	41,5/51,5/61,5
K0389.08X	M8	5,5	4	52/62/82
K0389.10X	M10	7	5	52/62/82
K0389.12X	M12	8,5	6	52,5/62,5/82,5

Item No. polyacetal	D	D1	SW	L
K0389.104X	M4	2	2	31/41
K0389.105X	M5	3	2,5	31/41
K0389.106X	M6	3,5	3	41,3/51,3/61,3
K0389.108X	M8	5	4	51,6/61,6/81,6
K0389.110X	M10	6,5	5	51,9/61,9/81,9
K0389.112X	M12	8	6	52,1/62,1/82,1

## Thrust Screws stainless steel

**Material:**

Screw stainless steel.  
Pin brass or polyacetal.

**Type:**

Screw bright.

**Part Number Example:**

K0667.041X105 (include length L)

**Note:**

Thrust screws are ideal for clamping or exerting pressure on threaded spindles, axles, shafts and treated surfaces without marring.

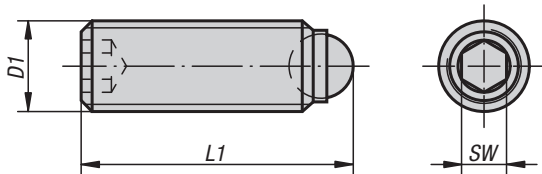
## KIPP Thrust Screws, stainless steel, metric

Item No.	Component material	D	D1	L	SW
K0667.041X	brass	M4	2,5	6,5/10,5/16,5/30,5/40,5	2
K0667.051X	brass	M5	3	8,5/12,5/20,5/30,5/40,5	2,5
K0667.061X	brass	M6	4	11,5/13,5/17,5/21,5/26,5/41,5/51,5/61,5	3
K0667.081X	brass	M8	5,5	12/22/32/52/62/82	4
K0667.101X	brass	M10	7	14/18/27/37	5
K0667.121X	brass	M12	8,5	22,5/32,5/42,5	6

Item No.	Component material	D	D1	L	SW
K0667.1041X	polyacetal	M4	2	7/9/11/13/17/31/41	2
K0667.1051X	polyacetal	M5	3	9/11/13/17/21/31/41	2,5
K0667.1061X	polyacetal	M6	3,5	11,3/13,3/17,3/21,3/26,3/41,3/51,3/61,3	3
K0667.1081X	polyacetal	M8	5	13,6/17,6/21,6/26,6/33,6/51,6/61,6/81,6	4
K0667.1101X	polyacetal	M10	6,5	17,9/21,9/26,9/36,9	5
K0667.1121X	polyacetal	M12	8	22,1/32,1/42,1	6

# Ball-end thrust screws without head

stainless steel with full ball



**Material:**

Screw and ball stainless steel.

**Type:**

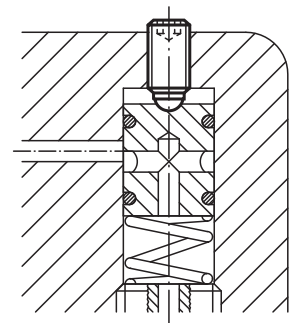
Bright.

**Part Number Example:**

K0384.1046

**Note:**

Ball-End Thrust Screws with full ball are used when a clean, polished contact surface is required. Longer versions have been designed especially to be glued in, enabling mechanical connecting elements with male threads to be made cost-effectively for small and medium-sized production runs.



# Ball-end thrust screws without head

stainless steel with full ball

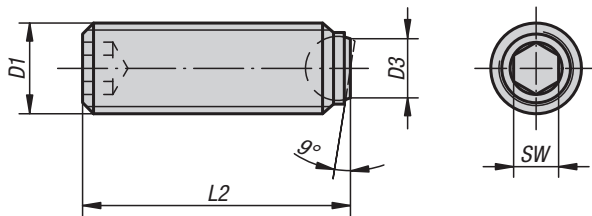


## KIPP Ball-end thrust screws without head, stainless steel, with full ball

Item No.	D1	L1	Ball Ø	SW
K0384.1046	M4	6	2,5	2
K0384.1048	M4	8	2,5	2
K0384.10410	M4	10	2,5	2
K0384.10412	M4	12	2,5	2
K0384.10416	M4	16	2,5	2
K0384.1058	M5	8	3	2,5
K0384.10510	M5	10	3	2,5
K0384.10512	M5	12	3	2,5
K0384.10516	M5	16	3	2,5
K0384.10520	M5	20	3	2,5
K0384.10525	M5	25	3	2,5
K0384.10610	M6	10,8	4	3
K0384.10612	M6	12,8	4	3
K0384.10616	M6	16,8	4	3
K0384.10620	M6	20,8	4	3
K0384.10625	M6	25,8	4	3
K0384.10650	M6	50,8	4	3
K0384.10660	M6	60,8	4	3
K0384.10680	M6	80,8	4	3
K0384.10810	M8	11,2	5,5	4
K0384.10812	M8	13,2	5,5	4
K0384.10816	M8	17,2	5,5	4
K0384.10820	M8	21,2	5,5	4
K0384.10825	M8	26,2	5,5	4
K0384.10830	M8	31,2	5,5	4
K0384.10850	M8	51,2	5,5	4
K0384.10860	M8	61,2	5,5	4
K0384.10880	M8	81,2	5,5	4
K0384.11012	M10	13,7	7	5
K0384.11016	M10	17,7	7	5
K0384.11020	M10	21,7	7	5
K0384.11025	M10	26,7	7	5
K0384.11035	M10	36,7	7	5
K0384.11216	M12	18	8,5	6
K0384.11220	M12	22	8,5	6
K0384.11225	M12	27	8,5	6
K0384.11230	M12	32	8,5	6
K0384.11232	M12	34	8,5	6
K0384.11240	M12	42	8,5	6
K0384.11620	M16	23,3	12	8
K0384.11625	M16	28,3	12	8
K0384.11635	M16	38,3	12	8
K0384.11650	M16	53,3	12	8

# Ball-end thrust screws without head

stainless steel with flattened ball



**Material:**

Screw and ball stainless steel.

**Type:**

Bright.

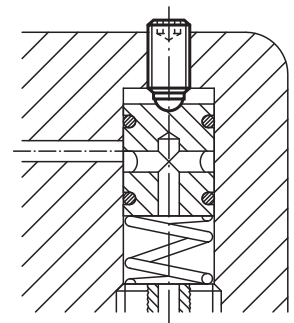
**Part Number Example:**

K0384.2046

**Note:**

Surfaces which are not flat and parallel can be firmly clamped or supported with a flattened ball. The movable ball can adapt itself up to 9°.

Longer versions have been designed especially to be glued in. This enables mechanical connecting elements with male thread to be made cost-effectively for small and medium-sized production runs.





# Ball-end thrust screws without head

stainless steel with flattened ball



## KIPP Ball-end thrust screws without head, stainless steel with flattened ball, metric

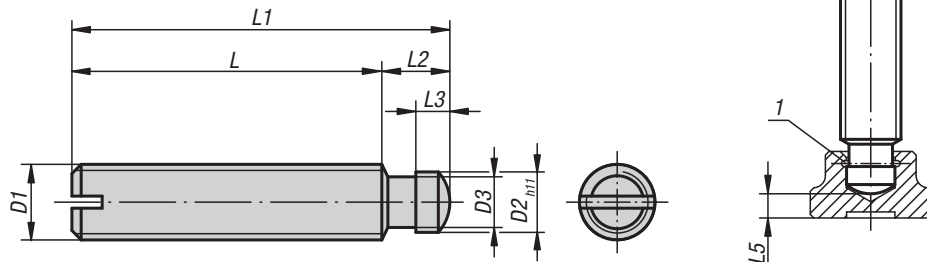
Item No.	D1	D3	L2	Ball Ø	SW
K0384.2046	M4	1,4	5,8	2,5	2
K0384.2048	M4	1,4	7,8	2,5	2
K0384.20410	M4	1,4	9,8	2,5	2
K0384.20412	M4	1,4	11,8	2,5	2
K0384.20416	M4	1,4	15,8	2,5	2
K0384.2058	M5	2	7,6	3	2,5
K0384.20510	M5	2	9,6	3	2,5
K0384.20512	M5	2	11,6	3	2,5
K0384.20516	M5	2	15,6	3	2,5
K0384.20520	M5	2	19,6	3	2,5
K0384.20525	M5	2	24,6	3	2,5
K0384.20610	M6	3	10,1	4	3
K0384.20612	M6	3	12,1	4	3
K0384.20616	M6	3	16,1	4	3
K0384.20620	M6	3	20,1	4	3
K0384.20625	M6	3	25,1	4	3
K0384.20650	M6	3	50,1	4	3
K0384.20660	M6	3	60,1	4	3
K0384.20680	M6	3	80,1	4	3
K0384.20810	M8	4,1	10,3	5,5	4
K0384.20812	M8	4,1	12,3	5,5	4
K0384.20816	M8	4,1	16,3	5,5	4
K0384.20820	M8	4,1	20,3	5,5	4
K0384.20825	M8	4,1	25,3	5,5	4
K0384.20830	M8	4,1	30,3	5,5	4
K0384.20850	M8	4,1	50,3	5,5	4
K0384.20860	M8	4,1	60,3	5,5	4
K0384.20880	M8	4,1	80,3	5,5	4
K0384.21012	M10	5,6	12,3	7	5
K0384.21016	M10	5,6	16,3	7	5
K0384.21020	M10	5,6	20,3	7	5
K0384.21025	M10	5,6	25,3	7	5
K0384.21035	M10	5,6	35,3	7	5
K0384.21216	M12	7	16,2	8,5	6
K0384.21220	M12	7	20,2	8,5	6
K0384.21230	M12	7	30,2	8,5	6
K0384.21240	M12	7	40,2	8,5	6
K0384.21620	M16	10,7	20	12	8
K0384.21625	M16	10,7	25	12	8
K0384.21635	M16	10,7	35	12	8
K0384.21650	M16	10,7	50	12	8

## Grub Screws

with thrust point to DIN 6332



METRIC  
Parts



**Material:**  
Steel or stainless steel.

**Type:**  
Steel, thrust point case-hardened, black.  
Stainless steel, bright.

**Part Number Example:**  
K0390.12X60  
(include length L1)

**Note:**  
The thrust point of the DIN 6332 Grub Screws can be used for direct clamping or in conjunction with the Thrust Pads K0392.

**Drawing reference:**  
1) snap ring

### KIPP Grub Screws with thrust point to DIN 6332, metric

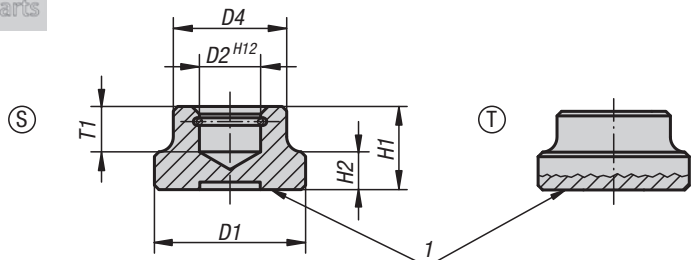
Item No. steel	Item No. stainless steel	D1	L1	D2	D3	L	L2	L3	L5
K0390.06X	K0390.061X	M6	30/35/40/50	4,5	4	24	6	2,5	2,2
K0390.08X	K0390.081X	M8	35/40/45/50/60	6	5,4	27,5	7,5	3	3
K0390.10X	K0390.101X	M10	50/55/60/65/80	8	7,2	41	9	4,5	3,6
K0390.12X	K0390.121X	M12	60/65/70/80/100	8	7,2	50	10	4,5	4,5

# K0392

## Thrust Pads

DIN 6311 expanded

METRIC  
Parts



**Material:**  
Case-hardened steel.  
Snap ring steel spring wire.

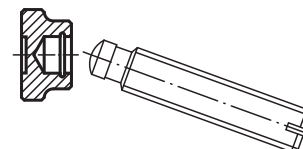
**Type:**  
Black oxide finish.

**Part Number Example:**  
K0392.12

**Note:**  
To press onto a thrust point, incline the point as far as possible over the snap ring opening and twist in. The snap ring is supplied assembled.

**Drawing reference:**  
Style S: standard thrust pad  
Style T: low version, large thrust face

1) thrust face



### KIPP Thrust Pads DIN 6311 expanded, metric

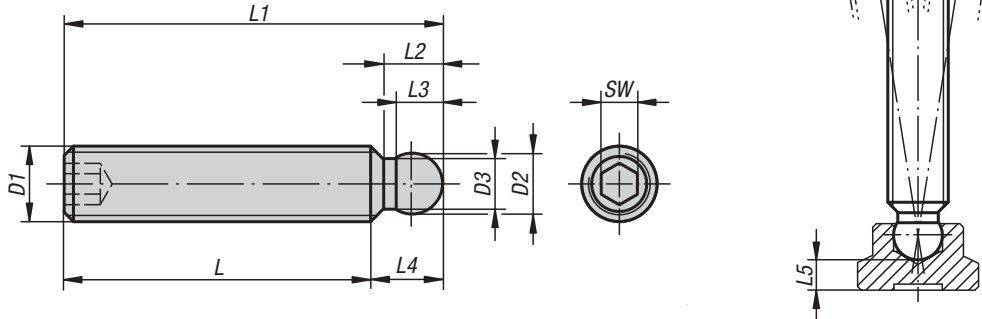
Item No.	Style	D1	D2	D4	H1	H2	T1	For grub screws with thrust point DIN 6332
K0392.06	S	12	4,6	10	7	2,5	4	M6
K0392.08	S	16	6,1	12	9	4	5	M8
K0392.10	S	20	8,1	15	11	5	6	M10
K0392.12	S	25	8,1	18	13	7	7	M12
K0392.16	S	32	12,1	22	15	7	7,5	M16
K0392.20	S	40	15,6	28	16	9	8	M20
K0392.108	T	25	6,1	12	8	4	4,5	M8
K0392.110	T	32	8,1	18	10	6	6	M10 / M12
K0392.116	T	40	12,1	22	12	7	7	M16

## Grub Screws

with ball thrust point



METRIC  
Parts



**Material:**  
Steel quality class 5.8.

**Type:**  
Black oxide finish.

**Part Number Example:**  
K0391.06X50  
(include length L1)

**Note:**  
These Grub Screws are used in conjunction with Thrust Pads K0393.

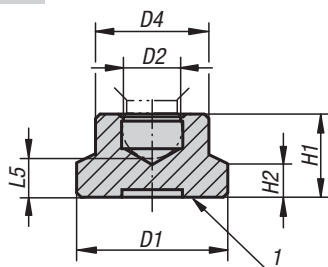
### KIPP Grub Screws with ball thrust point, metric

Item No.	D1	L1	D2	D3	L	L2	L3	L4	L5	SW
K0391.06X	M6	30/35/40/50	4,5	3,5	24,5	4,3	3,7	5,5	3,8	3
K0391.08X	M8	35/40/45/50/60	6	4,8	27,6	5,8	4,8	7,4	4,4	4
K0391.10X	M10	50/55/60/65/80	8	6,5	41	7,2	6,3	9	5	5
K0391.12X	M12	60/65/70/80	8	6,5	50,2	7,2	6,3	9,8	6,9	6

# K0393

## Thrust Pads

METRIC  
Parts



**Material:**  
Steel.  
Polyamide PA 6.

**Type:**  
Black oxide finish.  
Black polyamide.

**Part Number Example:**  
K0393.08

**Drawing reference:**  
1) thrust face

### KIPP Thrust Pads, metric

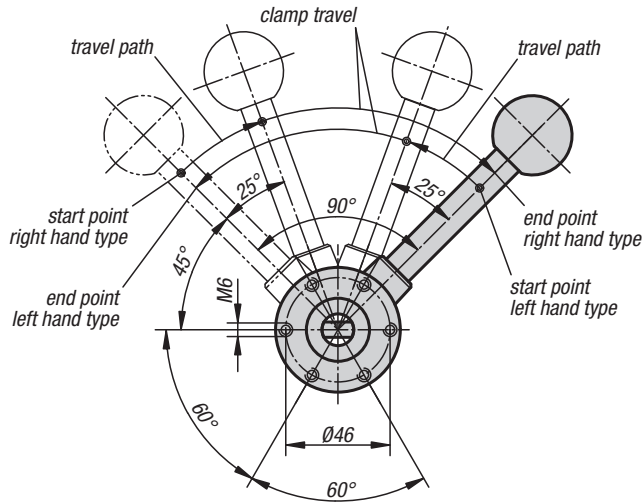
Item No.	Style	Main material	D1	D2	D4	H1	H2	L5	Suitable for Grub Screws
K0393.06	A	steel	15	4,4	8,6	7,6	2,5	3,8	M6
K0393.08	A	steel	18	5,9	12	9	3,5	4,4	M8
K0393.10	A	steel	21	7,9	15	11	4	5	M10
K0393.12	A	steel	25	7,9	18	13	5	6,9	M12
K0393.206	A	polyamide	15	4,4	8,6	7,6	2,5	3,8	M6
K0393.208	B	polyamide	18	5,9	12	9	3,5	4,4	M8
K0393.210	C	polyamide	21	7,9	15	11	4	5	M10
K0393.212	C	polyamide	25	7,9	18	13	5	6,9	M12

# "Actima" Clamping Devices



View from below

METRIC  
Parts



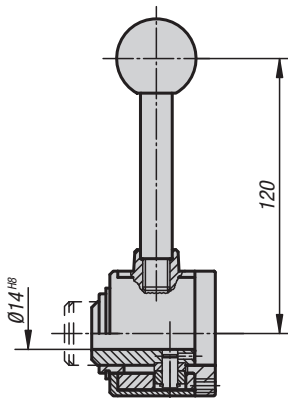
**Material:**  
Steel.  
Housing thermoplastic.  
Ball knob thermoset PF 31.  
Accessories steel.

**Type:**  
Black oxide finish.  
Housing black.  
Ball knob red.  
Accessories black oxide finish.

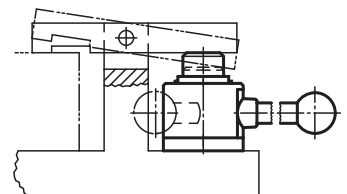
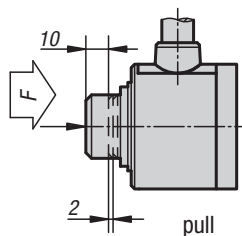
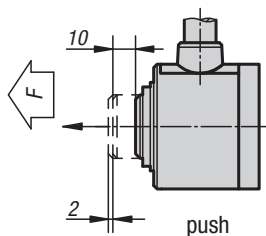
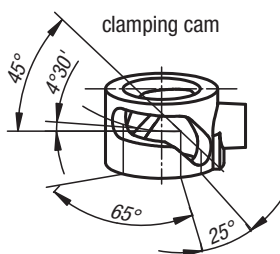
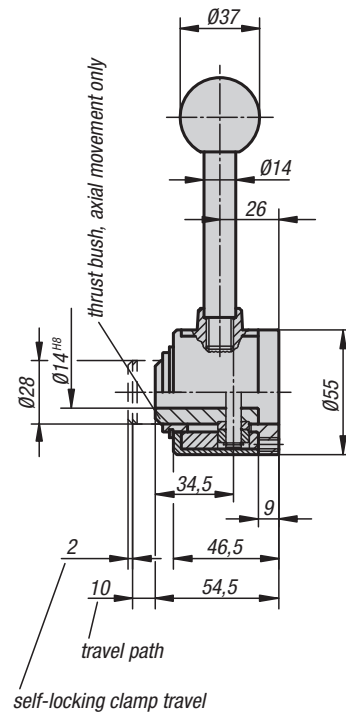
**Part Number Example:**  
K0020.10

**Note:**  
The travel path is 10 mm. Self-locking occurs in any position during the final 2 mm of clamp travel, so workpieces with tolerances of up to 1.5 mm can be safely clamped. The Actima Clamping Device can be mounted in any horizontal or vertical position. Standard parts enable further applications and are available as optional accessories. All parts of the cam system subject to heavy loads are case-hardened (thrust sleeve and accessories only if specified). The maximum permissible clamping force is approximately 4905 N.

drilled through



with transverse axis in bore



**KIPP “Actima” Clamping Device with transverse axis in the hole, metric**

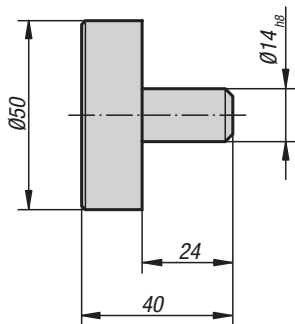
Item No.	Version
K0020.10	right-hand / thrust
K0020.15	right-hand / pull
K0020.20	left-hand / thrust
K0020.25	left-hand / pull

**KIPP “Actima” Clamping Device with through hole, metric**

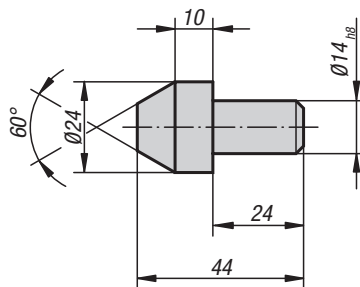
Item No.	Version
K0020.30	right-hand / thrust
K0020.35	right-hand / pull
K0020.40	left-hand / thrust
K0020.45	left-hand / pull

**KIPP “Actima” Accessories, metric**

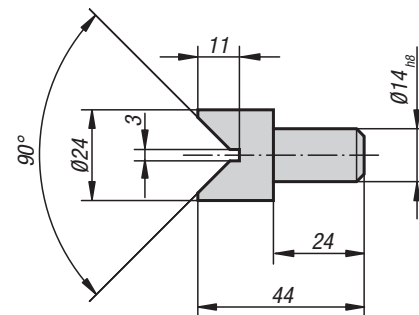
Item No.	Item
K0020.02	Plate
K0020.03	Cone
K0020.04	Prism



Plate



Cone



Prism

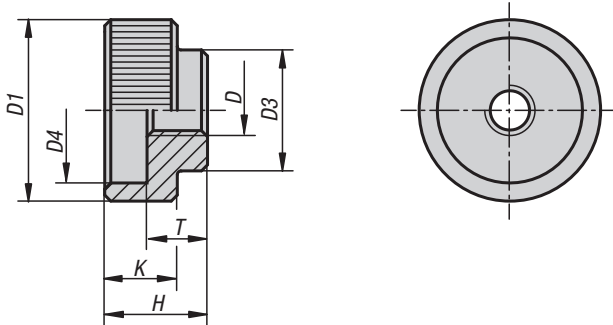
## Knurled Nuts

steel or stainless steel, DIN 6303



INCH Parts METRIC Parts

Expanded Line



**Material:**

Steel 1.0718.  
Stainless steel 1.4305  
(AISI 303 equivalent).

**Type:**

Steel, black oxide finish.  
Stainless steel, bright.

**Part Number Example:**

K0137.1A02

**Note:**

For the inch series, dimension D is in inches, all other dimensions are in mm.

### KIPP Knurled Nuts, steel or stainless steel, DIN 6303, inch

Item No.	Main material	D	D1	D3	D4	H	K	T
K0137.1A0	free-cutting steel	10-24	20	14	15	12	8	5
K0137.1A1	free-cutting steel	10-32	24	16	18	14	10	6
K0137.1A2	free-cutting steel	1/4-20	24	16	18	14	10	6
K0137.1A3	free-cutting steel	5/16-18	30	20	24	17	12	7
K0137.1A4	free-cutting steel	3/8-16	36	28	30	20	14	8
K0137.1A5	free-cutting steel	1/2-13	40	32	34	24	16	10
K0137.1A02	stainless steel	10-24	20	14	15	12	8	7
K0137.1A12	stainless steel	10-32	20	14	15	12	8	5
K0137.1A22	stainless steel	1/4-20	24	16	18	14	10	8
K0137.1A32	stainless steel	5/16-18	30	20	24	17	12	10
K0137.1A42	stainless steel	3/8-16	36	28	30	20	14	12
K0137.1A52	stainless steel	1/2-13	40	32	34	24	16	14

### KIPP Knurled Nuts, steel or stainless steel, DIN 6303, metric

Item No.	Main material	D	D1	D3	D4	H	K	T
K0137.105	free-cutting steel	M5	20	14	15	12	8	7
K0137.106	free-cutting steel	M6	24	16	18	14	10	8
K0137.108	free-cutting steel	M8	30	20	24	17	12	10
K0137.110	free-cutting steel	M10	36	28	30	20	14	12
K0137.112	free-cutting steel	M12	40	32	34	24	16	14
K0137.1052	stainless steel	M5	20	14	15	12	8	7
K0137.1062	stainless steel	M6	24	16	18	14	10	8
K0137.1082	stainless steel	M8	30	20	24	17	12	10
K0137.1102	stainless steel	M10	36	28	30	20	14	12
K0137.1122	stainless steel	M12	40	32	34	24	16	14

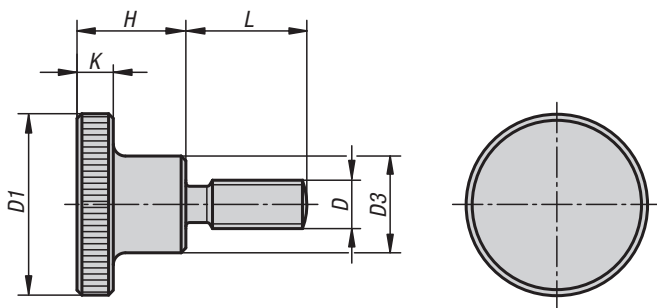
## Knurled Thumb Screws

in steel or stainless steel, DIN 464



INCH Parts METRIC Parts

Expanded Line



**Material:**

Steel 1.0718.

Stainless steel 1.4305 (AISI 303 equivalent).

**Type:**

Steel, black oxide finish.

Stainless steel, bright.

**Part Number Example:**

K0140.AE2X10

(include length L)

**Note:**

The following thread lengths have no undercut

D = 8-32 / M4 - L20

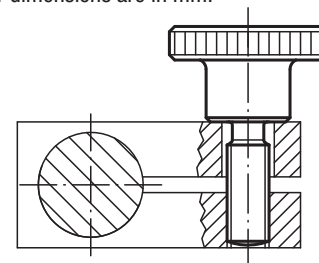
D = 10-24 / M5 - L20

D = 1/4-20 / M6 - L25

D = M8 - L30

D = M10 - L40

For the inch series, dimension D is in inches, all other dimensions are in mm.



### KIPP Knurled Thumb Screws, in steel or stainless steel, DIN 464, inch

Item No. free-cutting steel	Item No. stainless steel	D	D1	D3	H	K	L
K0140.AEX	K0140.AE2X	8-32	16	8	9,5	3,5	10/16/20
K0140.A0X	K0140.A02X	10-24	20	10	12	4	10/16/20/10/16/20
K0140.A2X	K0140.A22X	1/4-20	24	12	15	5	10/16/20/25
K0140.A3X	K0140.A32X	5/16-18	30	16	18	6	16/20/25
K0140.A4X	K0140.A42X	3/8-16	36	20	23	8	20/25

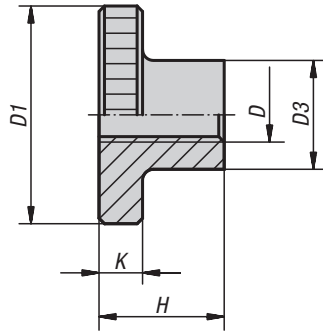
### KIPP Knurled Thumb Screws, steel or stainless steel, DIN 464, metric

Item No. free-cutting steel	Item No. stainless steel	D	D1	D3	H	K	L
K0140.04X	K0140.042X	M4	16	8	9,5	3,5	10/16/20*
K0140.05X	K0140.052X	M5	20	10	11,5	4	10/16/20
K0140.06X	K0140.062X	M6	24	12	15	5	10/16/20/25*
K0140.08X	K0140.082X	M8	30	16	18	6	16/20/25/30*
K0140.10X	K0140.102X	M10	36	20	23	8	20/25/30/40*

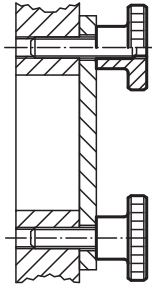
## Knurled Nuts High Style

steel and stainless steel, DIN 466

METRIC  
Parts



New Item



**Material:**  
Steel 1.0718.  
Stainless steel 1.4305  
(AISI 303 equivalent).

**Type:**  
Steel black oxide finish.  
Stainless steel bright.

**Part Number Example:**  
K0143.04

**Note:**  
M12 high knurled nuts are not included  
in the official standards sheet.



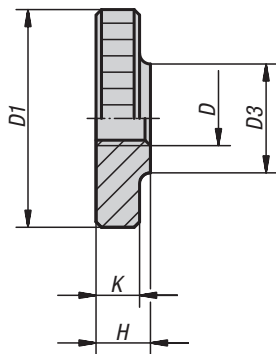
### KIPP Knurled Nuts High Style steel and stainless steel, DIN 466

Item No. free-cutting steel	Item No. stainless steel	D	D1	D3	H	K
K0143.04	K0143.042	M4	16	8	9,5	3,5
K0143.05	K0143.052	M5	20	10	11,5	4
K0143.06	K0143.062	M6	24	12	15	5
K0143.08	K0143.082	M8	30	16	18	6
K0143.10	K0143.102	M10	36	20	23	8
K0143.12	K0143.122	M12	36	20	23	8

## Knurled Nuts Flat

steel and stainless steel, DIN 467

METRIC  
Parts



New Item

**Material:**  
Steel 1.0718.  
Stainless steel 1.4305  
(AISI 303 equivalent).

**Type:**  
Steel black oxide finish.  
Stainless steel bright.

**Part Number Example:**  
K0144.042

**Note:**  
M12 flat knurled nuts are not included  
in the official standards sheet.



### KIPP Knurled Nuts Flat, steel and stainless steel, DIN 467

Item No. free-cutting steel	Item No. stainless steel	D	D1	D3	H	K
K0144.04	K0144.042	M4	16	8	4	3,5
K0144.05	K0144.052	M5	20	10	5	4
K0144.06	K0144.062	M6	24	12	6	5
K0144.08	K0144.082	M8	30	16	8	6
K0144.10	K0144.102	M10	36	20	10	8
K0144.12	K0144.122	M12	36	20	10	8

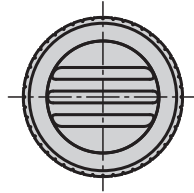
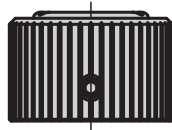
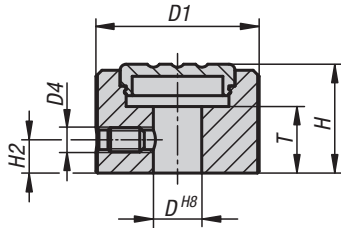


## Knurled Knobs

aluminum

METRIC  
Parts

New Item



**Material:**

Body aluminum.  
Cap thermoplastic PA6.  
Grub screw stainless steel.

**Type:**

Body black anodized.  
Cap light gray RAL 7035.  
Grub screw bright.

**Part Number Example:**

K1099.27085

**On request:**

Other internal threads, colors and special versions at an additional charge.

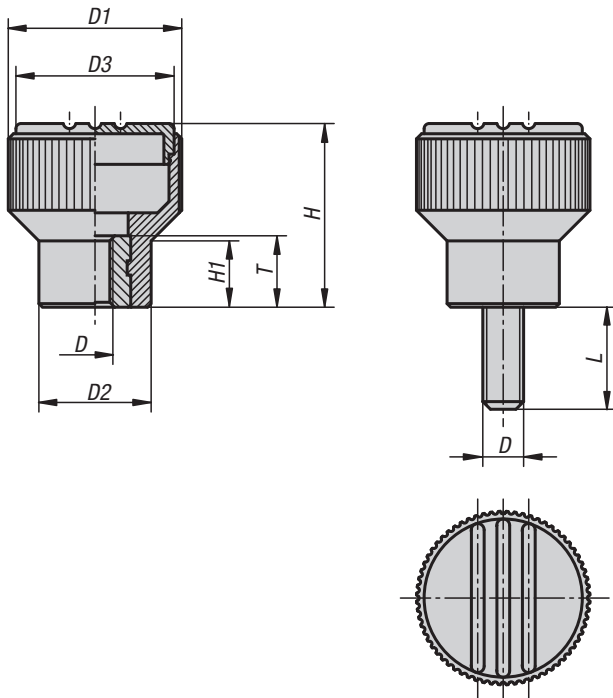
### KIPP Knurled Knobs aluminum

Item No.	D	D1	D4	H	H2	T
K1099.27085	8	27	M4	18	5,5	11
K1099.27105	10	27	M4	18	5,5	11
K1099.34105	10	34	M5	21	7	11
K1099.34125	12	34	M5	21	7	11
K1099.42125	12	42	M5	24,5	8,5	15
K1099.42145	14	42	M5	24,5	8,5	15

## Knurled Knobs



INCH Parts    METRIC Parts



**Material:**

Black thermoplastic.  
Bushing and screw steel quality class 5.8 or stainless steel 1.4305 (AISI 303 equivalent).

**Type:**

Lower part of grip black.  
Steel trivalent blue passivated, stainless steel bright.





**Part Number Example:**

K0247.1A16X20  
(Cap color traffic red. Include length L)

Δ Add the desired cap color here.  
No color code is required for black gray caps.

**Note:**

For the inch series, dimension D is in inches, all other dimensions are in mm.

black gray	light gray Δ = 5	traffic red Δ = 6	bright yellow Δ = 7
			
RAL 7021	RAL 7035	RAL 3020	RAL 1021

## Knurled Knobs



## KIPP Knurled Knobs, internal thread, inch

Item No. steel	Item No. stainless steel	D	D1	D2	D3	H	H1	T
K0247.1AEΔ	K0247.01AEΔ	8-32	21	14	19	22	8	10
K0247.1A1Δ	K0247.01A1Δ	10-32	21	14	19	22	8	10
K0247.1A2Δ	K0247.01A2Δ	1/4-20	21	14	19	22	8	10
K0247.2A3Δ	K0247.02A3Δ	5/16-18	26	18	23	26	9,5	14
K0247.3A3Δ	K0247.03A3Δ	5/16-18	34	22	31	36	13	14
K0247.3A4Δ	K0247.03A4Δ	3/8-16	34	22	31	36	13	14

## KIPP Knurled Knobs, external thread, inch

Item No. steel	Item No. stainless steel	D	D1	D2	D3	H	H1	L
K0247.1A1ΔX	K0247.01A1ΔX	10-32	21	14	19	22	8	10/20
K0247.1A2ΔX	K0247.01A2ΔX	1/4-20	21	14	19	22	8	20/30
K0247.2A3ΔX	K0247.02A3ΔX	5/16-18	26	18	23	26	9,5	20/40
K0247.3A4ΔX	K0247.03A4ΔX	3/8-16	34	22	31	36	13	20/40

## KIPP Knurled Knobs, internal thread, metric

Item No. steel	Item No. stainless steel	D	D1	D2	D3	H	H1	T
K0247.104Δ	K0247.0104Δ	M4	21	14	19	22	8	10
K0247.105Δ	K0247.0105Δ	M5	21	14	19	22	8	10
K0247.106Δ	K0247.0106Δ	M6	21	14	19	22	8	10
K0247.208Δ	K0247.0208Δ	M8	26	18	23	26	9,5	14
K0247.308Δ	K0247.0308Δ	M8	34	22	31	36	13	14
K0247.310Δ	K0247.0310Δ	M10	34	22	31	36	13	14

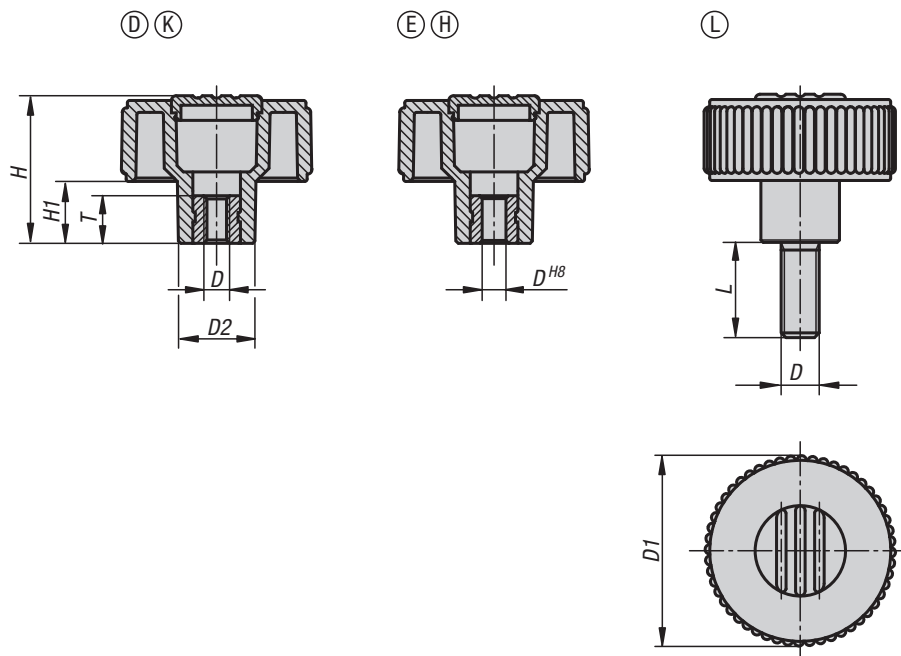
## KIPP Knurled Knobs, external thread, metric

Item No. steel	Item No. stainless steel	D	D1	D2	D3	H	H1	L
K0247.105ΔX	K0247.0105ΔX	M5	21	14	19	22	8	10/12/15/20/25
K0247.106ΔX	K0247.0106ΔX	M6	21	14	19	22	8	15/20/25/30
K0247.208ΔX	K0247.0208ΔX	M8	26	18	23	26	9,5	20/25/30/40
K0247.310ΔX	K0247.0310ΔX	M10	34	22	31	36	13	20/30/40

## Knurled Wheels

internal components steel

INCH  
Parts



**Material:**

Black thermoplastic.  
Bushing and screw steel quality class 5.8.

**Type:**

Steel trivalent blue passivated.

**Part Number Example:**

K0260.41067 (wheel cap color bright yellow)

Δ Add the desired cap color here.

No color code is required for black gray caps.

**Note:**

For the inch series, dimension D is in inches, all other dimensions are in mm.

**Drawing reference:**

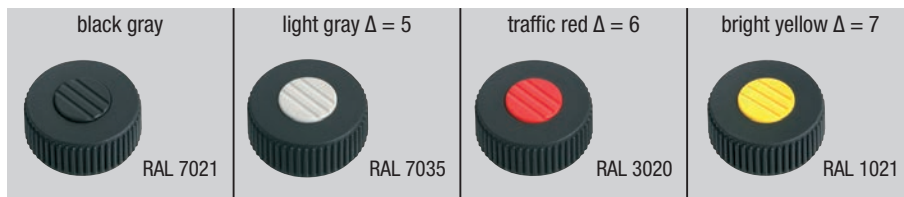
Style D: tapped bushing without cap

Style K: tapped bushing with cap

Style E: reamed bushing without cap

Style H: reamed bushing with cap

Style L: external thread



**KIPP Knurled Wheels, internal thread, inch**

Item No.	Style	D	D1	D2	H	H1	T
K0260.11A1	D	10-32	40	16,5	31	13	10
K0260.11A2	D	1/4-20	40	16,5	31	13	10
K0260.11A3	D	5/16-18	40	16,5	31	13	14
K0260.12A3	D	5/16-18	50	18	36	15	14
K0260.12A4	D	3/8-16	50	18	36	15	14
K0260.13A4	D	3/8-16	63	22	41	17	14
K0260.13A5	D	1/2-13	63	22	41	17	18

# Knurled Wheels

internal components steel



## KIPP Knurled Wheels, internal thread, inch

Item No.	Style	D	D1	D2	H	H1	T
K0260.21A1Δ	K	10-32	40	16,5	31	13	10
K0260.21A2Δ	K	1/4-20	40	16,5	31	13	10
K0260.21A3Δ	K	5/16-18	40	16,5	31	13	14
K0260.22A3Δ	K	5/16-18	50	18	36	15	14
K0260.22A4Δ	K	3/8-16	50	18	36	15	14
K0260.23A4Δ	K	3/8-16	63	22	41	17	14
K0260.23A5Δ	K	1/2-13	63	22	41	17	18

## KIPP Knurled Wheels, with bushing, inch

Item No.	Style	D	D1	D2	H	H1	T
K0260.31CM	E	0,25	40	16,5	31	13	10
K0260.32CN	E	0,312	50	18	36	15	14
K0260.33CO	E	0,375	63	22	41	17	14

## KIPP Knurled Wheels, with bushing, inch

Item No.	Style	Size	D	D1	D2	H	H1	T
K0260.41CMA	H	1	0,25	40	16,5	31	13	10
K0260.42CNA	H	2	0,312	50	18	36	15	14
K0260.43COΔ	H	3	0,375	63	22	41	17	14

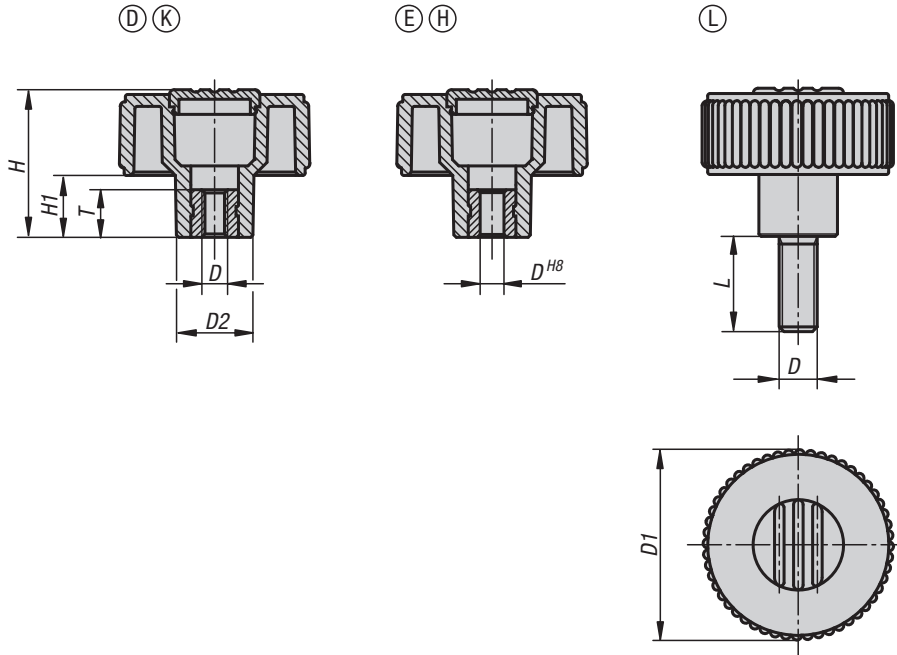
## KIPP Knurled Wheels, external thread, inch

Item No.	Style	Size	D	D1	D2	H	H1	L
K0260.51A1ΔX	L	1	10-32	40	16,5	31	13	10/20
K0260.51A2ΔX	L	1	1/4-20	40	16,5	31	13	20/30
K0260.51A3ΔX	L	1	5/16-18	40	16,5	31	13	20/40
K0260.52A3ΔX	L	2	5/16-18	50	18	36	15	20/40
K0260.52A4ΔX	L	2	3/8-16	50	18	36	15	20/40
K0260.53A4ΔX	L	3	3/8-16	63	22	41	17	20/40
K0260.53A5ΔX	L	3	1/2-13	63	22	41	17	30/60

## Knurled Wheels

internal components steel

METRIC  
Parts



**Material:**

Black thermoplastic.  
Bushing and screw steel quality class 5.8.

**Type:**

Steel trivalent blue passivated.

**Part Number Example:**

K0260.41067 (wheel cap color bright yellow)

Δ Add the desired cap color here.

No color code is required for black-gray caps.

**Drawing reference:**

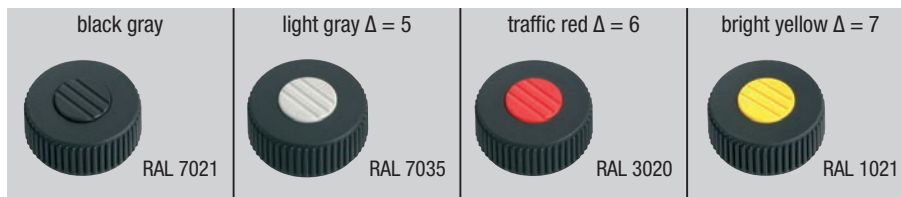
Style D: tapped bushing without cap

Style K: tapped bushing with cap

Style E: reamed bushing without cap

Style H: reamed bushing with cap

Style L: external thread



**KIPP Knurled Wheels, internal thread, metric**

Item No.	Style	D	D1	D2	H	H1	T
K0260.1105	D	M5	40	16,5	30	13	10
K0260.1106	D	M6	40	16,5	30	13	10
K0260.1108	D	M8	40	16,5	30	13	14
K0260.1208	D	M8	50	18	35	15	14
K0260.1210	D	M10	50	18	35	15	14
K0260.1310	D	M10	63	22	40	17	14
K0260.1312	D	M12	63	22	40	17	18

# Knurled Wheels

internal components steel



## KIPP Knurled Wheels, internal thread, metric

Item No.	Style	D	D1	D2	H	H1	T
K0260.2105Δ	K	M5	40	16,5	31	13	10
K0260.2106Δ	K	M6	40	16,5	31	13	10
K0260.2108Δ	K	M8	40	16,5	31	13	14
K0260.2208Δ	K	M8	50	18	36	15	14
K0260.2210Δ	K	M10	50	18	36	15	14
K0260.2310Δ	K	M10	63	22	41	17	14
K0260.2312Δ	K	M12	63	22	41	17	18

## KIPP Knurled Wheels, with bushing, metric

Item No.	Style	D	D1	D2	H	H1	T
K0260.3106	E	6	40	16,5	30	13	10
K0260.3208	E	8	50	18	35	15	14
K0260.3310	E	10	63	22	40	17	14

## KIPP Knurled Wheels, with bushing, metric

Item No.	Style	D	D1	D2	H	H1	T
K0260.4106Δ	H	6	40	16,5	31	13	10
K0260.4208Δ	H	8	50	18	36	15	14
K0260.4310Δ	H	10	63	22	41	17	14

## KIPP Knurled Wheels, external thread, metric

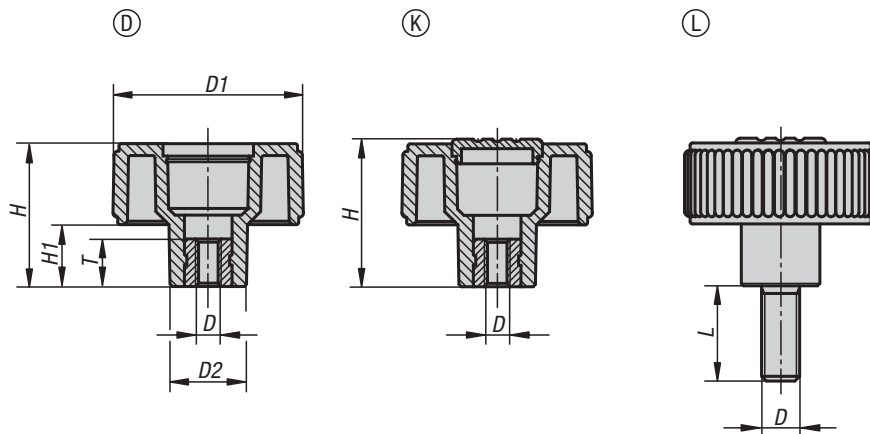
Item No.	Style	D	D1	D2	H	H1	L
K0260.5105ΔX	L	M5	40	16,5	31	13	10/20/40
K0260.5106ΔX	L	M6	40	16,5	31	13	10/20/40
K0260.5108ΔX	L	M8	40	16,5	31	13	15/30/60
K0260.5208ΔX	L	M8	50	18	36	15	15/30/60
K0260.5210ΔX	L	M10	50	18	36	15	20/30/60
K0260.5310ΔX	L	M10	63	22	41	17	20/30/60
K0260.5312ΔX	L	M12	63	22	41	17	30/60

## Knurled Wheels

internal components stainless steel



INCH Parts    METRIC Parts



**Material:**

Black thermoplastic.  
Bushing and screw stainless steel 1.4305 (AISI 303 equivalent).

**Type:**

Stainless steel bright.

**Part Number Example:**

K0261.51056X10  
(cap color traffic red; include length L)

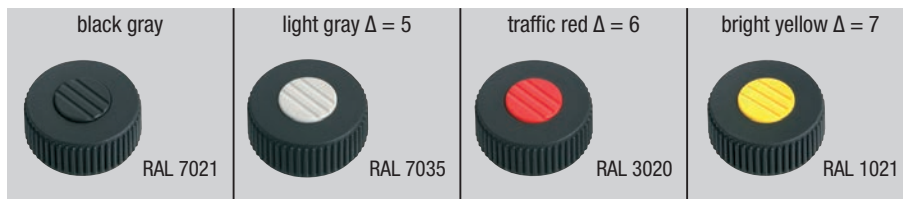
Δ Add the desired cap color here.  
No color code is required for black gray caps.

**Note:**

For the inch series, dimension D is in inches, all other dimensions are in mm.

**Drawing reference:**

Style D: tapped bushing without cap  
Style K: tapped bushing with cap  
Style L: external thread



**KIPP Knurled Wheels, components in stainless steel, internal thread, inch**

Item No.	Style	D	D1	D2	H	H1	T
K0261.11A1	D	10-32	40	16,5	31	13	10
K0261.11A2	D	1/4-20	40	16,5	31	13	10
K0261.11A3	D	5/16-18	40	16,5	31	13	14
K0261.12A3	D	5/16-18	50	18	36	15	14
K0261.12A4	D	3/8-16	50	18	36	15	14
K0261.13A4	D	3/8-16	63	22	41	17	14
K0261.13A5	D	1/2-13	63	22	41	17	18

**KIPP Knurled Wheels, components in stainless steel, internal thread, inch**

Item No.	Style	D	D1	D2	H	H1	T
K0261.21A1Δ	K	10-32	40	16,5	31	13	10
K0261.21A2Δ	K	1/4-20	40	16,5	31	13	10
K0261.21A3Δ	K	5/16-18	40	16,5	31	13	14
K0261.22A3Δ	K	5/16-18	50	18	36	15	14
K0261.22A4Δ	K	3/8-16	50	18	36	15	14
K0261.23A4Δ	K	3/8-16	63	22	41	17	14
K0261.23A5Δ	K	1/2-13	63	22	41	17	18



# Knurled Wheels

internal components stainless steel



## KIPP Knurled Wheels, components in stainless steel, external thread, inch

Item No.	Style	Size	D	D1	D2	H	H1	L
K0261.51A1ΔX	L	1	10-32	40	16,5	31	13	10/20
K0261.51A2ΔX	L	1	1/4-20	40	16,5	31	13	20/30
K0261.51A3ΔX	L	1	5/16-18	40	16,5	31	13	20/40
K0261.52A3ΔX	L	2	5/16-18	50	18	36	15	20/40
K0261.52A4ΔX	L	2	3/8-16	50	18	36	15	20/40
K0261.53A4ΔX	L	3	3/8-16	63	22	41	17	20/40

## KIPP Knurled Wheels, components in stainless steel, internal thread, metric

Item No.	Style	D	D1	D2	H	H1	T
K0261.1105	D	M5	40	16,5	30	13	10
K0261.1106	D	M6	40	16,5	30	13	10
K0261.1108	D	M8	40	16,5	30	13	14
K0261.1208	D	M8	50	18	35	15	14
K0261.1210	D	M10	50	18	35	15	14
K0261.1310	D	M10	63	22	40	17	14
K0261.1312	D	M12	63	22	40	17	18

## KIPP Knurled Wheels, components in stainless steel, internal thread, metric

Item No.	Style	D	D1	D2	H	H1	T
K0261.2105Δ	K	M5	40	16,5	31	13	10
K0261.2106Δ	K	M6	40	16,5	31	13	10
K0261.2108Δ	K	M8	40	16,5	31	13	14
K0261.2208Δ	K	M8	50	18	36	15	14
K0261.2210Δ	K	M10	50	18	36	15	14
K0261.2310Δ	K	M10	63	22	41	17	14
K0261.2312Δ	K	M12	63	22	41	17	18

## KIPP Knurled Wheels, components in stainless steel, external thread, metric

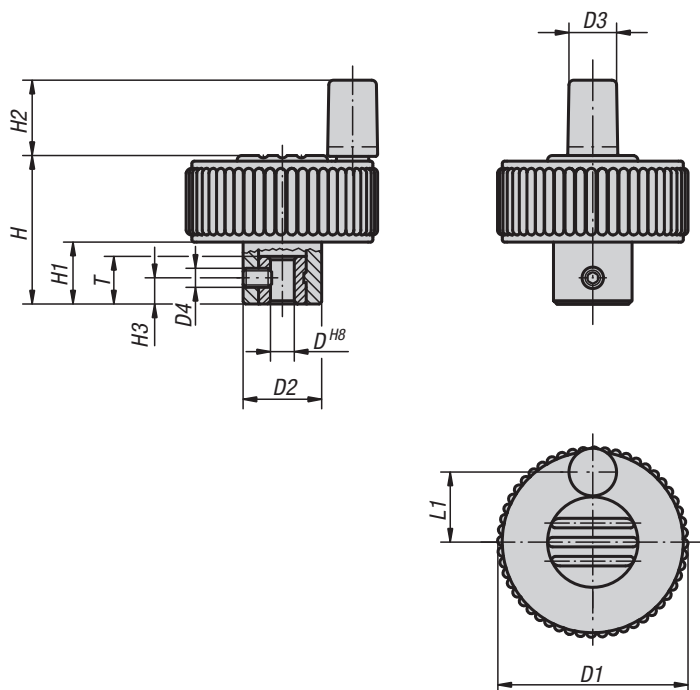
Item No.	Style	D	D1	D2	H	H1	L
K0261.5105ΔX	L	M5	40	16,5	31	13	10/20
K0261.5106ΔX	L	M6	40	16,5	31	13	10/20/40
K0261.5108ΔX	L	M8	40	16,5	31	13	15/30/60
K0261.5208ΔX	L	M8	50	18	36	15	15/30/60
K0261.5210ΔX	L	M10	50	18	36	15	20/30/60
K0261.5310ΔX	L	M10	63	22	41	17	20/30/60

## Knurled Wheels

internal components steel, with revolving handle



INCH Parts    METRIC Parts



**Material:**  
Black thermoplastic.  
Bushing quality class 5.8 steel.

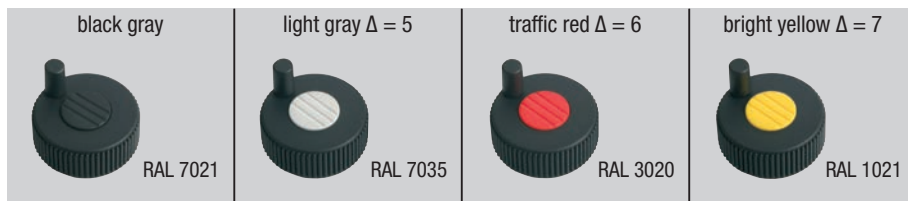
**Type:**  
Steel trivalent blue passivated.

**Part Number Example:**  
K0262.21066 (wheel cap color traffic red)

Δ Add the desired cap color here.  
No color code is required for black gray caps.

**Note:**  
For the inch series, dimension D is in inches, all other dimensions are in mm.

**Drawing reference:**  
Style H: no tapped hole D4.  
Style M: with tapped hole D4 and set screw.



### KIPP Knurled Wheels, internal components steel, with revolving handle, inch

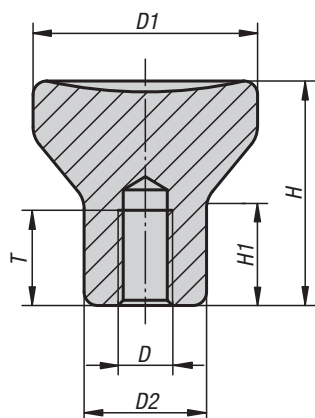
Item No.	Style	D	D1	D2	D3	D4	H	H1	H2	H3	L1	T
K0262.21CMA	H	0,25	40	16,5	10	-	31	13	16	-	15	10
K0262.22CMA	H	0,25	50	18	10	-	36	15	16	-	18,5	10
K0262.23CNA	H	0,312	63	22	10	-	41	17	16	-	25	14
K0262.11CMA	M	0,25	40	16,5	10	M4	31	13	16	5,5	15	10
K0262.12CMA	M	0,25	50	18	10	M4	36	15	16	5,5	18,5	10
K0262.13CNA	M	0,312	63	22	10	M4	41	17	16	8	25	14

### KIPP Knurled Wheels, internal components steel, with revolving handle, metric

Item No.	Style	D	D1	D2	D3	D4	H	H1	H2	H3	L1	T
K0262.2106Δ	H	6H8	40	16,5	10	-	31	13	16	-	15	10
K0262.2206Δ	H	6H8	50	18	10	-	36	15	16	-	18,5	10
K0262.2308Δ	H	8H8	63	22	10	-	41	17	16	-	25	14
K0262.1106Δ	M	6H8	40	16,5	10	M4	31	13	16	5,5	15	10
K0262.1206Δ	M	6H8	50	18	10	M4	36	15	16	5,5	18,5	10
K0262.1308Δ	M	8H8	63	22	10	M4	41	17	16	8	25	14

## Mushroom Knobs

stainless steel



**Material:**  
Stainless steel 1.4305  
(AISI 303 equivalent).

**Type:**  
Electropolished.

**Part Number Example:**  
K0250.9AC

**Note:**  
For the inch series, dimension D is in inches, all other dimensions are in mm.

## KIPP Mushroom Knobs, stainless steel, internal thread, inch

Item No.	D	D1	D2	H	H1	T
K0250.9AC	2-56	14	8	14	6,7	4
K0250.0AD	6-32	18	10	18	8,6	7,5
K0250.1AE	8-32	21	12	21	10	10
K0250.1A0	10-24	21	12	21	10	12,5
K0250.1A1	10-32	21	12	21	10	12,5
K0250.2A2	1/4-20	25	14	25	12	12
K0250.3A3	5/16-18	33	18	33	16	16
K0250.4A4	3/8-16	40	24	40	18,7	20

## KIPP Mushroom Knobs, stainless steel, internal thread, metric

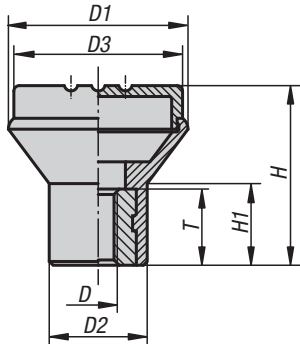
Item No.	D	D1	D2	H	H1	T
K0250.902	M2	14	8	14	6,7	4
K0250.003	M3	18	10	18	8,6	7,5
K0250.104	M4	21	12	21	10	10
K0250.105	M5	21	12	21	10	12,5
K0250.206	M6	25	14	25	12	12
K0250.308	M8	33	18	33	16	16
K0250.410	M10	40	24	40	18,7	20

## Mushroom Knobs

with internal thread



INCH Parts    METRIC Parts



**Material:**

Black thermoplastic.  
Bushing steel quality class 5.8 or stainless steel 1.4305 (AISI 303 equivalent).

**Type:**

Lower part of grip black.  
Steel trivalent blue passivated, stainless steel bright.

**Part Number Example:**

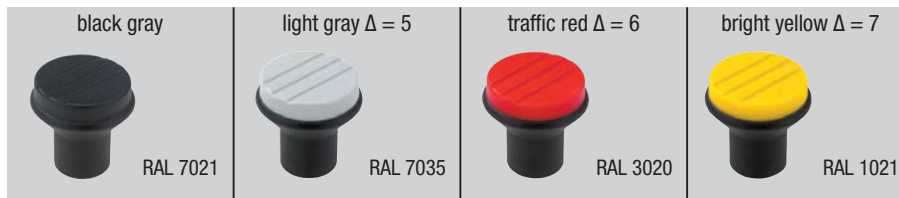
K0251.AE6 (cap color traffic red)

Δ Add the desired cap color here.

No color code is required for black gray caps.

**Note:**

For the inch series, dimension D is in inches, all other dimensions are in mm.



### KIPP Mushroom Knobs, internal thread, inch

Item No. steel	Item No. stainless steel	D	D1	D2	D3	H	H1	T
K0251.A2Δ	K0251.0A2Δ	1/4-20	25	14	23	25	12	10
K0251.A3Δ	K0251.0A3Δ	5/16-18	33	19	31	33	15	14
K0251.AEΔ	K0251.0AEΔ	8-32	21	13	19	21	10	10
K0251.A1Δ	K0251.0A1Δ	10-32	21	13	19	21	10	10

### KIPP Mushroom Knobs, internal thread, metric

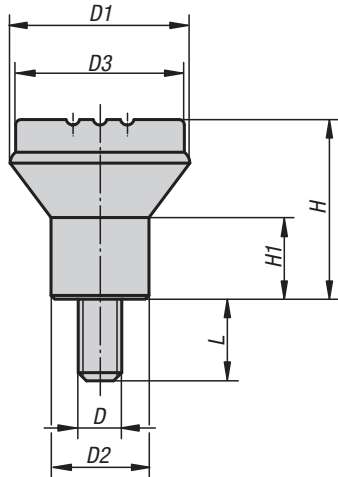
Item No. steel	Item No. stainless steel	D	D1	D2	D3	H	H1	T
K0251.04Δ	K0251.004Δ	M4	21	12	19	21	10	10
K0251.05Δ	K0251.005Δ	M5	21	12	19	21	10	10
K0251.06Δ	K0251.006Δ	M6	25	14	23	25	12	10
K0251.08Δ	K0251.008Δ	M8	33	19	31	33	15	14

## Mushroom Knobs

with external thread



INCH Parts    METRIC Parts



**Material:**

Black thermoplastic.  
Screw steel quality class 5.8 or stainless steel 1.4305 (AISI 303 equivalent).

**Type:**

Steel trivalent blue passivated, stainless steel bright.

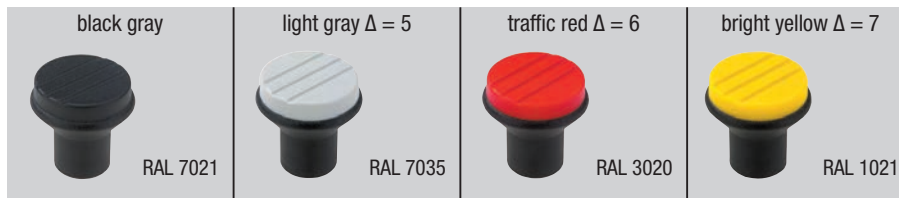
**Part Number Example:**

K0251.AE6X10  
(cap color traffic red; include length L)

Δ Add the desired cap color here.  
No color code is required for black gray caps.

**Note:**

For the inch series, dimension D is in inches, all other dimensions are in mm.



### KIPP Mushroom Knobs, external thread, inch

Item No. steel	Item No. stainless steel	Size	D	D1	D2	D3	H	H1	L
K0251.AEΔX	K0251.0AEΔX	1	8-32	21	13	19	21	10	10/20
K0251.A1ΔX	K0251.0A1ΔX	1	10-32	21	13	19	21	10	10/20
K0251.A2ΔX	K0251.0A2ΔX	2	1/4-20	25	14	23	25	12	20/30
K0251.A3ΔX	K0251.0A3ΔX	3	5/16-18	33	19	31	33	15	20/40

### KIPP Mushroom Knobs, external thread, metric

Item No. steel	Item No. stainless steel	Size	D	D1	D2	D3	H	H1	L
K0251.04ΔX10	K0251.004ΔX10	1	M4	21	12	19	21	10	10
K0251.05ΔX10	K0251.005ΔX10	1	M5	21	12	19	21	10	10
K0251.06ΔX15	K0251.006ΔX15	2	M6	25	14	23	25	12	15
K0251.08ΔX15	K0251.008ΔX15	3	M8	33	19	31	33	15	15

# Aluminum Palm Grips

similar to DIN 6335

METRIC  
Parts



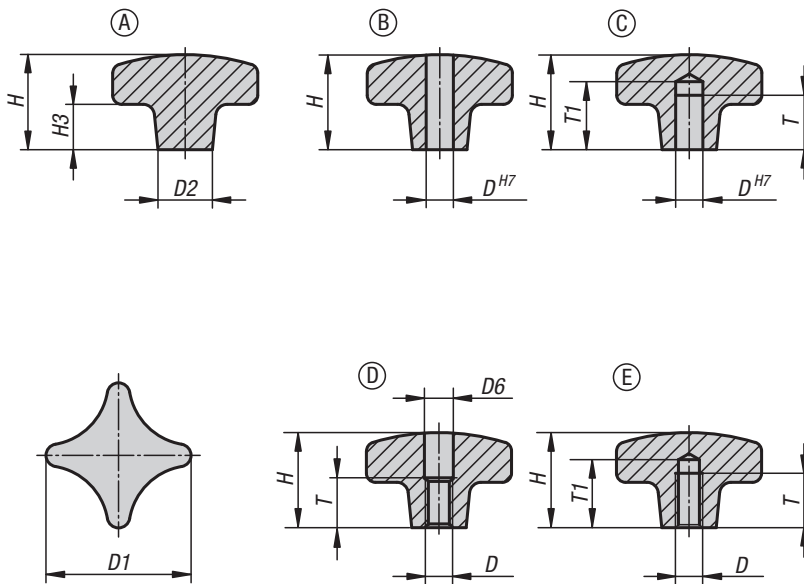
**Material:**  
Aluminum.

**Type:**  
Tumbled or ground and polished.

**Part Number Example:**  
K0145.104008

**On request:**  
Blank palm grips (not tumbled).

**Drawing reference:**  
Style A: blank  
Style B: drilled through  
Style C: blind hole  
Style D: tapped and drilled  
Style E: tapped blind hole



# Aluminum Palm Grips

similar to DIN 6335



## KIPP Aluminum Palm Grips similar to DIN 6335, metric

Item No.	Style	Finish	D1	D2	H	H3
K0145.104008	A	vibratory ground	40	14	26	14
K0145.105010	A	vibratory ground	50	18	34	20
K0145.106312	A	vibratory ground	63	25	42	25
K0145.108016	A	vibratory ground	80	25	52	30

Item No. vibratory ground	Item No. polished	Style	D	D1	D2	H
K0145.204008	K0145.2040082	B	8	40	14	25
K0145.205010	K0145.2050102	B	10	50	18	32
K0145.206312	K0145.2063122	B	12	63	25	40
K0145.208016	K0145.2080162	B	16	80	25	50

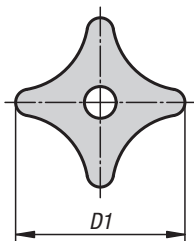
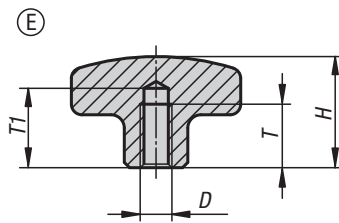
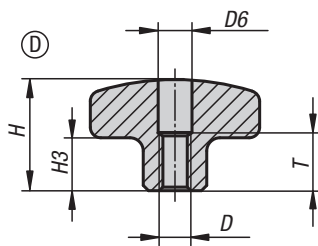
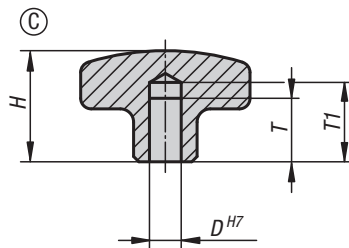
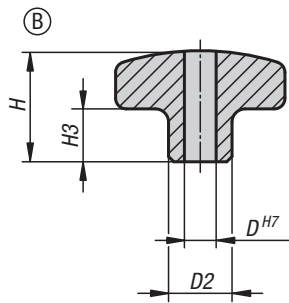
Item No. vibratory ground	Item No. polished	Style	D	D1	D2	H	T	T1
K0145.304008	K0145.3040082	C	8	40	14	25	15	18
K0145.305010	K0145.3050102	C	10	50	18	32	18	21
K0145.306312	K0145.3063122	C	12	63	25	40	22	25
K0145.308016	K0145.3080162	C	16	80	25	50	28	32

Item No. vibratory ground	Item No. polished	Style	D	D1	D2	D6	H	T
K0145.404008	K0145.4040082	D	M8	40	14	8,4	25	15
K0145.405010	K0145.4050102	D	M10	50	18	10,5	32	18
K0145.406312	K0145.4063122	D	M12	63	25	13	40	22
K0145.408016	K0145.4080162	D	M16	80	25	17	50	28

Item No. vibratory ground	Item No. polished	Style	D	D1	D2	H	T	T1
K0145.504008	K0145.5040082	E	M8	40	14	25	15	18
K0145.505010	K0145.5050102	E	M10	50	18	32	18	21
K0145.506312	K0145.5063122	E	M12	63	25	40	22	25
K0145.508016	K0145.5080162	E	M16	80	25	50	28	32

## Palm Grips

in stainless steel similar to DIN 6335



**Material:**

Stainless steel 1.4308  
(AISI "316" equivalent).

**Type:**

Ground and polished

**Part Number Example:**

K0146.2032CM2

**Note:**

For the inch series, dimension D is in inches, all other dimensions are in mm.

**On request:**

With external thread.

**Drawing reference:**

Style B: drilled through

Style C: blind hole

Style D: tapped and drilled

Style E: tapped blind hole



# Palm Grips

in stainless steel similar to DIN 6335



## KIPP Palm Grips similar to DIN 6335, stainless steel, inch

Item No. Style B	Item No. Style C	Finish	D	D1	D2	H	H3	T	T1
K0146.2032CM2	K0146.3032CM2	polished	0,25	32	12	21	10	-/12	-/15
K0146.2040CN2	K0146.3040CN2	polished	0,312	40	14	26	13	-/15	-/18
K0146.2050C02	K0146.3050C02	polished	0,375	50	18	34	17	-/18	-/21
K0146.2063CP2	K0146.3063CP2	polished	0,5	63	20	42	21	-/22	-/25

## KIPP Palm Grips similar to DIN 6335, stainless steel, inch

Item No. Style D	Item No. Style E	Finish	D	D1	D2	D6	H	H3	T	T1
K0146.4032A22	K0146.5032A22	polished	1/4-20	32	12	6,4/-	21	10	11/12	-/15
K0146.4040A32	K0146.5040A32	polished	5/16-18	40	14	8,4/-	26	13	14/15	-/18
K0146.4050A42	K0146.5050A42	polished	3/8-16	50	18	10,5/-	34	17	18	-/21
K0146.4063A52	K0146.5063A52	polished	1/2-13	63	20	13/-	42	21	22	-/25

## KIPP Palm Grips similar to DIN 6335, stainless steel, metric

Item No. Style B	Item No. Style C	Finish	D	D1	D2	H	H3	T	T1
K0146.2032062	K0146.3032062	polished	6	32	12	21	10	-/12	-/15
K0146.2040082	K0146.3040082	polished	8	40	14	26	14	-/15	-/18
K0146.2050102	K0146.3050102	polished	10	50	18	34	20	-/18	-/21
K0146.2063122	K0146.3063122	polished	12	63	20	42	25	-/22	-/25

## KIPP Palm Grips similar to DIN 6335, stainless steel, metric

Item No. Style D	Item No. Style E	Finish	D	D1	D2	D6	H	H3	T	T1
K0146.4032062	K0146.5032062	polished	M6	32	12	6,4/-	21	10	11/12	-/15
K0146.4040082	K0146.5040082	polished	M8	40	14	8,4/-	26	14	14/15	-/18
K0146.4050102	K0146.5050102	polished	M10	50	18	10,5/-	34	20	18	-/21
K0146.4063122	K0146.5063122	polished	M12	63	20	13/-	42	25	22	-/25

## Palm Grips

gray cast iron DIN 6335

INCH Parts  
METRIC Parts



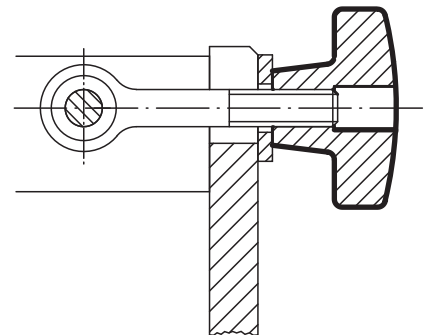
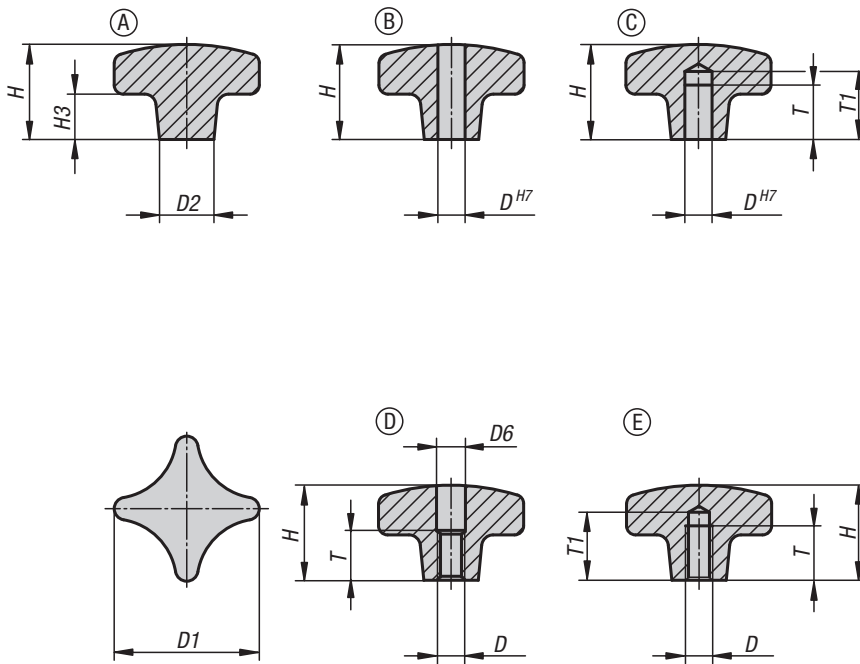
**Material:**  
Gray cast iron GJL 200

**Type:**  
Vibratory ground.  
Bright.

**Part Number Example:**  
K0147.2CM

**Note:**  
For the inch series, dimension D is in inches, all other dimensions are in mm.

**Drawing reference:**  
Style A: blank  
Style B: drilled through  
Style C: blind hole  
Style D: tapped and drilled  
Style E: tapped blind hole



# Palm Grips

gray cast iron DIN 6335



## KIPP Palm Grips gray cast iron DIN 6335, style B, inch

Item No.	Style	Style	D	D1	D2	H	H3
K0147.2CM	B	tumbled	0,25	32	12	20	10
K0147.2CN	B	tumbled	0,312	40	14	25	14
K0147.2CO	B	tumbled	0,375	50	18	32	20
K0147.2CP	B	tumbled	0,5	63	20	40	25
K0147.2CQ	B	tumbled	0,625	80	25	50	30
K0147.2CR	B	tumbled	0,75	100	32	63	38

## KIPP Palm Grips gray cast iron DIN 6335, inch

Item No. Style C	Item No. Style D	Item No. Style E	Style	D	D1	D2	H	H3	T	T1
K0147.3CM	K0147.4A2	K0147.5A2	tumbled	0,25 / 1/4-20 / 1/4-20	32	12	21/20	10	12/10/12	15/-/15
K0147.3CN	K0147.4A3	K0147.5A3	tumbled	0,312 / 5/16-18 / 5/16-18	40	14	26/25	14	15/13/15	18/-/18
K0147.3CO	K0147.4A4	K0147.5A4	tumbled	0,375 / 3/8-16 / 3/8-16	50	18	34/32	20	18/16/18	21/-/21
K0147.3CP	K0147.4A5	K0147.5A5	tumbled	0,5 / 1/2-13 / 1/2-13	63	20	42/40	25	22/20/22	25/-/25
K0147.3CQ	K0147.4A6	K0147.5A6	tumbled	0,625 / 5/8-11 / 5/8-11	80	25	52/50	30	28/20/28	32/-/32
K0147.3CR	K0147.4A7	K0147.5A7	tumbled	0,75 / 3/4-10 / 3/4-10	100	32	65/63	38	36/25/36	40/-/40

## KIPP Palm Grips gray cast iron DIN 6335, metric

Item No. Style A	Item No. Style B	Style	D	D1	D2	H	H3
K0147.106	K0147.206	tumbled	-/6	32	12	21/20	10
K0147.108	K0147.208	tumbled	-/8	40	14	26/25	14
K0147.110	K0147.210	tumbled	-/10	50	18	34/32	20
K0147.112	K0147.212	tumbled	-/12	63	20	42/40	25
K0147.116	K0147.216	tumbled	-/16	80	25	52/50	30
K0147.120	K0147.220	tumbled	-/20	100	32	65/63	38

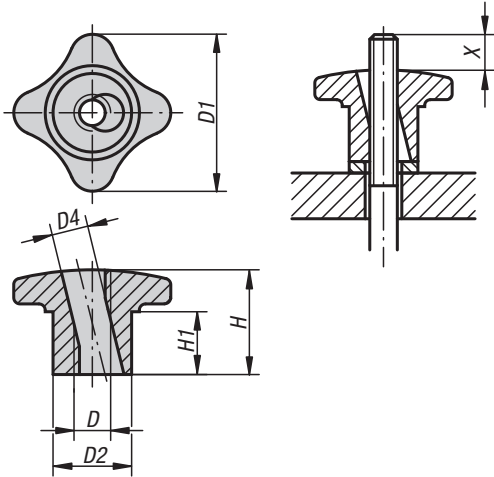
## KIPP Palm Grips gray cast iron DIN 6335, metric

Item No. Style C	Item No. Style D	Item No. Style E	Style	D	D1	D2	D6	H	H3	T	T1
K0147.306	K0147.406	K0147.506	tumbled	6/M6	32	12	-/6,4/-	20	10	10/12/12	15/-/15
K0147.308	K0147.408	K0147.508	tumbled	8/M8	40	14	-/8,4/-	25	14	13/15/15	18/-/18
K0147.310	K0147.410	K0147.510	tumbled	10/M10	50	18	-/10,5/-	32	20	16/18/18	21/-/21
K0147.312	K0147.412	K0147.512	tumbled	12/M12	63	20	-/13/-	40	25	20/22/22	25/-/25
K0147.316	K0147.416	K0147.516	tumbled	16/M16	80	25	-/17/-	50	30	20/28/28	32/-/32
K0147.320	K0147.420	K0147.520	tumbled	20/M20	100	32	-/21/-	63	38	25/36/36	40/-/40

## Quick-Acting Palm Grips

in gray cast iron

METRIC  
Parts



**Material:**

Gray cast iron GJL 300

**Type:**

Vibratory ground.

**Part Number Example:**

K0683.08

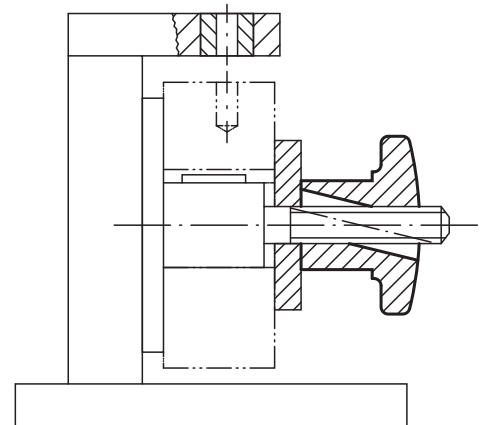
**Note:**

Quick-Acting palm grips can be used on all fixtures that do not require a high clamping force.

Tilt the grip to slide on, then straighten it to engage the threads.

**Drawing reference:**

X: The stud should be several mm longer than height "H"



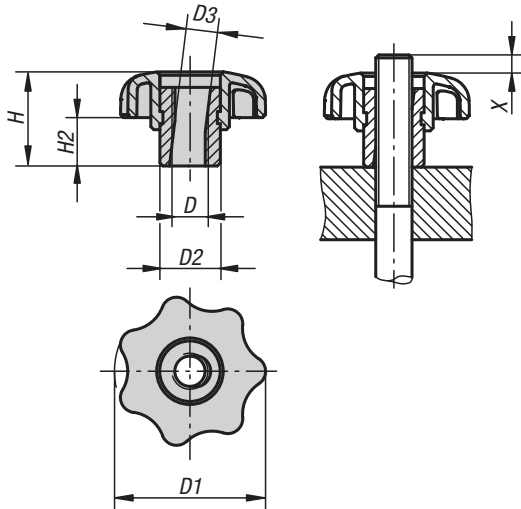
**KIPP Quick-Acting Palm Grips in gray cast iron, metric**

Item No.	D	D1	D2	D4	H	H1
K0683.06	M6	30	15	7	20	10
K0683.08	M8	40	18	9,4	25	14
K0683.10	M10	50	21	11,3	30	16
K0683.12	M12	60	26	13,1	35	19
K0683.14	M14	70	30	15,6	40	22
K0683.16	M16	80	34	17,6	45	25

## Quick-Acting Star Grips



METRIC  
Parts



**Material:**

Black thermoplastic.  
Bushing steel.

**Type:**

Bushing trivalent blue passivated.

**Part Number Example:**

K0156.06

**Note:**

Quick-Acting Star Grips can be used on all fixtures that do not require a high clamping force.  
Tilt the grip to slide on, then straighten it to engage the threads.

**Drawing reference:**

X: The stud should be several mm longer than height "H"

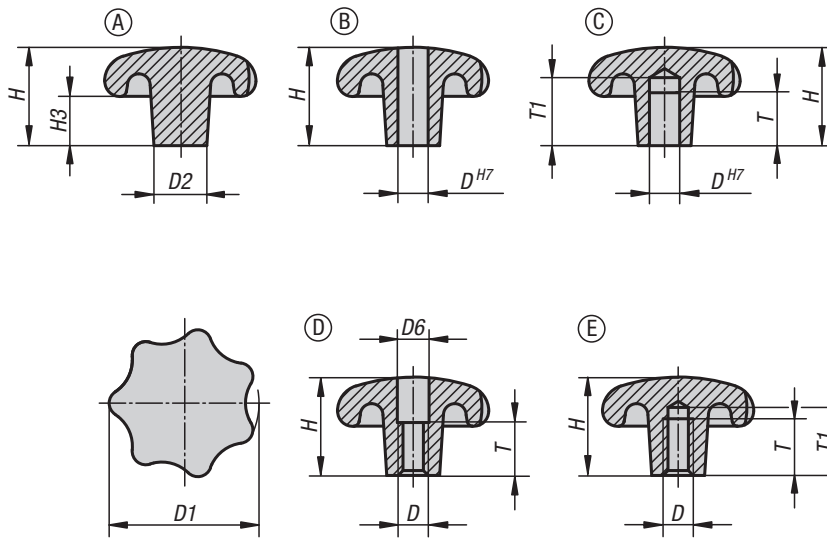
### KIPP Quick-Acting Star Grips, metric

Item No.	D	D1	D2	D3	H	H2
K0156.05	M5	25	10	5,2	16,6	9
K0156.06	M6	32	13,5	6,2	20,6	11
K0156.08	M8	40	13,5	8,3	24,5	13
K0156.10	M10	50	19	10,3	31,2	17
K0156.12	M12	63	19	12,7	39,3	21

## Star Grips

aluminum, similar to DIN 6336

METRIC  
Parts



**Material:**  
Aluminum.

**Type:**  
Tumbled or ground and polished.

**Part Number Example:**  
K0149.14008

**On request:**  
Blank star grips (not tumbled).

**Drawing reference:**  
Style A: blank  
Style B: drilled through  
Style C: blind hole  
Style D: tapped and drilled  
Style E: tapped blind hole

## Star Grips

aluminum, similar to DIN 6336



## KIPP Aluminum star grips similar to DIN 6336, metric

Item No.	Style	Finish	D1	D2	H	H3
K0149.14008	A	tumbled	40	14	26	13
K0149.15010	A	tumbled	50	18	34	17
K0149.16312	A	tumbled	63	20	42	21
K0149.18016	A	tumbled	80	25	52	25

Item No. tumbled	Item No. polished	Style	D	D1	D2	H
K0149.24008	K0149.240082	B	8	40	14	25
K0149.25010	K0149.250102	B	10	50	18	32
K0149.26312	K0149.263122	B	12	63	20	40
K0149.28016	K0149.280162	B	16	80	25	50

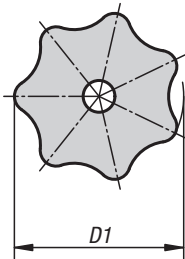
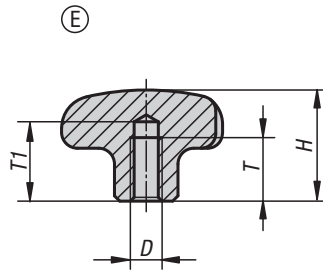
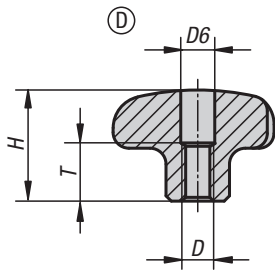
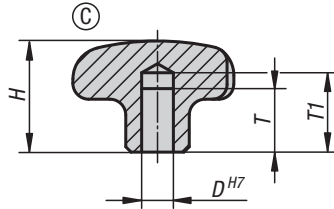
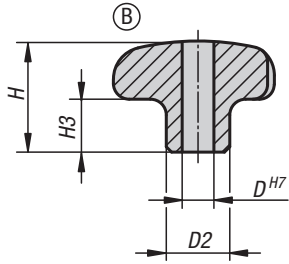
Item No. tumbled	Item No. polished	Style	D	D1	D2	H	T	T1
K0149.34008	K0149.340082	C	8	40	14	25	15	18
K0149.35010	K0149.350102	C	10	50	18	32	18	21
K0149.36312	K0149.363122	C	12	63	20	40	22	25
K0149.38016	K0149.380162	C	16	80	25	50	28	32

Item No. tumbled	Item No. polished	Style	D	D1	D2	D6	H	T
K0149.44008	K0149.440082	D	M8	40	14	8,4	25	12
K0149.45010	K0149.450102	D	M10	50	18	10,5	32	16
K0149.46312	K0149.463122	D	M12	63	20	13	40	20
K0149.48016	K0149.480162	D	M16	80	25	17	50	30

Item No. tumbled	Item No. polished	Style	D	D1	D2	H	T	T1
K0149.54008	K0149.540082	E	M8	40	14	25	15	18
K0149.55010	K0149.550102	E	M10	50	18	32	18	21
K0149.56312	K0149.563122	E	M12	63	20	40	22	25
K0149.58016	K0149.580162	E	M16	80	25	50	28	32

## Star Grips

stainless steel similar to DIN 6336



**Material:**

Stainless steel 1.4308  
(AISI "316" equivalent).

**Type:**

Ground and polished

**Part Number Example:**

K0150.232CM2

**Note:**

For the inch series, dimension D is in inches, all other dimensions are in mm.

**Drawing reference:**

Style B: drilled through

Style C: blind hole

Style D: tapped and drilled

Style E: tapped blind hole



## Star Grips

stainless steel similar to DIN 6336



## KIPP Star Grips in stainless steel similar to DIN 6336, inch

Item No. Style B	Item No. Style C	Finish	D	D1	D2	H	H3	T	T1
K0150.232CM2	K0150.332CM2	polished	0,25	32	12	21	10	-/12	-/15
K0150.240CN2	K0150.340CN2	polished	0,312	40	14	26	13	-/15	-/18
K0150.250C02	K0150.350C02	polished	0,375	50	18	34	17	-/18	-/21
K0150.263CP2	K0150.363CP2	polished	0,5	63	20	42	21	-/22	-/25

## KIPP Star Grips in stainless steel similar to DIN 6336, inch

Item No. Style D	Item No. Style E	Finish	D	D1	D2	D6	H	H3	T	T1
K0150.432A22	K0150.532A22	polished	1/4-20	32	12	6,4/-	21	10	11/12	-/15
K0150.440A32	K0150.540A32	polished	5/16-18	40	14	8,4/-	26	13	14/15	-/18
K0150.450A42	K0150.550A42	polished	3/8-16	50	18	10,5/-	34	17	18	-/21
K0150.463A52	K0150.563A52	polished	1/2-13	63	20	13/-	42	21	22	-/25

## KIPP Star Grips in stainless steel similar to DIN 6336, metric

Item No. Style B	Item No. Style C	Finish	D	D1	D2	H	H3	T	T1
K0150.232062	K0150.332062	polished	6	32	12	21	10	-/12	-/15
K0150.240082	K0150.340082	polished	8	40	14	26	13	-/15	-/18
K0150.250102	K0150.350102	polished	10	50	18	34	17	-/18	-/21
K0150.263122	K0150.363122	polished	12	63	20	42	21	-/22	-/25

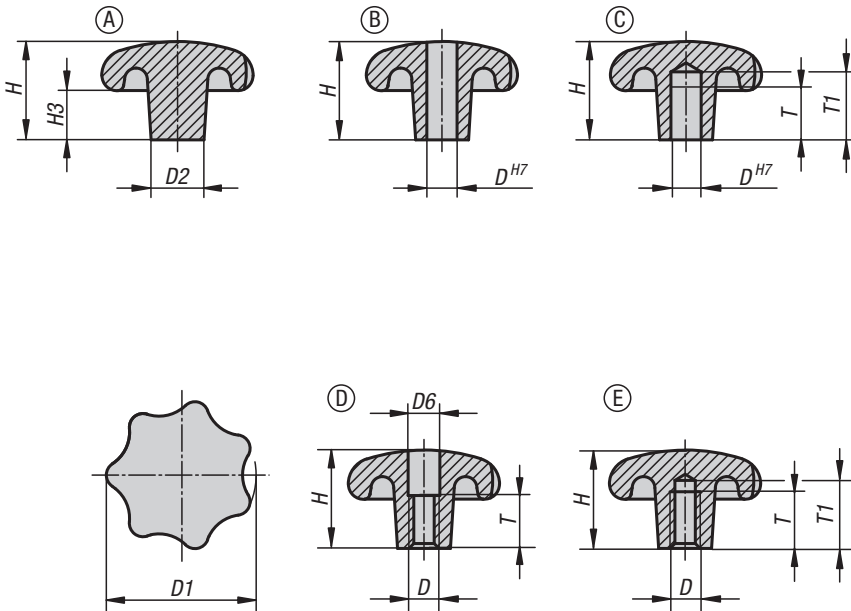
## KIPP Star Grips in stainless steel similar to DIN 6336, metric

Item No. Style D	Item No. Style E	Finish	D	D1	D2	D6	H	H3	T	T1
K0150.432062	K0150.532062	polished	M6	32	12	6,4/-	21	10	11/12	-/15
K0150.440082	K0150.540082	polished	M8	40	14	8,4/-	26	13	14/15	-/18
K0150.450102	K0150.550102	polished	M10	50	18	10,5/-	34	17	18	-/21
K0150.463122	K0150.563122	polished	M12	63	20	13/-	42	21	22	-/25

## Star Grips

gray cast iron DIN 6336

INCH Parts  
METRIC Parts



**Material:**  
Gray cast iron GJL 200

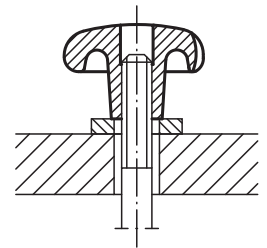
**Type:**  
Vibratory ground.  
Bright.

**Part Number Example:**  
K0151.2CM

**Note:**  
For the inch series, dimension D is in inches, all other dimensions are in mm.

**On request:**  
Grips with a powder coating.

**Drawing reference:**  
Style A: blank  
Style B: drilled through  
Style C: blind hole  
Style D: tapped and drilled  
Style E: tapped blind hole



## Star Grips

gray cast iron DIN 6336



## KIPP Star Grips gray cast iron DIN 6336, style B, inch

Item No.	Style	Main color	D	D1	D2	H
K0151.2CM	B	tumbled	0,25	32	12	20
K0151.2CN	B	tumbled	0,312	40	14	25
K0151.2CO	B	tumbled	0,375	50	18	32
K0151.2CP	B	tumbled	0,5	63	20	40
K0151.2CQ	B	tumbled	0,625	80	25	50

## KIPP Star Grips gray cast iron DIN 6336, inch

Item No. Style C	Item No. Style D	Item No. Style E	Main color	D	D1	D2	H	H3	T	T1
K0151.3CM	K0151.4A2	K0151.5A2	tumbled	0,25 / 1/4-20 / 1/4-20	32	12	20	10	12/10/28	15/-/32
K0151.3CN	K0151.4A3	K0151.5A3	tumbled	0,312 / 5/16-18 / 5/16-18	40	14	25	13	15/13/15	18/-/18
K0151.3CO	K0151.4A4	K0151.5A4	tumbled	0,375 / 3/8-16 / 3/8-16	50	18	32	17	18/16/18	21/-/21
K0151.3CP	K0151.4A5	K0151.5A5	tumbled	0,5 / 1/2-13 / 1/2-13	63	20	40	21	22/20/22	25/-/25
K0151.3CQ	K0151.4A6	K0151.5A6	tumbled	0,625 / 5/8-11 / 5/8-11	80	25	50	25	28/20/28	32/-/32

## KIPP Star Grips gray cast iron DIN 6336, metric

Item No. Style A	Item No. Style B	Main color	D	D1	D2	H	H3
K0151.106	K0151.206	tumbled	-/6	32	12	21/20	10
K0151.108	K0151.208	tumbled	-/8	40	14	26/25	13
K0151.110	K0151.210	tumbled	-/10	50	18	34/32	17
K0151.112	K0151.212	tumbled	-/12	63	20	42/40	21
K0151.116	K0151.216	tumbled	-/16	80	25	52/50	25

## KIPP Star Grips gray cast iron DIN 6336, metric

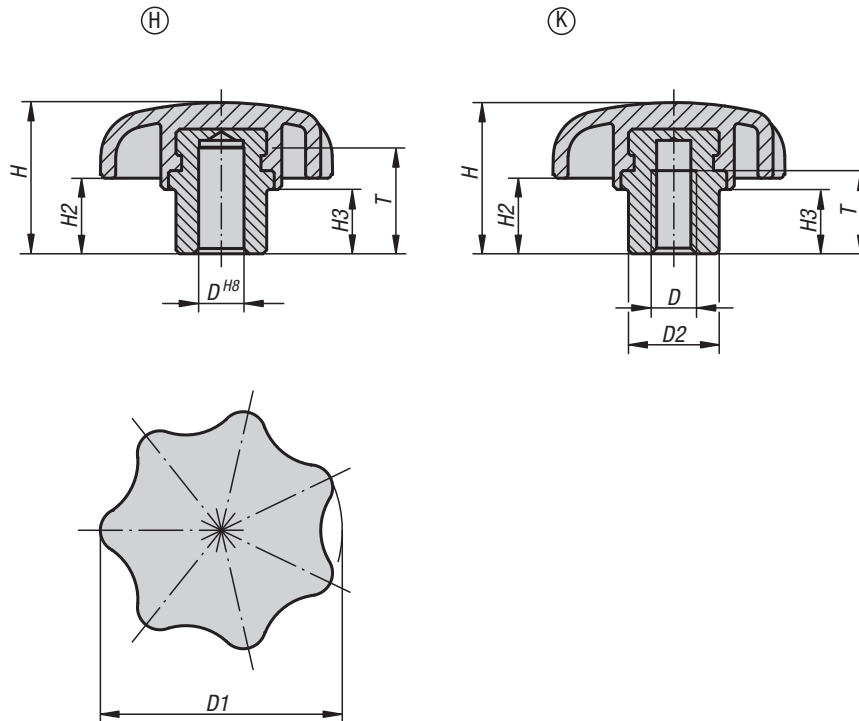
Item No. Style C	Item No. Style D	Item No. Style E	Main color	D	D1	D2	D6	H	H3	T	T1
K0151.306	K0151.406	K0151.506	tumbled	6/M6	32	12	-/6,4/-	20	10	10/12/12	15/-/15
K0151.308	K0151.408	K0151.508	tumbled	8/M8	40	14	-/8,4/-	25	13	13/15/15	18/-/18
K0151.310	K0151.410	K0151.510	tumbled	10/M10	50	18	-/10,5/-	32	17	16/18/18	21/-/21
K0151.312	K0151.412	K0151.512	tumbled	12/M12	63	20	-/13/-	40	21	20/22/22	25/-/25
K0151.316	K0151.416	K0151.516	tumbled	16/M16	80	25	-/17/-	50	25	20/28/28	32/-/32

## Star Grips

with protruding bushing



INCH Parts    METRIC Parts



**Material:**  
Black thermoplastic.  
Steel quality class 5.8 or stainless steel 1.4305 (AISI 303 equivalent).

**Type:**  
Metal parts trivalent blue passivated steel or bright stainless steel.

**Part Number Example:**  
K0153.1CL

**Note:**  
For the inch series, dimension D is in inches, all other dimensions are in mm.  
Star Grips with projecting bushing are particularly suitable for cross pinning or attaching with a set screw.

**Drawing reference:**  
Style H: blind hole  
Style K: tapped blind hole

### KIPP Star Grips, with protruding bushing, style H, inch

Item No.	Style	Component material	D	D1	D2	H	H2	H3	T
K0153.1CL	H	steel	0,188	25	10	16	8	6	9,5
K0153.1CM	H	steel	0,25	32	13,5	21	11	9,5	12,5
K0153.1CM1	H	steel	0,25	40	13,5	25	13	10	14
K0153.1CN	H	steel	0,312	40	13,5	25	13	10	14
K0153.1CN1	H	steel	0,312	50	19	32	17	12	18
K0153.1CO	H	steel	0,375	50	19	32	17	12	18
K0153.1CO1	H	steel	0,375	63	19	40	21	15	22
K0153.1CP	H	steel	0,5	63	19	40	21	15	22
K0153.1CQ	H	steel	0,625	63	23	40	21	15	22

### KIPP Star Grips, with protruding bushing, style K, inch

Item No.	Style	Component material	D	D1	D2	H	H2	H3	T
K0153.2A1	K	steel	10-32	25	10	16	8	6	8,5
K0153.2A2	K	steel	1/4-20	32	13,5	21	11	9,5	12
K0153.2A21	K	steel	1/4-20	40	13,5	25	13	10	14
K0153.2A3	K	steel	5/16-18	40	13,5	25	13	10	14
K0153.2A31	K	steel	5/16-18	50	19	32	17	12	18
K0153.2A4	K	steel	3/8-16	50	19	32	17	12	18
K0153.2A41	K	steel	3/8-16	63	19	40	21	15	22
K0153.2A5	K	steel	1/2-13	63	19	40	21	15	22
K0153.2A6	K	steel	5/8-11	63	23	40	21	15	22

# Star Grips

with protruding bushing



## KIPP Star Grips, with protruding bushing, style H, metric

Item No.	Style	Component material	D	D1	D2	H	H2	H3	T
K0153.105	H	steel	5	25	10	17	9	7	9,5
K0153.106	H	steel	6	32	13,5	21	11	9,5	12,5
K0153.1061	H	steel	6	40	13,5	25	13	10	12,5
K0153.108	H	steel	8	40	13,5	25	13	10	12,5
K0153.1081	H	steel	8	50	19	32	17	12	19,5
K0153.110	H	steel	10	50	19	32	17	12	19,5
K0153.1101	H	steel	10	63	19	37	18	12	19,5
K0153.112	H	steel	12	63	19	37	18	12	19,5
K0153.116	H	steel	16	63	23	40	21	15	24,5

## KIPP Star Grips, with protruding bushing, style K, metric

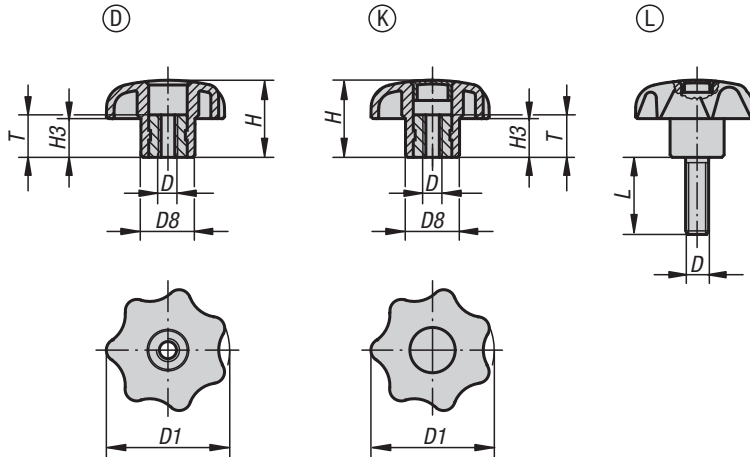
Item No.	Style	Component material	D	D1	D2	H	H2	H3	T
K0153.205	K	steel	M5	25	10	17	9	7	9
K0153.206	K	steel	M6	32	13,5	21	11	9,5	12
K0153.2061	K	steel	M6	40	13,5	25	13	10	12
K0153.208	K	steel	M8	40	13,5	25	13	10	12
K0153.2081	K	steel	M8	50	19	32	17	12	17
K0153.210	K	steel	M10	50	19	32	17	12	17
K0153.2101	K	steel	M10	63	19	37	18	12	17
K0153.212	K	steel	M12	63	19	37	18	12	17
K0153.216	K	steel	M16	63	23	40	21	15	23
K0153.305	K	stainless steel	M5	25	10	17	9	7	9
K0153.306	K	stainless steel	M6	32	13,5	21	11	9,5	12
K0153.3061	K	stainless steel	M6	40	13,5	25	13	10	12
K0153.308	K	stainless steel	M8	40	13,5	25	13	10	12
K0153.3081	K	stainless steel	M8	50	19	32	17	12	17
K0153.310	K	stainless steel	M10	50	19	32	17	12	17
K0153.3101	K	stainless steel	M10	63	19	37	18	12	17
K0153.312	K	stainless steel	M12	63	19	37	18	12	17
K0153.316	K	stainless steel	M16	63	23	40	21	15	23

## Star Grips

steel parts stainless steel, similar to DIN 6336



INCH Parts    METRIC Parts



**Material:**

Black thermoplastic.  
Bushing and screw stainless steel 1.4305 (AISI 303 equivalent).

**Type:**

Bushing and screw bright.

**Part Number Example:**

K0154.4A17X10  
(cap color bright yellow; include length L)

Δ Add the desired cap color code here.

No color code is required for black caps.

**Note:**

For the inch series, dimension D is in inches, all other dimensions are in mm.

**On request:**

Other colors or designs, such as company logo.

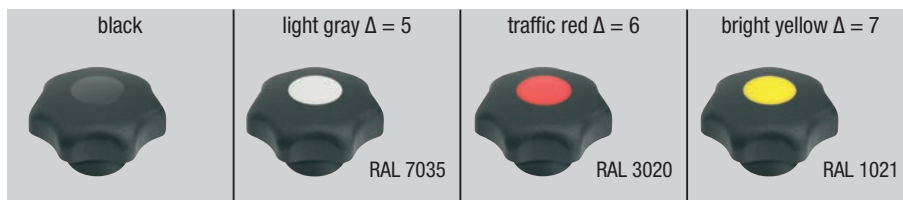
**Drawing reference:**

Style D: tapped bushing without cap

Style K: tapped bushing with cap

Style L: external thread

examples of grip cap designs



**KIPP Star Grips, steel parts in stainless steel similar to DIN 6336, internal thread, style D, inch**

Item No.	Style	D	D1	D8	H	H3	T
K0154.5A1	D	10-32	25	12	16	8	10
K0154.5A2	D	1/4-20	32	14	20	10	10
K0154.5A3	D	5/16-18	40	18	25	13	14
K0154.5A4	D	3/8-16	50	22	32	17	14
K0154.5A5	D	1/2-13	63	26	40	21	18

# Star Grips

steel parts stainless steel, similar to DIN 6336



## KIPP Star Grips, steel parts in stainless steel similar to DIN 6336, internal thread, style K, inch

Item No.	Style	D	D1	D8	H	H3	T
K0154.2A1Δ	K	10-32	25	12	16	8	10
K0154.2A2Δ	K	1/4-20	32	14	20	10	10
K0154.2A3Δ	K	5/16-18	40	18	25	13	14
K0154.2A4Δ	K	3/8-16	50	22	32	17	14
K0154.2A5Δ	K	1/2-13	63	26	40	21	18

## KIPP Star Grips, steel parts in stainless steel similar to DIN 6336, external thread, style L, inch

Item No.	Style	D	D1	D8	H	H3	L
K0154.4A1ΔX	L	10-32	25	12	16	8	10/20
K0154.4A2ΔX	L	1/4-20	32	14	20	10	20/30
K0154.4A3ΔX	L	5/16-18	40	18	25	13	20/40
K0154.4A4ΔX	L	3/8-16	50	22	32	17	20/40

## KIPP Star Grips, steel parts in stainless steel similar to DIN 6336, internal thread, style D, metric

Item No.	Style	D	D1	D8	H	H3	T
K0154.505	D	M5	25	12	16	8	10
K0154.506	D	M6	32	14	20	10	10
K0154.508	D	M8	40	18	25	13	14
K0154.510	D	M10	50	22	32	17	14
K0154.512	D	M12	63	26	40	21	18

## KIPP Star Grips, steel parts in stainless steel similar to DIN 6336, internal thread, style K, metric

Item No.	Style	D	D1	D8	H	H3	T
K0154.205Δ	K	M5	25	12	16	8	10
K0154.206Δ	K	M6	32	14	20	10	10
K0154.208Δ	K	M8	40	18	25	13	14
K0154.210Δ	K	M10	50	22	32	17	14
K0154.212Δ	K	M12	63	26	40	21	18

## KIPP Star Grips, steel parts in stainless steel similar to DIN 6336, external thread, style L, metric

Item No.	Style	D	D1	D8	H	H3	L
K0154.405ΔX	L	M5	25	12	16	8	15/20
K0154.406ΔX	L	M6	32	14	20	10	20/30
K0154.408ΔX	L	M8	40	18	25	13	15/20/25/30/40/60
K0154.410ΔX	L	M10	50	22	32	17	25/30/40/50/60

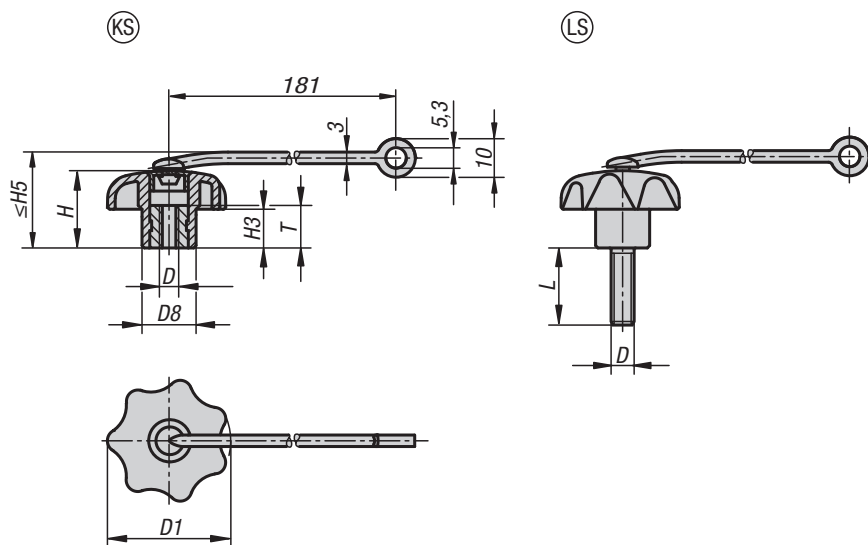
## Star Grips with Safety Lanyard

similar to DIN 6336, steel parts in stainless steel



INCH Parts METRIC Parts

Expanded Line



**Material:**

Grip thermoplastic.  
Bushing and screw stainless steel 1.4305 (AISI 303 equivalent).  
Safety lanyard elastic TPU.

**Type:**

Bushing and screw bright.

**Part Number Example:**

K0154.7056X15  
(cap color traffic red; include length L)

Δ Add the desired cap color here.

No color code is required with a black cap color.

**Note:**

Attach the safety lanyard to a fixed base to prevent loss.

The star grip remains in the immediate vicinity of the object.

For the inch series, dimension D is in inches, all other dimensions are in mm.

**Assembly:**

Do not stretch the lanyard during assembly.

Make sure that the anchor is not too far from where the star grip is to be used.

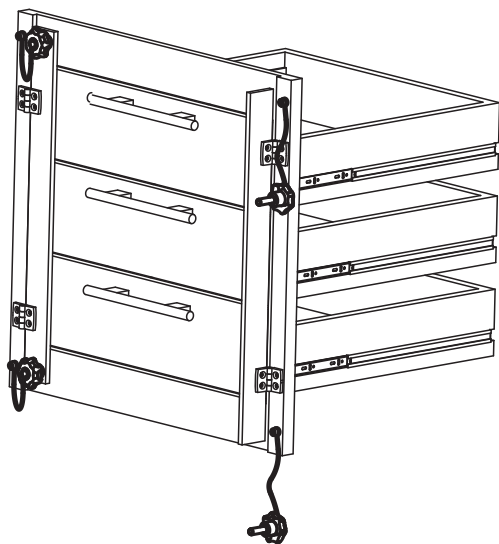
**Accessories:**

The safety lanyard is also available as an accessory, see K0743.04190.

**Drawing reference:**

Style KS: tapped bushing with cap

Style LS: external thread





## Star Grips with Safety Lanyard

similar to DIN 6336, steel parts in stainless steel



### KIPP Star grips with safety lanyard, steel parts in stainless steel, internal thread, style KS, inch

Item No.	Style	D	D1	D8	H	H3	H5 max.	T
K0154.6A1Δ	KS	10-32	25	12	16	8	22	10
K0154.6A2Δ	KS	1/4-20	32	14	20	10	26	10
K0154.6A3Δ	KS	5/16-18	40	18	25	13	31	14
K0154.6A4Δ	KS	3/8-16	50	22	32	17	38	14
K0154.6A5Δ	KS	1/2-13	63	26	40	21	46	18

### KIPP Star grips with safety lanyard, steel parts in stainless steel, external thread, style LS, inch

Item No.	Style	D	D1	D8	H	H3	H5 max.	L
K0154.7A1ΔX	LS	10-32	25	12	16	8	22	10/20
K0154.7A2ΔX	LS	1/4-20	32	14	20	10	26	20/30
K0154.7A3ΔX	LS	5/16-18	40	18	25	13	31	20/40
K0154.7A4ΔX	LS	3/8-16	50	22	32	17	38	20/40

### KIPP Star grips with safety lanyard, steel parts in stainless steel, internal thread, style KS, metric

Item No.	Style	D	D1	D8	H	H3	H5 max.	T
K0154.605Δ	KS	M5	25	12	16	8	22	10
K0154.606Δ	KS	M6	32	14	20	10	26	10
K0154.608Δ	KS	M8	40	18	25	13	31	14
K0154.610Δ	KS	M10	50	22	32	17	38	14
K0154.612Δ	KS	M12	63	26	40	21	46	18

### KIPP Star grips with safety lanyard, steel parts in stainless steel, external thread, style LS, metric

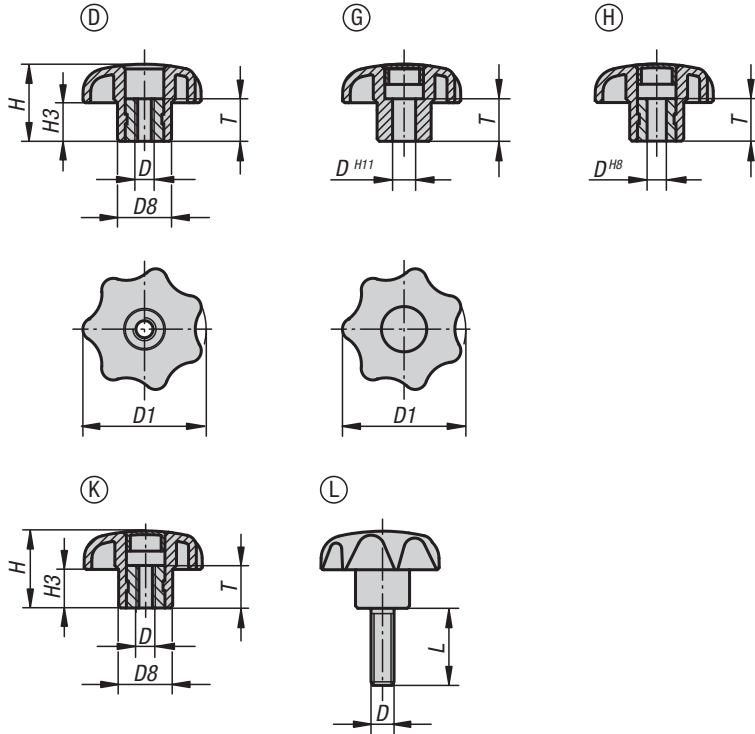
Item No.	Style	D	D1	D8	H	H3	H5 max.	L
K0154.705ΔX	LS	M5	25	12	16	8	22	15/20
K0154.706ΔX	LS	M6	32	14	20	10	26	20/30
K0154.708ΔX	LS	M8	40	18	25	13	31	15/20/25/30/40/60
K0154.710ΔX	LS	M10	50	22	32	17	38	25/30/40/50/60

## Star Grips

similar to DIN 6336



INCH  
Parts



**Material:**

Black thermoplastic.  
Bushing and screw steel.

**Type:**

Bushing and screw trivalent blue passivated.

**Part Number Example:**

K0155.4A17X10  
(cap color bright yellow; include length L)

Δ Add the desired cap color code here.

No color code is required for black caps.

**Note:**

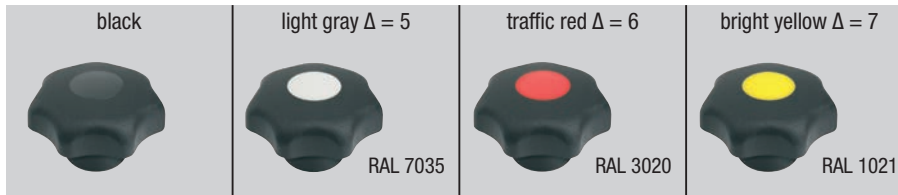
For the inch series, dimension D is in inches, all other dimensions are in mm.

**On request:**

Other colors or designs, such as company logo.

**Drawing reference:**

Style D: tapped bushing without cap  
Style G: drilled hole, no bushing, with cap  
Style H: reamed bushing with cap  
Style K: tapped bushing with cap  
Style L: external thread



**KIPP Star Grips, similar to DIN 6336, internal thread, style D, inch**

Item No.	Style	D	D1	D8	H	H3	T
K0155.5AE	D	8-32	25	12	16	8	10
K0155.5A1	D	10-32	25	12	16	8	10
K0155.5A21	D	1/4-20	25	12	16	8	10
K0155.5A11	D	10-32	32	14	20	10	10
K0155.5A2	D	1/4-20	32	14	20	10	10
K0155.5A3	D	5/16-18	40	18	25	13	14
K0155.5A41	D	3/8-16	40	18	25	13	14
K0155.5A31	D	5/16-18	50	22	32	17	14
K0155.5A4	D	3/8-16	50	22	32	17	14
K0155.5A51	D	1/2-13	50	22	32	17	18
K0155.5A42	D	3/8-16	63	26	40	21	14
K0155.5A5	D	1/2-13	63	26	40	21	18
K0155.5A6	D	5/8-11	63	26	40	21	18

## Star Grips

similar to DIN 6336



## KIPP Star Grips, similar to DIN 6336, drilled or reamed hole, style G and H, inch

Item No. Style G	Item No. Style H	D	D1	D8	H	H3	T
K0155.3CLΔ	K0155.1CLΔ	0,188	25	12	16	8	10
K0155.3CMΔ	K0155.1CMΔ	0,25	32	14	20	10	10
K0155.3CNΔ	K0155.1CNΔ	0,312	40	18	25	13	14
K0155.3COΔ	K0155.1COΔ	0,375	50	22	32	17	14
-	K0155.1CO1Δ	0,375	63	26	40	21	14
K0155.3CPΔ	K0155.1CPΔ	0,5	63	26	40	21	18

## KIPP Star Grips, similar to DIN 6336, internal thread, style K, inch

Item No.	Style	D	D1	D8	H	H3	T
K0155.2AEΔ	K	8-32	25	12	16	8	10
K0155.2A1Δ	K	10-32	25	12	16	8	10
K0155.2A21Δ	K	1/4-20	25	12	16	8	10
K0155.2A11Δ	K	10-32	32	14	20	10	10
K0155.2A2Δ	K	1/4-20	32	14	20	10	10
K0155.2A3Δ	K	5/16-18	40	18	25	13	14
K0155.2A41Δ	K	3/8-16	40	18	25	13	14
K0155.2A31Δ	K	5/16-18	50	22	32	17	14
K0155.2A4Δ	K	3/8-16	50	22	32	17	14
K0155.2A51Δ	K	1/2-13	50	22	32	17	18
K0155.2A42Δ	K	3/8-16	63	26	40	21	14
K0155.2A5Δ	K	1/2-13	63	26	40	21	18
K0155.2A6Δ	K	5/8-11	63	26	40	21	18

## KIPP Star Grips, similar to DIN 6336, external thread, style L, inch

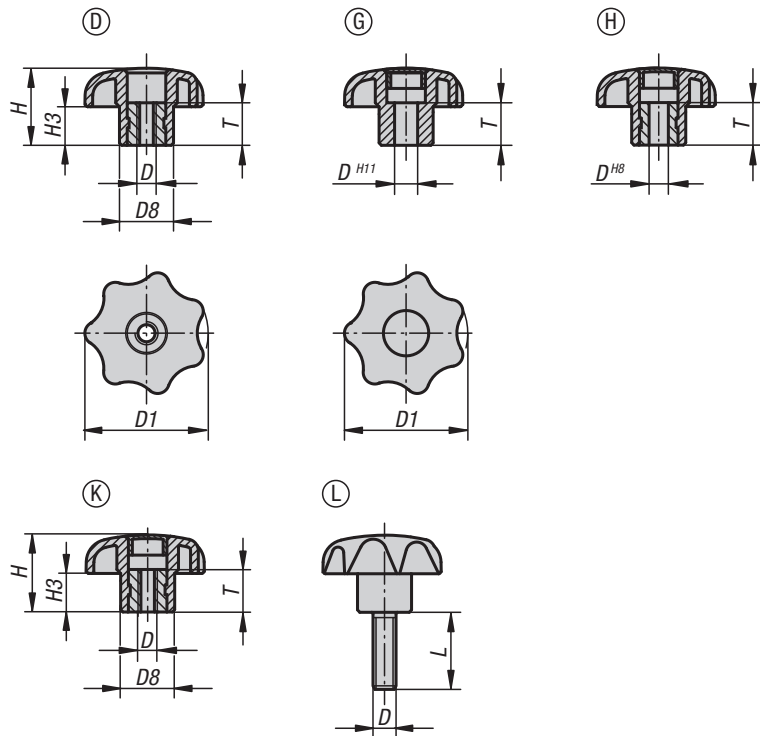
Item No.	Style	D	D1	D8	H	H3	L
K0155.4A1ΔX	L	10-32	25	12	16	8	10/20
K0155.4A2ΔX	L	1/4-20	25	12	16	8	20/30
K0155.4A21ΔX	L	1/4-20	32	14	20	10	20/30
K0155.4A3ΔX	L	5/16-18	32	14	20	10	20/40
K0155.4A31ΔX	L	5/16-18	40	18	25	13	20/40
K0155.4A4ΔX	L	3/8-16	40	18	25	13	20/40
K0155.4A41ΔX	L	3/8-16	50	22	32	17	20/40
K0155.4A5ΔX	L	1/2-13	50	22	32	17	30/60
K0155.4A42ΔX	L	3/8-16	63	26	40	21	20/40
K0155.4A51ΔX	L	1/2-13	63	26	40	21	30/60

## Star Grips

similar to DIN 6336



METRIC  
Parts



**Material:**  
Black thermoplastic.  
Bushing and screw steel.

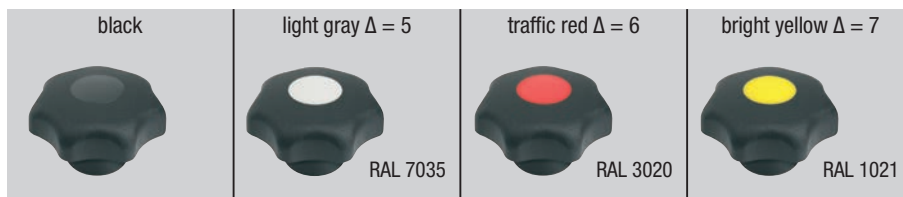
**Type:**  
Bushing and screw trivalent blue passivated.

**Part Number Example:**  
K0155.4127X30 (cap color bright yellow; include length L)

Δ Add the desired cap color code here.  
No color code is required for black caps.

**On request:**  
Other colors or designs, such as company logo.

**Drawing reference:**  
Style D: tapped bushing without cap  
Style G: drilled hole, no bushing, with cap  
Style H: reamed bushing with cap  
Style K: tapped bushing with cap  
Style L: external thread



### KIPP Star Grips, similar to DIN 6336, internal thread, style D, metric

Item No.	Style	D	D1	D8	H	H3	T
K0155.504	D	M4	25	12	16	8	10
K0155.505	D	M5	25	12	16	8	10
K0155.5061	D	M6	25	12	16	8	10
K0155.5051	D	M5	32	14	20	10	10
K0155.506	D	M6	32	14	20	10	10
K0155.508	D	M8	40	18	25	13	14
K0155.5101	D	M10	40	18	25	13	14
K0155.5081	D	M8	50	22	32	17	14
K0155.510	D	M10	50	22	32	17	14
K0155.5121	D	M12	50	22	32	17	18
K0155.5102	D	M10	63	26	40	21	14
K0155.512	D	M12	63	26	40	21	18
K0155.516	D	M16	63	26	40	21	18

## Star Grips

similar to DIN 6336



## KIPP Star Grips, similar to DIN 6336, drilled or reamed hole, style G and H, metric

Item No. Style G	Item No. Style H	D	D1	D8	H	H3	T
K0155.305Δ	K0155.105Δ	5	25	12	16	8	10
K0155.306Δ	K0155.106Δ	6	32	14	20	10	10
K0155.308Δ	K0155.108Δ	8	40	18	25	13	14
K0155.310Δ	K0155.110Δ	10	50	22	32	17	14
-	K0155.1101Δ	10	63	26	40	21	14
K0155.312Δ	K0155.112Δ	12	63	26	40	21	18

## KIPP Star Grips, similar to DIN 6336, internal thread, style K, metric

Item No.	Style	D	D1	D8	H	H3	T
K0155.204Δ	K	M4	25	12	16	8	10
K0155.205Δ	K	M5	25	12	16	8	10
K0155.2061Δ	K	M6	25	12	16	8	10
K0155.2051Δ	K	M5	32	14	20	10	10
K0155.206Δ	K	M6	32	14	20	10	10
K0155.208Δ	K	M8	40	18	25	13	14
K0155.2101Δ	K	M10	40	18	25	13	14
K0155.2081Δ	K	M8	50	22	32	17	14
K0155.210Δ	K	M10	50	22	32	17	14
K0155.2121Δ	K	M12	50	22	32	17	18
K0155.2102Δ	K	M10	63	26	40	21	14
K0155.212Δ	K	M12	63	26	40	21	18
K0155.216Δ	K	M16	63	26	40	21	18

## KIPP Star Grips, similar to DIN 6336, external thread, style L, metric

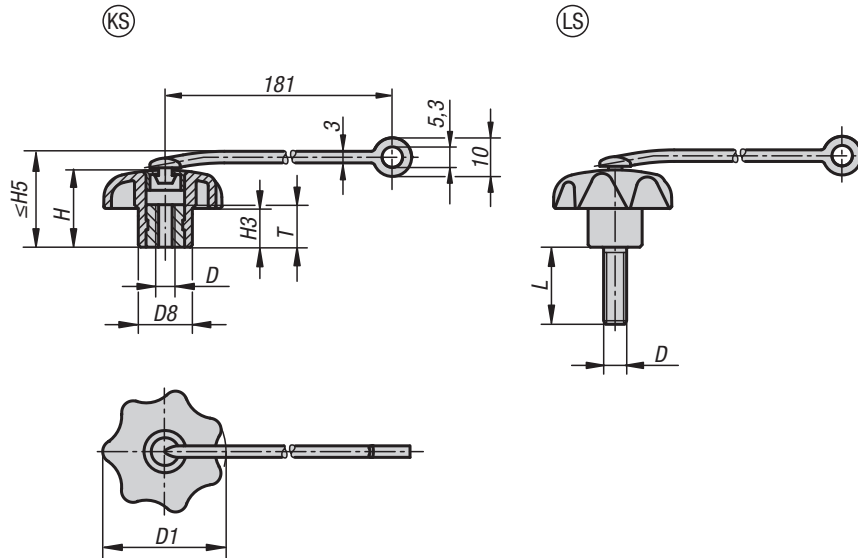
Item No.	Style	D	D1	D8	H	H3	L
K0155.405ΔX	L	M5	25	12	16	8	10/15/20/25/30/35/40/45/50/60
K0155.406ΔX	L	M6	25	12	16	8	10/15/20/25/30/35/40/45/50/60
K0155.4061ΔX	L	M6	32	14	20	10	10/15/20/25/30/35/40/45/50/60
K0155.408ΔX	L	M8	32	14	20	10	15/20/25/30/35/40/45/50/60
K0155.4081ΔX	L	M8	40	18	25	13	15/20/25/30/35/40/45/50/60
K0155.410ΔX	L	M10	40	18	25	13	15/20/25/30/35/40/45/50/60
K0155.4101ΔX	L	M10	50	22	32	17	15/20/25/30/35/40/45/50/60
K0155.412ΔX	L	M12	50	22	32	17	15/20/25/30/35/40/45/50/60
K0155.4102ΔX	L	M10	63	26	40	21	20/25/30/35/40/45/50/60
K0155.4121ΔX	L	M12	63	26	40	21	20/25/30/35/40/45/50/60
K0155.416ΔX	L	M16	63	26	40	21	30/35/40/45/50/60

## Star Grips with safety lanyard

similar to DIN 6336

INCH Parts METRIC Parts

Expanded Line



**Material:**

Black thermoplastic.  
Bushing and screw steel.  
Lanyard elastic TPU.

**Type:**

Bushing and screw bright.

**Part Number Example:**

K0155.7056X15 (cap color: traffic red; include length L)

Δ Add the desired cap color here.

No color code is required with a black cap color.

**Note:**

Attach the safety lanyard to a fixed base to prevent loss.

The star grip remains in the immediate vicinity of the object.

For the inch series, dimension D is in inches, all other dimensions are in mm.

**Assembly:**

Do not stretch the lanyard during assembly.

Make sure that the anchor is not too far from where the star grip is to be used.

**Accessories:**

The safety lanyard is also available as an accessory, see K0743.04190.

**Drawing reference:**

Style KS: tapped bushing with cap

Style LS: external thread



### KIPP Star grips with safety lanyard, steel, internal thread, style KS, inch

Item No.	Style	D	D1	D8	H	H3	H5 max.	T
K0155.6AEΔ	KS	8-32	25	12	16	8	22	10
K0155.6A1Δ	KS	10-32	25	12	16	8	22	10
K0155.6A21Δ	KS	1/4-20	25	12	16	8	22	10
K0155.6A11Δ	KS	10-32	32	14	20	10	26	10
K0155.6A2Δ	KS	1/4-20	32	14	20	10	26	10
K0155.6A3Δ	KS	5/16-18	40	18	25	13	31	14
K0155.6A41Δ	KS	3/8-16	40	18	25	13	31	14
K0155.6A31Δ	KS	5/16-18	50	22	32	17	38	14
K0155.6A4Δ	KS	3/8-16	50	22	32	17	38	14
K0155.6A51Δ	KS	1/2-13	50	22	32	17	38	18
K0155.6A42Δ	KS	3/8-16	63	26	40	21	46	14
K0155.6A5Δ	KS	1/2-13	63	26	40	21	46	18
K0155.6A6Δ	KS	5/8-11	63	26	40	21	46	18

# Star Grips with safety lanyard

similar to DIN 6336



## KIPP Star grips with safety lanyard, steel, external thread, style LS, inch

Item No.	Style	D	D1	D8	H	H3	H5 max.	L
K0155.7A1ΔX	LS	10-32	25	12	16	8	22	10/20
K0155.7A2ΔX	LS	1/4-20	25	12	16	8	22	20/30
K0155.7A21ΔX	LS	1/4-20	32	14	20	10	26	20/30
K0155.7A3ΔX	LS	5/16-18	32	14	20	10	26	20/40
K0155.7A31ΔX	LS	5/16-18	40	18	25	13	31	20/40
K0155.7A4ΔX	LS	3/8-16	40	18	25	13	31	20/40
K0155.7A41ΔX	LS	3/8-16	50	22	32	17	38	20/40
K0155.7A5ΔX	LS	1/2-13	50	22	32	17	38	30/60
K0155.7A42ΔX	LS	3/8-16	63	26	40	21	46	20/40
K0155.7A51ΔX	LS	1/2-13	63	26	40	21	46	30/60

## KIPP Star grips with safety lanyard, steel, internal thread, style KS, metric

Item No.	Style	D	D1	D8	H	H3	H5 max.	T
K0155.604Δ	KS	M4	25	12	16	8	22	10
K0155.605Δ	KS	M5	25	12	16	8	22	10
K0155.6051Δ	KS	M5	32	14	20	10	26	10
K0155.606Δ	KS	M6	32	14	20	10	26	10
K0155.6061Δ	KS	M6	25	12	16	8	22	10
K0155.608Δ	KS	M8	40	18	25	13	31	14
K0155.6081Δ	KS	M8	50	22	32	17	38	14
K0155.610Δ	KS	M10	50	22	32	17	38	14
K0155.6101Δ	KS	M10	40	18	25	13	31	14
K0155.6102Δ	KS	M10	63	26	40	21	46	14
K0155.612Δ	KS	M12	63	26	40	21	46	14
K0155.6121Δ	KS	M12	50	22	32	17	38	14
K0155.616Δ	KS	M16	63	26	40	21	46	14

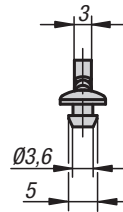
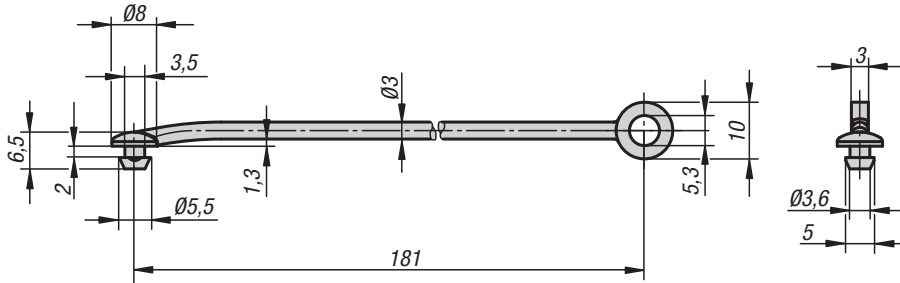
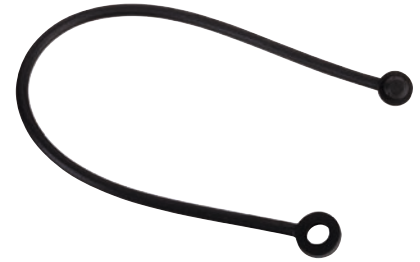
## KIPP Star grips with safety lanyard, steel, external thread, style LS, metric

Item No.	Style	D	D1	D8	H	H3	H5 max.	L
K0155.705ΔX	LS	M5	25	12	16	8	22	10/15/20/25/30/35/40/45/50/60
K0155.706ΔX	LS	M6	25	12	16	8	22	10/15/20/25/30/35/40/45/50/60
K0155.7061ΔX	LS	M6	32	14	20	10	26	10/15/20/25/30/35/40/45/50/60
K0155.708ΔX	LS	M8	32	14	20	10	26	15/20/25/30/35/40/45/50/60
K0155.7081ΔX	LS	M8	40	18	25	13	31	15/20/25/30/35/40/45/50/60
K0155.710ΔX	LS	M10	40	18	25	13	31	15/20/25/30/35/40/45/50/60
K0155.7101ΔX	LS	M10	50	22	32	17	38	15/20/25/30/35/40/45/50/60
K0155.712ΔX	LS	M12	50	22	32	17	38	15/20/25/30/35/40/45/50/60
K0155.7102ΔX	LS	M10	63	26	40	21	46	20/25/30/35/40/45/50/60
K0155.7121ΔX	LS	M12	63	26	40	21	46	20/25/30/35/40/45/50/60
K0155.716ΔX	LS	M16	63	26	40	21	46	30/35/40/45/50/60

## Safety Lanyard



METRIC  
Parts



**Material:**

Thermoplastic urethane TPU.

**Part Number Example:**

K0743.04190

**Note:**

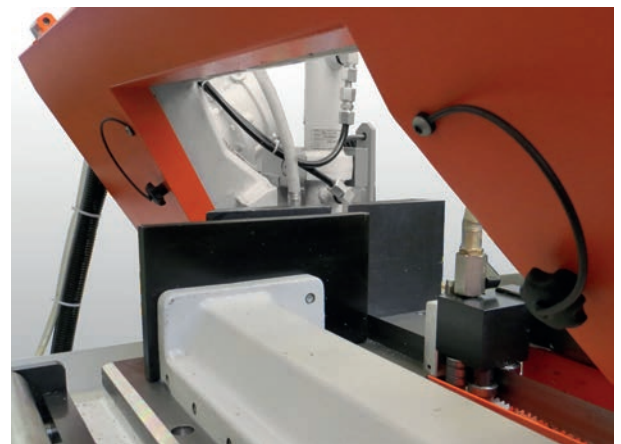
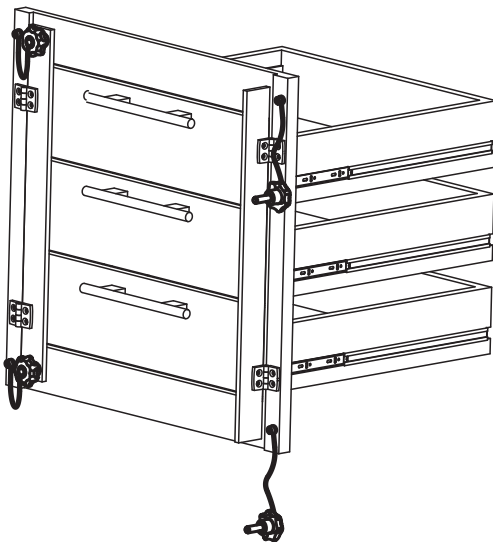
The safety lanyard is distinguished by its high elasticity and good rebound resilience. It was especially conceived for the star grips K0154 and K0155. Star grips K0154, K0155 and the knurled knobs K0260/K0261 and K0247 from our range can be retrofitted with this lanyard.

**Assembly:**

Recommended hole  $\text{Ø } 3.8_{-0.1}$ . The hole edge should be deburred. A Teflon-based lubricant is recommended to aid assembly.

**On request:**

Can be combined with other products.



**KIPP Safety lanyard**

Item No.	Dimensions
K0743.04190	see drawing



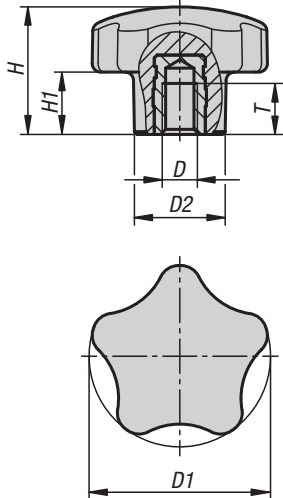
## Five Lobe Grips

with internal thread



INCH Parts    METRIC Parts

New Item



**Material:**

Thermoset PF 31.  
Steel or stainless steel.

**Type:**

Thermoset black, high-gloss polished.  
Trivalent blue passivated steel or bright stainless steel.

**Part Number Example:**

K1297.3205

**Note:**

For the inch series, dimension D is in inches, all other dimensions are in mm.

### KIPP Five lobe grips with internal thread, inch

Item No. free-cutting steel	D	D1	D2	H	H1	T
K1297.32A2	1/4-20	32	16	22,5	11	9
K1297.40A2	1/4-20	40	20	28	14	9
K1297.40A4	3/8-16	40	20	28	14	15
K1297.50A4	3/8-16	50	25	35	17,5	15
K1297.50A5	1/2-13	50	25	35	17,5	18
K1297.60A5	1/2-13	60	30	37	18,5	18

### KIPP Five lobe grips with internal thread, metric

Item No. free-cutting steel	Item No. stainless steel	D	D1	D2	H	H1	T
K1297.3205	K1297.13205	M5	32	16	22,5	11	7,5
K1297.3206	K1297.13206	M6	32	16	22,5	11	9
K1297.4006	K1297.14006	M6	40	20	28	14	9
K1297.4008	K1297.14008	M8	40	20	28	14	12
K1297.4010	K1297.14010	M10	40	20	28	14	15
K1297.5008	K1297.15008	M8	50	25	35	17,5	12
K1297.5010	K1297.15010	M10	50	25	35	17,5	15
K1297.6012	K1297.16012	M12	60	30	37	18,5	18

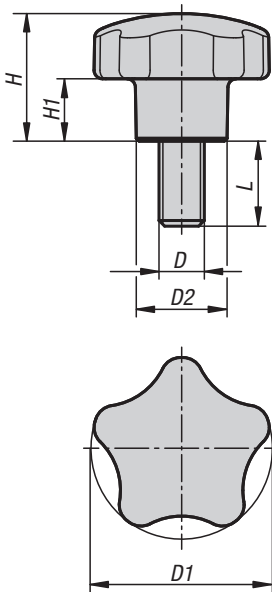
## Five Lobe Grips

with external thread



INCH Parts    METRIC Parts

New Item



**Material:**

Thermoset PF 31.  
Steel or stainless steel.

**Type:**

Thermoset black, high-gloss polished.  
Trivalent blue passivated steel or bright stainless steel.

**Part Number Example:**

K1298.3206X10 (include length L)

**Note:**

For the inch series, dimension D is in inches, all other dimensions are in mm.

**On request:**

Other screw lengths.

### KIPP Five lobe grips with external thread, inch

Item No. free-cutting steel	D	D1	D2	H	H1	L
K1298.32A2X	1/4-20	32	16	22,5	11	20/30
K1298.40A3X	5/16-18	40	20	28	14	40
K1298.50A4X	3/8-16	50	25	35	17,5	20/40

### KIPP Five lobe grips with external thread, metric

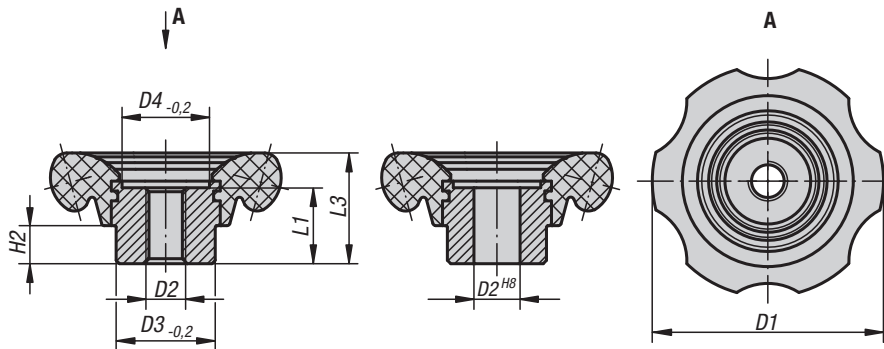
Item No. free-cutting steel	Item No. stainless steel	D	D1	D2	H	H1	L
K1298.3206X	K1298.13206X	M6	32	16	22,5	11	10/15/20/35
K1298.3208X	K1298.13208X	M8	32	16	22,5	11	15/25
K1298.4006X	K1298.14006X	M6	40	20	28	14	15
K1298.4008X	K1298.14008X	M8	40	20	28	14	15/20/25/30/35/45
K1298.4010X	K1298.14010X	M10	40	20	28	14	30
K1298.5008X	K1298.15008X	M8	50	25	35	17,5	15/25
K1298.5010X	K1298.15010X	M10	50	25	35	17,5	20/30/40/50
K1298.6012X	K1298.16012X	M12	60	30	37	18,5	30/40/50

## Six Lobe Knobs

Thermoset



INCH Parts    METRIC Parts



**Material:**

Six Lobe Knob thermoset PF 31.  
Bushing steel, black oxide finish.

**Type:**

High-gloss polished, black

**Part Number Example:**

K0184.701A3

**Note:**

For the inch series, dimension D is in inches, all other dimensions are in mm.

### KIPP Six Lobe Knobs, thermoset, inch

Item No.	Style	D1	D2	D3	D4	H2	L1	L3
K0184.701A3	internal thread	70	5/16-18	30	26,5	11,5	23	33,5
K0184.701A4	internal thread	70	3/8-16	30	26,5	11,5	23	33,5
K0184.831A5	internal thread	83	1/2-13	35	31,5	14	28	40
K0184.831A6	internal thread	83	5/8-11	35	31,5	14	28	40
K0184.702C0	reamed hole	70	0,375	30	26,5	11,5	23	33,5
K0184.702CP	reamed hole	70	0,5	30	26,5	11,5	23	33,5
K0184.832CP	reamed hole	83	0,5	35	31,5	14	28	40
K0184.832CQ	reamed hole	83	0,625	35	31,5	14	28	40

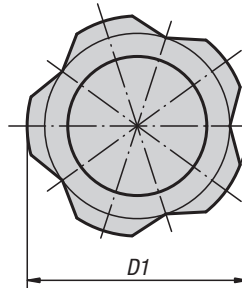
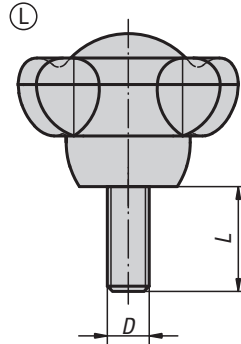
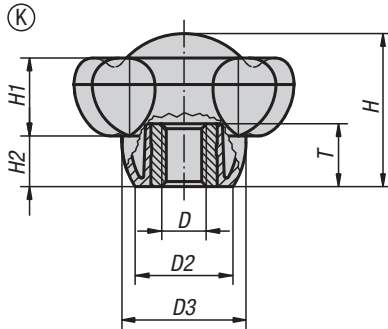
### KIPP Six Lobe Knobs, thermoset, metric

Item No.	Style	D1	D2	D3	D4	H2	L1	L3
K0184.70110	internal thread	70	M10	30	26,5	11,5	23	33,5
K0184.70112	internal thread	70	M12	30	26,5	11,5	23	33,5
K0184.83112	internal thread	83	M12	35	31,5	14	28	40
K0184.83116	internal thread	83	M16	35	31,5	14	28	40
K0184.70212	reamed hole	70	12H8	30	26,5	11,5	23	33,5
K0184.70214	reamed hole	70	14H8	30	26,5	11,5	23	33,5
K0184.83214	reamed hole	83	14H8	35	31,5	14	28	40
K0184.83216	reamed hole	83	16H8	35	31,5	14	28	40

## Five Lobe Grips



INCH Parts    METRIC Parts



**Material:**

Black thermoplastic.  
Bushing and screw steel quality class 5.8 or stainless steel 1.4305 (AISI 303 equivalent).

**Type:**

Lower part of grip black.  
Steel trivalent blue passivated, stainless steel bright.

**Part Number Example:**

K0255.50106X30  
(cap color traffic red; include length L)

Δ Add the desired cap color here; no color code is required for black gray caps.

**Note:**

The screw lengths 15, 35 and 45 are not available in stainless steel.

For the inch series, dimension D is in inches, all other dimensions are in mm.

black gray	light gray Δ = 5	traffic red Δ = 6	bright yellow Δ = 7
			
RAL 7021	RAL 7035	RAL 3020	RAL 1021

## Five Lobe Grips



## KIPP Five Lobe Grips, internal thread, inch

Item No. steel	Item No. stainless steel	D	D1	D2	D3	H	H1	H2	T
K0255.50A3Δ	K0255.50A31Δ	5/16-18	50	22,2	28,2	34,8	17,8	11,5	14
K0255.50A4Δ	K0255.50A41Δ	3/8-16	50	22,2	28,2	34,8	17,8	11,5	14
K0255.50A5Δ	K0255.50A51Δ	1/2-13	50	22,2	28,2	34,8	17,8	11,5	18
K0255.63A4Δ	K0255.63A41Δ	3/8-16	63	28	35,5	44	22,5	14,5	14
K0255.63A5Δ	K0255.63A51Δ	1/2-13	63	28	35,5	44	22,5	14,5	18
K0255.63A6Δ	-	5/8-11	63	28	35,5	44	22,5	14,5	18

## KIPP Five Lobe Grips, external thread, inch

Item No. steel	Item No. stainless steel	D	D1	D2	D3	H	H1	H2	L
K0255.50A4ΔX	K0255.50A41ΔX	3/8-16	50	22,2	28,2	34,8	17,8	11,5	20/40
K0255.50A5ΔX	-	1/2-13	50	22,2	28,2	34,8	17,8	11,5	30/60
K0255.63A4ΔX	K0255.63A41ΔX	3/8-16	63	28	35,5	44	22,5	14,5	20/40
K0255.63A5ΔX	-	1/2-13	63	28	35,5	44	22,5	14,5	30/60

## KIPP Five Lobe Grips, internal thread, metric

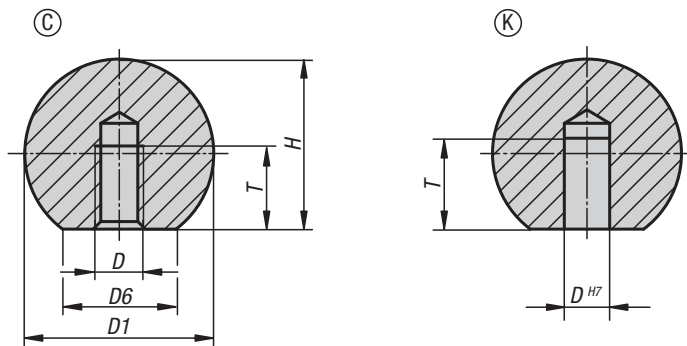
Item No. steel	Item No. stainless steel	D	D1	D2	D3	H	H1	H2	T
K0255.5008Δ	K0255.50081Δ	M8	50	22,2	28,2	34,8	17,8	11,5	14
K0255.5010Δ	K0255.50101Δ	M10	50	22,2	28,2	34,8	17,8	11,5	14
K0255.5012Δ	K0255.50121Δ	M12	50	22,2	28,2	34,8	17,8	11,5	18
K0255.6310Δ	K0255.63101Δ	M10	63	28	35,5	44	22,5	14,5	14
K0255.6312Δ	K0255.63121Δ	M12	63	28	35,5	44	22,5	14,5	18
K0255.6316Δ	-	M16	63	28	35,5	44	22,5	14,5	18

## KIPP Five Lobe Grips, external thread, metric

Item No. steel	Item No. stainless steel	D	D1	D2	D3	H	H1	H2	L
K0255.5010ΔX	K0255.50101ΔX	M10	50	22,2	28,2	34,8	17,8	11,5	15/20/25/30/35/40/45/50/60
K0255.5012ΔX	-	M12	50	22,2	28,2	34,8	17,8	11,5	15/20/25/30/35/40/45/50/60
K0255.6310ΔX	K0255.63101ΔX	M10	63	28	35,5	44	22,5	14,5	20/25/30/35/40/45/50/60
K0255.6312ΔX	-	M12	63	28	35,5	44	22,5	14,5	20/25/30/35/40/45/50/60

## Ball Knobs

in stainless steel or aluminum, DIN 319



**Material:**  
Aluminum.  
Stainless steel 1.4301 (AISI 304 equivalent) (Style C), 1.4305 (AISI 303 equivalent) (Style K).

**Type:**  
Polished.

**Part Number Example:**  
K0650.116AE3

**Note:**  
For the inch series, dimension D is in inches, all other dimensions are in mm.

**Drawing reference:**  
Style C: tapped hole  
Style K: reamed hole

### KIPP Ball Knobs in aluminum, DIN 319, inch

Item No.	Style	Main material	D	D1	D6	H	T
K0650.116AE2	C	aluminum	8-32	16	8	15	7,2
K0650.120A12	C	aluminum	10-32	20	12	18	9,1
K0650.125A22	C	aluminum	1/4-20	25	15	22,5	11
K0650.132A32	C	aluminum	5/16-18	32	18	29	14,5
K0650.140A42	C	aluminum	3/8-16	40	22	37	18
K0650.150A52	C	aluminum	1/2-13	50	28	46	21

### KIPP Ball Knobs in stainless steel, DIN 319, metric

Item No. Style C	Item No. Style K	Main material	D	D1	D6	H	T
K0650.116042	K0650.316042	aluminum	M4/6	16	8	15	7,2/10
K0650.120052	K0650.320052	aluminum	M5/8	20	12	18	9,1/12
K0650.125062	K0650.325062	aluminum	M6/10	25	15	22,5	11/16
K0650.132082	K0650.332082	aluminum	M8/12	32	18	29	14,5/20
K0650.140102	K0650.340102	aluminum	M10/16	40	22	37	18/25
K0650.150122	K0650.350122	aluminum	M12/20	50	28	46	21/32

### KIPP Ball Knobs in aluminum, DIN 319, metric

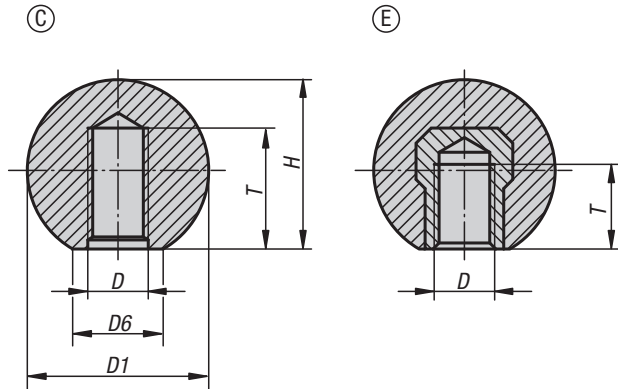
Item No. Style C	Item No. Style K	Main material	D	D1	D6	H	T
K0650.116044	K0650.316043	stainless steel	M4/6	16	8	15	7,2/10
K0650.120054	K0650.320053	stainless steel	M5/8	20	12	18	9,1/12
K0650.125064	K0650.325063	stainless steel	M6/10	25	15	22,5	11/16
K0650.132084	K0650.332083	stainless steel	M8/12	32	18	29	14,5/20
K0650.140104	K0650.340103	stainless steel	M10/16	40	22	37	18/25
K0650.150124	K0650.350123	stainless steel	M12/20	50	28	46	21/32

## Ball Knobs

thermoplastic, DIN 319 enhanced



METRIC  
Parts



**Material:**  
Black thermoplastic.  
Bushing steel.

**Type:**  
Steel electro zinc-plated.

**Part Number Example:**  
K0158.11604

**On request:**  
Other colors.

**Drawing reference:**  
Form C: plastic thread  
Form E: tapped bushing

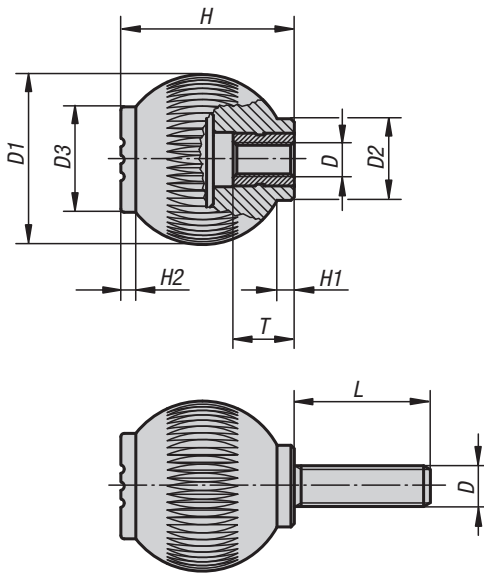
### KIPP Ball Knobs in thermoplastic to DIN 319 extended, metric

Item No.	Style	D	D1	D6	H	T
K0158.11604	C	M4	16	8	15	6
K0158.11605	C	M5	16	8	15	7,5
K0158.12005	C	M5	20	12	18	7,5
K0158.12006	C	M6	20	12	18	9
K0158.12506	C	M6	25	15	22,5	9
K0158.12508	C	M8	25	15	22,5	12
K0158.13208	C	M8	32	18	29	12
K0158.13210	C	M10	32	18	29	15
K0158.22005	E	M5	20	12	18	7,5
K0158.22006	E	M6	20	12	18	7,5
K0158.22506	E	M6	25	15	22,5	9
K0158.22508	E	M8	25	15	22,5	9
K0158.23208	E	M8	32	18	29	12
K0158.23210	E	M10	32	18	29	12

## Ball Grips



INCH Parts    METRIC Parts



**Material:**

Black thermoplastic.  
Bushing and screw steel quality class 5.8 or stainless steel 1.4305 (AISI 303 equivalent).

**Type:**

Lower part of grip black.  
Steel trivalent blue passivated, stainless steel bright.

**Part Number Example:**

K0253.1A26X20  
(cap color traffic red; include dimension L)

Δ Add the desired cap color here.

No color code is required for black gray caps.

**Note:**

For the inch series, dimension D is in inches, all other dimensions are in mm.





## KIPP Ball Grips, internal thread, inch

Item No. steel	Item No. stainless steel	Size	D	D1	D2	D3	H	H1	H2	T
K0253.1A2Δ	K0253.01A2Δ	1	1/4-20	25	12	17	25	3	2	10
K0253.2A3Δ	K0253.02A3Δ	2	5/16-18	32	15,5	19	33	3,5	2,6	14
K0253.3A4Δ	K0253.03A4Δ	3	3/8-16	40	19	23	41,5	4	3	14
K0253.4A4Δ	K0253.04A4Δ	4	3/8-16	50	24	31	51	5,5	4,5	14
K0253.4A5Δ	K0253.04A5Δ	4	1/2-13	50	24	31	51	5,5	4,5	18

## KIPP Ball Grips, external thread, inch

Item No. steel	Item No. stainless steel	Size	D	D1	D2	D3	H	H1	H2	L
K0253.1A2ΔX	K0253.01A2ΔX	1	1/4-20	25	12	17	25	3	2	20/30
K0253.2A3ΔX	K0253.02A3ΔX	2	5/16-18	32	15,5	19	33	3,5	2,6	20/40
K0253.3A4ΔX	K0253.03A4ΔX	3	3/8-16	40	19	23	41,5	4	3	20/40
K0253.4A4ΔX	K0253.04A4ΔX	4	3/8-16	50	24	31	51	5,5	4,5	20/40/30/60
K0253.4A5ΔX	-	4	1/2-13	50	24	31	51	5,5	4,5	20/40/30/60

## KIPP Ball Grips, internal thread, metric

Item No. steel	Item No. stainless steel	Size	D	D1	D2	D3	H	H1	H2	T
K0253.106Δ	K0253.0106Δ	1	M6	25	12	17	25	3	2	10
K0253.208Δ	K0253.0208Δ	2	M8	32	15,5	19	33	3,5	2,6	14
K0253.310Δ	K0253.0310Δ	3	M10	40	19	23	41,5	4	3	14
K0253.410Δ	K0253.0410Δ	4	M10	50	24	31	51	5,5	4,5	14
K0253.412Δ	K0253.0412Δ	4	M12	50	24	31	51	5,5	4,5	18

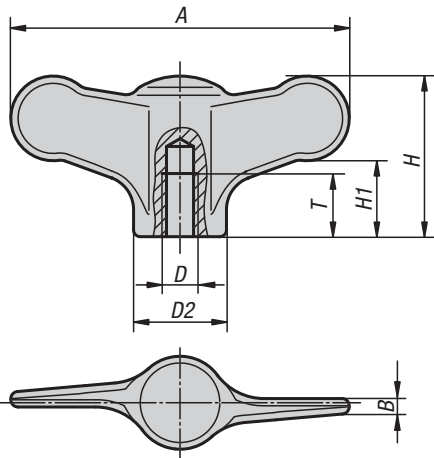
## KIPP Ball Grips, external thread, metric

Item No. steel	Item No. stainless steel	Size	D	D1	D2	D3	H	H1	H2	L
K0253.106ΔX	K0253.0106ΔX	1	M6	25	12	17	25	3	2	15/20/25/30
K0253.208ΔX	K0253.0208ΔX	2	M8	32	15,5	19	33	3,5	2,6	20/25/30/40
K0253.310ΔX	K0253.0310ΔX	3	M10	40	19	23	41,5	4	3	20/30/40
K0253.410ΔX	K0253.0410ΔX	4	M10	50	24	31	51	5,5	4,5	20/30/40
K0253.412ΔX	K0253.0412ΔX	4	M12	50	24	31	51	5,5	4,5	20/30/40

K0273

# Wing Grips

stainless steel



**Material:**

Stainless steel 1.4308 (AISI "316" equivalent).

**Type:**

Abrasive blasted or ground and polished.

**Part Number Example:**

K0273.9AE

**Note:**

Wings offset for a more comfortable, ergonomic grip.

For the inch series, dimension D is in inches, all other dimensions are in mm.

**On request:**

Wing Grips with external threads.

## Wing Grips

stainless steel



## KIPP Wing Grips, stainless steel, internal thread, inch

Item No.	Finish	A	B	D	D2	H	H1	T
K0273.9AE	polished	38	1,7	8-32	10,5	18	8,5	9
K0273.9A1	polished	38	1,7	10-32	10,5	18	8,5	9
K0273.9A2	polished	38	1,7	1/4-20	10,5	18	8,5	9
K0273.1A0	polished	50	2,3	10-24	14	24	11,5	10
K0273.1A1	polished	50	2,3	10-32	14	24	11,5	12
K0273.1A2	polished	50	2,3	1/4-20	14	24	11,5	10
K0273.2A3	polished	75	3,4	5/16-18	21	35	16,5	14
K0273.2A4	polished	75	3,4	3/8-16	21	35	16,5	14
K0273.9AE1	blasted	38	1,7	8-32	10,5	18	8,5	9
K0273.9A11	blasted	38	1,7	10-32	10,5	18	8,5	9
K0273.9A21	blasted	38	1,7	1/4-20	10,5	18	8,5	9
K0273.1A01	blasted	50	2,3	10-24	14	24	11,5	12
K0273.1A11	blasted	50	2,3	10-32	14	24	11,5	12
K0273.1A21	blasted	50	2,3	1/4-20	14	24	11,5	12
K0273.2A31	blasted	75	3,4	5/16-18	21	35	16,5	15
K0273.2A41	blasted	75	3,4	3/8-16	21	35	16,5	15

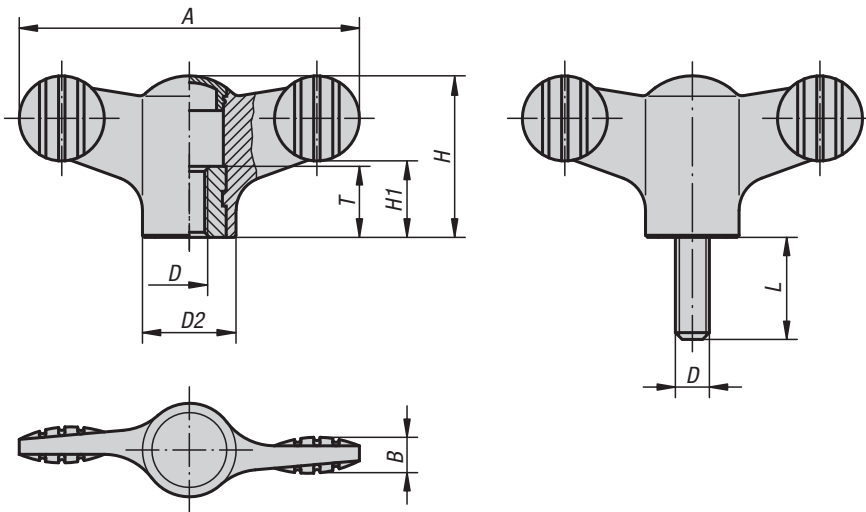
## KIPP Wing Grips, stainless steel, internal thread, metric

Item No.	Finish	A	B	D	D2	H	H1	T
K0273.904	polished	38	1,7	M4	10,5	18	8,5	9
K0273.905	polished	38	1,7	M5	10,5	18	8,5	9
K0273.906	polished	38	1,7	M6	10,5	18	8,5	9
K0273.105	polished	50	2,3	M5	14	24	11,5	12
K0273.106	polished	50	2,3	M6	14	24	11,5	12
K0273.208	polished	75	3,4	M8	21	35	16,5	15
K0273.210	polished	75	3,4	M10	21	35	16,5	15
K0273.9041	blasted	38	1,7	M4	10,5	18	8,5	9
K0273.9051	blasted	38	1,7	M5	10,5	18	8,5	9
K0273.9061	blasted	38	1,7	M6	10,5	18	8,5	9
K0273.1051	blasted	50	2,3	M5	14	24	11,5	12
K0273.1061	blasted	50	2,3	M6	14	24	11,5	12
K0273.2081	blasted	75	3,4	M8	21	35	16,5	15
K0273.2101	blasted	75	3,4	M10	21	35	16,5	15

## Wing Grips



INCH Parts    METRIC Parts



**Material:**

Grip black thermoplastic.  
Bushing and screw quality class 5.8 steel or stainless steel 1.4305 (AISI 303 equivalent).

**Type:**

Bushing and screw trivalent blue passivated steel or bright stainless steel.

**Part Number Example:**


K0274.9AE7X10  
(cap color bright yellow; include length L)

Δ Add the desired cap color here.  
No color code is required for black gray caps.

**Note:**

For the inch series, dimension D is in inches, all other dimensions are in mm.

Wings offset for a more comfortable, ergonomic grip.

black gray  RAL 7021	light gray Δ = 5  RAL 7035	traffic red Δ = 6  RAL 3020	bright yellow Δ = 7  RAL 1021
---	---	--	--

## KIPP Wing Grips, internal thread, inch

Item No. steel	Item No. stainless steel	D	D2	A	B	H	H1	T
K0274.9AEΔ	K0274.09AEΔ	8-32	12	38	4,5	18	8,5	10
K0274.9A1Δ	K0274.09A1Δ	10-32	12	38	4,5	18	8,5	10
K0274.9A2Δ	K0274.09A2Δ	1/4-20	12	38	4,5	18	8,5	10
K0274.1A1Δ	K0274.01A1Δ	10-32	14	50	5	24	11,5	10
K0274.1A2Δ	K0274.01A2Δ	1/4-20	14	50	5	24	11,5	10
K0274.2A3Δ	K0274.02A3Δ	5/16-18	21	75	7	35,6	16,5	14
K0274.2A4Δ	K0274.02A4Δ	3/8-16	21	75	7	35,6	16,5	14

## KIPP Wing Grips, external thread, inch

Item No. steel	Item No. stainless steel	D	D2	A	B	H	H1	L
K0274.9AEΔX	K0274.09AEΔX	8-32	12	38	4,5	18	8,5	10/20
K0274.9A1ΔX	K0274.09A1ΔX	10-32	12	38	4,5	18	8,5	10/20
K0274.9A2ΔX	K0274.09A2ΔX	1/4-20	12	38	4,5	18	8,5	20/30/40
K0274.1A1ΔX	K0274.01A1ΔX	10-32	14	50	5	24	11,5	10/20
K0274.1A2ΔX	K0274.01A2ΔX	1/4-20	14	50	5	24	11,5	20/30/40
K0274.1A3ΔX	K0274.01A3ΔX	5/16-18	14	50	5	24	11,5	20/40
K0274.2A3ΔX	K0274.02A3ΔX	5/16-18	21	75	7	35,6	16,5	20/40
K0274.2A4ΔX	K0274.02A4ΔX	3/8-16	21	75	7	35,6	16,5	20/40

## KIPP Wing Grips, internal thread, metric

Item No. steel	Item No. stainless steel	D	D2	A	B	H	H1	T
K0274.904Δ	K0274.0904Δ	M4	12	38	4,5	18	8,5	10
K0274.905Δ	K0274.0905Δ	M5	12	38	4,5	18	8,5	10
K0274.906Δ	K0274.0906Δ	M6	12	38	4,5	18	8,5	10
K0274.105Δ	K0274.0105Δ	M5	14	50	5	24	11,5	10
K0274.106Δ	K0274.0106Δ	M6	14	50	5	24	11,5	10
K0274.208Δ	K0274.0208Δ	M8	21	75	7	35,6	16,5	14
K0274.210Δ	K0274.0210Δ	M10	21	75	7	35,6	16,5	14

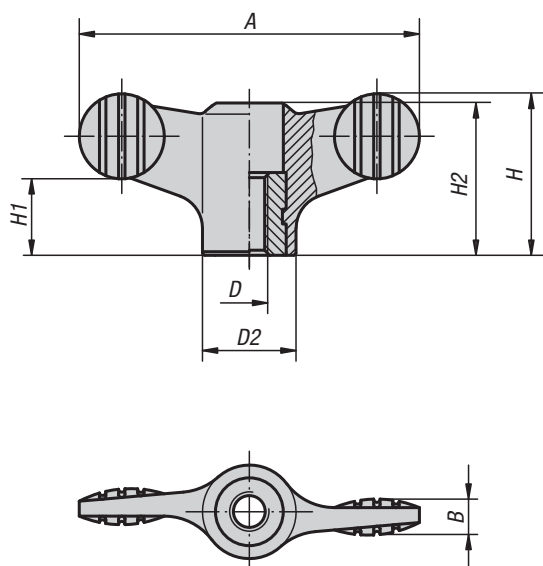
## KIPP NOVO grip Wing Grips, external thread, metric

Item No. steel	Item No. stainless steel	D	D2	A	B	H	H1	L
K0274.904ΔX	K0274.0904ΔX	M4	12	38	4,5	18	8,5	10/15
K0274.905ΔX	K0274.0905ΔX	M5	12	38	4,5	18	8,5	15/20/30
K0274.906ΔX	K0274.0906ΔX	M6	12	38	4,5	18	8,5	20/30/40
K0274.105ΔX	K0274.0105ΔX	M5	14	50	5	24	11,5	15/20
K0274.106ΔX	K0274.0106ΔX	M6	14	50	5	24	11,5	20/30/40
K0274.108ΔX	K0274.0108ΔX	M8	14	50	5	24	11,5	20/30/40
K0274.208ΔX	K0274.0208ΔX	M8	21	75	7	35,6	16,5	20/30/40
K0274.210ΔX	K0274.0210ΔX	M10	21	75	7	35,6	16,5	20/30/40/50

## Wing Grips

with tapped through internal thread

INCH Parts    METRIC Parts



**Material:**

Grip thermoplastic.  
Bushing steel quality class 5.8 or stainless steel 1.4305 (AISI 303 equivalent).

**Type:**

Grip black.  
Bushing trivalent blue passivated steel or bright stainless steel.

**Part Number Example:**

K0274.19AE

**Note:**

For the inch series, dimension D is in inches, all other dimensions are in mm.

Wings offset for a more comfortable, ergonomic grip.

### KIPP Wing Grips with tapped through internal thread, inch

Item No. steel	Item No. stainless steel	D	D2	A	B	H	H1	H2
K0274.19AE	K0274.109AE	8-32	12	38	4,5	18	8,5	16,1
K0274.19A1	K0274.109A1	10-32	12	38	4,5	18	8,5	16,1
K0274.19A2	K0274.109A2	1/4-20	12	38	4,5	18	8,5	16,1
K0274.11A1	K0274.101A1	10-32	14	50	5	24	11,5	22
K0274.11A2	K0274.101A2	1/4-20	14	50	5	24	11,5	22
K0274.12A3	K0274.102A3	5/16-18	21	75	7	35,6	17	33,3
K0274.12A4	K0274.102A4	3/8-16	21	75	7	35,6	17	33,3

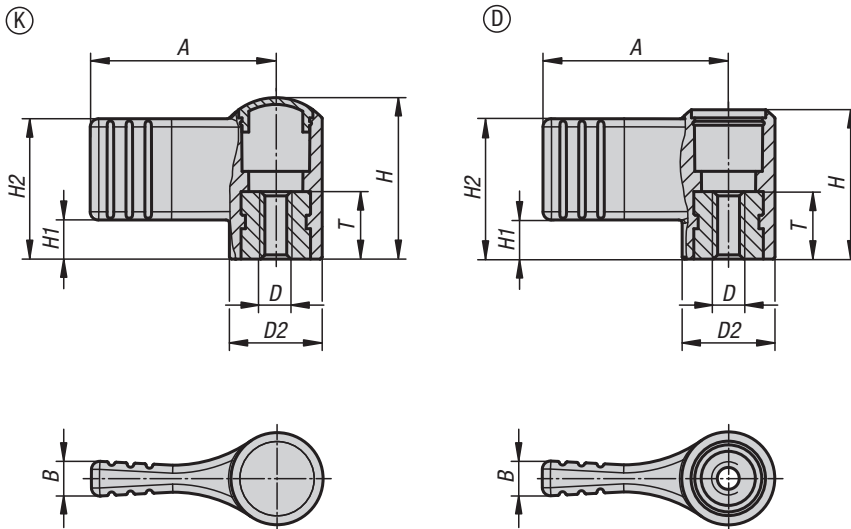
### KIPP Wing Grips with tapped through internal thread, metric

Item No. steel	Item No. stainless steel	D	D2	A	B	H	H1	H2
K0274.1904	K0274.10904	M4	12	38	4,5	18	8,5	16,1
K0274.1905	K0274.10905	M5	12	38	4,5	18	8,5	16,1
K0274.1906	K0274.10906	M6	12	38	4,5	18	8,5	16,1
K0274.1105	K0274.10105	M5	14	50	5	24	11,5	22
K0274.1106	K0274.10106	M6	14	50	5	24	11,5	22
K0274.1208	K0274.10208	M8	21	75	7	35,6	17	33,3
K0274.1210	K0274.10210	M10	21	75	7	35,6	17	33,3

## Wing Grips one-sided



METRIC  
Parts



**Material:**

Grip thermoplastic.  
Bushing quality class 5.8 steel or stainless steel 1.4305 (AISI 303 equivalent).

**Type:**

Grip black gray.  
Bushing trivalent blue passivated steel or bright stainless steel.

**Part Number Example:**

K0608.09046  
(M4 stainless steel bushing, cap traffic red.)

Δ Add the desired cap color here.

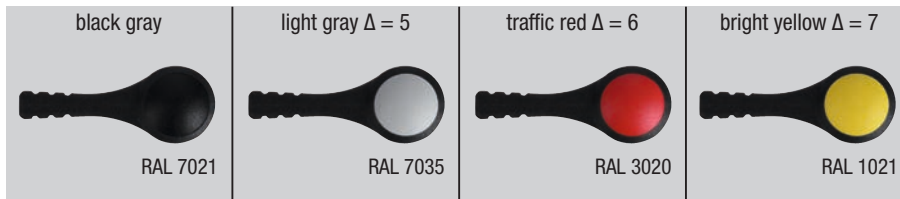
No color code is required for black gray caps.

**Note:**

Wings offset for a more comfortable, ergonomic grip.

**Drawing reference:**

Style K with cap.  
Style D without cap.



### KIPP Wing Grips, one-sided with cap, metric

Item No. steel	Item No. stainless steel	Style	D	D2	A	B	H	H1	H2	T
K0608.904Δ	K0608.0904Δ	K	M4	12	22	4,4	18	4,5	15,5	10
K0608.905Δ	K0608.0905Δ	K	M5	12	22	4,4	18	4,5	15,5	10
K0608.906Δ	K0608.0906Δ	K	M6	12	22	4,4	18	4,5	15,5	10
K0608.105Δ	K0608.0105Δ	K	M5	14	27,5	5,1	24	5,8	20,8	10
K0608.106Δ	K0608.0106Δ	K	M6	14	27,5	5,1	24	5,8	20,8	10
K0608.208Δ	K0608.0208Δ	K	M8	21	37,5	6,3	36	8,5	30,5	14
K0608.210Δ	K0608.0210Δ	K	M10	21	37,5	6,3	36	8,5	30,5	14

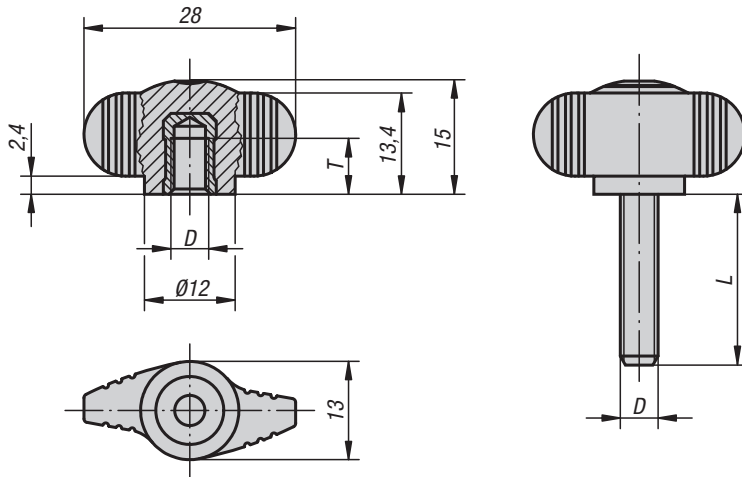
### KIPP Wing grips, one-sided without cap, metric

Item No. steel	Item No. stainless steel	Style	A	B	D	D2	H	H1	H2	T
K0608.1904	K0608.10904	D	22	4,4	M4	12	16,1	4,5	15,5	10
K0608.1905	K0608.10905	D	22	4,4	M5	12	16,1	4,5	15,5	10
K0608.1906	K0608.10906	D	22	4,4	M6	12	16,1	4,5	15,5	10
K0608.1105	K0608.10105	D	27,5	5,1	M5	14	22,1	5,8	20,8	10
K0608.1106	K0608.10106	D	27,5	5,1	M6	14	22,1	5,8	20,8	10
K0608.1208	K0608.10208	D	37,5	6,3	M8	21	33,3	8,5	30,5	14
K0608.1210	K0608.10210	D	37,5	6,3	M10	21	33,3	8,5	30,5	14

## Mini Wings



INCH Parts    METRIC Parts



**Material:**

Grip black thermoplastic.  
 Bushing brass or stainless steel 1.4305 (AISI 303 equivalent).  
 Screw quality class 5.8 steel or stainless steel 1.4305 (AISI 303 equivalent).

**Type:**

Steel trivalent blue passivated.  
 Stainless steel bright.

**Part Number Example:**

K0274.OAEX10 (include length L)

**Note:**

For the inch series, dimension D is in inches, all other dimensions are in mm.  
 Wings offset for a more comfortable, ergonomic grip.

### KIPP Mini Wings, external thread, inch

Item No.	Thread material	D	L
K0274.OAEX	steel	8-32	10/20
K0274.OA1X	steel	10-32	10/20
K0274.OA2X	steel	1/4-20	20/30
K0274.OA3X	steel	5/16-18	20/40
K0274.OOAEX	stainless steel	8-32	10/20
K0274.OOA1X	stainless steel	10-32	10/20
K0274.OOA2X	stainless steel	1/4-20	20/30
K0274.OOA3X	stainless steel	5/16-18	20/40

### KIPP Mini Wings, internal thread, inch

Item No.	Bushing material	D	T
K0274.OAE	brass	8-32	6
K0274.OA1	brass	10-32	7,5
K0274.OA2	brass	1/4-20	9
K0274.OOAE	stainless steel	8-32	6
K0274.OOA1	stainless steel	10-32	7,5
K0274.OOA2	stainless steel	1/4-20	9

### KIPP Mini Wings, external thread, metric

Item No.	Thread material	D	L
K0274.004X	steel	M4	8
K0274.005X	steel	M5	10/15/20
K0274.006X	steel	M6	10/15/20/25/30
K0274.008X	steel	M8	20/25/30/40
K0274.0004X	stainless steel	M4	8
K0274.0005X	stainless steel	M5	10/15/20
K0274.0006X	stainless steel	M6	10/15/20/25/30
K0274.0008X	stainless steel	M8	20/25/30/40

### KIPP Mini Wings, internal thread, metric

Item No.	Bushing material	D	T
K0274.004	brass	M4	6
K0274.005	brass	M5	7,5
K0274.006	brass	M6	9
K0274.0004	stainless steel	M4	6
K0274.0005	stainless steel	M5	7,5
K0274.0006	stainless steel	M6	9

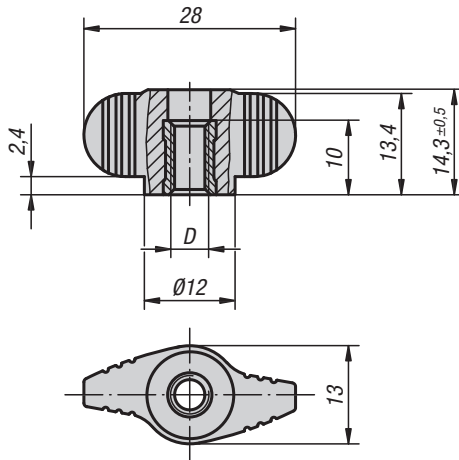


## Mini Wings

with tapped through internal thread



INCH Parts    METRIC Parts



**Material:**

Grip thermoplastic.  
Bushing steel quality class 5.8 or stainless steel 1.4305 (AISI 303 equivalent).

**Type:**

Grip black.  
Steel trivalent blue passivated.  
Stainless steel bright.

**Part Number Example:**

K0658.10AE

**Note:**

For the inch series, dimension D is in inches, all other dimensions are in mm.

Wings offset for a more comfortable, ergonomic grip.

### KIPP Mini Wings with tapped through internal thread, inch

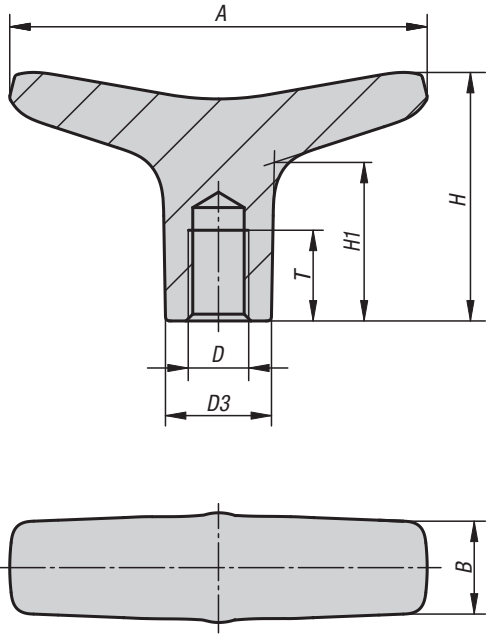
Item No.	Component material	D
K0658.10AE	steel	8-32
K0658.10A1	steel	10-32
K0658.10A2	steel	1/4-20
K0658.100AE	stainless steel	8-32
K0658.100A1	stainless steel	10-32
K0658.100A2	stainless steel	1/4-20

### KIPP Mini Wings with tapped through internal thread, metric

Item No.	Component material	D
K0658.1004	steel	M4
K0658.1005	steel	M5
K0658.1006	steel	M6
K0658.10004	stainless steel	M4
K0658.10005	stainless steel	M5
K0658.10006	stainless steel	M6

## T-grips

in stainless steel



**Material:**

Stainless steel 1.4308 (AISI "316" equivalent).

**Type:**

Electropolished or abrasive blasted.

**Part Number Example:**

K1203.55061

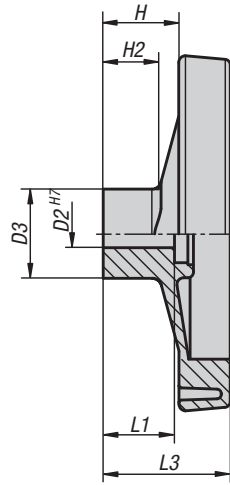
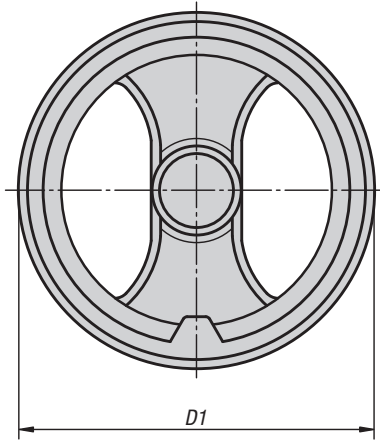
### KIPP T-grips stainless steel

Item No.	Finish	A	B	D	D3	H	H1	T
K1203.55061	blasted	55,2	12,3	M6	14	32,9	21	12
K1203.55081	blasted	55,2	12,3	M8	14	32,9	21	12
K1203.65061	blasted	65,3	14	M6	16	37	22,7	16
K1203.65081	blasted	65,3	14	M8	16	37	22,7	16
K1203.65101	blasted	65,3	14	M10	16	37	22,7	16
K1203.75101	blasted	75,3	17,8	M10	20	41,2	24,9	16
K1203.75121	blasted	75,3	17,8	M12	20	41,2	24,9	16
K1203.55062	electropolished	55,2	12,3	M6	14	32,9	21	12
K1203.55082	electropolished	55,2	12,3	M8	14	32,9	21	12
K1203.65062	electropolished	65,3	14	M6	16	37	22,7	16
K1203.65082	electropolished	65,3	14	M8	16	37	22,7	16
K1203.65102	electropolished	65,3	14	M10	16	37	22,7	16
K1203.75102	electropolished	75,3	17,8	M10	20	41,2	24,9	16
K1203.75122	electropolished	75,3	17,8	M12	20	41,2	24,9	16

## Handwheels 2-spoke

plastic

INCH Parts  
METRIC Parts



**Material:**  
Handwheel, reinforced and stabilized polyamide.  
Center cap, polyamide.  
Center bushing, steel.

**Type:**  
Handwheel, oil and grease resistant, black (RAL 9011), satin finish.  
Center cap, gray (RAL 7035).  
Center bushing, black oxide finish (metric) or electro zinc-plated (inch).

**Part Number Example:**  
K0725.0080X08

**Note:**  
The H7 tolerance for the bore D2 in the drawing is only for metric handwheels; inch handwheels have an H10 tolerance.  
For the inch series, dimension D2 is in inches, all other dimensions are in mm.

**On request:**  
Other cap colors.  
Special versions.

### KIPP Handwheels 2-spoke, plastic, inch

Item No.	D1	D2	D3	H	H2	L1	L3
K0725.0080XCN	80	0,312	24,5	20	16	20	34
K0725.0100XCO	99	0,375	28	25,5	20	24	42
K0725.0100XCQ	99	0,625	28	25,5	20	24	42
K0725.0130XCN	129	0,312	32	30	21	24	50
K0725.0130XCO	129	0,375	32	30	21	24	50
K0725.0160XCO	159	0,375	40	33	22	32	57
K0725.0160XCP	159	0,5	40	33	22	32	57
K0725.0160XCQ	159	0,625	40	33	22	32	57
K0725.0200XCO	198	0,375	51	31	17,5	32	60
K0725.0200XCQ	198	0,625	51	31	17,5	32	60
K0725.0250XCQ	252	0,625	55,5	39,5	24	36	71

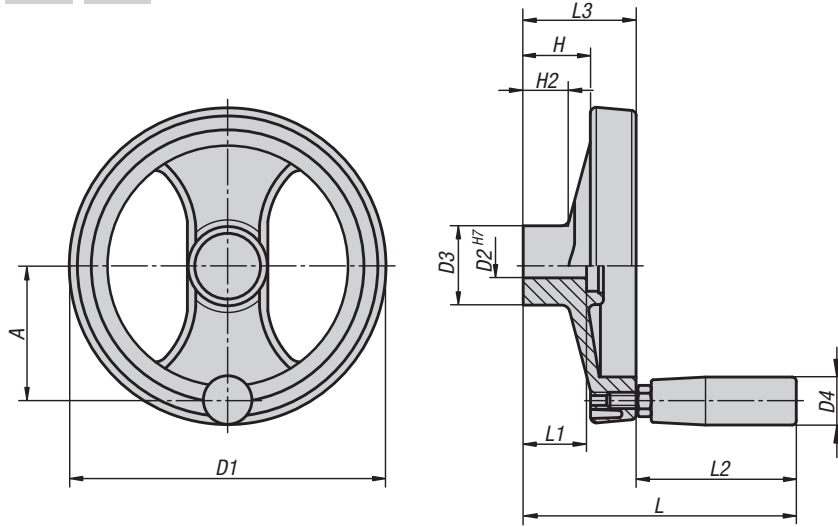
### KIPP Handwheels 2-spoke, plastic, metric

Item No.	D1	D2	D3	H	H2	L1	L3
K0725.0080X08	80	8H7	24,5	20	16	20	34
K0725.0080X10	80	10H7	24,5	20	16	20	34
K0725.0100X10	99	10H7	28	25,5	20	24	42
K0725.0100X12	99	12H7	28	25,5	20	24	42
K0725.0130X12	129	12H7	32	30	21	24	50
K0725.0130X14	129	14H7	32	30	21	24	50
K0725.0160X14	159	14H7	40	33	22	32	57
K0725.0160X16	159	16H7	40	33	22	32	57
K0725.0200X16	198	16H7	51	31	17,5	32	60
K0725.0200X20	198	20H7	51	31	17,5	32	60
K0725.0250X20	252	20H7	55,5	39,5	24	36	71
K0725.0250X24	252	24H7	55,5	39,5	24	36	71
K0725.0345X20	346	20H7	67,5	42	24	32	79

## Handwheels 2-spoke

plastic, with revolving grip

INCH Parts    METRIC Parts



### Material:

Handwheel, reinforced and stabilized polyamide.  
Center cap, polyamide.  
Center bushing, steel.  
Tapped insert for cylinder grip, brass.



### Type:

Handwheel, oil and grease resistant, black (RAL 9011), satin finish.  
Center cap, gray (RAL 7035).  
Center bushing, black oxide finish (metric) or electro zinc-plated (inch).

### Part Number Example:

K0725.4080X08

### Note:

The H7 tolerance for the bore D2 in the drawing is only for metric handwheels; inch handwheels have an H10 tolerance. For the inch series, dimension D2 is in inches, all other dimensions are in mm.

### On request:

Other cap colors.  
Special versions.

### KIPP Handwheels 2-spoke, plastic, with revolving grip, inch

Item No.	D1	D2	D3	D4	H	H2	A	L	L1	L2	L3
K0725.4080XCN	80	0,312	24,5	20	20	16	30	85	20	51	34
K0725.4100XCO	99	0,375	28	20	25,5	20	38	93	24	51	43
K0725.4100XCP	99	0,5	28	20	25,5	20	38	93	24	51	43
K0725.4130XCN	129	0,312	32	23	30	21	55	112	24	62	50
K0725.4130XCO	129	0,375	32	23	30	21	55	112	24	62	50
K0725.4160XCO	159	0,375	40	23	33	22	66	119	32	62	57
K0725.4160XCP	159	0,5	40	23	33	22	66	119	32	62	57
K0725.4160XCQ	159	0,625	40	23	33	22	66	119	32	62	57
K0725.4200XCQ	198	0,625	51	26	31	17,5	82	141	32	81	60
K0725.4250XCR	252	0,75	55,5	27	39,5	24	113	163	36	92	71

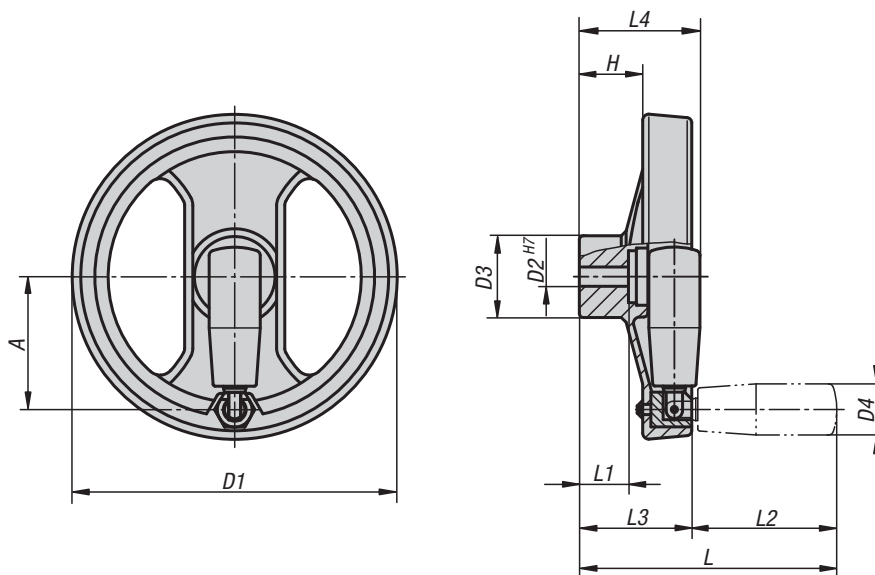
### KIPP Handwheels 2-spoke, plastic, with revolving grip, metric

Item No.	D1	D2	D3	D4	H	H2	A	L	L1	L2	L3
K0725.4080X08	80	8H7	24,5	20	20	16	30	85	20	51	34
K0725.4080X10	80	10H7	24,5	20	20	16	30	85	20	51	34
K0725.4100X10	99	10H7	28	20	25,5	20	38	93	24	51	43
K0725.4100X12	99	12H7	28	20	25,5	20	38	93	24	51	43
K0725.4130X12	129	12H7	32	23	30	21	55	112	24	62	50
K0725.4130X14	129	14H7	32	23	30	21	55	112	24	62	50
K0725.4160X14	159	14H7	40	23	33	22	66	119	32	62	57
K0725.4160X16	159	16H7	40	23	33	22	66	119	32	62	57
K0725.4200X16	198	16H7	51	26	31	17,5	82	141	32	81	60
K0725.4200X20	198	20H7	51	26	31	17,5	82	141	32	81	60
K0725.4250X20	252	20H7	55,5	27	39,5	24	113	163	36	92	71
K0725.4250X24	252	24H7	55,5	27	39,5	24	113	163	36	92	71
K0725.4345X20	346	20H7	67,5	27	42	24	146	171	32	92	79

## Handwheels 2-spoke

plastic, with fold-down grip

INCH Parts  
METRIC Parts



**Material:**

Handwheel, reinforced and stabilized polyamide.  
Center cap, polyamide.  
Center bushing and tapped insert for cylinder grip, steel.

**Type:**

Handwheel, oil and grease resistant, black (RAL 9011), satin finish.  
Center cap, gray (RAL 7035).  
Center bushing and tapped insert for folding grip, black oxide finish (metric) or electro zinc-plated (inch).

**Part Number Example:**

K0725.6130X12

**Note:**

The H7 tolerance for the bore D2 in the drawing is only for metric handwheels; inch handwheels have an H10 tolerance. For the inch series, dimension D2 is in inches, all other dimensions are in mm.

**On request:**

Other cap colors.  
Special versions.

**KIPP Handwheels 2-spoke, plastic, with fold-down grip, inch**

Item No.	D1	D2	D3	D4	A	H	L	L1	L2	L3	L4
K0725.6130XCN	129	0,312	32	20	51	29	111	20	59	52	53
K0725.6130XCO	129	0,375	32	20	51	29	111	20	59	52	53
K0725.6160XCO	159	0,375	40	25	65	31	126	24	71	55	59
K0725.6160XCP	159	0,5	40	25	65	31	126	24	71	55	59
K0725.6200XCP	200	0,5	54,5	27	80	33	160	28	91	69	69

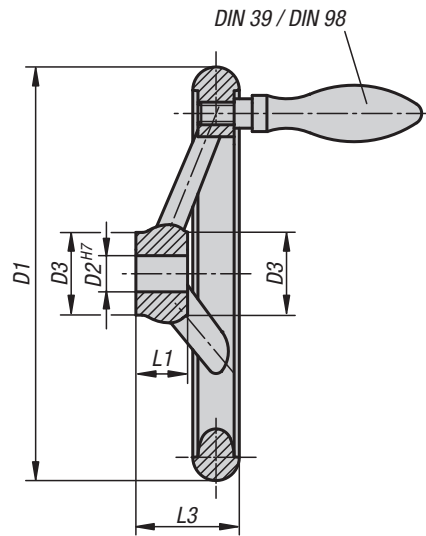
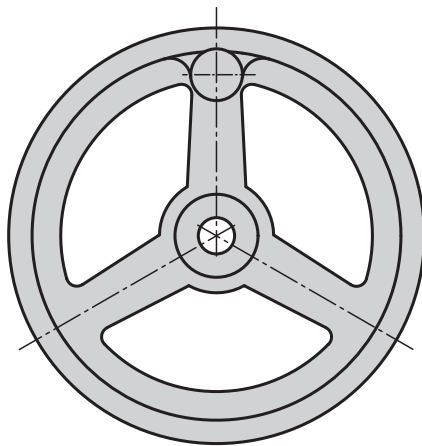
**KIPP Handwheels 2-spoke, plastic, with fold-down grip, metric**

Item No.	D1	D2	D3	D4	A	H	L	L1	L2	L3	L4
K0725.6130X12	129	12H7	32	20	51	29	111	20	59	52	53
K0725.6130X14	129	14H7	32	20	51	29	111	20	59	52	53
K0725.6160X14	159	14H7	40	25	65	31	126	24	71	55	59
K0725.6160X16	159	16H7	40	25	65	31	126	24	71	55	59
K0725.6200X16	200	16H7	54,5	27	80	33	160	28	91	69	69
K0725.6200X20	200	20H7	54,5	27	80	33	160	28	91	69	69
K0725.6345X20	346	20H7	67,5	27	148	43,5	144	32	91	80	80

## Handwheels

gray cast iron DIN 950

INCH  
Parts



**Material:**

Handwheel gray cast iron.  
Grip steel.

**Type:**

Wheel rim turned and polished.  
Radial and axial run-out of rim < IT 12.

**Part Number Example:**

K0671.0080XCN

**Note:**

For the inch series, dimension D2 is in inches, all other dimensions are in mm.

**On request:**

Hubs with square broached hole or powder-coated handwheels.

**KIPP Handwheels gray cast iron DIN 950, without machine handle, inch**

Item No.	D1	D2	D3	L1	L3	No. of spokes
K0671.0080XCN	80	0,312	25	16	29	3
K0671.0080XCO	80	0,375	25	16	29	3
K0671.0100XCO	100	0,375	26	17	33	3
K0671.0100XCP	100	0,5	26	17	33	3
K0671.0125XCO	125	0,375	33	18	36	3
K0671.0125XCP	125	0,5	33	18	36	3
K0671.0140XCP	140	0,5	33	19	39	3
K0671.0140XCQ	140	0,625	33	19	39	3
K0671.0160XCP	160	0,5	37	20	40	3
K0671.0160XCQ	160	0,625	37	20	40	3
K0671.0180XCP	180	0,5	36	22	43	3
K0671.0180XCQ	180	0,625	36	22	43	3
K0671.0200XCQ	200	0,625	38	24	45	3
K0671.0200XCR	200	0,75	38	24	45	3
K0671.0250XCR	250	0,75	46	28	50	5
K0671.0250XCV	250	0,875	46	28	50	5
K0671.0315XCV	315	0,875	54	33	56	5
K0671.0315XCS	315	1	54	33	56	5
K0671.0400XCS	400	1	68	38	63	5
K0671.0500XCS	500	1	79	45	72	5

# Handwheels

gray cast iron DIN 950



## KIPP Handwheels gray cast iron DIN 950, with fixed machine handle, inch

Item No.	D1	D2	D3	L1	L3	No. of spokes	fixed grip DIN 39 Style E
K0671.2080XCN	80	0,312	25	16	29	3	ø16 x M6 x 50
K0671.2080XCO	80	0,375	25	16	29	3	ø16 x M6 x 50
K0671.2100XCO	100	0,375	26	17	33	3	ø16 x M6 x 50
K0671.2100XCP	100	0,5	26	17	33	3	ø16 x M6 x 50
K0671.2125XCO	125	0,375	33	18	36	3	ø20 x M8 x 64
K0671.2125XCP	125	0,5	33	18	36	3	ø20 x M8 x 64
K0671.2140XCP	140	0,5	33	19	39	3	ø20 x M8 x 64
K0671.2140XCQ	140	0,625	33	19	39	3	ø20 x M8 x 64
K0671.2160XCP	160	0,5	37	20	40	3	ø25 x M10 x 80
K0671.2160XCQ	160	0,625	37	20	40	3	ø25 x M10 x 80
K0671.2180XCP	180	0,5	36	22	43	3	ø25 x M10 x 80
K0671.2180XCQ	180	0,625	36	22	43	3	ø25 x M10 x 80
K0671.2200XCQ	200	0,625	38	24	45	3	ø25 x M10 x 80
K0671.2200XCR	200	0,75	38	24	45	3	ø25 x M10 x 80
K0671.2250XCR	250	0,75	46	28	50	5	ø32 x M12 x 100
K0671.2250XCV	250	0,875	46	28	50	5	ø32 x M12 x 100
K0671.2315XCV	315	0,875	54	33	56	5	ø32 x M12 x 100
K0671.2315XCS	315	1	54	33	56	5	ø32 x M12 x 100
K0671.2400XCS	400	1	68	38	63	5	ø36 x M16 x 112
K0671.2500XCS	500	1	79	45	72	5	ø36 x M16 x 112

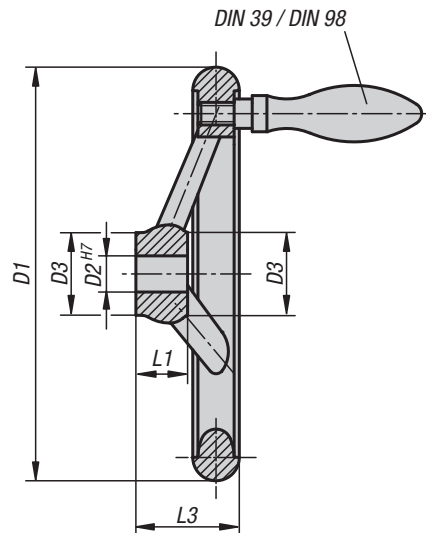
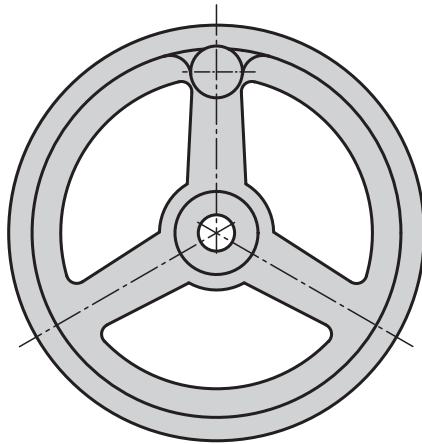
## KIPP Handwheels gray cast iron DIN 950, with revolving machine handle, inch

Item No.	D1	D2	D3	L1	L3	No. of spokes	revolving grip DIN 98 Style E
K0671.4080XCN	80	0,312	25	16	29	3	ø16 x M6 x 54,5
K0671.4080XCO	80	0,375	25	16	29	3	ø16 x M6 x 54,5
K0671.4100XCO	100	0,375	26	17	33	3	ø16 x M6 x 54,5
K0671.4100XCP	100	0,5	26	17	33	3	ø16 x M6 x 54,5
K0671.4125XCO	125	0,375	33	18	36	3	ø20 x M8 x 67
K0671.4125XCP	125	0,5	33	18	36	3	ø20 x M8 x 67
K0671.4140XCP	140	0,5	33	19	39	3	ø20 x M8 x 67
K0671.4140XCQ	140	0,625	33	19	39	3	ø20 x M8 x 67
K0671.4160XCP	160	0,5	37	20	40	3	ø25 x M10 x 83
K0671.4160XCQ	160	0,625	37	20	40	3	ø25 x M10 x 83
K0671.4180XCP	180	0,5	36	22	43	3	ø25 x M10 x 83
K0671.4180XCQ	180	0,625	36	22	43	3	ø25 x M10 x 83
K0671.4200XCQ	200	0,625	38	24	45	3	ø25 x M10 x 83
K0671.4200XCR	200	0,75	38	24	45	3	ø25 x M10 x 83
K0671.4250XCR	250	0,75	46	28	50	5	ø32 x M12 x 105,5
K0671.4250XCV	250	0,875	46	28	50	5	ø32 x M12 x 105,5
K0671.4315XCV	315	0,875	54	33	56	5	ø32 x M12 x 105,5
K0671.4315XCS	315	1	54	33	56	5	ø32 x M12 x 105,5
K0671.4400XCS	400	1	68	38	63	5	ø36 x M16 x 117
K0671.4500XCS	500	1	79	45	72	5	ø36 x M16 x 117

## Handwheels

gray cast iron DIN 950

METRIC  
Parts



**Material:**

Handwheel gray cast iron.  
Grip steel.

**Type:**

Wheel rim turned and polished.  
Radial and axial run-out of rim < IT 12.

**Part Number Example:**

K0671.0080X10

**On request:**

Hubs with square broached hole or powder-coated handwheels.

**KIPP Handwheels gray cast iron DIN 950, without machine handle, metric**

Item No.	D1	D2	D3	L1	L3	No. of spokes
K0671.0080X10	80	10H7	25	16	29	3
K0671.0080X12	80	12H7	25	16	29	3
K0671.0100X10	100	10H7	26	17	33	3
K0671.0100X12	100	12H7	26	17	33	3
K0671.0125X12	125	12H7	33	18	36	3
K0671.0125X14	125	14H7	33	18	36	3
K0671.0140X14	140	14H7	33	19	39	3
K0671.0140X16	140	16H7	33	19	39	3
K0671.0160X14	160	14H7	37	20	40	3
K0671.0160X16	160	16H7	37	20	40	3
K0671.0180X16	180	16H7	36	22	43	3
K0671.0180X18	180	18H7	36	22	43	3
K0671.0200X18	200	18H7	38	24	45	3
K0671.0200X22	200	22H7	38	24	45	3
K0671.0250X22	250	22H7	46	28	50	5
K0671.0250X26	250	26H7	46	28	50	5
K0671.0315X26	315	26H7	54	33	56	5
K0671.0315X30	315	30H7	54	33	56	5
K0671.0400X30	400	30H7	68	38	63	5
K0671.0400X34	400	34H7	68	38	63	5
K0671.0500X34	500	34H7	79	45	72	5
K0671.0500X40	500	40H7	79	45	72	5



## KIPP Handwheels gray cast iron DIN 950, with fixed machine handle, metric



Item No.	D1	D2	D3	L1	L3	No. of spokes	fixed grip DIN 39 Style E
K0671.2080X10	80	10H7	25	16	29	3	ø16 x M6 x 50
K0671.2080X12	80	12H7	25	16	29	3	ø16 x M6 x 50
K0671.2100X10	100	10H7	26	17	33	3	ø16 x M6 x 50
K0671.2100X12	100	12H7	26	17	33	3	ø16 x M6 x 50
K0671.2125X12	125	12H7	33	18	36	3	ø20 x M8 x 64
K0671.2125X14	125	14H7	33	18	36	3	ø20 x M8 x 64
K0671.2140X14	140	14H7	33	19	39	3	ø20 x M8 x 64
K0671.2140X16	140	16H7	33	19	39	3	ø20 x M8 x 64
K0671.2160X14	160	14H7	37	20	40	3	ø25 x M10 x 80
K0671.2160X16	160	16H7	37	20	40	3	ø25 x M10 x 80
K0671.2180X16	180	16H7	36	22	43	3	ø25 x M10 x 80
K0671.2180X18	180	18H7	36	22	43	3	ø25 x M10 x 80
K0671.2200X18	200	18H7	38	24	45	3	ø25 x M10 x 80
K0671.2200X22	200	22H7	38	24	45	3	ø25 x M10 x 80
K0671.2250X22	250	22H7	46	28	50	5	ø32 x M12 x 100
K0671.2250X26	250	26H7	46	28	50	5	ø32 x M12 x 100
K0671.2315X26	315	26H7	54	33	56	5	ø32 x M12 x 100
K0671.2315X30	315	30H7	54	33	56	5	ø32 x M12 x 100
K0671.2400X30	400	30H7	68	38	63	5	ø36 x M16 x 112
K0671.2400X34	400	34H7	68	38	63	5	ø36 x M16 x 112
K0671.2500X34	500	34H7	79	45	72	5	ø36 x M16 x 112
K0671.2500X40	500	40H7	79	45	72	5	ø36 x M16 x 112

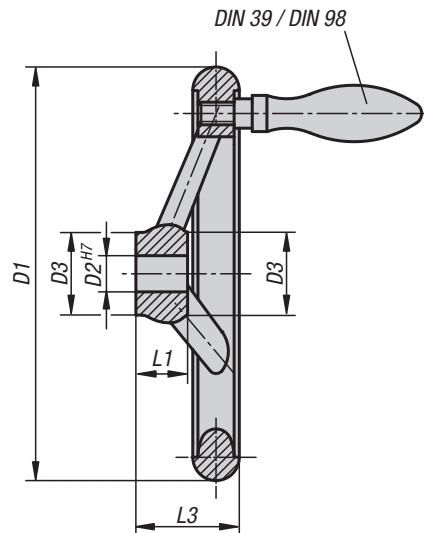
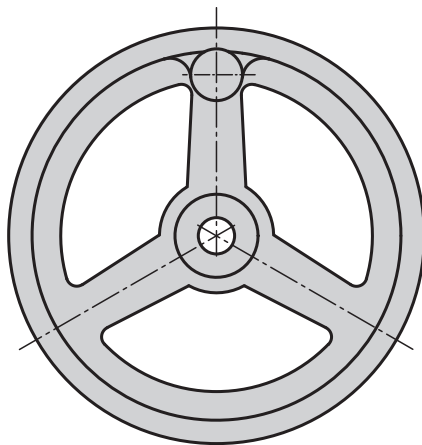
## KIPP Handwheels gray cast iron DIN 950, with revolving machine handle, metric

Item No.	D1	D2	D3	L1	L3	No. of spokes	revolving grip DIN 98 Style E
K0671.4080X10	80	10H7	25	16	29	3	ø16 x M6 x 54,5
K0671.4080X12	80	12H7	25	16	29	3	ø16 x M6 x 54,5
K0671.4100X10	100	10H7	26	17	33	3	ø16 x M6 x 54,5
K0671.4100X12	100	12H7	26	17	33	3	ø16 x M6 x 54,5
K0671.4125X12	125	12H7	33	18	36	3	ø20 x M8 x 67
K0671.4125X14	125	14H7	33	18	36	3	ø20 x M8 x 67
K0671.4140X14	140	14H7	33	19	39	3	ø20 x M8 x 67
K0671.4140X16	140	16H7	33	19	39	3	ø20 x M8 x 67
K0671.4160X14	160	14H7	37	20	40	3	ø25 x M10 x 83
K0671.4160X16	160	16H7	37	20	40	3	ø25 x M10 x 83
K0671.4180X16	180	16H7	36	22	43	3	ø25 x M10 x 83
K0671.4180X18	180	18H7	36	22	43	3	ø25 x M10 x 83
K0671.4200X18	200	18H7	38	24	45	3	ø25 x M10 x 83
K0671.4200X22	200	22H7	38	24	45	3	ø25 x M10 x 83
K0671.4250X22	250	22H7	46	28	50	5	ø32 x M12 x 105,5
K0671.4250X26	250	26H7	46	28	50	5	ø32 x M12 x 105,5
K0671.4315X26	315	26H7	54	33	56	5	ø32 x M12 x 105,5
K0671.4315X30	315	30H7	54	33	56	5	ø32 x M12 x 105,5
K0671.4400X30	400	30H7	68	38	63	5	ø36 x M16 x 117
K0671.4400X34	400	34H7	68	38	63	5	ø36 x M16 x 117
K0671.4500X34	500	34H7	79	45	72	5	ø36 x M16 x 117
K0671.4500X40	500	40H7	79	45	72	5	ø36 x M16 x 117

## Handwheels

aluminum DIN 950

INCH  
Parts



**Material:**

Handwheel aluminum.  
Fixed grip aluminum, center pin black oxide finish.  
Revolving grip aluminum, center pin trivalent blue passivated steel.

**Type:**

Wheel rim turned and polished.  
Radial and axial run-out of rim < IT 12.

**Part Number Example:**

K0160.0080XCN

**Note:**

For the inch series, dimension D2 is in inches, all other dimensions are in mm.

**On request:**

Hubs with square broached hole or powder-coated handwheels.

**KIPP Handwheels aluminum DIN 950, without machine handle, inch**

Item No.	D1	D2	D3	L1	L3	No. of spokes
K0160.0080XCN	80	0,312	25	16	29	3
K0160.0080XC0	80	0,375	25	16	29	3
K0160.0100XC0	100	0,375	29	17	33	3
K0160.0100XCP	100	.500	29	17	33	3
K0160.0125XC0	125	0,375	31	18	36	3
K0160.0125XCP	125	0,5	31	18	36	3
K0160.0140XCP	140	0,5	36	19	39	3
K0160.0140XCQ	140	0,625	36	19	39	3
K0160.0160XCP	160	0,5	36	20	40	3
K0160.0160XCQ	160	0,625	36	20	40	3
K0160.0180XCP	180	0,5	37	22	43	3
K0160.0180XCQ	180	0,625	37	22	43	3
K0160.0200XCQ	200	0,625	43	24	45	3
K0160.0200XCR	200	0,75	43	24	45	3
K0160.0250XCR	250	0,75	49	28	50	5
K0160.0250XCV	250	0,875	49	28	50	5
K0160.0315XCV	315	0,875	54	33	56	5
K0160.0315XCS	315	1	54	33	56	5
K0160.0400XCS	400	1	65	38	63	5
K0160.0500XCS	500	1	79	45	72	5

## Handwheels

aluminum DIN 950



## KIPP Handwheels aluminum DIN 950, with fixed machine handle, inch

Item No.	D1	D2	D3	L1	L3	No. of spokes	fixed grip DIN 39 Style E
K0160.2080XCN	80	0,312	25	16	29	3	ø16 x M6 x 50
K0160.2080XCO	80	0,375	25	16	29	3	ø16 x M6 x 50
K0160.2100XCO	100	0,375	29	17	33	3	ø16 x M6 x 50
K0160.2100XCP	100	0,5	29	17	33	3	ø16 x M6 x 50
K0160.2125XCO	125	0,375	31	18	36	3	ø20 x M8 x 64
K0160.2125XCP	125	0,5	31	18	36	3	ø20 x M8 x 64
K0160.2140XCP	140	0,5	36	19	39	3	ø20 x M8 x 64
K0160.2140XCQ	140	0,625	36	19	39	3	ø20 x M8 x 64
K0160.2160XCP	160	0,5	36	20	40	3	ø25 x M10 x 80
K0160.2160XCQ	160	0,625	36	20	40	3	ø25 x M10 x 80
K0160.2180XCP	180	0,5	37	22	43	3	ø25 x M10 x 80
K0160.2180XCQ	180	0,625	37	22	43	3	ø25 x M10 x 80
K0160.2200XCQ	200	0,625	43	24	45	3	ø25 x M10 x 80
K0160.2200XCR	200	0,75	43	24	45	3	ø25 x M10 x 80
K0160.2250XCR	250	0,75	49	28	50	5	ø32 x M12 x 100
K0160.2250XCV	250	0,875	49	28	50	5	ø32 x M12 x 100
K0160.2315XCV	315	0,875	54	33	56	5	ø32 x M12 x 100
K0160.2315XCS	315	1	54	33	56	5	ø32 x M12 x 100
K0160.2400XCS	400	1	65	38	63	5	ø36 x M16 x 112
K0160.2500XCS	500	1	79	45	72	5	ø36 x M16 x 112

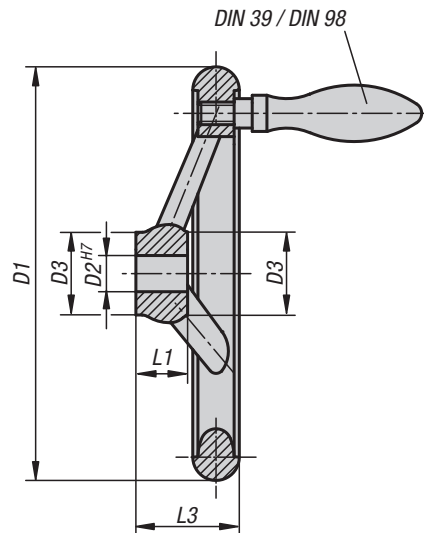
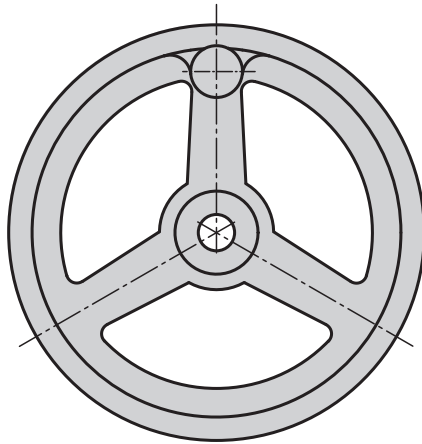
## KIPP Handwheels aluminum DIN 950, with revolving machine handle, inch

Item No.	D1	D2	D3	L1	L3	No. of spokes	revolving grip DIN 98 Style E
K0160.4080XCN	80	0,312	25	16	29	3	ø16 x M6 x 54,5
K0160.4080XCO	80	0,375	25	16	29	3	ø16 x M6 x 54,5
K0160.4100XCO	100	0,375	29	17	33	3	ø16 x M6 x 54,5
K0160.4100XCP	100	0,5	29	17	33	3	ø16 x M6 x 54,5
K0160.4125XCO	125	0,375	31	18	36	3	ø20 x M8 x 67
K0160.4125XCP	125	0,5	31	18	36	3	ø20 x M8 x 67
K0160.4140XCP	140	0,5	36	19	39	3	ø20 x M8 x 67
K0160.4140XCQ	140	0,625	36	19	39	3	ø20 x M8 x 67
K0160.4160XCP	160	0,5	36	20	40	3	ø25 x M10 x 83
K0160.4160XCQ	160	0,625	36	20	40	3	ø25 x M10 x 83
K0160.4180XCP	180	0,5	37	22	43	3	ø25 x M10 x 83
K0160.4180XCQ	180	0,625	37	22	43	3	ø25 x M10 x 83
K0160.4200XCQ	200	0,625	43	24	45	3	ø25 x M10 x 83
K0160.4200XCR	200	0,75	43	24	45	3	ø25 x M10 x 83
K0160.4250XCR	250	0,75	49	28	50	5	ø32 x M12 x 105,5
K0160.4250XCV	250	0,875	49	28	50	5	ø32 x M12 x 105,5
K0160.4315XCV	315	0,875	54	33	56	5	ø32 x M12 x 105,5
K0160.4315XCS	315	1	54	33	56	5	ø32 x M12 x 105,5
K0160.4400XCS	400	1	65	38	63	5	ø36 x M16 x 117
K0160.4500XCS	500	1	79	45	72	5	ø36 x M16 x 117

## Handwheels

aluminum DIN 950

METRIC  
Parts



**Material:**

Handwheel aluminum.  
Fixed grip aluminum, center pin black oxide finish.  
Revolving grip aluminum, center pin trivalent blue passivated steel.

**Type:**

Wheel rim turned and polished.  
Radial and axial run-out of rim < IT 12.

**Part Number Example:**

K0160.0080X10

**On request:**

Hubs with square broached hole or powder-coated handwheels.

**KIPP Handwheels aluminum DIN 950, without machine handle, metric**

Item No.	D1	D2	D3	L1	L3	No. of spokes
K0160.0080X10	80	10H7	25	16	29	3
K0160.0080X12	80	12H7	25	16	29	3
K0160.0100X10	100	10H7	29	17	33	3
K0160.0100X12	100	12H7	29	17	33	3
K0160.0125X12	125	12H7	31	18	36	3
K0160.0125X14	125	14H7	31	18	36	3
K0160.0140X14	140	14H7	36	19	39	3
K0160.0140X16	140	16H7	36	19	39	3
K0160.0160X14	160	14H7	36	20	40	3
K0160.0160X16	160	16H7	36	20	40	3
K0160.0180X16	180	16H7	37	22	43	3
K0160.0180X18	180	18H7	37	22	43	3
K0160.0200X18	200	18H7	43	24	45	3
K0160.0200X22	200	22H7	43	24	45	3
K0160.0250X22	250	22H7	49	28	50	5
K0160.0250X26	250	26H7	49	28	50	5
K0160.0315X26	315	26H7	54	33	56	5
K0160.0315X30	315	30H7	54	33	56	5
K0160.0400X30	400	30H7	65	38	63	5
K0160.0400X34	400	34H7	65	38	63	5
K0160.0500X34	500	34H7	79	45	72	5
K0160.0500X40	500	40H7	79	45	72	5

## KIPP Handwheels aluminum DIN 950, with fixed machine handle, metric



Item No.	D1	D2	D3	L1	L3	No. of spokes	fixed grip DIN 39 Style E
K0160.2080X10	80	10H7	25	16	29	3	ø16 x M6 x 50
K0160.2080X12	80	12H7	25	16	29	3	ø16 x M6 x 50
K0160.2100X10	100	10H7	29	17	33	3	ø16 x M6 x 50
K0160.2100X12	100	12H7	29	17	33	3	ø16 x M6 x 50
K0160.2125X12	125	12H7	31	18	36	3	ø20 x M8 x 64
K0160.2125X14	125	14H7	31	18	36	3	ø20 x M8 x 64
K0160.2140X14	140	14H7	36	19	39	3	ø20 x M8 x 64
K0160.2140X16	140	16H7	36	19	39	3	ø20 x M8 x 64
K0160.2160X14	160	14H7	36	20	40	3	ø25 x M10 x 80
K0160.2160X16	160	16H7	36	20	40	3	ø25 x M10 x 80
K0160.2180X16	180	16H7	37	22	43	3	ø25 x M10 x 80
K0160.2180X18	180	18H7	37	22	43	3	ø25 x M10 x 80
K0160.2200X18	200	18H7	43	24	45	3	ø25 x M10 x 80
K0160.2200X22	200	22H7	43	24	45	3	ø25 x M10 x 80
K0160.2250X22	250	22H7	49	28	50	5	ø32 x M12 x 100
K0160.2250X26	250	26H7	49	28	50	5	ø32 x M12 x 100
K0160.2315X26	315	26H7	54	33	56	5	ø32 x M12 x 100
K0160.2315X30	315	30H7	54	33	56	5	ø32 x M12 x 100
K0160.2400X30	400	30H7	65	38	63	5	ø36 x M16 x 112
K0160.2400X34	400	34H7	65	38	63	5	ø36 x M16 x 112
K0160.2500X34	500	34H7	79	45	72	5	ø36 x M16 x 112
K0160.2500X40	500	40H7	79	45	72	5	ø36 x M16 x 112

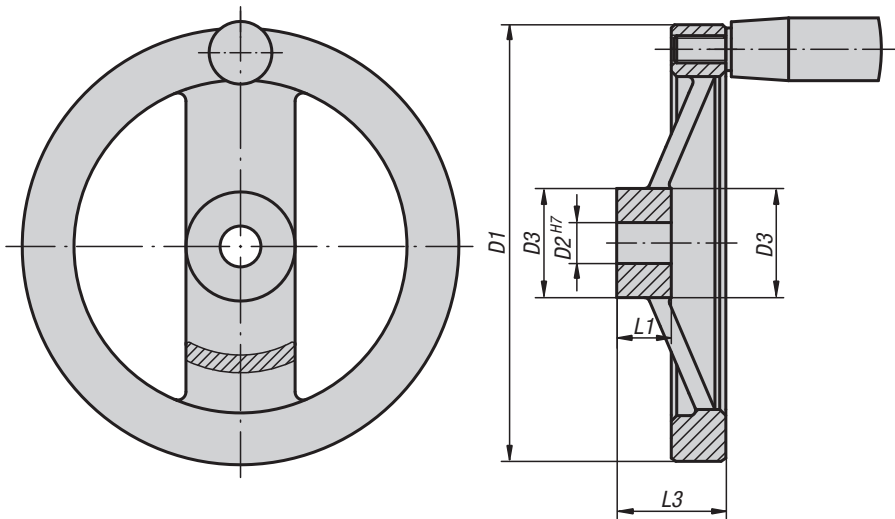
## KIPP Handwheels aluminum DIN 950, with revolving machine handle, metric

Item No.	D1	D2	D3	L1	L3	No. of spokes	revolving grip DIN 98 Style E
K0160.4080X10	80	10H7	25	16	29	3	ø16 x M6 x 54,5
K0160.4080X12	80	12H7	25	16	29	3	ø16 x M6 x 54,5
K0160.4100X10	100	10H7	29	17	33	3	ø16 x M6 x 54,5
K0160.4100X12	100	12H7	29	17	33	3	ø16 x M6 x 54,5
K0160.4125X12	125	12H7	31	18	36	3	ø20 x M8 x 67
K0160.4125X14	125	14H7	31	18	36	3	ø20 x M8 x 67
K0160.4140X14	140	14H7	36	19	39	3	ø20 x M8 x 67
K0160.4140X16	140	16H7	36	19	39	3	ø20 x M8 x 67
K0160.4160X14	160	14H7	36	20	40	3	ø25 x M10 x 83
K0160.4160X16	160	16H7	36	20	40	3	ø25 x M10 x 83
K0160.4180X16	180	16H7	37	22	43	3	ø25 x M10 x 83
K0160.4180X18	180	18H7	37	22	43	3	ø25 x M10 x 83
K0160.4200X18	200	18H7	43	24	45	3	ø25 x M10 x 83
K0160.4200X22	200	22H7	43	24	45	3	ø25 x M10 x 83
K0160.4250X22	250	22H7	49	28	50	5	ø32 x M12 x 105,5
K0160.4250X26	250	26H7	49	28	50	5	ø32 x M12 x 105,5
K0160.4315X26	315	26H7	54	33	56	5	ø32 x M12 x 105,5
K0160.4315X30	315	30H7	54	33	56	5	ø32 x M12 x 105,5
K0160.4400X30	400	30H7	65	38	63	5	ø36 x M16 x 117
K0160.4400X34	400	34H7	65	38	63	5	ø36 x M16 x 117
K0160.4500X34	500	34H7	79	45	72	5	ø36 x M16 x 117
K0160.4500X40	500	40H7	79	45	72	5	ø36 x M16 x 117

## Two-Spoke Handwheels

aluminum, flat rim

INCH  
Parts



**Material:**

Handwheel aluminum.  
Cylindrical grip black thermoset PF 31-DIN 7708,  
center pin electro zinc-plated steel.

**Type:**

Wheel rim turned and polished.  
Radial and axial run-out of rim < IT 12.

**Part Number Example:**

K0162.0080XCN

**Note:**

For the inch series, dimension D2 is in inches, all other dimensions are in mm.

**On request:**

Hubs with square broached hole or powder-coated handwheels.

**KIPP Two-Spoke Handwheels aluminum, flat rim, without handle, inch**

Item No.	D1	D2	D3	L1	L3
K0162.0080XCN	80	0,312	24	16	28
K0162.0080XCO	80	0,375	24	16	28
K0162.0100XCO	100	0,375	26	17	33
K0162.0100XCP	100	0,5	26	17	33
K0162.0125XCO	125	0,375	31	18	33,5
K0162.0125XCP	125	0,5	31	18	33,5
K0162.0160XCP	160	0,5	36	20	39
K0162.0160XCQ	160	0,625	36	20	39
K0162.0200XCQ	200	0,625	42	24	45
K0162.0200XCR	200	0,75	42	24	45
K0162.0250XCR	250	0,75	48	28	51
K0162.0250XCV	250	0,875	48	28	51

# Two-Spoke Handwheels

aluminum, flat rim



## KIPP Two-Spoke Handwheels aluminum, flat rim, with fixed handle, inch

Item No.	D1	D2	D3	L1	L3	Fixed cylinder grip
K0162.2080XCN	80	0,312	24	16	28	ø18 x M6 x 40
K0162.2080XCO	80	0,375	24	16	28	ø18 x M6 x 40
K0162.2100XCO	100	0,375	26	17	33	ø18 x M6 x 40
K0162.2100XCP	100	0,5	26	17	33	ø18 x M6 x 40
K0162.2125XCO	125	0,375	31	18	33,5	ø21 x M8 x 50
K0162.2125XCP	125	0,5	31	18	33,5	ø21 x M8 x 50
K0162.2160XCP	160	0,5	36	20	39	ø26 x M10 x 80
K0162.2160XCQ	160	0,625	36	20	39	ø26 x M10 x 80
K0162.2200XCQ	200	0,625	42	24	45	ø26 x M10 x 80
K0162.2200XCR	200	0,75	42	24	45	ø26 x M10 x 80
K0162.2250XCR	250	0,75	48	28	51	ø28 x M12 x 90
K0162.2250XCV	250	0,875	48	28	51	ø28 x M12 x 90

## KIPP Two-Spoke Handwheels aluminum, flat rim, with revolving handle, inch

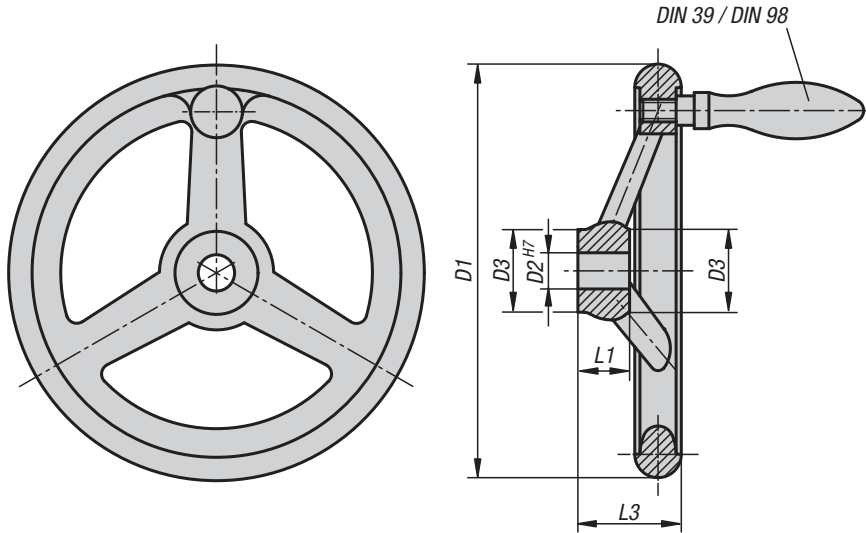
Item No.	D1	D2	D3	L1	L3	Revolving cylinder grip
K0162.4080XCN	80	0,312	24	16	28	ø18 x M6 x 40
K0162.4080XCO	80	0,375	24	16	28	ø18 x M6 x 40
K0162.4100XCO	100	0,375	26	17	33	ø18 x M6 x 40
K0162.4100XCP	100	0,5	26	17	33	ø18 x M6 x 40
K0162.4125XCO	125	0,375	31	18	33,5	ø22 x M8 x 56
K0162.4125XCP	125	0,5	31	18	33,5	ø22 x M8 x 56
K0162.4160XCP	160	0,5	36	20	39	ø26 x M10 x 80
K0162.4160XCQ	160	0,625	36	20	39	ø26 x M10 x 80
K0162.4200XCQ	200	0,625	42	24	45	ø26 x M10 x 80
K0162.4200XCR	200	0,75	42	24	45	ø26 x M10 x 80
K0162.4250XCR	250	0,75	48	28	51	ø31 x M12 x 102
K0162.4250XCV	250	0,875	48	28	51	ø31 x M12 x 102

## Two-Spoke Handwheels

aluminum, flat rim



METRIC  
Parts



**Material:**

Handwheel aluminum.  
Cylindrical grip black thermoset PF 31-DIN 7708,  
center pin electro zinc-plated steel.

**Type:**

Wheel rim turned and polished.  
Radial and axial run-out of rim < IT 12.

**Part Number Example:**

K0162.0080X10

**On request:**

Hubs with square broached hole or powder-coated handwheels.

### KIPP Two-Spoke Handwheels aluminum, planed, without handle, metric

Item No.	D1	D2	D3	L1	L3
K0162.0080X10	80	10H7	24	16	28
K0162.0080X12	80	12H7	24	16	28
K0162.0100X10	100	10H7	26	17	33
K0162.0100X12	100	12H7	26	17	33
K0162.0125X12	125	12H7	31	18	33,5
K0162.0125X14	125	14H7	31	18	33,5
K0162.0160X14	160	14H7	36	20	39
K0162.0160X16	160	16H7	36	20	39
K0162.0200X18	200	18H7	42	24	45
K0162.0200X20	200	20H7	42	24	45
K0162.0250X22	250	22H7	48	28	51
K0162.0250X26	250	26H7	48	28	51



# Two-Spoke Handwheels

aluminum, flat rim



## KIPP Two-Spoke Handwheels aluminum, planed, with fixed handle, metric

Item No.	D1	D2	D3	L1	L3	Fixed cylinder grip
K0162.2080X10	80	10H7	24	16	28	ø18 x M6 x 40
K0162.2080X12	80	12H7	24	16	28	ø18 x M6 x 40
K0162.2100X10	100	10H7	26	17	33	ø18 x M6 x 40
K0162.2100X12	100	12H7	26	17	33	ø18 x M6 x 40
K0162.2125X12	125	12H7	31	18	33,5	ø21 x M8 x 50
K0162.2125X14	125	14H7	31	18	33,5	ø21 x M8 x 50
K0162.2160X14	160	14H7	36	20	39	ø26 x M10 x 80
K0162.2160X16	160	16H7	36	20	39	ø26 x M10 x 80
K0162.2200X18	200	18H7	42	24	45	ø26 x M10 x 80
K0162.2200X20	200	20H7	42	24	45	ø26 x M10 x 80
K0162.2250X22	250	22H7	48	28	51	ø28 x M12 x 90
K0162.2250X26	250	26H7	48	28	51	ø28 x M12 x 90

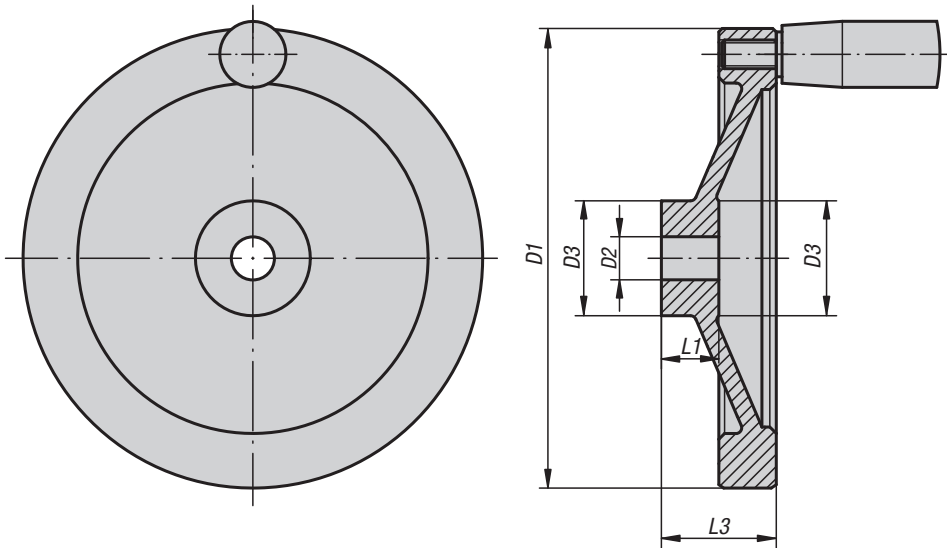
## KIPP Two-Spoke Handwheels aluminum, planed, with revolving handle, metric

Item No.	D1	D2	D3	L1	L3	Revolving cylinder grip
K0162.4080X10	80	10H7	24	16	28	ø18 x M6 x 40
K0162.4080X12	80	12H7	24	16	28	ø18 x M6 x 40
K0162.4100X10	100	10H7	26	17	33	ø18 x M6 x 40
K0162.4100X12	100	12H7	26	17	33	ø18 x M6 x 40
K0162.4125X12	125	12H7	31	18	33,5	ø22 x M8 x 56
K0162.4125X14	125	14H7	31	18	33,5	ø22 x M8 x 56
K0162.4160X14	160	14H7	36	20	39	ø26 x M10 x 80
K0162.4160X16	160	16H7	36	20	39	ø26 x M10 x 80
K0162.4200X18	200	18H7	42	24	45	ø26 x M10 x 80
K0162.4200X20	200	20H7	42	24	45	ø26 x M10 x 80
K0162.4250X22	250	22H7	48	28	51	ø31 x M12 x 102
K0162.4250X26	250	26H7	48	28	51	ø31 x M12 x 102

## Disc Handwheels

aluminum flat rim

INCH  
Parts



**Material:**

Disc handwheel aluminum.  
Cylinder grip black thermoset PF 31-DIN 7708.  
Hub electro zinc-plated steel.

**Type:**

Wheel rim turned and polished.  
Radial and axial run-out of rim < IT 12.

**Part Number Example:**

K0161.0080XCN

**Note:**

For the inch series, dimension D2 is in inches, all other dimensions are in mm.

**On request:**

Hubs with square broached hole or powder-coated handwheels.

**KIPP Disc Handwheels aluminum, flat rim, without handle, inch**

Item No.	D1	D2	D3	L1	L3
K0161.0080XCN	80	0,312	26	16	31
K0161.0080XCO	80	0,375	26	16	31
K0161.0100XCO	100	0,375	31	17	34
K0161.0100XCP	100	0,5	31	17	34
K0161.0125XCO	125	0,375	30	18	37
K0161.0125XCP	125	0,5	30	18	37
K0161.0140XCP	140	0,5	34	19	34
K0161.0140XCQ	140	0,625	34	19	34
K0161.0160XCP	160	0,5	40	20	40
K0161.0160XCQ	160	0,625	40	20	40
K0161.0200XCQ	200	0,625	50	24	46
K0161.0200XCR	200	0,75	50	24	46
K0161.0250XCR	250	0,75	50	28	49
K0161.0250XCV	250	0,875	50	28	49

# Disc Handwheels

aluminum flat rim



## KIPP Disc Handwheels aluminum, flat rim, with fixed handle, inch

Item No.	D1	D2	D3	L1	L3	Fixed cylinder grip
K0161.2080XCN	80	0,312	26	16	31	ø18 x M6 x 40
K0161.2080XCO	80	0,375	26	16	31	ø18 x M6 x 40
K0161.2100XCO	100	0,375	31	17	34	ø18 x M6 x 40
K0161.2100XCP	100	0,5	31	17	34	ø18 x M6 x 40
K0161.2125XCO	125	0,375	30	18	37	ø21 x M8 x 50
K0161.2125XCP	125	0,5	30	18	37	ø21 x M8 x 50
K0161.2140XCP	140	0,5	34	19	34	ø21 x M8 x 50
K0161.2140XCQ	140	0,625	34	19	34	ø21 x M8 x 50
K0161.2160XCP	160	0,5	40	20	40	ø26 x M10 x 80
K0161.2160XCQ	160	0,625	40	20	40	ø26 x M10 x 80
K0161.2200XCQ	200	0,625	50	24	46	ø26 x M10 x 80
K0161.2200XCR	200	0,75	50	24	46	ø26 x M10 x 80
K0161.2250XCR	250	0,75	50	28	49	ø28 x M12 x 90
K0161.2250XCV	250	0,875	50	28	49	ø28 x M12 x 90

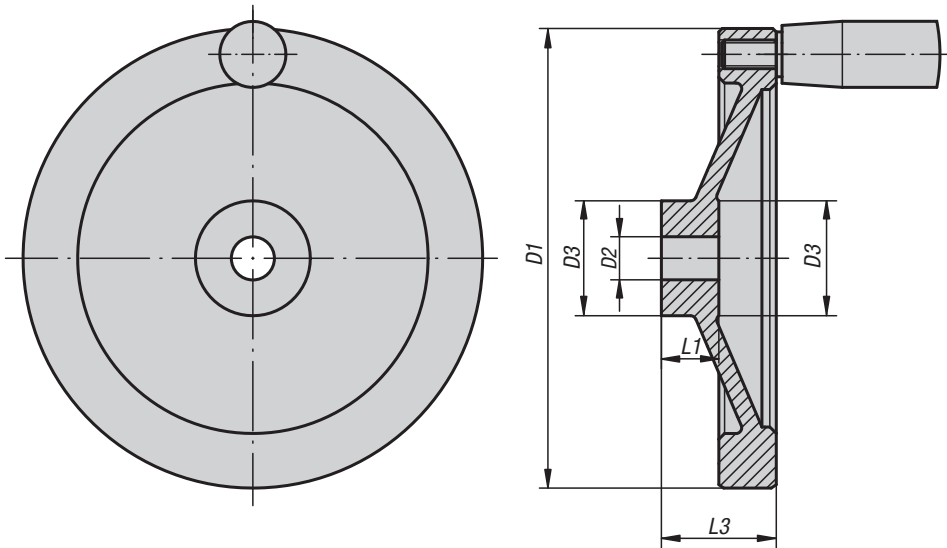
## KIPP Disc Handwheels aluminum, flat rim, with revolving handle, inch

Item No.	D1	D2	D3	L1	L3	Revolving cylinder grip
K0161.4080XCN	80	0,312	26	16	31	ø18 x M6 x 40
K0161.4080XCO	80	0,375	26	16	31	ø18 x M6 x 40
K0161.4100XCO	100	0,375	31	17	34	ø18 x M6 x 40
K0161.4100XCP	100	0,5	31	17	34	ø18 x M6 x 40
K0161.4125XCO	125	0,375	30	18	37	ø22 x M8 x 56
K0161.4125XCP	125	0,5	30	18	37	ø22 x M8 x 56
K0161.4140XCP	140	0,5	34	19	34	ø22 x M8 x 56
K0161.4140XCQ	140	0,625	34	19	34	ø22 x M8 x 56
K0161.4160XCP	160	0,5	40	20	40	ø26 x M10 x 80
K0161.4160XCQ	160	0,625	40	20	40	ø26 x M10 x 80
K0161.4200XCQ	200	0,625	50	24	46	ø26 x M10 x 80
K0161.4200XCR	200	0,75	50	24	46	ø26 x M10 x 80
K0161.4250XCR	250	0,75	50	28	49	ø31 x M12 x 102
K0161.4250XCV	250	0,875	50	28	49	ø31 x M12 x 102

## Disc Handwheels

aluminum flat rim

METRIC  
Parts



**Material:**

Disc handwheel aluminum.  
Cylinder grip black thermoset PF 31-DIN 7708.  
Hub electro zinc-plated steel.

**Type:**

Wheel rim turned and polished.  
Radial and axial run-out of rim < IT 12.

**Part Number Example:**

K0161.4080X10

**On request:**

Hubs with square broached hole or powder-coated handwheels.

**KIPP Disc Handwheels aluminum, flat rim, without handle, metric**

Item No.	D1	D2	D3	L1	L3
K0161.0080X10	80	10H7	26	16	31
K0161.0080X12	80	12H7	26	16	31
K0161.0100X10	100	10H7	31	17	34
K0161.0100X12	100	12H7	31	17	34
K0161.0125X12	125	12H7	30	18	37
K0161.0125X14	125	14H7	30	18	37
K0161.0140X14	140	14H7	34	19	34
K0161.0140X15	140	15H7	34	19	34
K0161.0160X15	160	15H7	40	20	40
K0161.0160X16	160	16H7	40	20	40
K0161.0200X18	200	18H7	50	24	46
K0161.0200X20	200	20H7	50	24	46
K0161.0250X22	250	22H7	50	28	49
K0161.0250X24	250	24H7	50	28	49

# Disc Handwheels

aluminum flat rim



## KIPP Disc Handwheels aluminum, flat rim, with fixed handle, metric

Item No.	D1	D2	D3	L1	L3	Fixed cylinder grip
K0161.2080X10	80	10H7	26	16	31	ø18 x M6 x 40
K0161.2080X12	80	12H7	26	16	31	ø18 x M6 x 40
K0161.2100X10	100	10H7	31	17	34	ø18 x M6 x 40
K0161.2100X12	100	12H7	31	17	34	ø18 x M6 x 40
K0161.2125X12	125	12H7	30	18	37	ø21 x M8 x 50
K0161.2125X14	125	14H7	30	18	37	ø21 x M8 x 50
K0161.2140X14	140	14H7	34	19	34	ø21 x M8 x 50
K0161.2140X15	140	15H7	34	19	34	ø21 x M8 x 50
K0161.2160X15	160	15H7	40	20	40	ø26 x M10 x 80
K0161.2160X16	160	16H7	40	20	40	ø26 x M10 x 80
K0161.2200X18	200	18H7	50	24	46	ø26 x M10 x 80
K0161.2200X20	200	20H7	50	24	46	ø26 x M10 x 80
K0161.2250X22	250	22H7	50	28	49	ø28 x M12 x 90
K0161.2250X24	250	24H7	50	28	49	ø28 x M12 x 90

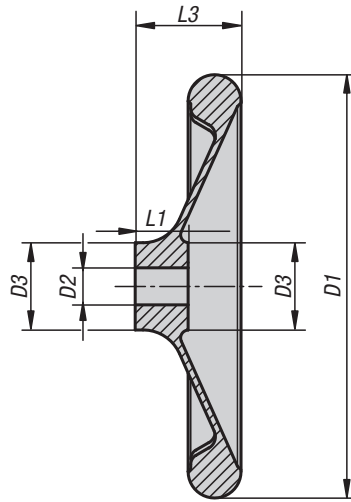
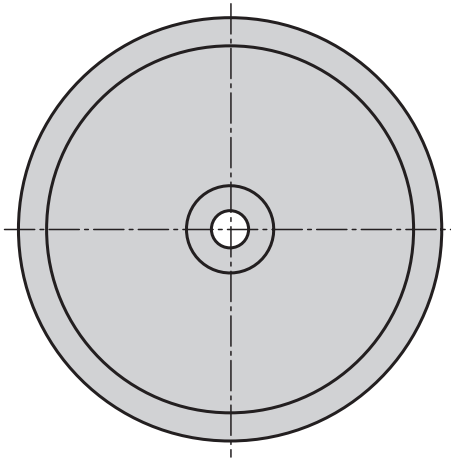
## KIPP Disc Handwheels aluminum, flat rim, with revolving handle, metric

Item No.	D1	D2	D3	L1	L3	Revolving cylinder grip
K0161.4080X10	80	10H7	26	16	31	ø18 x M6 x 40
K0161.4080X12	80	12H7	26	16	31	ø18 x M6 x 40
K0161.4100X10	100	10H7	31	17	34	ø18 x M6 x 40
K0161.4100X12	100	12H7	31	17	34	ø18 x M6 x 40
K0161.4125X12	125	12H7	30	18	37	ø22 x M8 x 56
K0161.4125X14	125	14H7	30	18	37	ø22 x M8 x 56
K0161.4140X14	140	14H7	34	19	34	ø22 x M8 x 56
K0161.4140X15	140	15H7	34	19	34	ø22 x M8 x 56
K0161.4160X15	160	15H7	40	20	40	ø26 x M10 x 80
K0161.4160X16	160	16H7	40	20	40	ø26 x M10 x 80
K0161.4200X18	200	18H7	50	24	46	ø26 x M10 x 80
K0161.4200X20	200	20H7	50	24	46	ø26 x M10 x 80
K0161.4250X22	250	22H7	50	28	49	ø31 x M12 x 102
K0161.4250X24	250	24H7	50	28	49	ø31 x M12 x 102

# Disc Handwheels

aluminum similar to DIN 950

INCH Parts    METRIC Parts



**Material:**  
Handwheel aluminum

**Type:**  
Wheel rim turned and polished.  
Radial and axial run-out of rim < IT 12.

**Part Number Example:**  
K0163.0080XCN

**Note:**  
For the inch series, dimension D2 is in inches, all other dimensions are in mm.

**On request:**  
Hubs with square broached hole or powder-coated handwheels.

# Disc Handwheels

aluminum similar to DIN 950



## KIPP Disc Handwheels aluminum, similar to DIN 950, inch

Item No.	D1	D2	D3	L1	L3
K0163.0080XCN	80	0,312	25	16	30
K0163.0080XCO	80	0,375	25	16	30
K0163.0100XCO	100	0,375	28	17	31
K0163.0100XCP	100	0,5	28	17	31
K0163.0120XCO	120	0,375	27	18	30
K0163.0120XCP	120	0,5	27	18	30
K0163.0160XCP	160	0,5	34	20	40
K0163.0160XCQ	160	0,625	34	20	40
K0163.0200XCQ	200	0,625	40	24	44
K0163.0200XCR	200	0,75	40	24	44
K0163.0250XCR	250	0,75	49	28	61
K0163.0250XCV	250	0,875	49	28	61
K0163.0280XCR	280	0,75	51	30	38
K0163.0280XCV	280	0,875	51	30	38
K0163.0360XCV	360	0,875	63	35	73
K0163.0360XCS	360	1	63	35	73

## KIPP Disc Handwheels aluminum, similar to DIN 950, metric

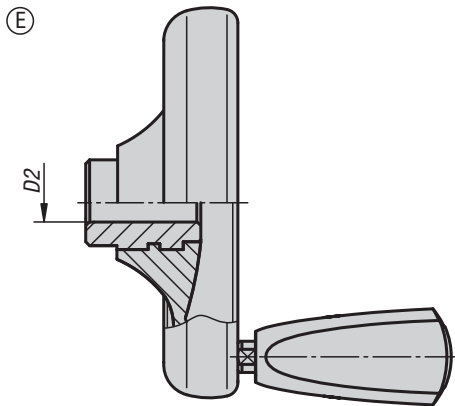
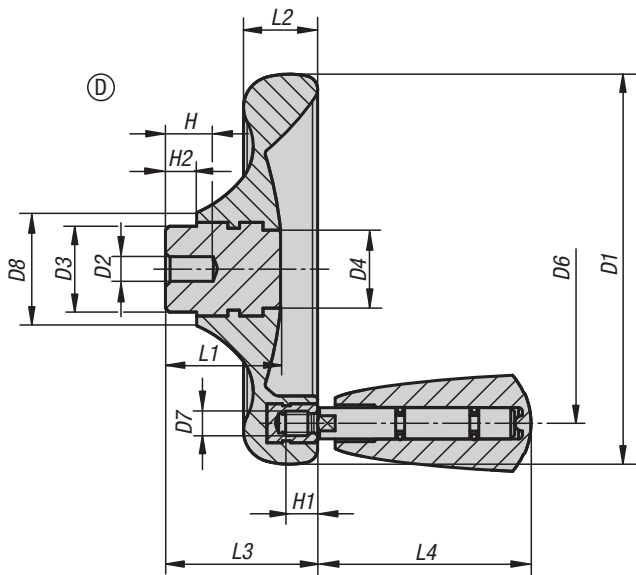
Item No.	D1	D2	D3	L1	L3
K0163.0080X10	80	10H7	25	16	30
K0163.0080X12	80	12H7	25	16	30
K0163.0100X10	100	10H7	28	17	31
K0163.0100X12	100	12H7	28	17	31
K0163.0120X12	120	12H7	27	18	30
K0163.0120X14	120	14H7	27	18	30
K0163.0160X14	160	14H7	34	20	40
K0163.0160X16	160	16H7	34	20	40
K0163.0200X18	200	18H7	40	24	44
K0163.0200X22	200	22H7	40	24	44
K0163.0250X22	250	22H7	49	28	61
K0163.0250X26	250	26H7	49	28	61
K0163.0280X24	280	24H7	51	30	38
K0163.0280X28	280	28H7	51	30	38
K0163.0360X28	360	28H7	63	35	73
K0163.0360X32	360	32H7	63	35	73

# Disc Handwheels

Thermoset with revolving taper grip



INCH Parts    METRIC Parts



**Material:**

Thermoset PF 31, black.

Hubs and steel parts of grip nickel-plated steel or bright stainless steel 1.4305 (AISI 303 equivalent).

**Type:**

High-polish finish.

**Part Number Example:**

K0164.1100XCM

**Note:**

The handwheel is supplied with the grip unassembled.

For the inch series, dimension D2 is in inches, all other dimensions are in mm.

**On request:**

Other reamed hole sizes.

**Drawing reference:**

Style D: pilot hole

Style E: reamed hole



# Disc Handwheels

Thermoset with revolving taper grip



## KIPP Disc Handwheels, with revolving taper grip, inch

Item No.	Style	Size	D1	D2	D3	D4	D6	D7	H1	H2	L1	L2	L3	L4
K0164.1100XCM	E	1	100	0,25	22	20	79	M6	9	8	29,5	19	39	54,7
K0164.1125XCO	E	2	125	0,375	26	21	101	M6	9	8	34	24	46	54,7
K0164.1140XCP	E	3	140	0,5	30	25	110	M8	12	8	38,5	27	52	82,2
K0164.1160XCQ	E	4	160	0,625	33	30	128	M8	12	8	41,3	30,1	57	82,2
K0164.1160XCR	E	4	160	0,75	33	30	128	M8	12	8	41,3	30,1	57	82,2

## KIPP Disc Handwheels, with revolving taper grip, steel parts in stainless steel, inch

Item No.	Style	Size	D1	D2	D3	D4	D6	D7	H1	H2	L1	L2	L3	L4
K0164.3100XCM	E	1	100	0,25	22	20	79	M6	9	8	29,5	19	39	54,7
K0164.3125XCO	E	2	125	0,375	26	21	101	M6	9	8	34	24	46	54,7
K0164.3140XCP	E	3	140	0,5	30	25	110	M8	12	8	38,5	27	52	82,2
K0164.3160XCQ	E	4	160	0,625	33	30	128	M8	12	8	41,3	30,1	57	82,2
K0164.3160XCR	E	4	160	0,75	33	30	128	M8	12	8	41,3	30,1	57	82,2

## KIPP Disc Handwheels, with revolving taper grip, metric

Item No. Style D	Item No. Style E	D1	D2	D3	D4	D6	D7	D8	H	H1	H2	L1	L2	L3	L4
K0164.0100X06	K0164.1100X10	100	6/10H8	22	20	79	M6	29	12/-	9	8	29,5	19	39	54,7
K0164.0125X08	K0164.1125X12	125	8/12H8	26	21	101	M6	34	15/-	9	8	34	24	46	54,7
K0164.0140X08	K0164.1140X14	140	8/14H8	30	25	110	M8	39	16/-	12	8	38,5	27	52	82,2
K0164.0160X10	K0164.1160X16	160	10/16H8	33	30	128	M8	43	20/-	12	8	41,3	30,1	57	82,2
-	K0164.1160X18	160	18H8	33	30	128	M8	43	-	12	8	41,3	30,1	57	82,2

## KIPP Disc Handwheels, with revolving taper grip, steel parts in stainless steel, metric

Item No. Style D	Item No. Style E	D1	D2	D3	D4	D6	D7	D8	H	H1	H2	L1	L2	L3	L4
K0164.2100X06	K0164.3100X10	100	6/10H7	22	20	79	M6	29	12/-	9	8	29,5	19	39	54,7
K0164.2125X08	K0164.3125X12	125	8/12H7	26	21	101	M6	34	15/-	9	8	34	24	46	54,7
K0164.2140X08	K0164.3140X14	140	8/14H7	30	25	110	M8	39	16/-	12	8	38,5	27	52	82,2
K0164.2160X10	K0164.3160X16	160	10/16H7	33	30	128	M8	43	20/-	12	8	41,3	30,1	57	82,2
-	K0164.3160X18	160	18H7	33	30	128	M8	43	-	12	8	41,3	30,1	57	82,2

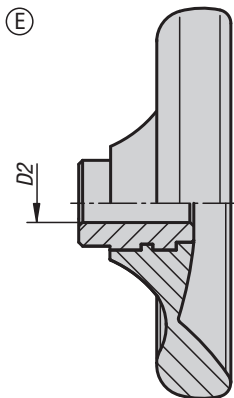
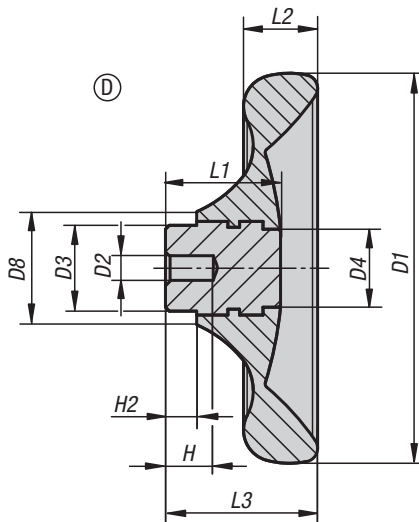
# Disc Handwheels

Thermoset without taper grip



INCH  
Parts

METRIC  
Parts



**Material:**

Black thermoset PF 31.

Hub nickel-plated steel or bright stainless steel 1.4305 (AISI 303 equivalent).

**Type:**

High-polish finish.

**Part Number Example:**

K0165.1100XCM

**Note:**

For the inch series, dimension D2 is in inches, all other dimensions are in mm.

**On request:**

Other reamed hole sizes.

**Drawing reference:**

Style D: pilot hole

Style E: reamed hole

# Disc Handwheels

Thermoset without taper grip



## KIPP Disc Handwheels without taper grip, bushing in steel, inch

Item No.	Style	Size	D1	D2	D3	D4	D8	H2	L1	L2	L3
K0165.1100XCM	E	1	100	0,25	22	20	29	8	29,5	19	39
K0165.1125XCO	E	2	125	0,375	26	21	34	8	34	24	46
K0165.1140XCP	E	3	140	0,5	30	25	39	8	38,5	27	52
K0165.1160XCQ	E	4	160	0,625	33	30	43	8	41,3	30,1	57
K0165.1160XCR	E	4	160	0,75	33	30	43	8	41,3	30,1	57

## KIPP Disc Handwheels without taper grip, bushing in stainless steel, inch

Item No.	Style	Size	D1	D2	D3	D4	D8	H2	L1	L2	L3
K0165.3100XCM	E	1	100	0,25	22	20	29	8	29,5	19	39
K0165.3125XCO	E	2	125	0,375	26	21	34	8	34	24	46
K0165.3140XCP	E	3	140	0,5	30	25	39	8	38,5	27	52
K0165.3160XCQ	E	4	160	0,625	33	30	43	8	41,3	30,1	57
K0165.3160XCR	E	4	160	0,75	33	30	43	8	41,3	30,1	57

## KIPP Disc Handwheels without taper grip, bushing in steel, metric

Item No. Style D	Item No. Style E	D1	D2	D3	D4	D8	H	H2	L1	L2	L3
K0165.0100X06	K0165.1100X10	100	6/10H8	22	20	29	12/-	8	29,5	19	39
K0165.0125X08	K0165.1125X12	125	8/12H8	26	21	34	15/-	8	34	24	46
K0165.0140X08	K0165.1140X14	140	8/14H8	30	25	39	16/-	8	38,5	27	52
K0165.0160X10	K0165.1160X16	160	10/16H8	33	30	43	20/-	8	41,3	30,1	57
-	K0165.1160X18	160	18H8	33	30	43	-	8	41,3	30,1	57

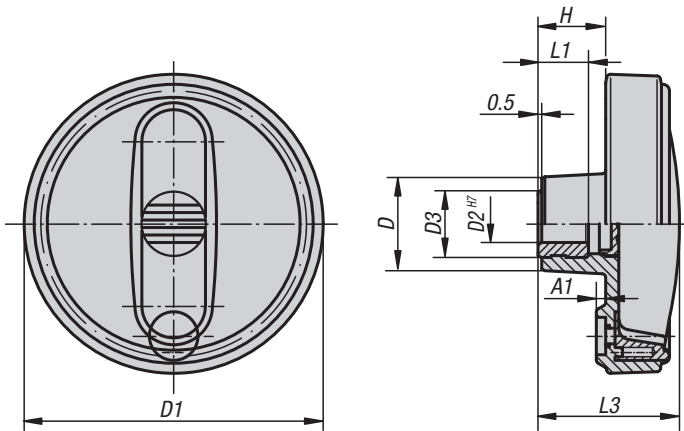
## KIPP Disc Handwheels without taper grip, bushing in stainless steel, metric

Item No. Style D	Item No. Style E	D1	D2	D3	D4	D8	H	H2	L1	L2	L3
K0165.2100X06	K0165.3100X10	100	6/10H7	22	20	29	12/-	8	29,5	19	39
K0165.2125X08	K0165.3125X12	125	8/12H7	26	21	34	15/-	8	34	24	46
K0165.2140X08	K0165.3140X14	140	8/14H7	30	25	39	16/-	8	38,5	27	52
K0165.2160X10	K0165.3160X16	160	10/16H7	33	30	43	20/-	8	41,3	30,1	57
-	K0165.3160X18	160	18H7	33	30	43	-	8	41,3	30,1	57

## Handwheels

without handle

INCH Parts    METRIC Parts



**Material:**

Black gray thermoplastic.

**Type:**

Steel parts black oxide finish.

**Part Number Example:**

K0256.1080C0

**Note:**

The hub cap is supplied loose.  
The handwheels can be secured using a transverse pin or by parallel key connection together with a DIN 6912 socket head screw and a DIN 7349 washer.

For the inch series, dimension D2 is in inches, all other dimensions are in mm.

### KIPP Handwheels, without handle, inch

Item No.	Size	D	D1	D2	D3	A1	H	L1	L3
K0256.1080C0	1	25	80	0,375	19	2,5	17,5	13	37,5
K0256.2100C0	2	28	100	0,375	19	3	20	13	44
K0256.2100CP	2	28	100	0,5	19	3	20	13	44
K0256.3125CP	3	35	125	0,5	25	4	23,5	18,5	53
K0256.4160CP	4	45	160	0,5	25	5,6	28	18,5	64,5
K0256.4160CQ	4	45	160	0,625	25	5,6	28	18,5	64,5

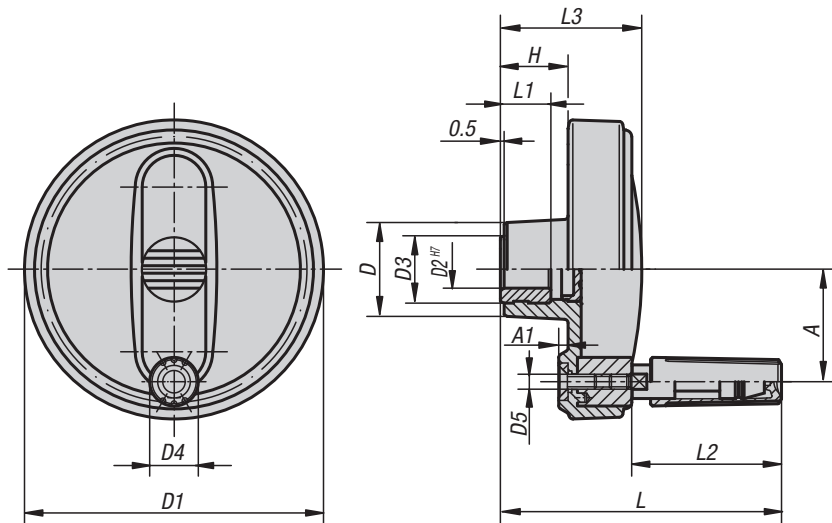
### KIPP Handwheels, without handle, metric

Item No.	Size	D	D1	D2	D3	A1	H	L1	L3
K0256.108008	1	25	80	8H7	19	2,5	17,5	13	37,5
K0256.210010	2	28	100	10H7	19	3	20	13	44
K0256.210012	2	28	100	12H7	19	3	20	13	44
K0256.312512	3	35	125	12H7	25	4	23,5	18,5	53
K0256.416014	4	45	160	14H7	25	5,6	28	18,5	64,5
K0256.416016	4	45	160	16H7	25	5,6	28	18,5	64,5

## Handwheels

with revolving handle

INCH Parts    METRIC Parts



**Material:**

Black gray thermoplastic.

**Type:**

Steel parts black oxide finish.

**Part Number Example:**

K0257.1080C0

**Note:**

The hub cap and the revolving grip are supplied loose. To assemble the grip, simply screw it into the existing hole.

The handwheels can be secured using a transverse pin or by parallel key connection together with a DIN 6912 socket head screw and a DIN 7349 washer.

For the inch series, dimension D2 is in inches, all other dimensions are in mm.

### KIPP Handwheels, with revolving handle, inch

Item No.	Size	D	D1	D2	D3	D4	D5	A	A1	H	L	L1	L2	L3
K0257.1080C0	1	25	80	0,375	19	13	M4	30	2,5	17,5	75	13	40	37,5
K0257.2100C0	2	28	100	0,375	19	16	M5	38	3	20	90	13	49,5	44
K0257.2100CP	2	28	100	0,5	19	16	M5	38	3	20	90	13	49,5	44
K0257.3125CP	3	35	125	0,5	25	20	M6	47,5	4	23,5	109	18,5	60	53
K0257.4160CP	4	45	160	0,5	25	25	M8	62	5,6	28	144	18,5	83,5	64,5
K0257.4160CQ	4	45	160	0,625	25	25	M8	62	5,6	28	144	18,5	83,5	64,5

### KIPP Handwheels, with revolving handle, metric

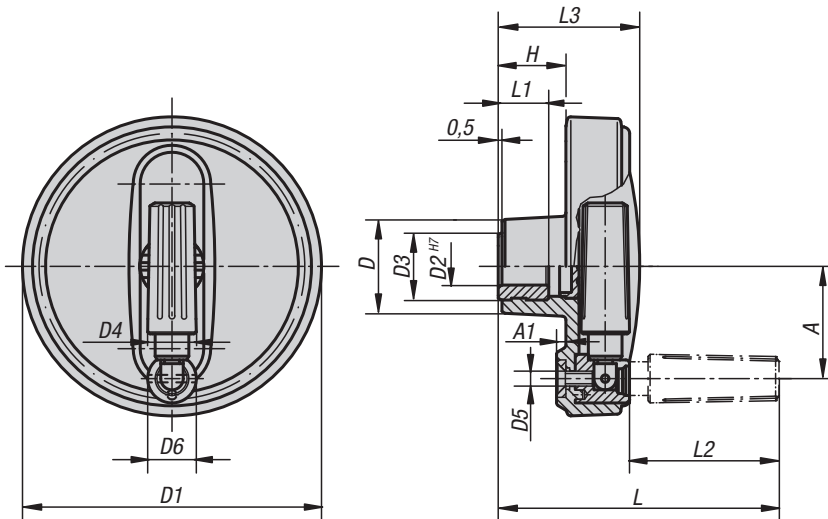
Item No.	Size	D	D1	D2	D3	D4	D5	A	A1	H	L	L1	L2	L3
K0257.108008	1	25	80	8H7	19	13	M4	30	2,5	17,5	75	13	40	37,5
K0257.210010	2	28	100	10H7	19	16	M5	38	3	20	90	13	49,5	44
K0257.210012	2	28	100	12H7	19	16	M5	38	3	20	90	13	49,5	44
K0257.312512	3	35	125	12H7	25	20	M6	47,5	4	23,5	109	18,5	60	53
K0257.416014	4	45	160	14H7	25	25	M8	62	5,6	28	144	18,5	83,5	64,5
K0257.416016	4	45	160	16H7	25	25	M8	62	5,6	28	144	18,5	83,5	64,5

## Handwheels

with fold-away handle



INCH Parts    METRIC Parts



**Material:**

Black gray thermoplastic.

**Type:**

Steel parts black oxide finish.

**Part Number Example:**

K0258.1080C0

**Note:**

The hub cap is supplied loose.

The handwheels can be secured using a transverse pin or by parallel key connection together with a DIN 6912 socket head screw and a DIN 7349 washer.

For the inch series, dimension D2 is in inches, all other dimensions are in mm.

### KIPP Handwheels, with fold-away handle, inch

Item No.	Size	D	D1	D2	D3	D4	D5	D6	A	A1	H	L	L1	L2	L3
K0258.1080C0	1	25	80	0,375	19	13	M4	13	30	2,5	17,5	75	13	40	37,5
K0258.2100C0	2	28	100	0,375	19	16	M5	16	38	3	20	90	13	49	44
K0258.2100CP	2	28	100	0,5	19	16	M5	16	38	3	20	90	13	49	44
K0258.3125CP	3	35	125	0,5	25	20	M6	20	47,5	4	23,5	109	18,5	59,5	53
K0258.4160CP	4	45	160	0,5	25	25	M8	26	62	5,6	28	144	18,5	83,5	64,5
K0258.4160CQ	4	45	160	0,625	25	25	M8	26	62	5,6	28	144	18,5	83,5	64,5

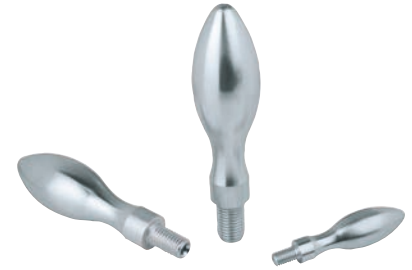
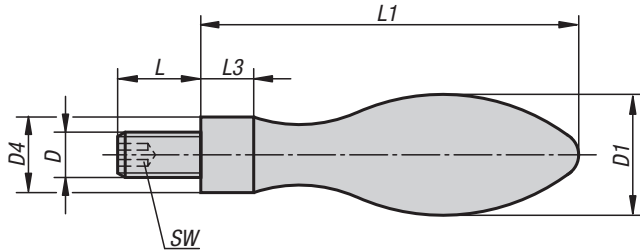
### KIPP Handwheels, with fold-away handle, metric

Item No.	Size	D	D1	D2	D3	D4	D5	D6	A	A1	H	L	L1	L2	L3
K0258.108008	1	25	80	8H7	19	13	M4	13	30	2,5	17,5	75	13	40	37,5
K0258.210010	2	28	100	10H7	19	16	M5	16	38	3	20	90	13	49	44
K0258.210012	2	28	100	12H7	19	16	M5	16	38	3	20	90	13	49	44
K0258.312512	3	35	125	12H7	25	20	M6	20	47,5	4	23,5	109	18,5	59,5	53
K0258.416014	4	45	160	14H7	25	25	M8	26	62	5,6	28	144	18,5	83,5	64,5
K0258.416016	4	45	160	16H7	25	25	M8	26	62	5,6	28	144	18,5	83,5	64,5

## Machine and Handwheel Handles

fixed DIN 39 Style E, in steel

METRIC  
Parts



**Material:**  
Handle and threaded stud in steel

**Type:**  
Handle and threaded stud trivalent blue passivated.

**Part Number Example:**  
K0166.0616050

**Note:**  
Machine Handle suitable for DIN 950 Handwheels and similar.

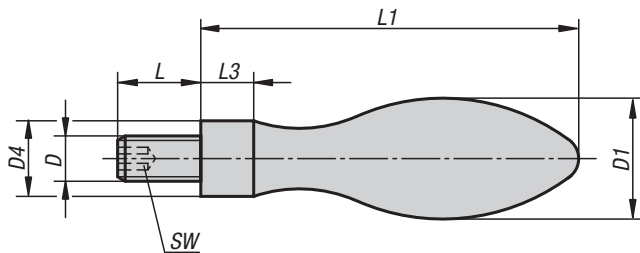
### KIPP Handwheel Handles, fixed, DIN 39 style E, steel, metric

Item No.	D	D1	D4	L	L1	L3	SW
K0166.0616050	M6	16	10	11	50	7	3
K0166.0820064	M8	20	13	13	64	8	4
K0166.1025080	M10	25	16	14	80	10	5
K0166.1232100	M12	32	20	21	100	13	6
K0166.1636112	M16	36	22	26	112	14	8

## Machine and Handwheel Handles

fixed DIN 39 Style E, in aluminum

METRIC  
Parts



**Material:**  
Grip aluminum.  
Screw steel.

**Type:**  
Grip polished.  
Screw black.

**Part Number Example:**  
K0167.0616050

**Note:**  
Machine Handle suitable for DIN 950 Handwheels and similar.

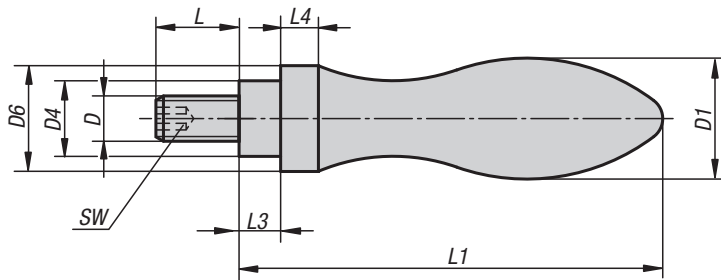
### KIPP Handwheel Handles, fixed, DIN 39 style E, aluminum, metric

Item No.	D	D1	D4	L	L1	L3	SW
K0167.0616050	M6	16	10	11	50	7	3
K0167.0820064	M8	20	13	13	64	8	4
K0167.1025080	M10	25	16	14	80	10	5
K0167.1232100	M12	32	20	21	100	13	6
K0167.1636112	M16	36	22	26	112	14	8

## Machine and Handwheel Handles

revolving, similar to DIN 98 Style E, in steel

METRIC  
Parts



**Material:**  
Grip and axle, steel.

**Type:**  
Grip and axle trivalent blue passivated.

**Part Number Example:**  
K0168.0616055

**Note:**  
The handles with D1=25 mm and 32 mm have a thread length L2 that is shorter than the length specified in DIN 98. These machine handles are suitable for DIN 950 handwheels.

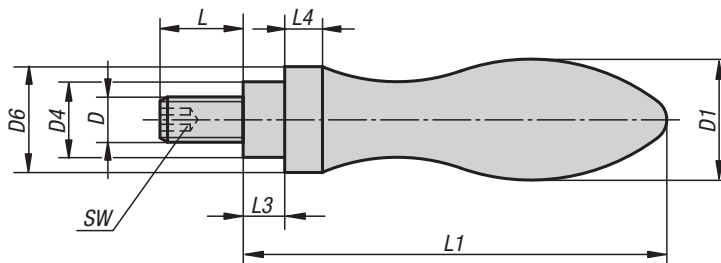
### KIPP Handwheel Handles, revolving, similar to DIN 98 style E, steel, metric

Item No.	D	D1	D4	D6	L	L1	L3	L4	SW
K0168.0616055	M6	16	10	14	11	54,5	5,5	5	3
K0168.0820067	M8	20	13	18	13	67	6	6	4
K0168.1025083	M10	25	16	21	13	83	8	6,5	5
K0168.1232105	M12	32	20	26	16	105,5	10,5	8	6
K0168.1636117	M16	36	22	29	26	117	11	9	8

## Machine and Handwheel Handles

revolving DIN 98 Style E, in aluminum

METRIC  
Parts



**Material:**  
Grip aluminum.  
Axle steel.

**Type:**  
Grip polished.  
Axle trivalent blue passivated.

**Part Number Example:**  
K0169.0616055

**Note:**  
Machine Handle suitable for DIN 950 Handwheels and similar.

### KIPP Handwheel Handles, revolving, DIN 98 style E, aluminum, metric

Item No.	D	D1	D4	D6	L	L1	L3	L4	SW
K0169.0616055	M6	16	10	14	11	54,5	5,5	5	3
K0169.0820067	M8	20	13	18	13	67	6	6	4
K0169.1025083	M10	25	16	21	13	83	8	6,5	5
K0169.1232105	M12	32	20	26	16	105,5	10,5	8	6
K0169.1636117	M16	36	22	29	26	117	11	9	8

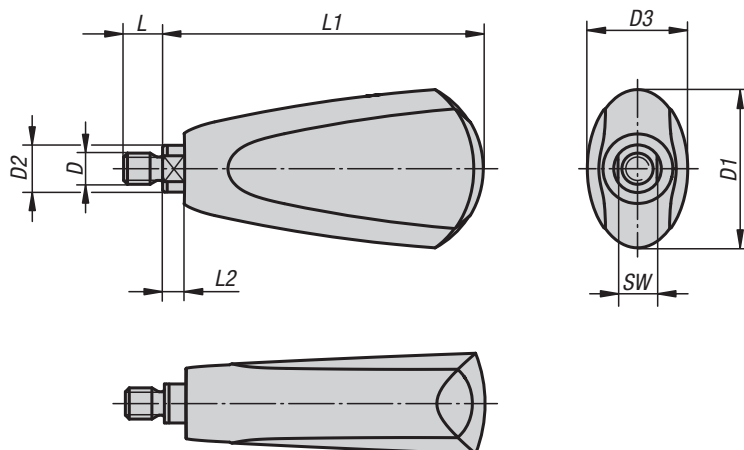


## Machine and Handwheel Handles

Revolving Taper Grips



INCH Parts    METRIC Parts



**Material:**

Thermoset PF 31, black.  
Center pin nickel-plated steel or bright stainless steel 1.4305 (AISI 303 equivalent).  
Snap ring stainless steel 1.4310 (AISI 310 equivalent).

**Type:**

High-polish finish.

**Part Number Example:**

K0651.1A2009

**Note:**

These grips are suitable as replacement handles for Disc Handwheels K0164.

For the inch series, dimension D is in inches, all other dimensions are in mm.

### KIPP Machine and Handwheel Handles, Revolving Taper Grips, inch

Item No. steel	Item No. stainless steel	D	D1	D2	D3	L	L1	L2	SW
K0651.1A2009	K0651.11A2009	1/4-20	25	8	18	9	54,7	4,5	7
K0651.2A3010	K0651.12A3010	5/16-18	41	12	26	10	82,2	5,5	10

### KIPP Machine and Handwheel Handles, Revolving Taper Grips, metric

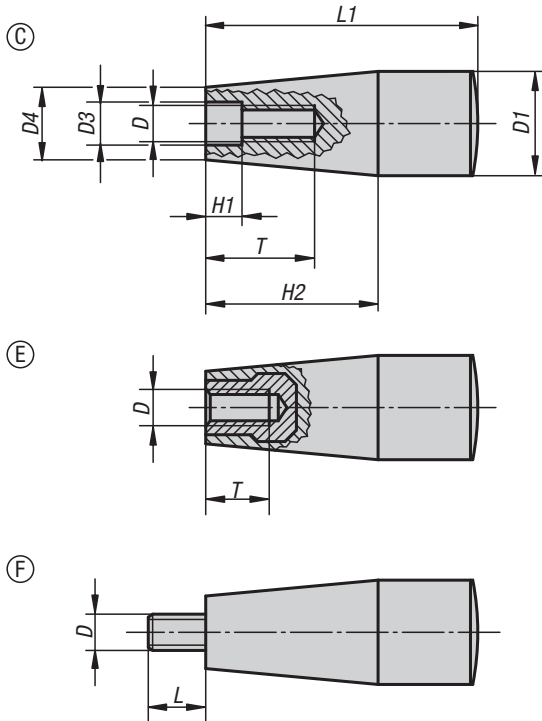
Item No. steel	Item No. stainless steel	D	D1	D2	D3	L	L1	L2	SW
K0651.106009	K0651.1106009	M6	25	8	18	9	54,7	4,5	7
K0651.208010	K0651.1208010	M8	41	12	26	10	82,2	5,5	10

## Machine and Handwheel Handles

fixed Taper Grips



METRIC  
Parts



**Material:**

Thermoset PF 31, black.  
Steel bushing and stud, electro zinc-plated.

**Type:**

High-polish finish.

**Part Number Example:**

K0172.106

**Note:**

The versions K0172.205 and K0172.206 have a brass bushing.

The versions K0172.208 and K0172.2081 have a copper-plated steel bushing.

**On request:**

Other colors.

**Drawing reference:**

Style C: molded female thread

Style E: tapped bushing

Style F: external thread

### KIPP Taper Grip Handles with internal thread, metric

Item No.	Style	D	D1	D3	D4	H1	H2	L1	T
K0172.106	C	M6	17	6,2	15	2	26	45	14
K0172.108	C	M8	17	8,2	13	2	26	45	16
K0172.1081	C	M8	23	8,5	18	2	38	61	24
K0172.110	C	M10	29	10,5	21	3,5	42	71	28
K0172.205	E	M5	17	-	15	-	26	45	10
K0172.206	E	M6	17	-	15	-	26	45	9
K0172.208	E	M8	23	-	18	-	38	61	14
K0172.2081	E	M8	28	-	21	-	42	71	14

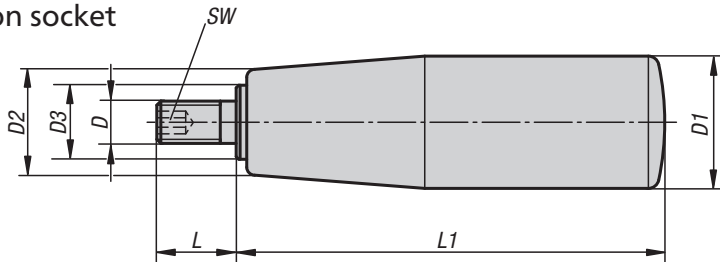
### KIPP Taper Grip Handles with external thread, metric

Item No.	Style	D	D1	D4	H2	L	L1
K0172.306	F	M6	17	15	26	18	45
K0172.308	F	M8	23	18	38	12	61
K0172.310	F	M10	29	21	42	20	71

## Cylindrical Grips Revolving

with hexagon socket

METRIC  
Parts



KIPP Cylindrical grips revolving with hexagon socket, metric

Item No.	D	D1	D2	D3	L	L1	SW
K0740.06200520	M6	20	15	10	12	51	3
K0740.06230620	M6	23	18	10	12	62	3
K0740.08230620	M8	23	18	10	15	62	4
K0740.08250720	M8	25	19	10	15	71	4
K0740.08250810	M8	26	22	14	15	81	4
K0740.10250720	M10	25	19	10	15	71	4
K0740.10250810	M10	26	22	14	15	81	5
K0740.10270930	M10	27	22	14	15	92	5
K0740.12260820	M12	26	22	14	15	81	5
K0740.12270930	M12	27	22	14	15	92	5



**Material:**

Grip thermoplastic.  
Steel parts electro zinc-plated.

**Type:**

Black satin finished.

**Part Number Example:**

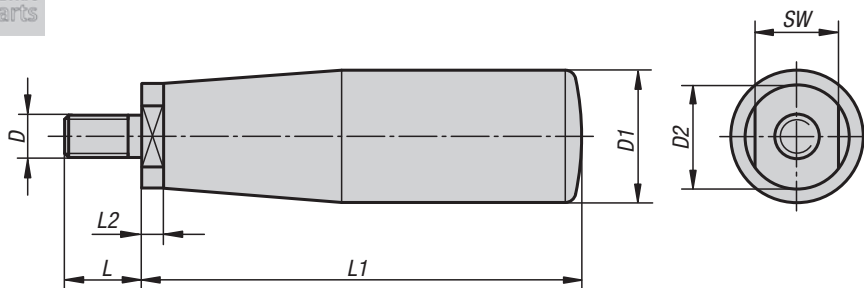
K0740.08230620

**Note:**

Cylindrical grips can be screwed onto our handwheels, crank handles etc.

## Cylindrical Grips Revolving

METRIC  
Parts



KIPP Cylindrical grips revolving, metric

Item No.	D	D1	D2	L	L1	L2	SW
K0774.06200500	M6	20	12	12	55	5	10
K0774.08230600	M8	23	14	15	67	7	13
K0774.08250690	M8	25	14	15	77	7	13
K0774.10250690	M10	25	14	15	77	7	13
K0774.10250800	M10	26	18	15	86	7	16
K0774.12250800	M12	26	18	15	86	7	16
K0774.10270890	M10	27	18	15	97	7	16
K0774.12270890	M12	27	18	15	97	7	16



**Material:**

Grip thermoplastic.  
Steel parts electro zinc-plated.

**Type:**

Black satin finished.

**Part Number Example:**

K0774.08230600

**Note:**

Cylindrical grips can be screwed onto our handwheels, crank handles etc.

## Cylindrical Grips

fold-down



METRIC  
Parts

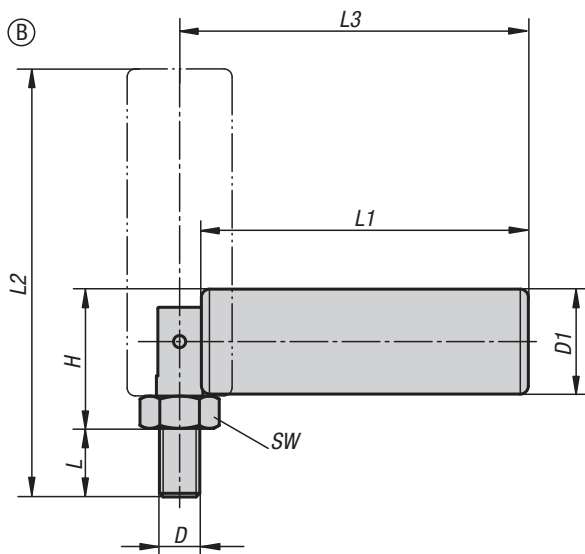
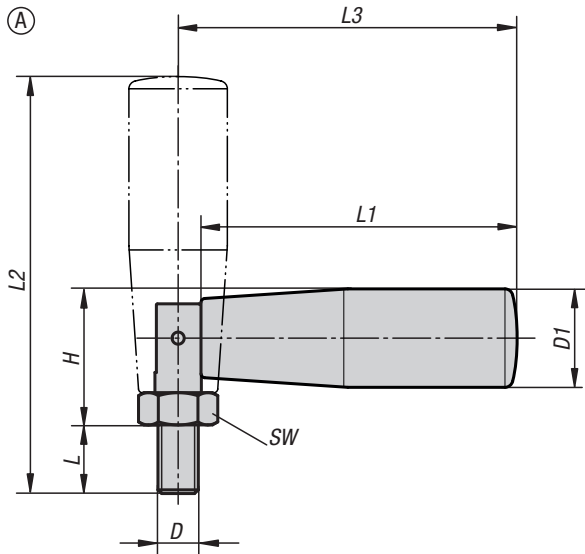


**Material:**  
Grip thermoplastic.  
Steel parts black oxide finish.

**Type:**  
Black satin finished.

**Part Number Example:**  
K0775.10260890

**Note:**  
Cylindrical grips can be screwed onto our handwheels, crank handles etc.



### KIPP Cylindrical grips fold-down, metric

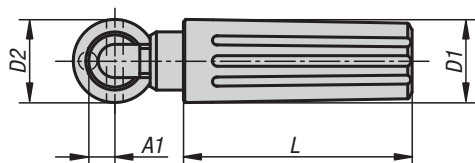
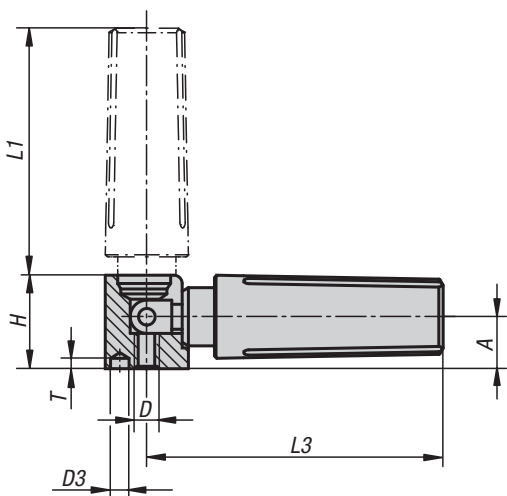
Item No.	Style	D	D1	SW	L	L1	L2	L3	H
K0775.06200490	A	M6	20	10	9	49	63	53	24,5
K0775.08250690	A	M8	25	13	11	70	87,5	74	28
K0775.10260890	B	M10	26	17	16	90	114	96	34

## Machine and Handwheel Handles

fold-down



INCH Parts    METRIC Parts



**Material:**  
Black gray thermoplastic.

**Type:**  
Steel parts black oxide finish.

**Part Number Example:**  
K0264.1AE

**Note:**  
The Handles are supplied assembled and can be fitted to handwheels, cranks or any other operating element. The hole D3 is used for positioning.

For the inch series, dimension D is in inches, all other dimensions are in mm.

### KIPP Fold-Down Handles, inch

Item No.	A	A1	D	D1	D2	D3	H	L	L1	L3	T
K0264.1AE	8	4,3	8-32	13	13	2,5	14,5	35	40	47	4,5
K0264.2A1	10	5,3	10-32	16	16	3,5	18	44	49	58	4,5
K0264.3A2	12,5	6,5	1/4-20	20	20	4,5	22,5	55	59,5	71,5	6
K0264.4A3	16	9	5/16-18	25	26	5,5	29	70,5	83,5	98,5	6,5

### KIPP Fold-Down Handles, metric

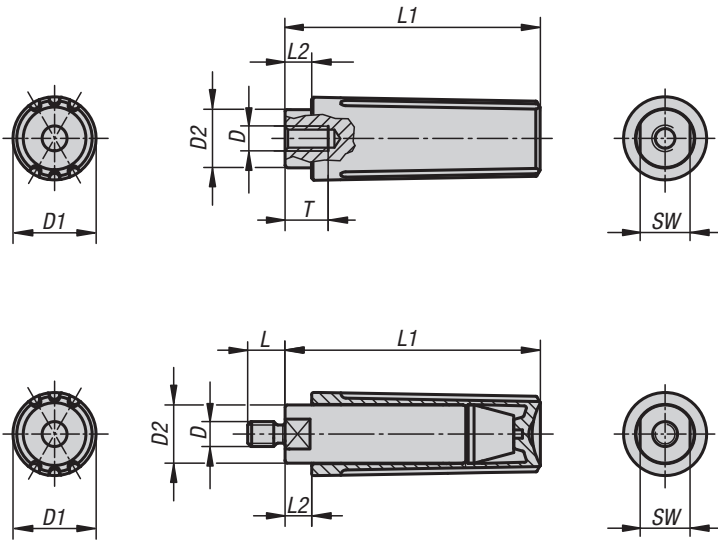
Item No.	A	A1	D	D1	D2	D3	H	L	L1	L3	T
K0264.104	8	4,3	M4	13	13	2,5	14,5	35	40	47	4,5
K0264.205	10	5,3	M5	16	16	3,5	18	44	49	58	4,5
K0264.306	12,5	6,5	M6	20	20	4,5	22,5	55	59,5	71,5	6
K0264.408	16	9	M8	25	26	5,5	29	70,5	83,5	98,5	6,5

## Machine and Handwheel Handles

revolving

INCH Parts    METRIC Parts

Expanded Line



**Material:**

Black gray thermoplastic.

**Type:**

Steel parts black oxide finish.

**Part Number Example:**

K0263.1AE

**Note:**

The handles are supplied assembled and can be fitted to handwheels, cranks or any other operating element.

For the inch series, dimension D is in inches, all other dimensions are in mm.

## Machine and Handwheel Handles

revolving



## KIPP Revolving Handles, inch, external thread

Item No.	D	D1	D2	L	L1	L2	SW
K0263.1AE	8-32	13	9	6	40	5	8
K0263.2A1	10-32	16	11	7,5	49,1	5,1	10
K0263.3A2	1/4-20	20	14	9	61,4	6,4	12
K0263.4A3	5/16-18	25	18	12	83	12,5	15

## KIPP Revolving Handles, inch, internal thread

Item No.	D	D1	D2	L1	L2	T	SW
K0263.11AE	8-32	13	9	40	5	8	8
K0263.12A1	10-32	16	11	49,1	5,1	10	10
K0263.13A2	1/4-20	20	14	61,4	6,4	12	12
K0263.14A3	5/16-18	25	18	83	12,5	16	15

## KIPP Revolving Handles, metric, external thread

Item No.	D	D1	D2	L	L1	L2	SW
K0263.104	M4	13	9	6	40	5	8
K0263.205	M5	16	11	7,5	49,1	5,1	10
K0263.306	M6	20	14	9	61,4	6,4	12
K0263.408	M8	25	18	12	83	12,5	15

## KIPP Revolving Handles, metric, internal thread

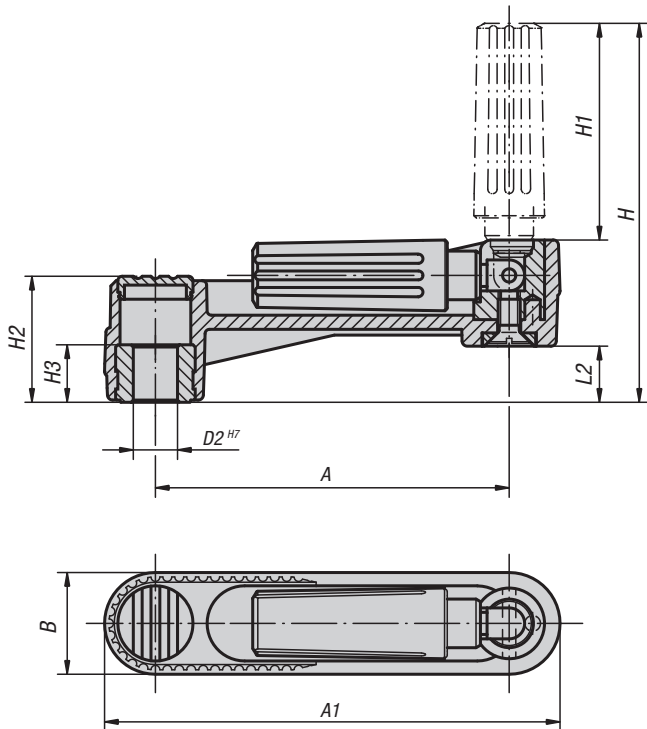
Item No.	D	D1	D2	L1	L2	T	SW
K0263.1104	M4	13	9	40	5	8	8
K0263.1205	M5	16	11	49,1	5,1	10	10
K0263.1306	M6	20	14	61,4	6,4	12	12
K0263.1408	M8	25	18	83	12,5	16	15

## Crank Handles

with fold-away grip



INCH Parts    METRIC Parts



**Material:**

Black gray thermoplastic.

**Type:**

Steel parts black oxide finish.

**Part Number Example:**

K0266.11C0

**Note:**

The hub cap is supplied loose. The crank handle can be secured to a shaft using a transverse pin or by parallel key connection together with a DIN 6912 socket head screw and a DIN 7349 washer.

For the inch series, dimension D2 is in inches, all other dimensions are in mm.

**KIPP Crank Handles, with fold-away grip, inch**

Item No.	Size	A	D	D2	H	H1	H2	H3	L	L2
K0266.11C0	1	80	24	0,375	85.5	49	29	13	104	13
K0266.12C0	2	100	29	0,375	105	59,5	36	13	129	16
K0266.12CP	2	100	29	0,5	105	59,5	36	13	129	16
K0266.13CP	3	125	36	0,5	140	83,5	44	18,5	161	19,5

**KIPP Crank Handles, with fold-away grip, metric**

Item No.	Size	A	D	D2	H	H1	H2	H3	L	L2
K0266.1108	1	80	24	8	85.5	49	29	13	104	13
K0266.1210	2	100	29	10	105	59,5	36	13	129	16
K0266.1212	2	100	29	12	105	59,5	36	13	129	16
K0266.1312	3	125	36	12	140	83,5	44	18,5	161	19,5

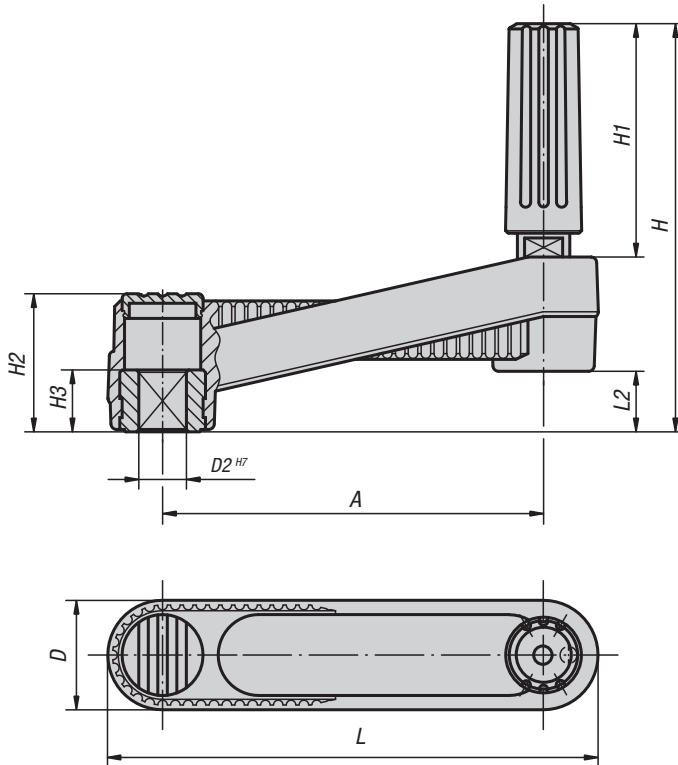


## Crank Handles

with revolving grip



INCH Parts  
METRIC Parts



**Material:**  
Black gray thermoplastic.

**Type:**  
Steel parts black oxide finish.

**Part Number Example:**  
K0659.31C0

**Note:**  
The hub cap and the revolving grip are supplied loose. To assemble the handle simply screw the grip into the existing hole.  
The crank handles can be secured to a shaft by using a transverse pin or by parallel key connection together with a DIN 6912 cap screw and a DIN 7349 washer.

For the inch series, dimension D2 is in inches, all other dimensions are in mm.

### KIPP Crank Handles, with revolving grip, inch

Item No.	Size	A	D	D2	H	H1	H2	H3	L	L2
K0659.31C0	1	80	24	0,375	85.5	49	29	13	104	13
K0659.32C0	2	100	29	0,375	105	59,5	36	13	129	16
K0659.32CP	3	100	29	0,5	105	59,5	36	13	129	16
K0659.33CP	3	125	36	0,5	140	83,5	44	18,5	161	19,5

### KIPP Crank Handles, with revolving grip, metric

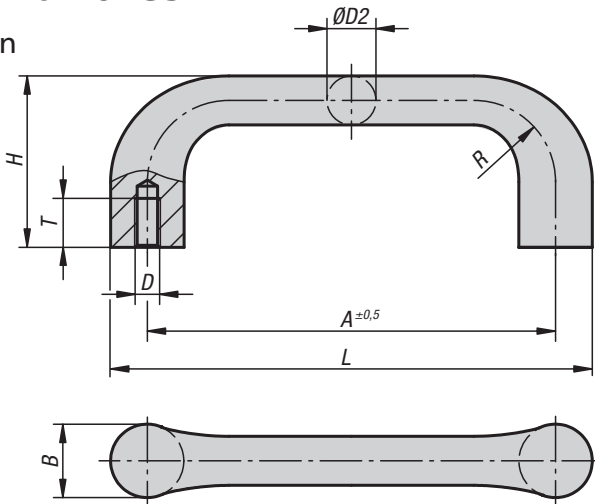
Item No.	Size	A	D	D2	H	H1	H2	H3	L	L2
K0659.3108	1	80	24	8	85.5	49	29	13	104	13
K0659.3210	2	100	29	10	105	59,5	36	13	129	16
K0659.3212	2	100	29	12	105	59,5	36	13	129	16
K0659.3312	3	125	36	12	140	83,5	44	18,5	161	19,5

## Pull Handles



cast iron

METRIC  
Parts



**Material:**  
Gray cast iron, GJS 400

**Type:**  
Tumbled, bright or black powder-coated.  
End faces machined.

**Part Number Example:**  
K0186.12510

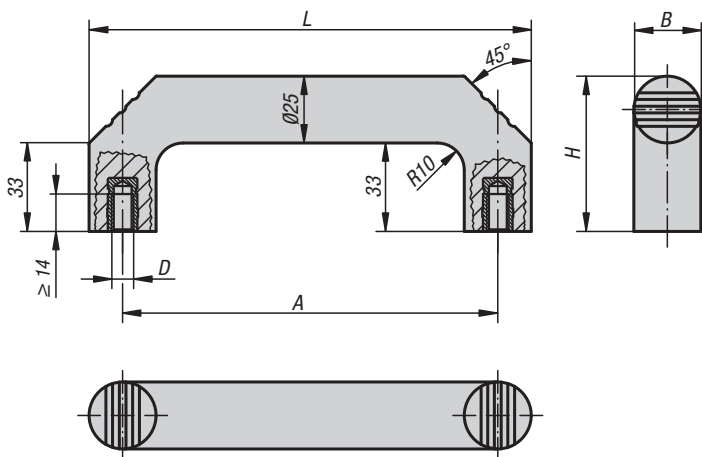
### KIPP Pull Handles, metric

Item No. bright	Item No. black	A	B	D	D2	H	L	R	T	Load capacity N
K0186.10006	K0186.100061	100	18	M6	12	42	118	20	12	1000
K0186.11208	K0186.112081	112	20	M8	14	47	132	22	15	1000
K0186.12510	K0186.125101	125	22	M10	16	53	147	24	18	1000
K0186.14012	K0186.140121	140	25	M12	18	59	165	26	20	1000

## Pull Handles

Thermoset

METRIC  
Parts



**Material:**  
Black thermoset PF 31.  
Bushing brass or electro zinc-plated steel.

**Type:**  
High-polish finish.

**Part Number Example:**  
K0188.114008

### KIPP Pull Handles, thermoset, metric

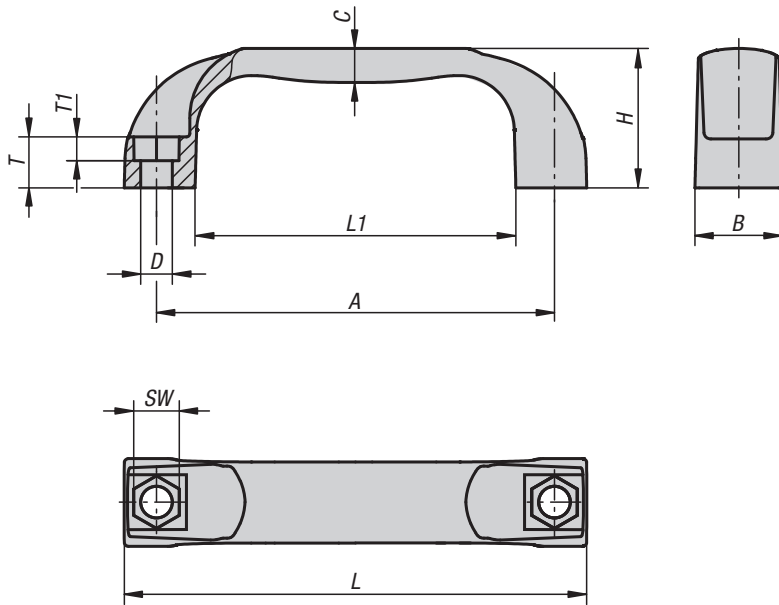
Item No.	Bushing material	A	B	D	H	L	Load capacity N
K0188.114008	brass	140	25	M8	58	165	500
K0188.214008	steel	140	25	M8	58	165	500

## Pull Handles

thermoplastic, front and rear mount



METRIC  
Parts



**Material:**

Glass-bead reinforced thermoplastic PA (polyamide) or fiberglass reinforced PP (polypropylene).

**Type:**

Black gray

**Part Number Example:**

K0190.113208

**Note:**

The fastening hole is designed to accept the head of a cap or hexagon head screw or a hexagon nut.

**On request:**

Other colors.

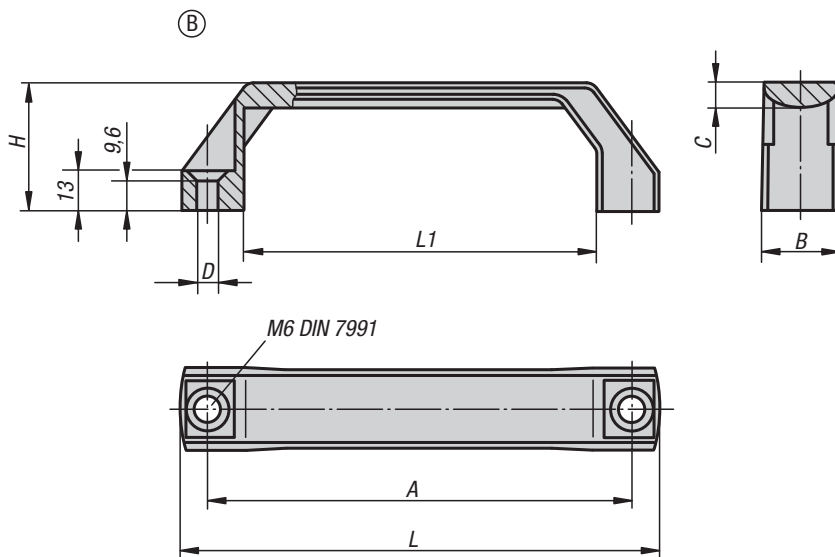
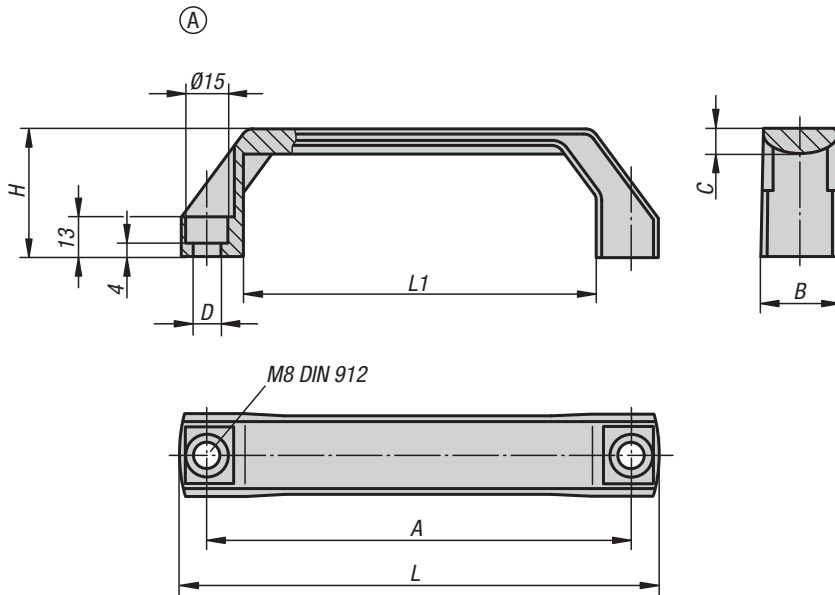
### KIPP Pull Handles thermoplastic, metric

Item No.	Main material	A	B	C	D	H	L	L1	SW	T	T1	Load capacity N
K0190.109406	polyamide	94	21	8	6,6	36	109	76	10	13	6	1000
K0190.111708	polyamide	117	26	10	9	41	136	94	13	15	8	1500
K0190.113208	polyamide	132	27	11	9	44	154	112	13	16	8	1500
K0190.117908	polyamide	179	28	11	9	50	197	156	13	17	8	1500
K0190.209406	polypropylene	94	21	8	6,6	36	109	76	10	13	6	500
K0190.211708	polypropylene	117	26	10	9	41	136	94	13	15	8	800
K0190.213208	polypropylene	132	27	11	9	44	154	112	13	16	8	800
K0190.217908	polypropylene	179	28	11	9	50	197	156	13	17	8	800

## Pull Handles

thermoplastic

METRIC  
Parts



**Material:**  
Glass-bead reinforced thermoplastic.

**Type:**  
Black RAL 7021 or orange.

**Part Number Example:**  
K0191.1120081

**Note:**  
Dimension "A" applies after mounting. Before mounting it can be up to 2 mm smaller due to the release of the bending stress.

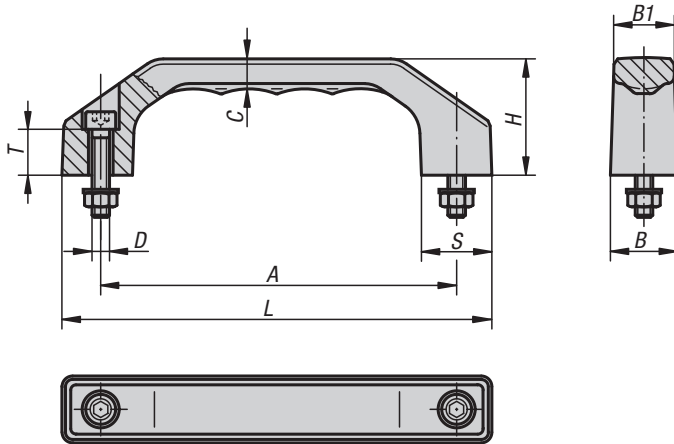
### KIPP Pull Handles thermoplastic, metric

Item No. Black gray RAL 7021	Item No. Orange	Style	A	B	C	D	H	L	L1	Load capacity N
K0191.1120081	K0191.1120082	A	120	26	8	9	42	138	96	1000
K0191.1140081	K0191.1140082	A	140	26	8	9	42	158	116	1000
K0191.1160081	K0191.1160082	A	160	28	9	9	45	178	136	1000
K0191.2120061	K0191.2120062	B	120	26	8	6,6	42	138	96	1000
K0191.2140061	K0191.2140062	B	140	26	8	6,6	42	158	116	1000
K0191.2160061	K0191.2160062	B	160	28	9	6,6	45	178	136	1000

## Pull Handles

thermoplastic

METRIC  
Parts



**Material:**

Glass-bead reinforced thermoplastic.

**Type:**

Matte black with fine texture.

**Part Number Example:**

K0200.140082

**Note:**

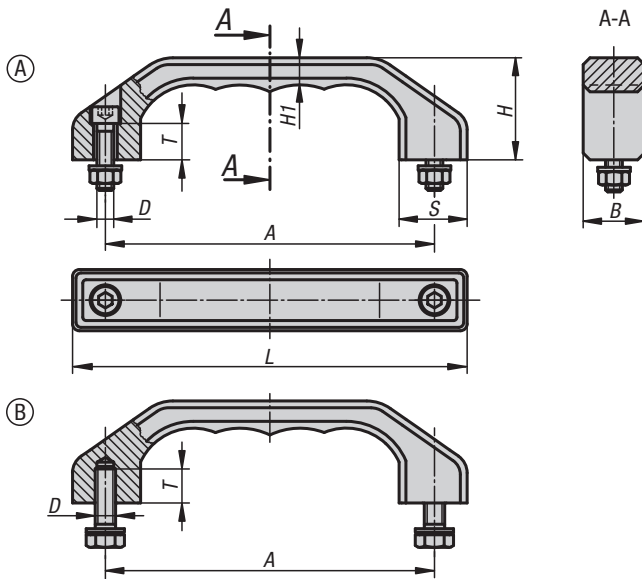
These handles are extremely flex-resistant and very user friendly. Fastening screws, nuts and washers are supplied. Stainless steel fasteners are supplied for wet areas.

### KIPP Pull Handles thermoplastic, metric

Item No. -	Item No. wet area	A	B	C	C1	C2	D	H	S	T	Load capacity N
K0200.100051	K0200.100052	100	122	8,5	19	17	M5x22	35	20	13	1000
K0200.120061	K0200.120062	120	146	10,5	23	20,5	M6X25	39	24	15	1000
K0200.140081	K0200.140082	140	170	12	27	24	M8x30	45	28	16	1000
K0200.160081	K0200.160082	160	194	13,5	31	27,5	M8x35	52	32	20	1000
K0200.180081	K0200.180082	180	218	15,5	35	31	M10x40	58	36	20	1000

## Pull Handles

stainless steel



**Material:**

Investment cast stainless steel 1.4308 (AISI "316" equivalent).  
Fasteners stainless steel 1.4301 (AISI 304 equivalent).

**Type:**

Abrasive cleaned and matte gloss electropolished.

**Part Number Example:**

K0198.140081

**Assembly:**

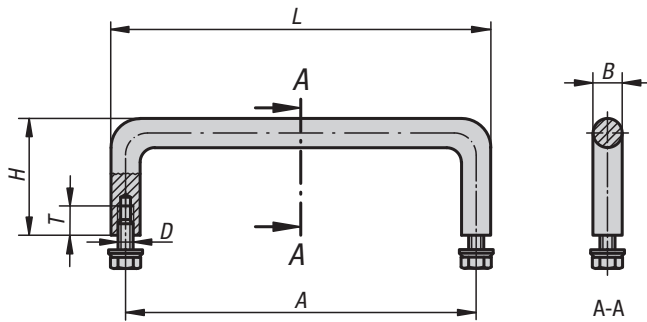
Style A from the front.  
Style B from the rear.

**KIPP Pull Handles, stainless steel, metric**

Item No.	Style	A	B	D	H	H1	L	S	T	Load capacity N
K0198.140081	A	140	25	M8x30	45	12	170	28	15	1000
K0198.180101	A	180	32	M10x40	58	15	218	36	18	1000
K0198.140082	B	140	25	M8x18	45	12	170	28	15	1000
K0198.180102	B	180	32	M10x20	58	15	218	36	18	1000

## Pull Handles

stainless steel, round profile



**Material:**

Pull Handle stainless steel 1.4404 (AISI 316L equivalent).  
Fasteners quality class A4.

**Type:**

Semi-gloss vibratory ground.

**Part Number Example:**

K0206.120

**Note:**

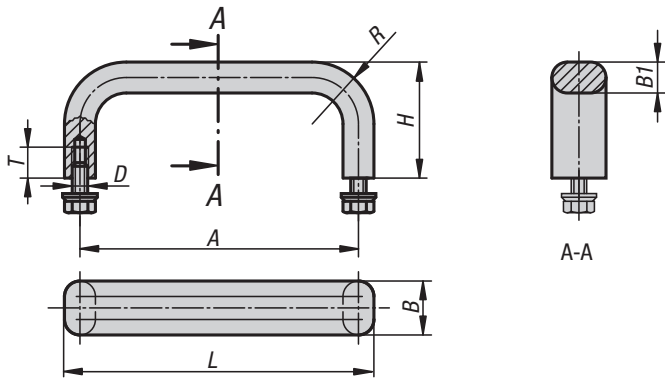
Stainless steel pull handles are used mainly on equipment in the medical and food industry as well as in laboratories and other hi-tech environments.

**KIPP Pull Handles, stainless steel, round profile, metric**

Item No.	A	B	D	H	L	T	Load capacity N
K0206.100	100	8	M5x10	35	108	10	1000
K0206.120	120	10	M5x10	40	130	10	1000
K0206.250	250	10	M5x10	40	260	10	1000
K0206.350	350	10	M5x10	40	360	10	1000

## Pull Handles

stainless steel, rectangular profile



**Material:**

Pull Handle stainless steel 1.4404  
(AISI 316L equivalent).  
Fastener stainless steel 1.4301  
(AISI 304 equivalent).

**Type:**

Vibratory ground semi-gloss finish.

**Part Number Example:**

K0208.10005

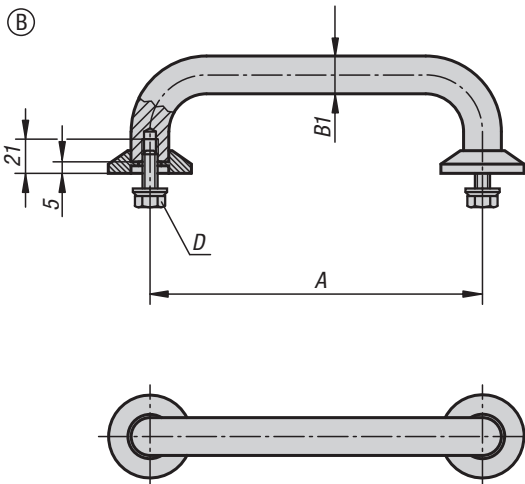
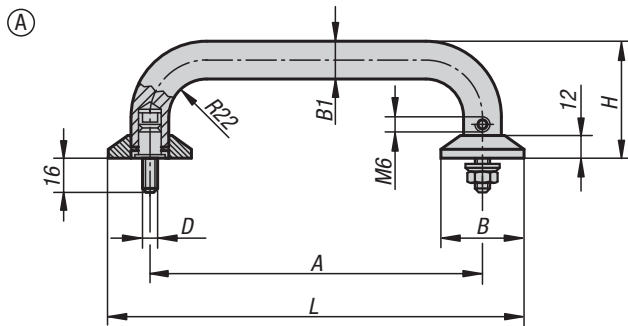
**KIPP Pull Handles, stainless steel, rectangular profile, metric**

Item No.	A	B	B1	D	H	L	R	T	Load capacity N
K0208.10005	100	12	8	M5x10	40	108	22	10	1000
K0208.12005	120	12	8	M5x10	40	128	22	10	1000
K0208.15005	150	12	8	M5x10	40	158	22	10	1000
K0208.18005	180	12	8	M5x10	40	188	22	10	1000
K0208.25005	250	12	8	M5x10	40	258	22	10	1000
K0208.10006	100	19,5	10	M6x12	45	108	24	12	1000
K0208.12006	120	19,5	10	M6x12	45	128	24	12	1000
K0208.15006	150	19,5	10	M6x12	45	158	24	12	1000
K0208.18006	180	19,5	10	M6x12	45	188	24	12	1000
K0208.25006	250	19,5	10	M6x12	45	258	24	12	1000



## Pull Handles

stainless steel, with cover plates



**Material:**

Pull Handle and fasteners stainless steel 1.4404 (AISI 316L equivalent).

**Type:**

Ground and satin brushed finish.

**Part Number Example:**

K0215.2001

**Note:**

These pull handles are ideal for all technical applications where top load rating and high chemical or corrosive resistance is required.

**Assembly:**

Style A from the front.

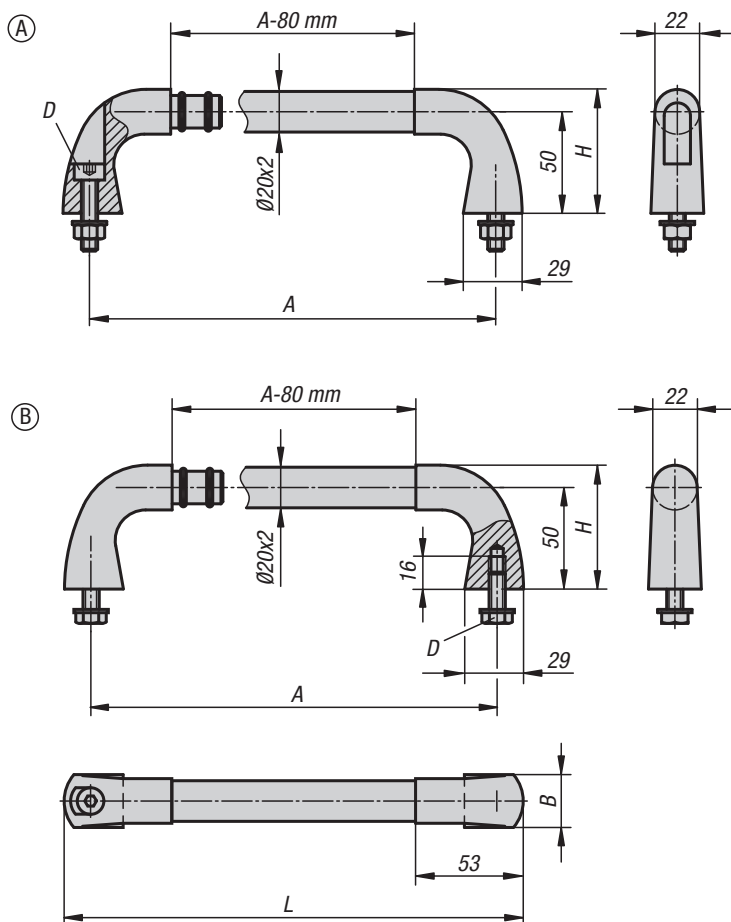
Style B from the rear.

**KIPP Pull Handles, stainless steel, with cover plates, metric**

Item No.	Style	A	B	B1	D	H	L	Load capacity N
K0215.2001	A	200	50	20	M8	75	250	1000
K0215.2501	A	250	50	20	M8	75	300	1000
K0215.2002	B	200	50	20	M8	75	250	1000
K0215.2502	B	250	50	20	M8	75	300	1000

## Pull Handles

stainless steel, three-piece tube design



**Material:**

Grip tube and fasteners stainless steel 1.4301 (AISI 304 equivalent).  
 Legs investment cast stainless steel 1.4581 (AISI 316Nb equivalent).

**Type:**

Grip tube finely ground or with ribbed black plastic sleeve.  
 Legs abrasive cleaned and matte gloss electropolished.

**Part Number Example:**

K0227.200081

**Note:**

Cap screws with nuts and washers are supplied for Style A handles for mounting from the front.  
 Hexagon head screws and washers are supplied for Style B handles for mounting from the rear.

**KIPP Pull Handles stainless steel, three-piece tube design, metric**

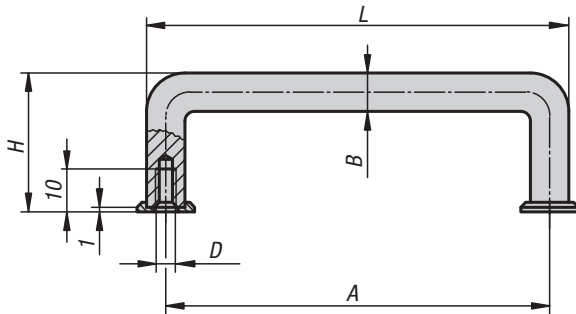
Item No.	Style	Main color	A	B	D	H	L	Load capacity N
K0227.200081	A	Ground	200	26	M8x35	60	226	1000
K0227.300081	A	Ground	300	26	M8x35	60	326	1000
K0227.400081	A	Ground	400	26	M8x35	60	426	1000
K0227.200082	A	black plastic ribbed	200	26	M8x35	60	226	1000
K0227.300082	A	black plastic ribbed	300	26	M8x35	60	326	1000
K0227.400082	A	black plastic ribbed	400	26	M8x35	60	426	1000
K0227.200083	B	Ground	200	26	M8x20	60	226	1000
K0227.300083	B	Ground	300	26	M8x20	60	326	1000
K0227.400083	B	Ground	400	26	M8x20	60	426	1000
K0227.200084	B	black plastic ribbed	200	26	M8x20	60	226	1000
K0227.300084	B	black plastic ribbed	300	26	M8x20	60	326	1000
K0227.400084	B	black plastic ribbed	400	26	M8x20	60	426	1000

## Pull Handles

aluminum

19"

METRIC  
Parts



**Material:**

Round aluminum

**Type:**

Surface matte-finished and natural color or black anodized

**Part Number Example:**

K0201.055051

**Note:**

End washers not included.  
Order separately by the each.

### KIPP Pull Handles, aluminum, metric

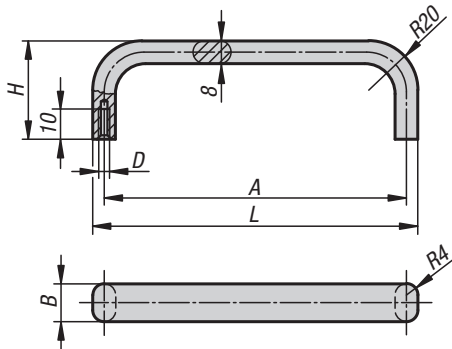
Item No.	Main color	A	B	D	H	L	Load capacity N	Order No. end washer
K0201.055051	black	55	10	M5	41	65	500	K0201.1
K0201.088051	black	88	10	M5	41	98	500	K0201.1
K0201.100051	black	100	10	M5	41	110	500	K0201.1
K0201.120051	black	120	10	M5	41	130	500	K0201.1
K0201.180051	black	180	10	M5	41	190	500	K0201.1
K0201.200051	black	200	10	M5	41	210	500	K0201.1
K0201.235051	black	235	10	M5	41	245	500	K0201.1
K0201.250051	black	250	10	M5	41	260	500	K0201.1
K0201.055053	Natural	55	10	M5	41	65	500	K0201.3
K0201.088053	Natural	88	10	M5	41	98	500	K0201.3
K0201.100053	Natural	100	10	M5	41	110	500	K0201.3
K0201.120053	Natural	120	10	M5	41	130	500	K0201.3
K0201.180053	Natural	180	10	M5	41	190	500	K0201.3
K0201.200053	Natural	200	10	M5	41	210	500	K0201.3
K0201.235053	Natural	235	10	M5	41	245	500	K0201.3
K0201.250053	Natural	250	10	M5	41	260	500	K0201.3

## Pull Handles

aluminum

19"

METRIC  
Parts



**Material:**

Oval aluminum.

**Type:**

Surface matte-finished and natural color or black anodized.

**Part Number Example:**

K0202.055051

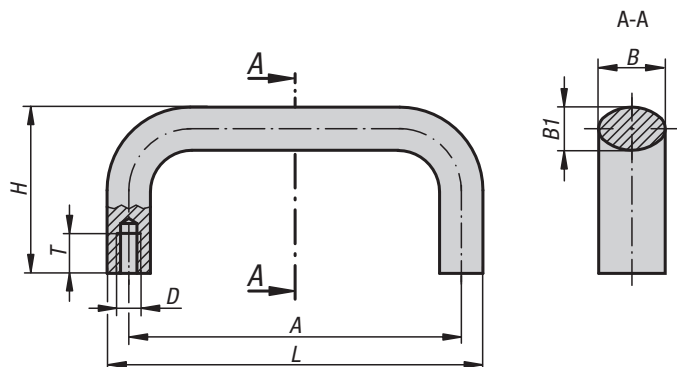
### KIPP Pull Handles, aluminum, metric

Item No. black	Item No. Natural	A	B	D	H	L	Load capacity N
K0202.055051	K0202.055053	55	12	M5	40	63	500
K0202.088051	K0202.088053	88	12	M5	40	96	500
K0202.100051	K0202.100053	100	12	M5	40	108	500
K0202.120051	K0202.120053	120	12	M5	40	128	500
K0202.180051	K0202.180053	180	12	M5	40	188	500
K0202.200051	K0202.200053	200	12	M5	40	208	500
K0202.235051	K0202.235053	235	12	M5	40	243	500
K0202.250051	K0202.250053	250	12	M5	40	258	500

## Pull Handles

aluminum

METRIC  
Parts



**Material:**

Oval aluminum EN AW-6060

**Type:**

Black powder-coated or natural color anodized.

**Part Number Example:**

K0204.10001

**Note:**

These handles are extremely robust and can be used where heavy duty equipment is called for.

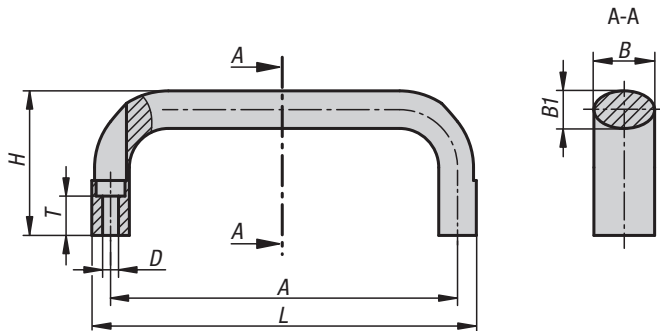
### KIPP Pull Handles, aluminum, metric

Item No. black powder-coated	Item No. natural anodized	A	B	B1	D	H	T	L	Load capacity N
K0204.10001	K0204.10003	100	21/20	13	M6	50	12	113	1000
K0204.11201	K0204.11203	112	21/20	13	M6	50	12	125	1000
K0204.12001	K0204.12003	120	21/20	13	M6	50	12	133	1000
K0204.12801	K0204.12803	128	21/20	13	M6	50	12	141	1000
K0204.1600106	K0204.1600306	160	21/20	13	M6	50	12	173	1000
K0204.1120108	K0204.1120308	112	25/26	17	M8	55	14	129	1000
K0204.1200108	K0204.1200308	120	25/26	17	M8	55	14	137	1000
K0204.1280108	K0204.1280308	128	25/26	17	M8	55	14	145	1000
K0204.16001	K0204.16003	160	25/26	17	M8	55	14	177	1000
K0204.18001	K0204.18003	180	25/26	17	M8	55	14	197	1000
K0204.19201	K0204.19203	192	25/26	17	M8	55	14	209	1000
K0204.35001	K0204.35003	350	25/26	17	M8	55	14	367	1000

## Pull Handles oval

with thru hole

METRIC  
Parts



**Material:**

Oval aluminum EN AW-6060

**Type:**

Black or Ruby red RAL 3003, powder-coated.

**Part Number Example:**

K0204.11120105

**Accessories:**

Use ISO 4762-M5/M6 or inch equivalent cap screws for mounting the handles.

### KIPP Pull Handles oval with thru hole, metric

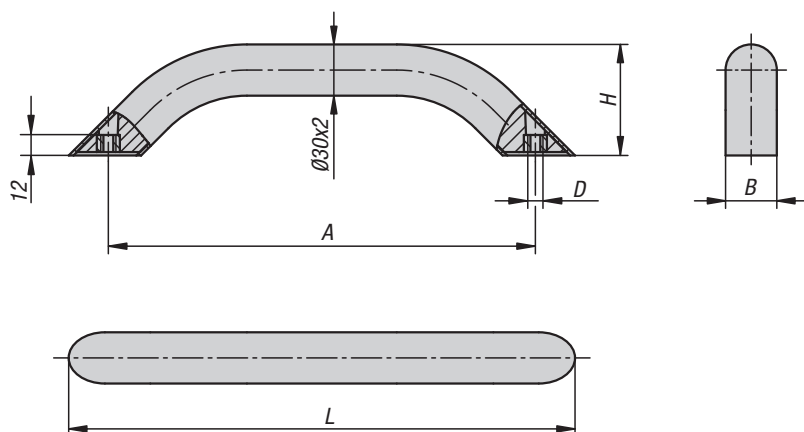
Item No. black powder-coated	Item No. red RAL3003 powder-coated	A	B	B1	D	H	L	T	Load capacity N
K0204.11000105	K0204.11002705	100	21	13	5,5	50	113	13,6	1000
K0204.11120105	K0204.11122705	112	21	13	5,5	50	125	13,6	1000
K0204.11120106	K0204.11122706	112	25	17	6,6	55	129	11	1000
K0204.11200105	K0204.11202705	120	21	13	5,5	50	133	13,6	1000
K0204.11200106	K0204.11202706	120	25	17	6,6	55	137	11	1000
K0204.11280105	K0204.11282705	128	21	13	5,5	50	141	13,6	1000
K0204.11280106	K0204.11282706	128	25	17	6,6	55	145	11	1000
K0204.11600105	K0204.11602705	160	21	13	5,5	50	173	13,6	1000
K0204.11600106	K0204.11602706	160	25	17	6,6	55	177	11	1000
K0204.11800106	K0204.11802706	180	25	17	6,6	55	197	11	1000

## Tubular handles compact



METRIC  
Parts

New Item



**Material:**

Aluminum EN AW-6060

**Type:**

Anodized natural tone or powder-coated black, ruby red RAL 3003 or traffic red RAL 3020.

**Part Number Example:**

K0795.300083

**Note:**

The grip impresses with a solid appearance combined with low weight. Closed design due to rear fastening.

**Assembly:**

When fitting, both screws must be screwed in first before tightening.

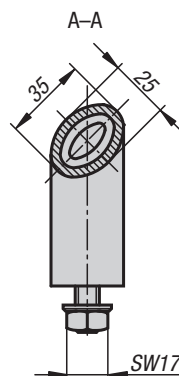
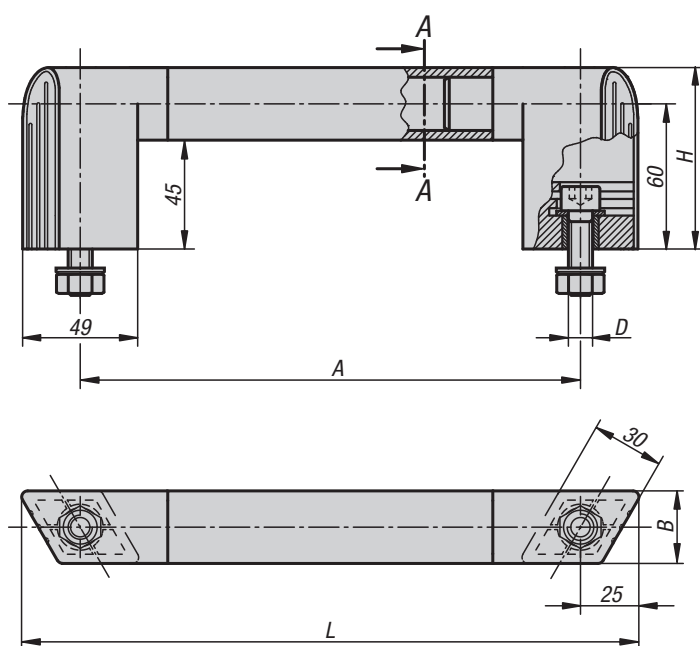
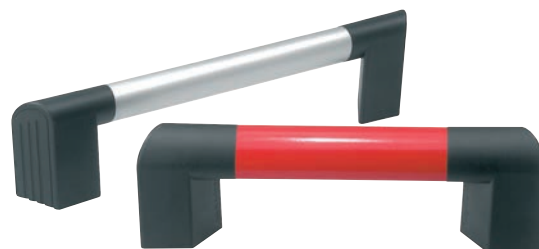
### KIPP Tubular handles compact

Item No.	Main color	A	B	D	H	L	Load capacity N
K0795.250083	natural anodized	250	30	M8	65	296,4	1000
K0795.300083	natural anodized	300	30	M8	65	346,4	1000
K0795.400083	natural anodized	400	30	M8	65	446,4	1000
K0795.500083	natural anodized	500	30	M8	65	546,4	1000
K0795.2500827	red RAL3003 powder-coated	250	30	M8	65	296,4	1000
K0795.3000827	red RAL3003 powder-coated	300	30	M8	65	346,4	1000
K0795.4000827	red RAL3003 powder-coated	400	30	M8	65	446,4	1000
K0795.5000827	red RAL3003 powder-coated	500	30	M8	65	546,4	1000
K0795.2500884	red RAL 3020 powder-coated	250	30	M8	65	296,4	1000
K0795.3000884	red RAL 3020 powder-coated	300	30	M8	65	346,4	1000
K0795.4000884	red RAL 3020 powder-coated	400	30	M8	65	446,4	1000
K0795.5000884	red RAL 3020 powder-coated	500	30	M8	65	546,4	1000
K0795.250081	black powdercoated	250	30	M8	65	296,4	1000
K0795.300081	black powdercoated	300	30	M8	65	346,4	1000
K0795.400081	black powdercoated	400	30	M8	65	446,4	1000
K0795.500081	black powdercoated	500	30	M8	65	546,4	1000

Big Hand



METRIC  
Parts



**Material:**

Legs thermoplastic.  
Oval tube aluminum.

**Type:**

Legs black gray.  
Oval grip coated or anodized.

**Part Number Example:**

K0231.118070 (grip color raspberry red)

**Note:**

The leg caps are supplied unassembled.

Supplied with:

For fastening versions 1+2 (DIN 912 cap screw)  
one set of M10 screws.

For fastening version 3 (DIN 571 hex head wood  
screw) one set of M5 screws with dowels, one  
drilling template and the mounting instructions.

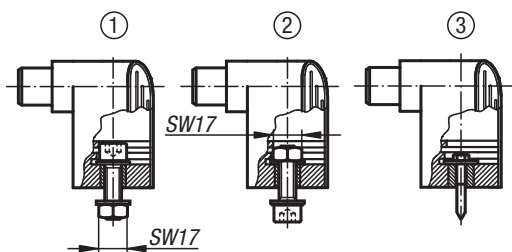
Δ Add the desired color code here; no color code is  
required with black gray oval tubes.

**On request:**

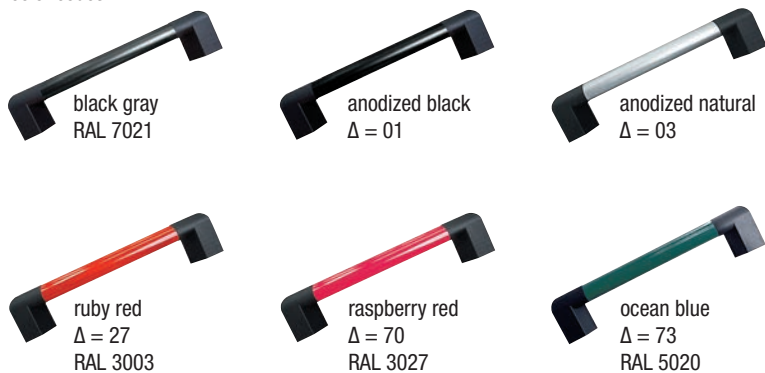
Special lengths "A".



### Mounting options



### color codes:



### KIPP Big Hand, metric

Item No. version 1+2	Item No. version 3	A	B	D	H	L	Load capacity N
K0231.1180Δ	K0231.118011Δ	180	32	M10x45/M5x50	75	230	1000/-
K0231.1200Δ	K0231.120011Δ	200	32	M10x45/M5x50	75	250	1000/-
K0231.1250Δ	K0231.125011Δ	250	32	M10x45/M5x50	75	300	1000/-
K0231.1300Δ	K0231.130011Δ	300	32	M10x45/M5x50	75	350	1000/-
K0231.1350Δ	K0231.135011Δ	350	32	M10x45/M5x50	75	400	1000/-
K0231.1400Δ	K0231.140011Δ	400	32	M10x45/M5x50	75	450	1000/-
K0231.1500Δ	K0231.150011Δ	500	32	M10x45/M5x50	75	550	1000/-
K0231.1600Δ	K0231.160011Δ	600	32	M10x45/M5x50	75	650	1000/-

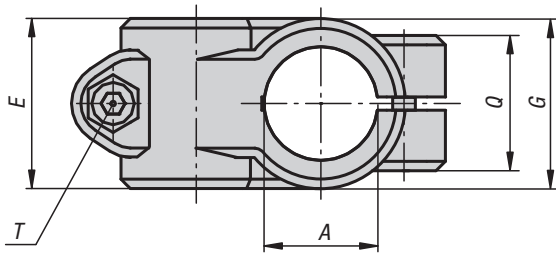
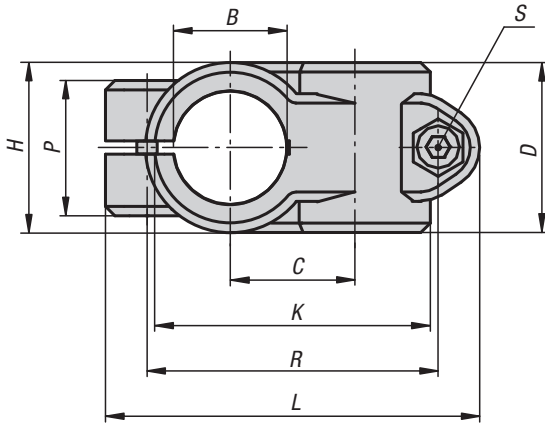
## Tube Clamps Cross

aluminum



INCH  
Parts

New Item



**Material:**

Cast aluminum.  
DIN 7984 screws and DIN 985 nuts, steel.

**Type:**

Vibratory ground.  
Screws and nuts electro zinc-plated.

**Part Number Example:**

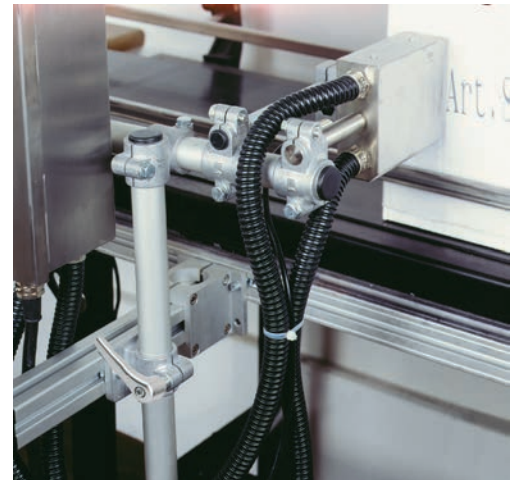
K0472.5CPCP

**Note:**

For the inch series, the dimensions for A and B are in inches, all other dimensions are in mm.

**On request:**

Adjustable handles for tightening.



**KIPP Tube Clamps, cross, aluminum, inch**

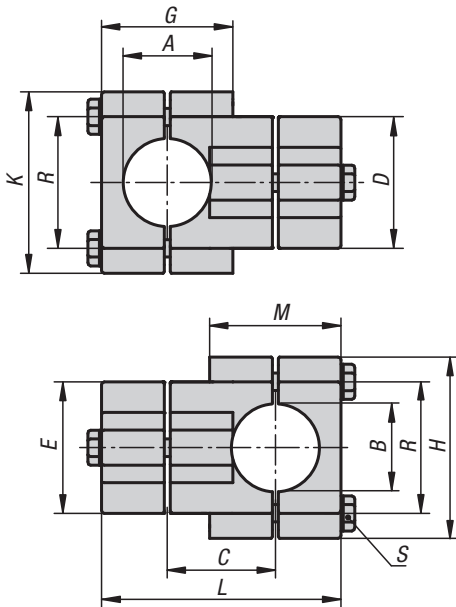
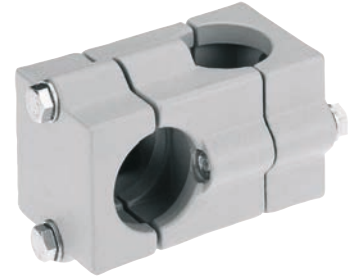
Item No.	A	B	C	D	E	G	H	K	L	P	Q	R	S	T
K0472.5CPCP	0.5	0.5	20	25,5	25,5	-	-	43,5	67	23	23	49	M6x20	M6x20
K0472.5CRCR	0.75	0.75	20	25,5	25,5	-	-	43,5	67	23	23	49	M6x20	M6x20
K0472.5CSCS	1	1	33	40	40	-	-	73	101	33	33	78	M8x25	M8x25
K0472.5CTCT	1.25	1.25	33	40	40	-	-	73	101	33	33	78	M8x25	M8x25
K0472.5D2D2	1.5	1.5	45	60	60	-	-	100	137	40	40	111	M10x30	M10x30
K0472.5D4D4	2	2	53	70	70	-	-	118	154	45	45	128	M10x35	M10x35
K0472.5PCPS	1	0.5	27	40	33	40	26	59	84	21	33	65	M8x25	M6x20
K0472.5CRCS	1	0.75	27	40	33	40	26	59	84	21	33	65	M8x25	M6x20

## Tube Clamps Cross

aluminum

INCH  
Parts

New Item



**Material:**

Cast aluminum.  
Screws and nuts steel.

**Type:**

Vibratory ground.  
Screws and nuts electro zinc-plated.

**Part Number Example:**

K0472.52D2D2

**Note:**

For the inch series, the dimensions for A and B are in inches, all other dimensions are in mm.

**On request:**

Adjustable handles for tightening.



**KIPP Tube Clamps, cross, aluminum, inch**

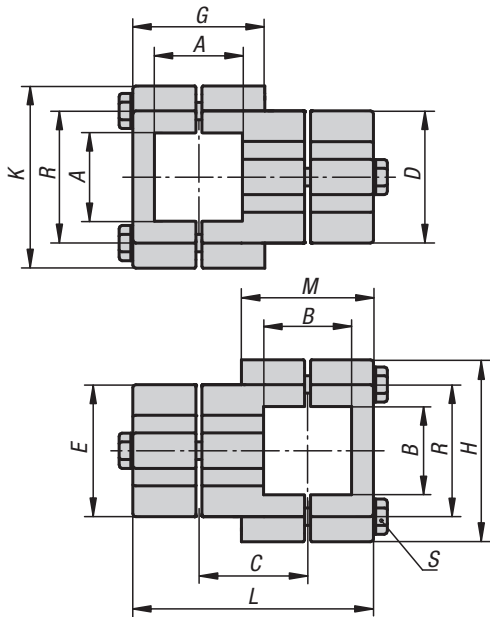
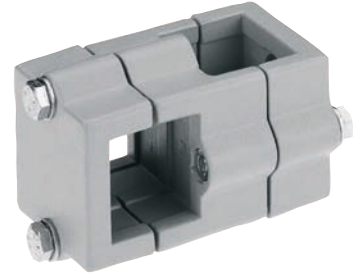
Item No.	A	B	C	D	E	G	H	K	L	M	R	S
K0472.52D2D2	1.5	1.5	50	60	60	61	75	75	111	61	57	M8x60

## Tube Clamps Cross

aluminum

INCH  
Parts

New Item



**Material:**

Cast aluminum.  
Screws and nuts steel.

**Type:**

Vibratory ground.  
Screws and nuts electro zinc-plated.

**Part Number Example:**

K0473.52D2D2

**Note:**

For the inch series, the dimensions for A and B are in inches, all other dimensions are in mm.

**On request:**

Adjustable handles for tightening.

**KIPP Tube Clamps, cross, aluminum, inch**

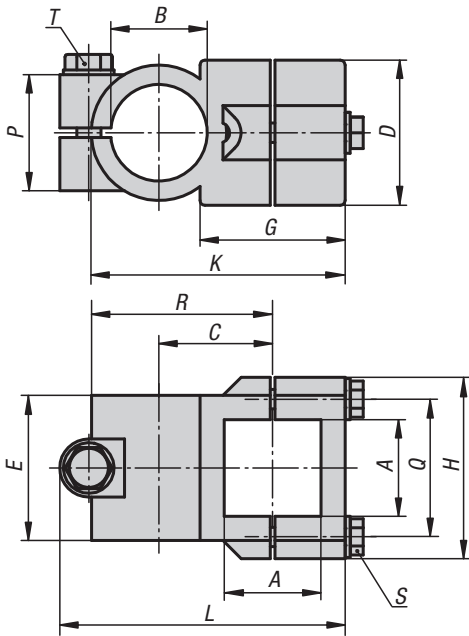
Item No.	A	B	C	D	E	G	H	K	L	M	R	S
K0473.52D2D2	1.5	1.5	50	60	60	61	75	75	111	61	57	M8x60

## Tube Clamps Cross

aluminum

INCH  
Parts

New Item



**Material:**

Cast aluminum.  
Screws and nuts steel.

**Type:**

Vibratory ground.  
Screws and nuts electro zinc-plated.

**Part Number Example:**

K0474.5CSCS

**Note:**

For the inch series, the dimensions for A and B are in inches, all other dimensions are in mm.

**On request:**

Adjustable handles for tightening.

**KIPP Tube Clamps, cross, aluminum, inch**

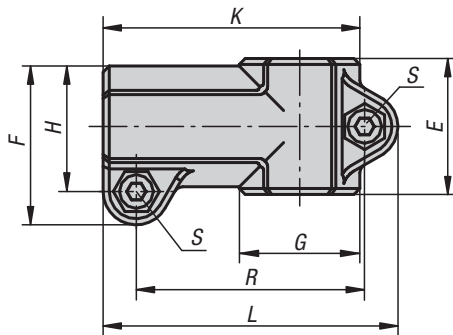
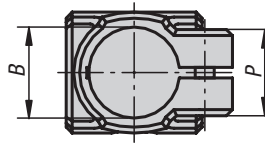
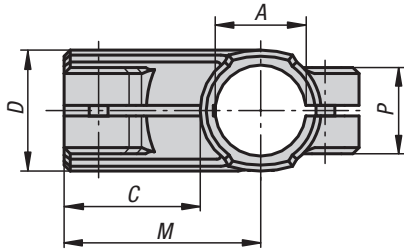
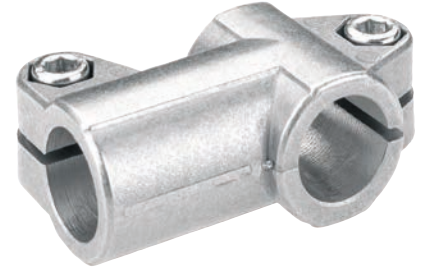
Item No.	A	B	C	D	E	G	H	K	L	P	Q	R	S	T
K0474.5CSCS	1	1	33	45	45	40	62	76	86	33	46	55	M8x35	M8x35

## Tube Clamps T-angle

aluminum

INCH  
Parts

New Item



**Material:**

Cast aluminum.

DIN 7984 screws and DIN 985 nuts, steel.

**Type:**

Vibratory ground.

Screws and nuts electro zinc-plated.

**Part Number Example:**

K0475.5CPCP

**Note:**

For the inch series, the dimensions for A and B are in inches, all other dimensions are in mm.

**On request:**

Adjustable handles for tightening.

**KIPP Tube Clamps T-angle, aluminum, inch**

Item No.	A	B	C	D	E	F	G	H	K	L	M	P	R	S
K0475.5CPCP	0.5	0.5	28	25	32	35,5	25	30	56	66	43	23	49	M6x20
K0475.5CRCR	0.75	0.75	28	25	32	35,5	25	30	56	66	43	23	49	M6x20
K0475.5CSCS	1	1	38	40	45	53	40	42,5	80	93	60	33	72,5	M8x25
K0475.5CTCT	1.25	1.25	38	40	45	53	40	42,5	80	93	60	33	72,5	M8x25
K0475.5D2D2	1.5	1.5	55	56	60	74	56	61	116	134	88	40	108	M10x30
K0475.5D4D4	2	2	63	66	66	84	66	71	131	149	98	45	123	M10x35

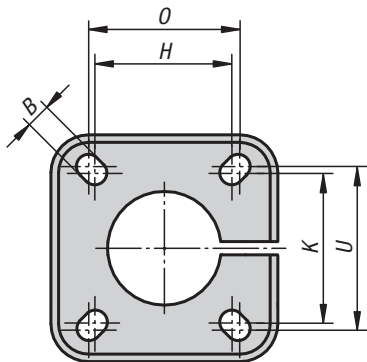
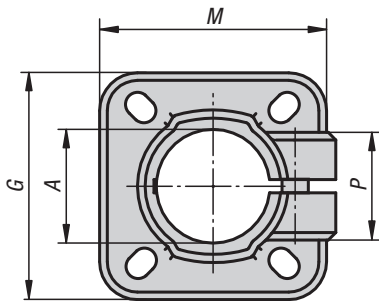
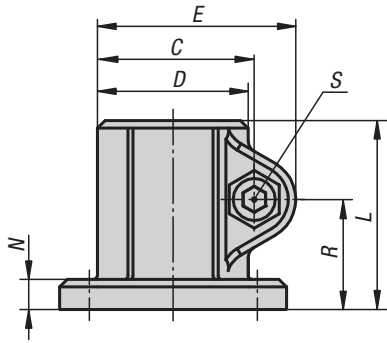
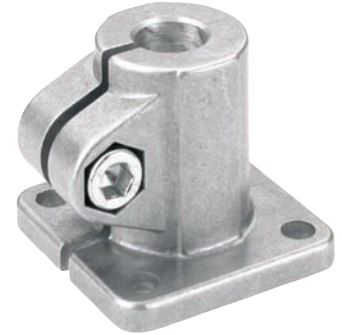
## Tube Clamps Base

aluminum

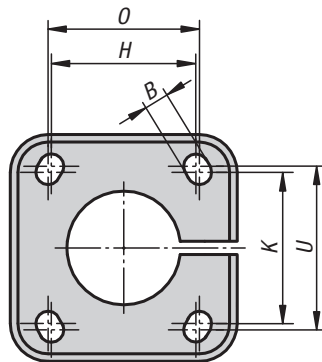


INCH  
Parts

New Item



①



②

**Material:**

Cast aluminum.  
DIN 7984 screws and DIN 985 nuts, steel.

**Type:**

Vibratory ground.  
Screws and nuts electro zinc-plated.

**Part Number Example:**

K0477.5CP

**Note:**

For the inch series, the dimensions for A are in inches, all other dimensions are in mm.

**On request:**

Adjustable handles for tightening.

**KIPP Tube Clamps, base, aluminum, inch**

Item No.	hole arrangement	A	B	C	D	E	G	H	K	L	M	N	O	P	R	S	U
K0477.5CP	1	0.5	6	27	25	35,5	42	28	28	37	42	5	30	23	21	M6x20	30
K0477.5CR	1	0.75	6	27	25	35,5	42	28	28	37	42	5	30	23	21	M6x20	30
K0477.5CS	2	1	7	42,5	40	53	60	40	42	50	60	8	42	33	29	M8x25	45
K0477.5D2	1	1.5	9	61	56	74	90	60	60	70	90	10	64	40	40	M10x30	64
K0477.5D4	1	2	11	70	66	84	105	74	74	85	105	14	80	45	49,5	M10x35	80

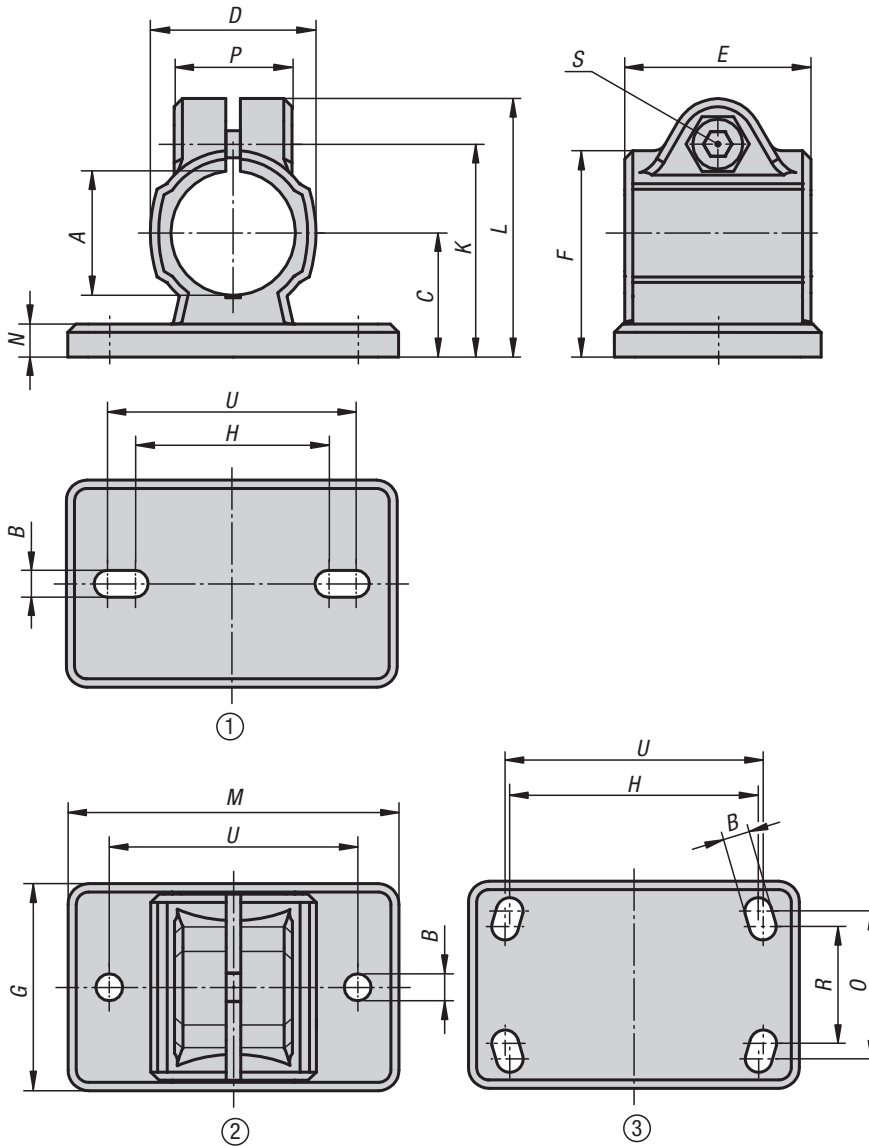
## Tube Clamps Flange

aluminum



INCH  
Parts

New Item



**Material:**

Cast aluminum.  
DIN 7984 screws and DIN 985 nuts, steel.

**Type:**

Vibratory ground.  
Screws and nuts electro zinc-plated.

**Part Number Example:**

K0479.5CP

**Note:**

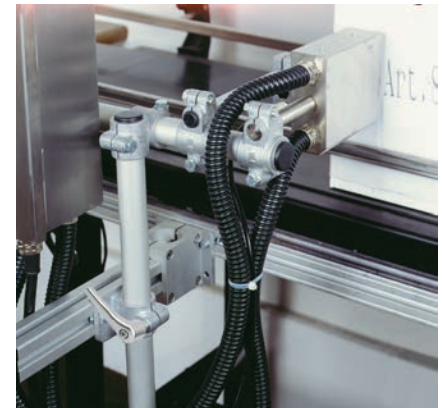
For the inch series, the dimensions for A are in inches, all other dimensions are in mm.

**On request:**

Adjustable handles for tightening.

**Attention:**

\* Elongated hole

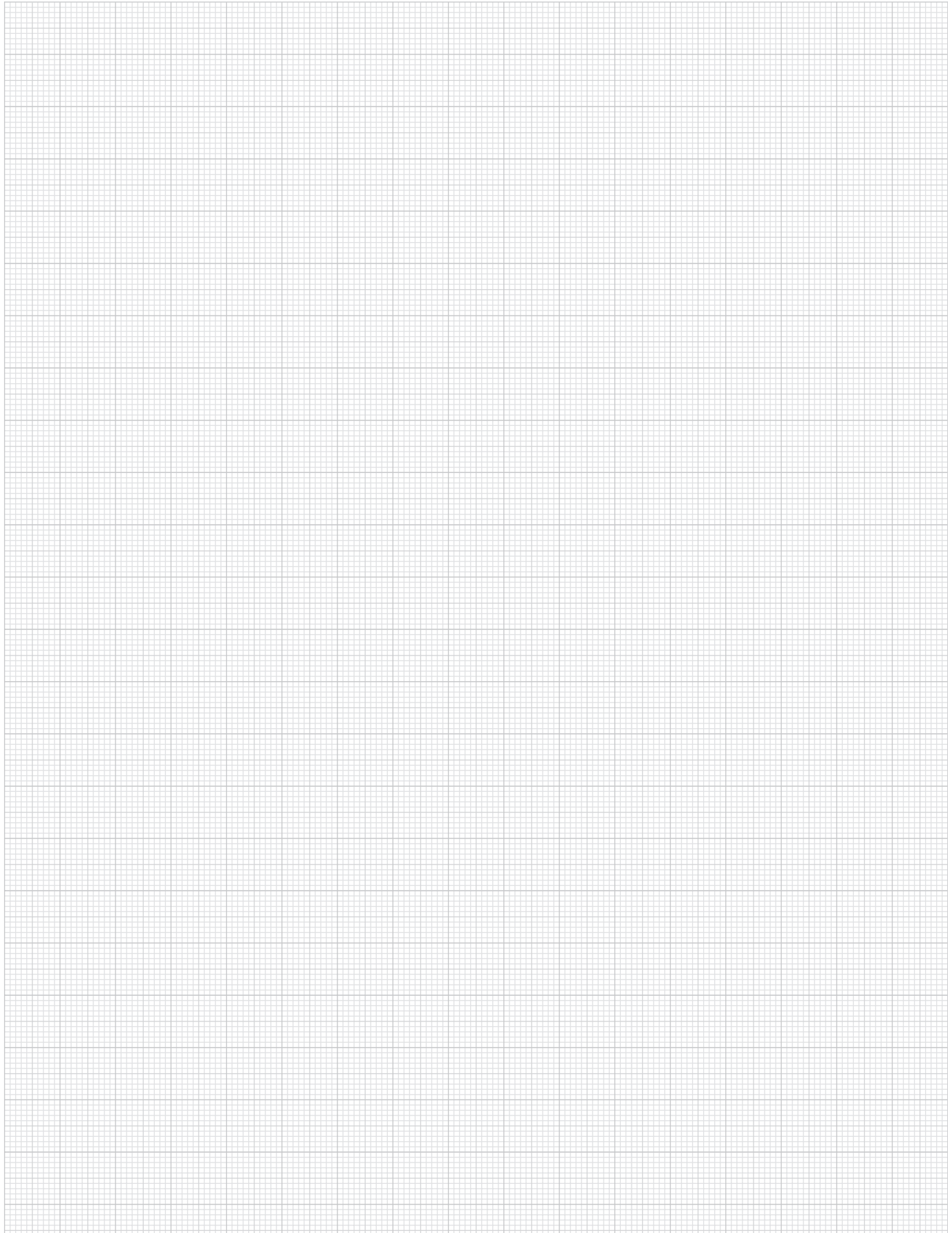


**KIPP Tube Clamps, flange, aluminum, inch**

Item No.	hole arrangement	A	B	C	D	E	F	G	H	K	L	M	N	O	P	R	S	U
K0479.5CP	1	0.5	6	18	25	35	31	35	38	32,5	41	50	5	-	23	-	M6x20	40
K0479.5CR	1	0.75	6	18	25	35	31	35	38	32,5	41	50	5	-	23	-	M6x20	40
K0479.5CS	1	1	7	30	40	40	50	55	53	53	63	78	7	-	33	-	M8x25	60
K0479.5CT	1	1.25	7	30	40	40	50	55	53	53	63	78	7	-	33	-	M8x25	60
K0479.5D2	3	1.5	9	42	56	60	70	80	80	74	87	105	10	60	40	52	M10x30	82
K0479.5D4	3	2	11	50	66	65	83	90	98	85	98	128	14	62	45	60	M10x35	100



Notes:

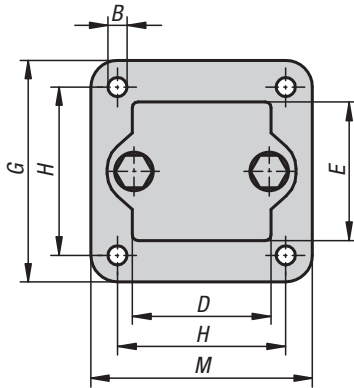
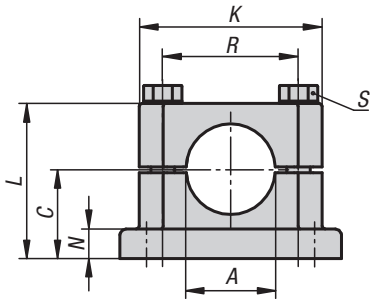


## Tube Clamps Flange

aluminum

INCH  
Parts

New Item



**Material:**

Cast aluminum.  
Screws and nuts steel.

**Type:**

Vibratory ground.  
Screws and nuts electro zinc-plated.

**Part Number Example:**

K0479.52CS

**Note:**

For the inch series, the dimensions for A are in inches, all other dimensions are in mm.

**On request:**

Adjustable handles for tightening.

**KIPP Tube Clamps, flange, aluminum, inch**

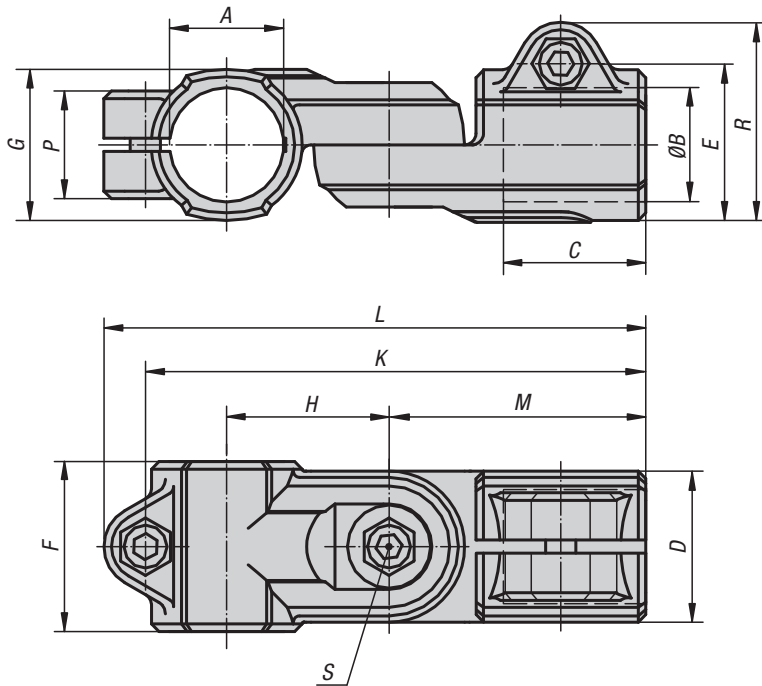
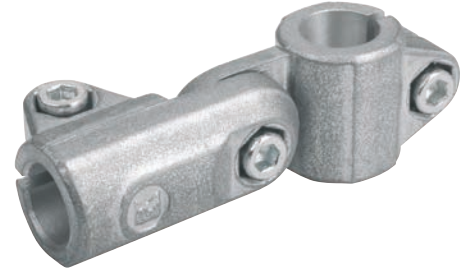
Item No.	A	B	C	D	E	G	H	K	L	M	N	R	S
K0479.52CS	1	7	30	45	45	75	57	62	52,5	75	10	46	M8x50
K0479.52CT	1.25	7	30	45	45	75	57	62	52,5	75	10	46	M8x50
K0479.52D2	1.5	9	40	60	60	100	76	75	70	100	10	57	M8x70

## Tube Clamps Swivel

aluminum

INCH  
Parts

New Item



**Material:**

Cast aluminum.  
DIN 7984 screws and DIN 985 nuts, steel.

**Type:**

Vibratory ground.  
Screws and nuts electro zinc-plated.

**Part Number Example:**

K0488.5CP

**Note:**

For the inch series, the dimensions for A and B are in inches, all other dimensions are in mm.

**On request:**

Adjustable handles for tightening.

**Function:**

Tube swivel clamps can be seamlessly rotated through 180°.

**KIPP Tube Clamps, swivel, aluminum, inch**

Item No.	A	B	C	D	E	F	G	H	K	L	M	P	R	S
K0488.5CP	0.5	0.5	25	26	29,4	30	26	27	87	95,5	44	21	37,5	M6x18
K0488.5CS	1	1	45	40	42	-	40	43	138	147	73	33	52	M8x35
K0488.5CT	1.25	1.25	45	40	42	-	40	43	138	147	73	33	52	M8x35
K0488.5D2	1.5	1.5	60	56	57	-	56	60	188	200	100	48	69	M10x50

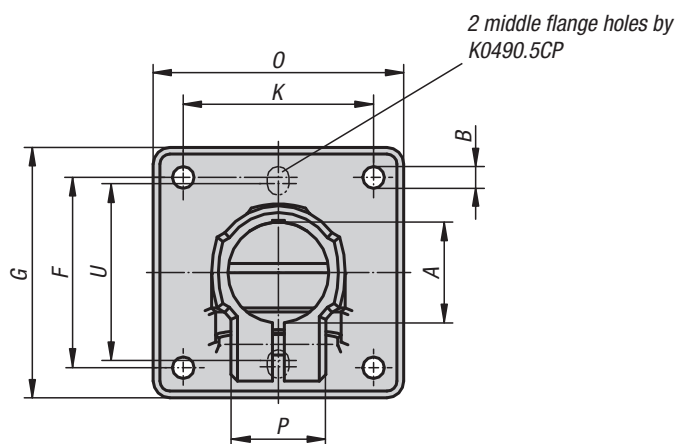
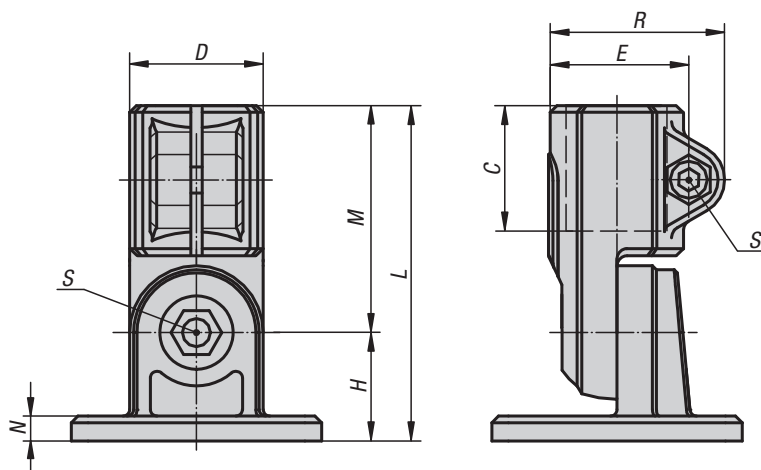
## Tube Clamps Swivel Base

aluminum



INCH  
Parts

New Item



**Material:**

Cast aluminum.  
DIN 7984 screws and DIN 985 nuts, steel.

**Type:**

Vibratory ground.  
Screws and nuts electro zinc-plated.

**Part Number Example:**

K0490.5CP

**Note:**

For the inch series, the dimensions for A are in inches, all other dimensions are in mm.

**On request:**

Adjustable handles for tightening.

**Function:**

Tube swivel clamps can be seamlessly rotated through 180°.

**Attention:**

\* Elongated hole

**KIPP Tube Clamps, swivel base, aluminum, inch**

Item No.	A	B	C	D	E	F	G	H	K	L	M	N	O	P	R	S	U
K0490.5CP	0.5	6	25	26	29,4	40	50	20	40	64	44	5	35	21	37,5	M6x18	38
K0490.5CS	1	7	45	40	42	57	75	33	57	106	73	7	75	33	52	M8x35	-
K0490.5CT	1.25	7	45	40	42	57	75	33	57	106	73	7	75	33	52	M8x35	-
K0490.5D2	1.5	9	60	56	57	76	100	44	76	144	100	10	100	48	69	M10x50	-

# Technical information

## Square Tube Connectors



### High quality plastic tube connectors with steel core for joining square tubing

Creative use of these square tube connectors together with the specially developed aluminum profiles leads to unlimited construction possibilities. The system can be combined with many different materials e.g. laminated chipboard, glass or plastic plates. No screws required, the connectors are simply pushed into the appropriate square tubing. They can be dismantled and reused repeatedly. If removal should be prevented the connectors can be secured by gluing, screws or rivets.

### Loading of square tube connectors

25x25x1.5 and 30x30x2 square tube connectors with steel core have a compressive strength of max. 400 kg per horizontal leg under the following conditions:

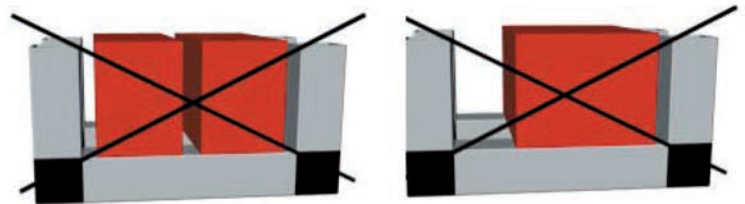
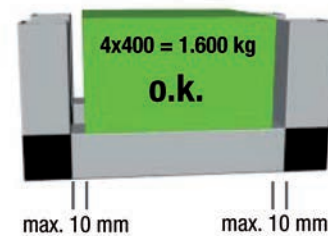
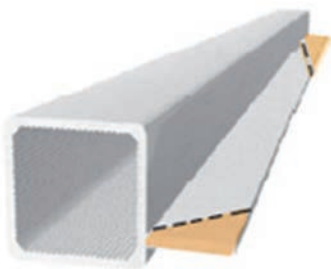
- the spacing between the exterior wall of the vertical tube and the outer edge of the load must not exceed 10 mm.
- the underside of the load is rigid enough that the applied force occurs only at the load corners (see diagram).
- the load is static i.e. no dynamic stress due to moving loads.

#### Note:

Using items such as adjustable glides, screw plugs and swivel feet with the tube connectors can decrease the load values for the entire unit.

### Miter cuts

Miter cuts are required when finned square tubes are joined together with tube connectors at an angle. On request, we can supply our finned square tubes pre-cut with miter cuts.

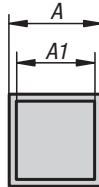
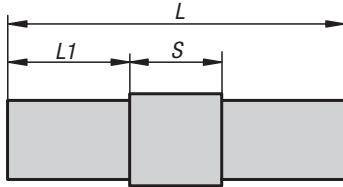
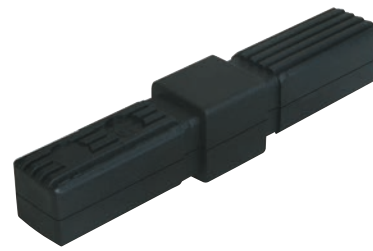


# K0615

## Square Tube Connectors

straight

METRIC  
Parts



**Material:**

Polyamide PA, black.  
Core electro zinc-plated steel.

**Part Number Example:**

K0615.1251512

**Note:**

No screws required. The tube connectors are simply pushed into the appropriate square tubing. They can be dismantled and reused repeatedly.

**Accessories:**

- Square tubes K0627
- Finned square tubes K0628

### KIPP Square Tube Connectors, straight

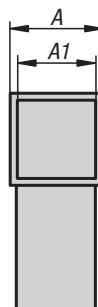
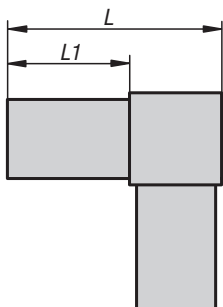
Item No.	A	A1	L	L1	S	Suitable for square tubes
K0615.1251512	25	22	133	54	25	25 x 25 x 1,5

# K0616

## Square Tube Connectors

two-way

METRIC  
Parts



**Material:**

Polyamide PA, black.  
Core electro zinc-plated steel.

**Part Number Example:**

K0616.1251512

**Note:**

No screws required. The tube connectors are simply pushed into the appropriate square tubing. They can be dismantled and reused repeatedly.

**Accessories:**

- Square tubes K0627
- Finned square tubes K0628

### KIPP Square Tube Connectors, two-way

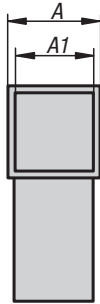
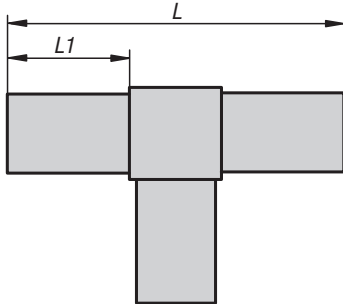
Item No.	A	A1	L	L1	Suitable for square tubes
K0616.1251512	25	22	77	52	25 x 25 x 1,5

# K0617

## Square Tube Connectors

three-way, flat

METRIC  
Parts



**Material:**  
Polyamide PA, black.  
Core electro zinc-plated steel.

**Part Number Example:**  
K0617.1251512

**Note:**  
No screws required. The tube connectors are simply pushed into the appropriate square tubing. They can be dismantled and reused repeatedly.

**Accessories:**  
- Square tubes K0627  
- Finned square tubes K0628

### KIPP Square Tube Connectors, three-way, flat

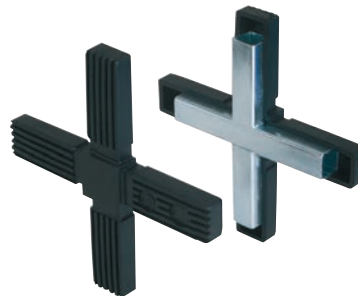
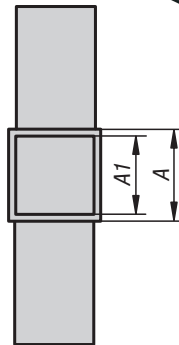
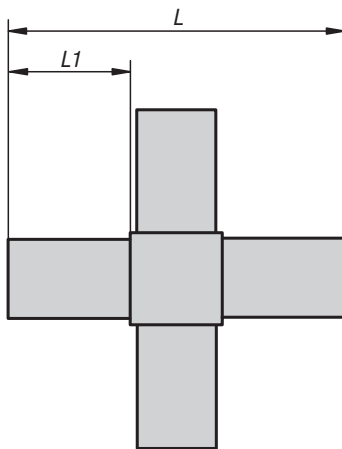
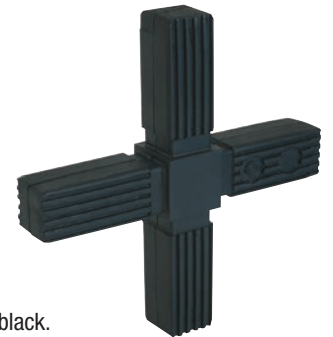
Item No.	A	A1	L	L1	Suitable for square tubes
K0617.1251512	25	22	127	51	25 x 25 x 1,5

# K0618

## Square Tube Connectors

four-way, flat

METRIC  
Parts



**Material:**  
Polyamide PA, black.  
Core electro zinc-plated steel.

**Part Number Example:**  
K0618.1251512

**Note:**  
No screws required. The tube connectors are simply pushed into the appropriate square tubing. They can be dismantled and reused repeatedly.

**Accessories:**  
- Square tubes K0627  
- Finned square tubes K0628

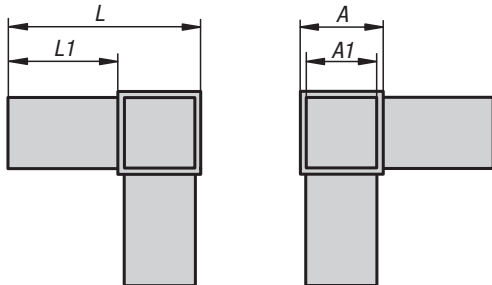
### KIPP Square Tube Connectors, four-way, flat

Item No.	A	A1	L	L1	Suitable for square tubes
K0618.1251512	25	22	127	51	25 x 25 x 1,5

## Square Tube Connectors

three-way

METRIC  
Parts



**Material:**  
Polyamide PA, black.  
Core electro zinc-plated steel.

**Part Number Example:**  
K0619.1251512

**Note:**  
No screws required. The tube connectors are simply pushed into the appropriate square tubing. They can be dismantled and reused repeatedly.

**Accessories:**  
- Square tubes K0627  
- Finned square tubes K0628

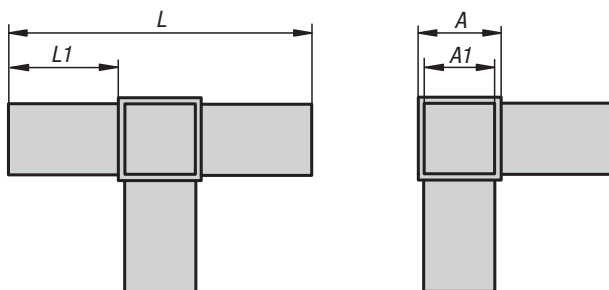
### KIPP Square Tube Connector, three-way

Item No.	A	A1	L	L1	Suitable for square tubes
K0619.1251512	25	22	77	52	25 x 25 x 1,5

## Square Tube Connectors

four-way

METRIC  
Parts



**Material:**  
Polyamide PA, black.  
Core electro zinc-plated steel.

**Part Number Example:**  
K0620.1251512

**Note:**  
No screws required. The tube connectors are simply pushed into the appropriate square tubing. They can be dismantled and reused repeatedly.

**Accessories:**  
- Square tubes K0627  
- Finned square tubes K0628

### KIPP Square Tube Connectors, four-way

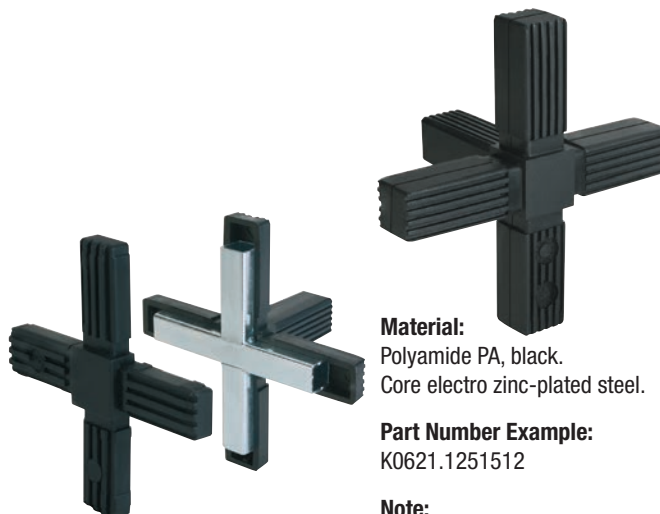
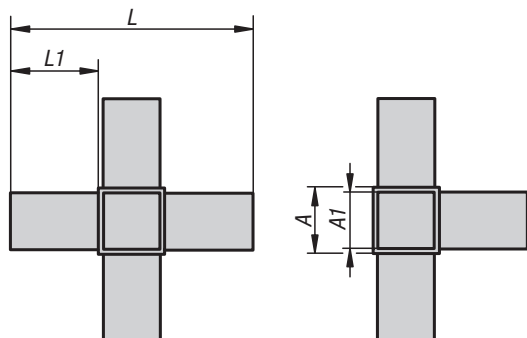
Item No.	A	A1	L	L1	Suitable for square tubes
K0620.1251512	25	22	129	52	25 x 25 x 1,5



## Square Tube Connectors

five-way

METRIC  
Parts



**Material:**  
Polyamide PA, black.  
Core electro zinc-plated steel.

**Part Number Example:**  
K0621.1251512

**Note:**  
No screws required. The tube connectors are simply pushed into the appropriate square tubing. They can be dismantled and reused repeatedly.

**Accessories:**  
- Square tubes K0627  
- Finned square tubes K0628

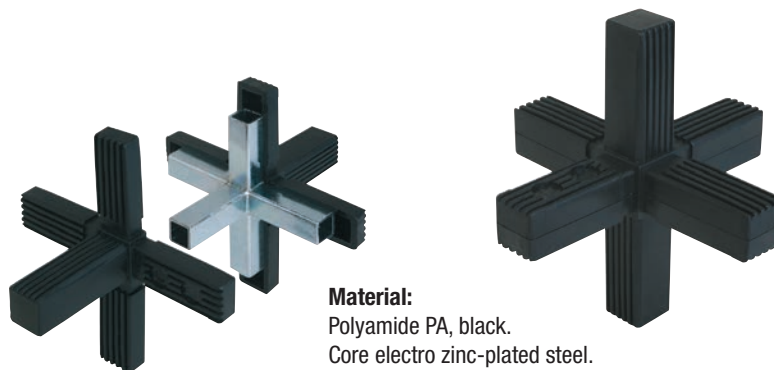
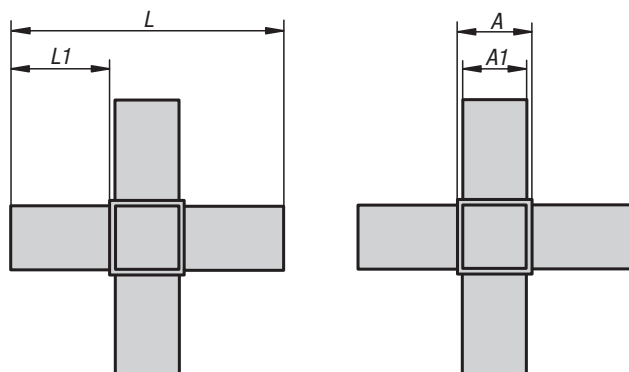
### KIPP Square Tube Connectors, five-way

Item No.	A	A1	L	L1	Suitable for square tubes
K0621.1251512	25	22	133	54	25 x 25 x 1,5

## Square Tube Connectors

six-way

METRIC  
Parts



**Material:**  
Polyamide PA, black.  
Core electro zinc-plated steel.

**Part Number Example:**  
K0622.1251512

**Note:**  
No screws required. The tube connectors are simply pushed into the appropriate square tubing. They can be dismantled and reused repeatedly.

**Accessories:**  
- Square tubes K0627  
- Finned square tubes K0628

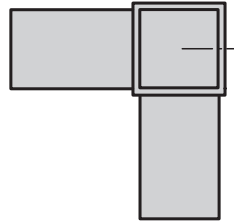
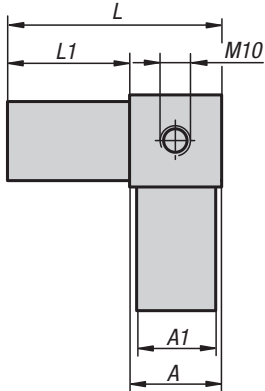
### KIPP Square Tube Connectors, six-way

Item No.	A	A1	L	L1	Suitable for square tubes
K0622.1251512	25	22	129	52	25 x 25 x 1,5

## Square Tube Connectors

three-way with tapped hole

METRIC  
Parts



**Material:**  
Polyamide PA, black.  
Core electro zinc-plated steel.

**Part Number Example:**  
K0623.125151210

**Note:**  
No screws required. The tube connectors are simply pushed into the appropriate square tubing. They can be dismantled and reused repeatedly. For installing swivel feet, casters etc.

**Accessories:**  
- Square tubes K0627  
- Finned square tubes K0628

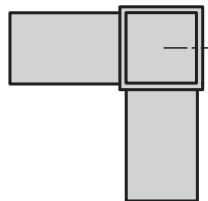
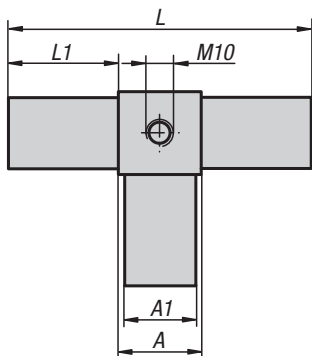
### KIPP Square Tube Connectors, three-way with tapped hole

Item No.	A	A1	L	L1	Suitable for square tubes
K0623.125151210	25	22	77	52	25 x 25 x 1,5

## Square Tube Connectors

four-way with tapped hole

METRIC  
Parts



**Material:**  
Polyamide PA, black.  
Core electro zinc-plated steel.

**Part Number Example:**  
K0624.125151210

**Note:**  
No screws required. The tube connectors are simply pushed into the appropriate square tubing. They can be dismantled and reused repeatedly. For installing swivel feet, casters etc.

**Accessories:**  
- Square tubes K0627  
- Finned square tubes K0628

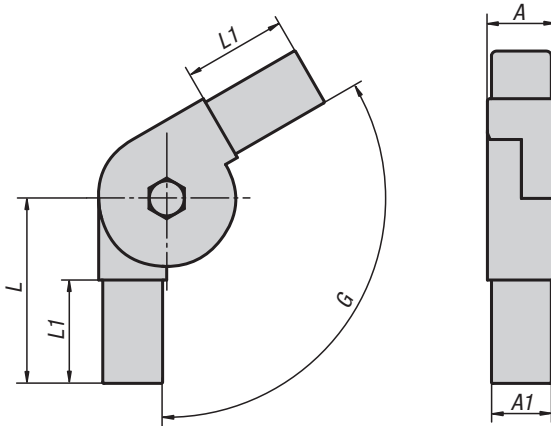
### KIPP Square Tube Connectors, four-way with tapped hole

Item No.	A	A1	L	L1	Suitable for square tubes
K0624.125151210	25	22	129	52	25 x 25 x 1,5

## Square Tube Connectors

two-way swivel

METRIC  
Parts



**Material:**

Polyamide PA, black.  
DIN 6912 screws and DIN 934 nuts electro zinc-plated steel.

**Part Number Example:**

K0625.1251511

**Note:**

The tube connectors are simply pushed into the appropriate square tubing. They can be dismantled and reused repeatedly. The swivel angle can be seamlessly adjusted.

**Accessories:**

- Square tubes K0627
- Finned square tubes K0628

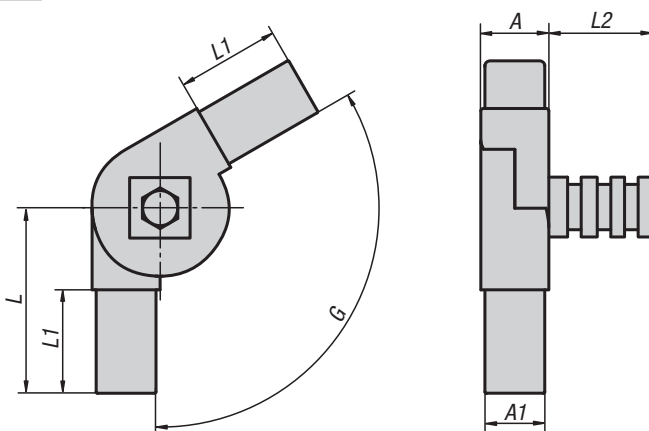
### KIPP Square Tube Connectors, two-way swivel

Item No.	A	A1	L	L1	G	Suitable for square tubes
K0625.1251511	25	22	68	38	0° - 190°	25 x 25 x 1,5
K0625.1251512	25	22	59	38	45° - 195°	25 x 25 x 1,5

## Square Tube Connectors

three-way swivel

METRIC  
Parts



**Material:**

Polyamide PA, black.  
DIN 6912 screws and DIN 934 nuts electro zinc-plated steel.

**Part Number Example:**

K0626.1251511

**Note:**

The tube connectors are simply pushed into the appropriate square tubing. They can be dismantled and reused repeatedly. The swivel angle can be seamlessly adjusted. The third spigot can be revolved around its own axis.

**Accessories:**

- Square tubes K0627
- Finned square tubes K0628

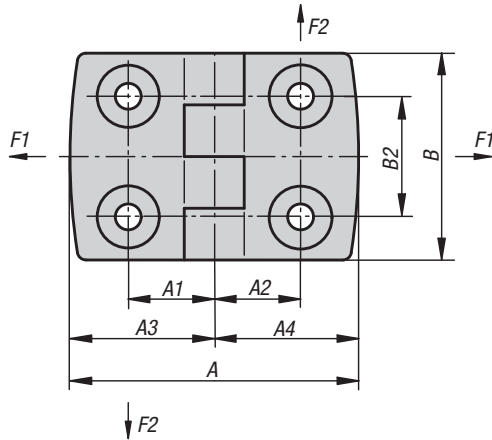
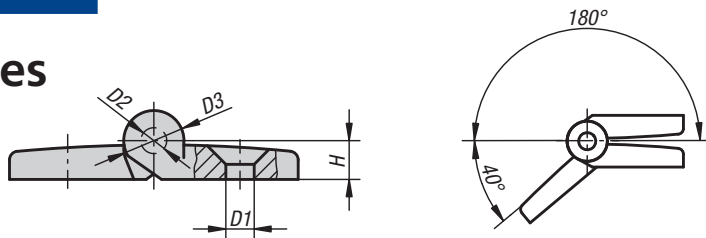
### KIPP Square Tube Connectors, three-way swivel

Item No.	A	A1	L	L1	L2	G	Suitable for square tubes
K0626.1251511	25	22	68	38	42	0° - 190°	25 x 25 x 1,5
K0626.1251512	25	22	59	38	42	45° - 195°	25 x 25 x 1,5

## Hinges

plastic

METRIC  
Parts



**Material:**  
Fiberglass reinforced thermoplastic.  
Hinge pin stainless steel.

**Type:**  
Hinge black.  
Pin bright.

**Part Number Example:**  
K0435.251528

**Note:**  
Unequal leaf hinges can be mounted left or right.  
All hinges can be supplied on request with guide tabs for the slots of aluminum profiles (slots 6, 8 and 10). They facilitate mounting, secure the hinge against twisting and make it stronger.

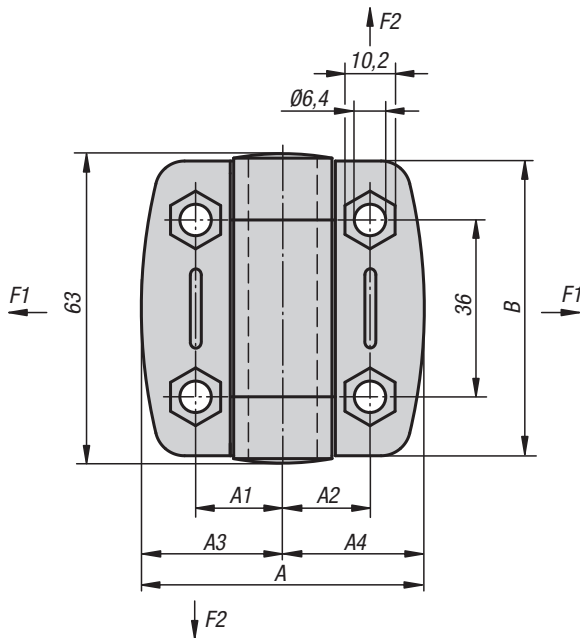
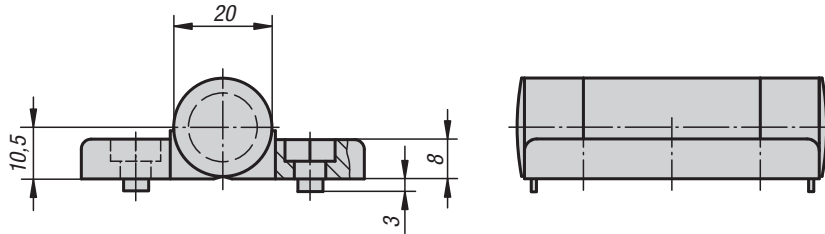
### KIPP Hinges plastic, metric

Item No.	A	A1	A2	A3	A4	B	B2	D1	D2	D3	H	F1 max. kN	F2 max. kN
K0435.201212	39	11,5	11,5	19,5	19,5	30	14	4,2	3	8	5,5	0,4	0,2
K0435.251515	52	15	15	26	26	48	28	6,6	6	14	9	0,625	0,425
K0435.251518	55,5	15	17,5	26	29,5	48	28	6,6	6	14	9	0,7	0,5
K0435.251520	61,5	15	20	26	35,5	48	28	6,6	6	14	9	0,7	0,4
K0435.251523	64,5	15	22,5	26	38,5	48	28	6,6	6	14	9	0,8	0,35
K0435.251525	69,5	15	25	26	43,5	48	28	6,6	6	14	9	0,8	0,325
K0435.251528	74,5	15	27,5	26	48,5	48	28	6,6	6	14	9	0,8	0,32
K0435.251533	83,5	15	32,5	26	57,5	48	28	6,6	6	14	9	0,8	0,24
K0435.301818	59	17,5	17,5	29,5	29,5	48	28	6,6	6	14	9	0,7	0,4
K0435.301820	65	17,5	20	29,5	35,5	48	28	6,6	6	14	9	0,7	0,4
K0435.301823	68	17,5	22,5	29,5	38,5	48	28	6,6	6	14	9	0,75	0,45
K0435.301825	73	17,5	25	29,5	43,5	48	28	6,6	6	14	9	0,75	0,45
K0435.301828	78	17,5	27,5	29,5	48,5	48	28	6,6	6	14	9	0,9	0,425
K0435.301833	87	17,5	32,5	29,5	57,5	48	28	6,6	6	14	9	0,85	0,2
K0435.352020	71	20	20	35,5	35,5	48	28	6,6	6	14	9	0,7	0,4
K0435.352023	74	20	22,5	35,5	38,5	48	28	6,6	6	14	9	0,75	0,45
K0435.352025	79	20	25	35,5	43,5	48	28	6,6	6	14	9	0,75	0,45
K0435.352028	84	20	27,5	35,5	48,5	48	28	6,6	6	14	9	0,8	0,425
K0435.352033	93	20	32,5	35,5	57,5	48	28	6,6	6	14	9	0,8	0,175
K0435.402323	77	22,5	22,5	38,5	38,5	48	28	6,6	6	14	9	0,75	0,45
K0435.402325	82	22,5	25	38,5	43,5	48	28	6,6	6	14	9	0,75	0,45
K0435.402328	87	22,5	27,5	38,5	48,5	48	28	6,6	6	14	9	0,8	0,425
K0435.402333	96	22,5	32,5	38,5	57,5	48	28	6,6	6	14	9	0,85	0,175
K0435.452525	87	25	25	43,5	43,5	48	28	6,6	6	14	9	0,75	0,45
K0435.452528	92	25	27,5	43,5	48,5	48	28	6,6	6	14	9	0,8	0,425
K0435.452533	101	25	32,5	43,5	57,5	48	28	6,6	6	14	9	0,85	0,2
K0435.502828	97	27,5	27,5	48,5	48,5	48	28	6,6	6	14	9	0,8	0,425
K0435.502833	106	27,5	32,5	48,5	57,5	48	28	6,6	6	14	9	0,85	0,2
K0435.603333	115	32,5	32,5	57,5	57,5	48	28	6,6	6	14	9	0,85	0,175

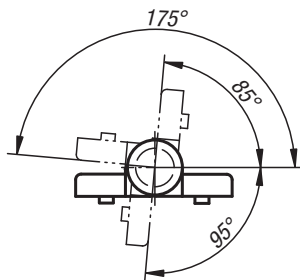
## Hinges

plastic, detent

METRIC  
Parts



indexed positions



**Material:**

Hinge and caps fiberglass reinforced PA thermoplastic.  
Hinge pin stainless steel.

**Type:**

Hinge and caps black.  
Pin bright.

**Part Number Example:**

K0439.56181800

**Note:**

These hinges have a detent mechanism. This mechanism holds a door or lid open at three different angles or tightly closed. The hinges are available with or without guide tabs for aluminum profile slots.

**KIPP Hinges plastic, detent, metric**

Item No.	A	A1	A2	A3	A4	B	Guide tabs for slot	F1 max. kN	F2 max. kN
K0439.56181800	54	17,75	17,75	27	27	56	-	0,4	0,35
K0439.56181806	54	17,75	17,75	27	27	56	6	0,4	0,35
K0439.56181808	54	17,75	17,75	27	27	56	8	0,4	0,35
K0439.56232300	73,5	22,75	22,75	36,75	36,75	56	-	0,6	0,425
K0439.56232308	73,5	22,75	22,75	36,75	36,75	56	8	0,6	0,425
K0439.56232310	73,5	22,75	22,75	36,75	36,75	56	10	0,6	0,425

## Hinges

die-cast zinc, with elongated holes

METRIC  
Parts

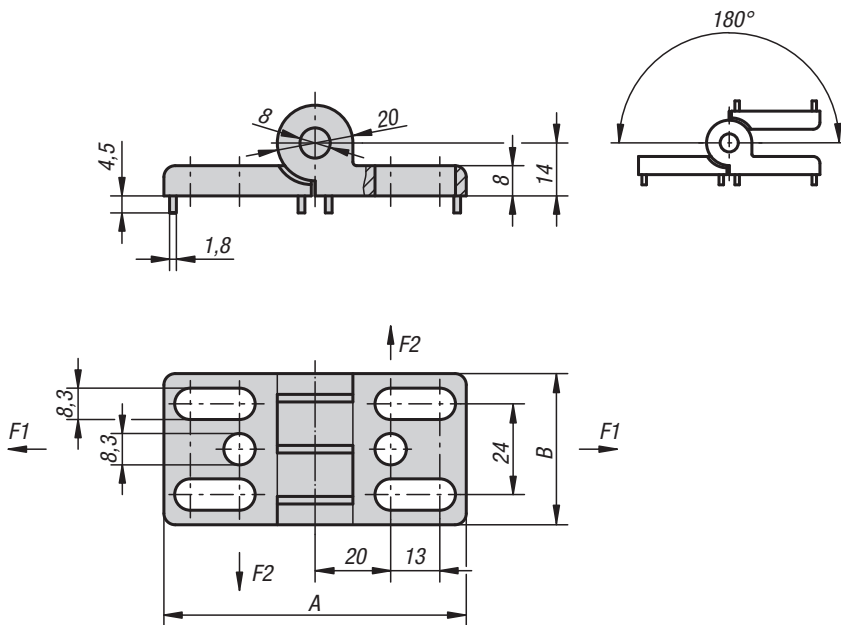


**Material:**  
Die-cast zinc.  
Hinge pin stainless steel.  
Washer thermoplastic.

**Type:**  
Hinge black powder-coated.  
Pin bright.  
Washer black.

**Part Number Example:**  
K0441.402020

**Note:**  
Elongated holes enable easy horizontal adjustment.



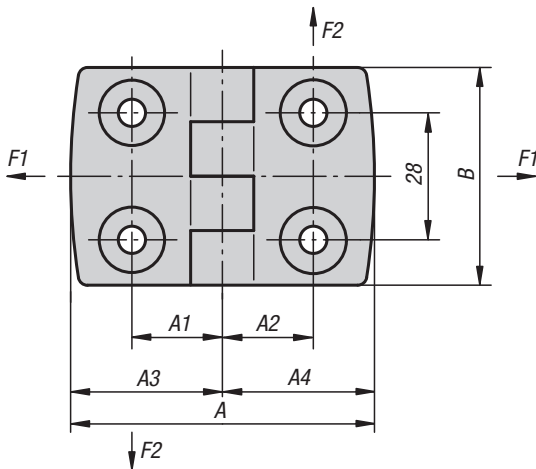
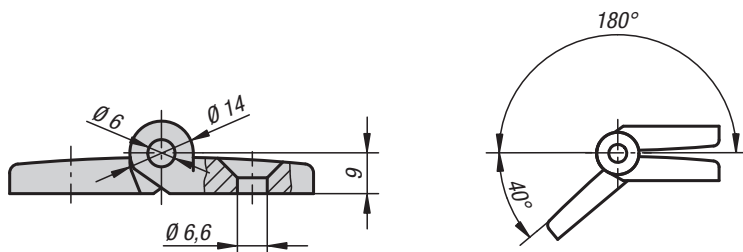
### KIPP Hinges die-cast zinc, with elongated holes, metric

Item No.	A	B	Guide tabs for slot	F1 max. kN	F2 max. kN
K0441.402020	80	40	-	1,2	0,5
K0441.40202008	80	40	8	1,2	0,5
K0441.40202010	80	40	10	1,2	0,5

## Hinges

aluminum

METRIC  
Parts



**Material:**

Die-cast aluminum.  
Hinge pin stainless steel.

**Type:**

Hinge matte nickel-plated.  
Pin bright.

**Part Number Example:**

K0580.251515

**Note:**

Hinges for panel elements and aluminum profiles.  
Non-liftoff.  
The hinges can be fitted with a plastic spacer on the hinge pin.

**On request:**

Hinges with guide tabs for aluminum profiles (slots 5, 6, 8, 10, 12 and 14).  
Unequal leaf combinations.

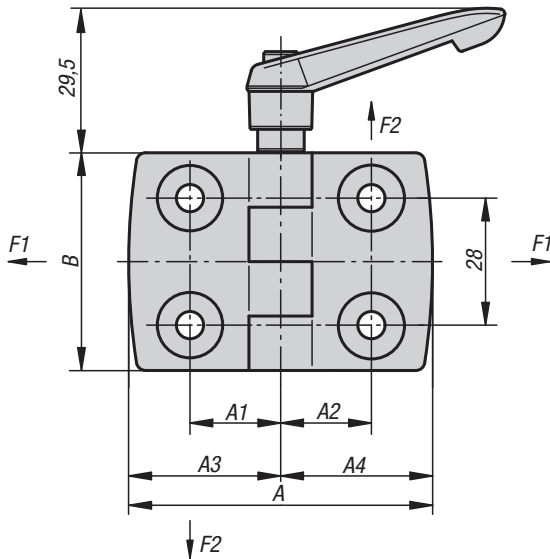
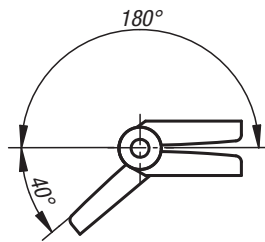
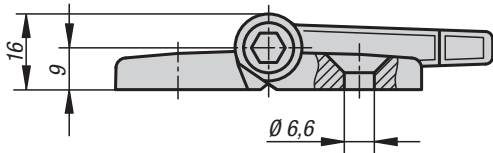
**KIPP Hinges aluminum, metric**

Item No.	A	A1	A2	A3	A4	B	F1 max. kN	F2 max. kN
K0580.251515	52	15	15	26	26	48	0,275	0,215
K0580.301818	59	17,5	17,5	29,5	29,5	48	0,325	0,225
K0580.352020	72	20	20	36	36	48	0,325	0,225
K0580.402323	77	22,5	22,5	38,5	38,5	48	0,4	0,25
K0580.452525	87	25	25	43,5	43,5	48	0,4	0,25
K0580.502828	97	27,5	27,5	48,5	48,5	48	0,4	0,25
K0580.603333	115	32,5	32,5	57,5	57,5	48	0,4	0,1

## Hinges

plastic, with locking lever

METRIC  
Parts



**Material:**

Hinge and lever fiberglass reinforced thermoplastic.  
Hinge pin steel.  
Mechanism steel.

**Type:**

Hinge black.  
Pin electro zinc-plated.  
Locking lever black.  
Mechanism black electro zinc-plated.

**Part Number Example:**

K0436.251515

**Note:**

The indexable lever enables the hinge to be locked in any position.

**On request:**

Hinges with guide tabs (slot 6, 8 and 10) for aluminum profiles.  
Unequal leaf combinations.



**KIPP Hinges plastic, with locking lever**

Item No.	A	A1	A2	A3	A4	B	F1 max. kN	F2 max. kN
K0436.251515	52	15	15	26	26	48	0,5	0,38
K0436.301818	59	17,5	17,5	29,5	29,5	48	0,7	0,4
K0436.352020	72	20	20	36	36	48	0,7	0,4
K0436.402323	77	22,5	22,5	38,5	38,5	48	0,75	0,45
K0436.452525	87	25	25	43,5	43,5	48	0,75	0,45
K0436.502828	97	27,5	27,5	48,5	48,5	48	0,8	0,425
K0436.603333	115	32,5	32,5	57,5	57,5	48	0,85	0,175

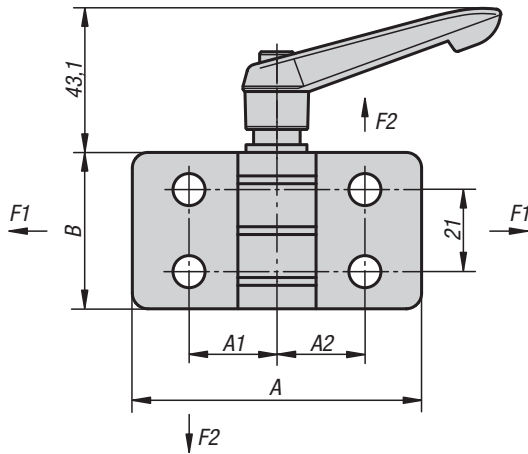
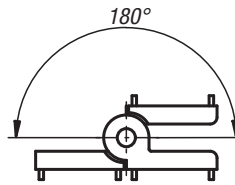
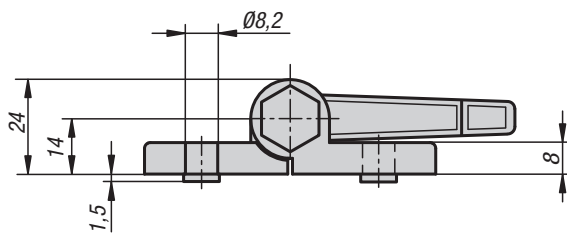


## Hinges

die-cast zinc, with locking lever



METRIC  
Parts



**Material:**

Hinge die-cast zinc.  
Hinge pin steel.  
Lever fiberglass reinforced thermoplastic.  
Mechanism steel.

**Type:**

Hinge black powder-coated.  
Pin electro zinc-plated.  
Lever black.  
Mechanism black electro zinc-plated.

**Part Number Example:**

K0442.40232300

**Note:**

The indexable lever enables the hinge to be locked in any position.  
Available with or without guide tabs for aluminum profile slots.



**KIPP Hinges die-cast zinc, with locking lever**

Item No.	A	A1	A2	B	Guide tabs for slot	F1 max. kN	F2 max. kN
K0442.40232300	74	22,5	22,5	40	-	1,5	0,65
K0442.40232308	74	22,5	22,5	40	8	1,5	0,65
K0442.40232310	74	22,5	22,5	40	10	1,5	0,65
K0442.40232500	74	22,5	25	40	-	1,5	0,65
K0442.40232508	74	22,5	25	40	8	1,5	0,65
K0442.40232510	74	22,5	25	40	10	1,5	0,65
K0442.45252500	74	25	25	40	-	1,5	0,65
K0442.45252508	74	25	25	40	8	1,5	0,65
K0442.45252510	74	25	25	40	10	1,5	0,65

# Technical information for rubber buffers

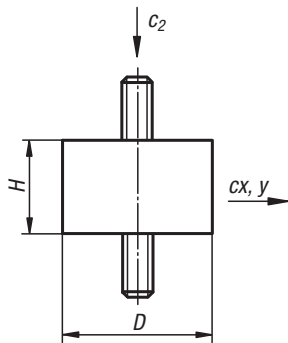


## Note:

Our rubber buffers are simple and cost-efficient standard units for elastic mounting. They are ideally suited for compressive and axial loads for a diverse range of applications. With shear stress however, they are substantially less resilient than with compressive stress. The adjacent tables provide a guide to the static load values. With high dynamic alternating loads or high frequencies the loading should be reduced proportionately.

## Guide values for static load

Style	D	H	Compressive loads						Shear stresses					
			Spring rate c2 in N/mm			Permissible load F in N			Spring rate cx, y in N/mm			Permissible load F in N		
			hard	medium	soft	hard	medium	soft	hard	medium	soft	hard	medium	soft
A	20	15	300	190	120	500	320	200	60	40	30	190	120	70
A	30	15	670	410	250	1100	700	400	90	60	40	350	210	130
A	30	30	240	150	100	900	570	340	50	30	20	430	280	170
A	40	30	480	300	170	1800	1110	670	90	60	30	770	500	250
A	50	20	240	1500	90	5000	3190	1870	240	160	100	1200	770	460
A	50	40	600	280	220	2800	1750	1050	120	80	50	1280	800	460
A	75	25	5000	2900	1700	12800	8000	4700	410	260	160	2800	1750	1030
A	75	55	650	400	240	4700	3000	1750	130	80	50	2100	1300	800
B	25	20	320	160	120	490	320	190	70	45	25	230	160	90
B	30	20	660	430	260	830	520	310	100	75	50	330	210	130
B	40	30	550	350	210	1250	750	450	110	70	40	520	330	200
B	40	30	550	350	210	1250	750	450	110	70	40	520	330	200
B	50	40	560	370	220	2100	1270	760	120	80	45	930	580	350
B	50	50	350	220	130	1750	1100	650	80	50	30	800	510	310
B	75	50	950	630	330	4700	2910	1720	180	120	80	1900	1200	710
C	20	25	200	130	80	300	190	120	50	30	20	150	90	60
C	30	30	590	380	220	720	450	270	90	60	50	260	170	110
C	40	30	900	570	340	1080	680	410	150	90	60	380	240	140
C	50	30	1700	1090	650	2500	1750	950	210	150	70	470	290	170
C	50	50	360	220	140	1390	870	520	80	40	30	610	390	230
C	75	50	1010	630	370	3650	2050	1200	200	130	80	1560	980	580



Style	D	H	Compressive loads	
			Spring rate c2 in N/mm medium	Permissible load F in N medium
D	25	20	20	150
D	30	20	20	330
D	40	30	30	250
D	50	20	20	660
D	75	25	25	1430

## Rubber hardness:

hard = 70 Shore medium = 55 Shore soft = 45 Shore

For general guidance natural rubber is ca. 55 Shore.

static compression load: F (max.) = approx. 6.5 kg/cm<sup>2</sup> (63.77 N/cm<sup>2</sup>)

static axial load: F (max.) = approx. 1.5 kg/cm<sup>2</sup> (14.72 N/cm<sup>2</sup>)

by ca. 10% spring displacement or transverse movement by axial loads.

Naturally, much higher loads are possible without damage. However, these considerably affect the rubber buffer in its primary purpose. Tensile loads are possible but should be avoided on account of the peak stress at the contact edges and the notch sensitivity of rubber.

## Tolerances for rubber buffers:

Permissible dimensional deviations per DIN 7751 Part 2. Permissible hardness deviation ±5 Shore A.

## Synoptical Table - Properties of the Individual Materials

Abb.	Rubber material Polymer	Temperature	Main Characteristics - Resistance to								
			Tensile strength	Fracture elongation	Aging	Ozone	Petrol	Oil	Acid	Alkali's	Tensile strain
NR (NK)	Natural rubber	-30 °C – +80 °C	1	1	3	4	6	6	3	3	600%
SBR	Styrene-butadiene rubber	-30 °C – +80 °C	5	2	3	4	4	5	3	3	450%
CR	Chloroprene rubber	-20 °C – +110 °C	3	2	2	2	2	2	2	2	450%
NBR	Acrylonitrile-butadiene rubber	-30 °C – +120 °C	5	2	3	3	1	1	4	3	450%
EPDM	Ethylene propylene terpolymer	-30 °C – +130 °C	5	3	1	1	5	4	1	2	450%
SI	Silicone rubber	-60 °C – +200 °C	6	4	1	1	5	4	5	5	500%

1 = excellent 2 = very good 3 = good 4 = moderate 5 = low 6 = insufficient

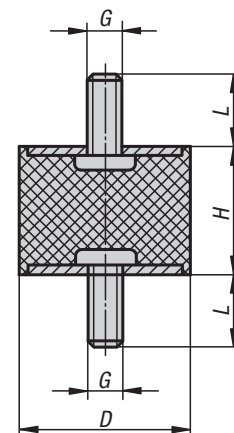
# Rubber buffers

style A

METRIC  
Parts

## KIPP Rubber buffers, style A, metric

Item No.	D	G	L	H	Spring stiffness N/mm	Load N
K0566.00800855	8	M3	6	8	24	31
K0566.01001055	10	M4	10	10	35	32
K0566.01001555	10	M4	10	15	50	50
K0566.01500855	15	M4	10	8	130	104
K0566.01501055	15	M4	10	10	122	122
K0566.01501555	15	M4	10	15	59	88
K0566.02000855	20	M6	18	8	725	580
K0566.02001055	20	M6	18	10	300	300
K0566.02001555	20	M6	18	15	200	300
K0566.02002055	20	M6	18	20	133	332
K0566.02002555	20	M6	18	25	90	270
K0566.02501055	25	M6	18	10	800	800
K0566.02501555	25	M6	18	15	294	441
K0566.02502055	25	M6	18	20	200	500
K0566.02502555	25	M6	18	25	94	282
K0566.02503055	25	M6	18	30	70	280
K0566.03001555	30	M8	23	15	587	880
K0566.03002055	30	M8	23	20	318	795
K0566.03002555	30	M8	23	25	183	549
K0566.03003055	30	M8	23	30	150	600
K0566.03004055	30	M8	23	40	77	385
K0566.04001555	40	M8	23	15	1250	1875
K0566.04002055	40	M8	23	20	565	1412
K0566.04003055	40	M8	23	30	300	1200
K0566.04004055	40	M8	23	40	189	945
K0566.05002055	50	M10	28	20	1300	3250
K0566.05002555	50	M10	28	25	667	2000
K0566.05003055	50	M10	28	30	500	2000
K0566.05004055	50	M10	28	40	300	1500
K0566.05005055	50	M10	28	50	193	1153
K0566.06004055	60	M10	28	40	377	1885
K0566.07004555	70	M10	28	45	410	2255
K0566.07502555	75	M12	37	25	1655	4965
K0566.07504055	75	M12	37	40	717	3585
K0566.07505055	75	M12	37	50	470	2820
K0566.07505555	75	M12	37	55	405	2835


**Material:**

Metal parts steel, quality class 5.6.  
Elastomer, natural rubber, medium hardness Shore 55A.

**Type:**

Steel electro zinc-plated.

**Part Number Example:**

K0566.00800855

**Note:**

The rubber buffers are widely-used construction elements for elastic mounting. They are used, among other things, as mountings for assemblies, motors, compressors, pumps and testing machinery.

**Temperature range:**

-30 °C to +80 °C.

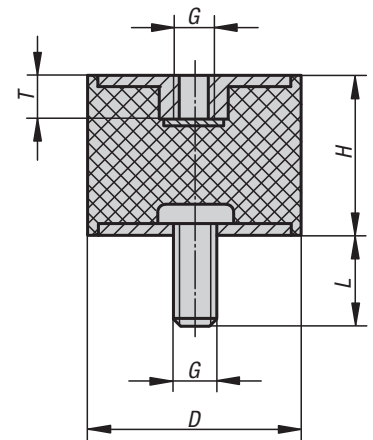
# Rubber buffers

style B

**METRIC**  
Parts


## KIPP Rubber buffers, style B, metric

Item No.	D	H	G	L	T	Spring stiffness N/mm	Load N
K0568.00800855	8	8	M3	6	3	35	17
K0568.01001055	10	10	M4	10	4	75	75
K0568.01001555	10	15	M4	10	4	50	60
K0568.01500855	15	10	M4	10	4	130	130
K0568.01501555	15	15	M4	10	4	100	120
K0568.02001555	20	15	M6	18	6	325	390
K0568.02002055	20	20	M6	18	6	130	260
K0568.02002555	20	25	M6	18	6	95	210
K0568.02501555	25	15	M6	18	6	333	399
K0568.02502055	25	20	M6	18	6	195	410
K0568.02502555	25	25	M6	18	6	117	257
K0568.02503055	25	30	M6	18	6	100	300
K0568.03001555	30	15	M8	23	8	590	708
K0568.03002055	30	20	M8	23	8	280	560
K0568.03002555	30	25	M8	23	8	180	396
K0568.03003055	30	30	M8	23	8	168	504
K0568.03004055	30	40	M8	23	8	88	308
K0568.04002055	40	20	M8	23	8	700	840
K0568.04003055	40	30	M8	23	8	273	820
K0568.04004055	40	40	M8	23	8	189	660
K0568.05002055	50	20	M10	28	10	1471	2500
K0568.05002555	50	25	M10	28	10	630	1386
K0568.05003055	50	30	M10	28	10	545	1635
K0568.05004055	50	40	M10	28	10	310	1116
K0568.05005055	50	50	M10	28	10	180	900
K0568.06004055	60	40	M10	28	10	500	1750
K0568.07004555	70	45	M10	28	10	600	2400
K0568.07502555	75	25	M12	37	12	2440	3660
K0568.07504055	75	40	M12	37	12	700	2450
K0568.07505055	75	50	M12	37	12	520	2600
K0568.07505555	75	55	M12	37	12	396	2178


**Material:**

Metal parts steel, quality class 5.6.  
Elastomer, natural rubber, medium hardness Shore 55A.

**Type:**

Steel electro zinc-plated.

**Part Number Example:**

K0568.00800855

**Note:**

Rubber Buffers are widely-used construction elements for elastic mounting. They are used, among other things, as mountings for assemblies, motors, compressors, pumps and testing machinery.

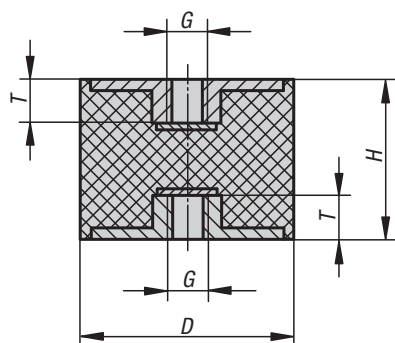
**Temperature range:**

-30 °C to +80 °C.

# Rubber buffers

style C

METRIC  
Parts



**Material:**

Metal parts steel, quality class 5.6.  
Elastomer, natural rubber, medium hardness Shore 55A.

**Type:**

Steel electro zinc-plated.

**Part Number Example:**

K0569.01001055

**Note:**

The rubber buffers are widely-used construction elements for elastic mounting. They are used, among other things, as mountings for assemblies, motors, compressors, pumps and testing machinery.

**Temperature range:**

-30 °C to +80 °C.

## KIPP Rubber buffers, style C, metric

Item No.	Main material	D	H	G	T	Spring stiffness N/mm	Load N
K0569.01001055	steel	10	10	M4	4	100	50
K0569.01001555	steel	10	15	M4	4	50	50
K0569.01501555	steel	15	15	M4	4	100	100
K0569.02002055	steel	20	20	M6	6	230	276
K0569.02002555	steel	20	25	M6	6	120	180
K0569.02502055	steel	25	20	M6	6	230	276
K0569.02502555	steel	25	25	M6	6	110	165
K0569.02503055	steel	25	30	M6	6	80	160
K0569.03002055	steel	30	20	M8	8	425	637
K0569.03003055	steel	30	30	M8	8	175	350
K0569.03004055	steel	30	40	M8	8	133	400
K0569.04003055	steel	40	30	M8	8	530	1060
K0569.04004055	steel	40	40	M8	8	222	666
K0569.05003055	steel	50	30	M10	10	680	1360
K0569.05004055	steel	50	40	M10	10	333	1000
K0569.05005055	steel	50	50	M10	10	190	665
K0569.07504055	steel	75	40	M12	12	750	2250
K0569.07505055	steel	75	50	M12	12	636	2225

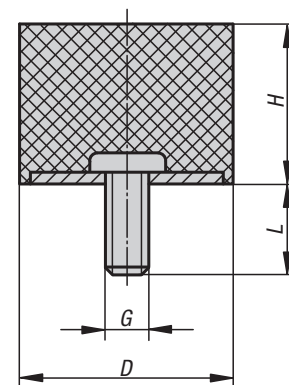
# Rubber buffers

style D

METRIC  
Parts

## KIPP Rubber buffers, style D, metric

Item No.	D	H	G	L	Spring stiffness N/mm	Load N
K0571.00800855	8	8	M3	6	40	40
K0571.01001055	10	10	M4	10	35	35
K0571.01001555	10	15	M4	10	26	40
K0571.01500655	15	6	M4	10	175	88
K0571.01500855	15	8	M4	10	187	187
K0571.01501055	15	10	M4	10	100	100
K0571.01501555	15	15	M4	10	50	100
K0571.02000555	20	5	M6	18	135	95
K0571.02000855	20	8	M6	18	250	250
K0571.02001055	20	10	M6	18	240	240
K0571.02001555	20	15	M6	18	110	220
K0571.02002055	20	20	M6	18	75	225
K0571.02002555	20	25	M6	18	65	227,5
K0571.02500855	25	8	M6	18	850	850
K0571.02501055	25	10	M6	18	400	400
K0571.02501555	25	15	M6	18	210	420
K0571.02502055	25	20	M6	18	140	420
K0571.02502555	25	25	M6	18	100	350
K0571.02503055	25	30	M6	18	79	316
K0571.03001555	30	15	M8	23	270	540
K0571.03002055	30	20	M8	23	238	714
K0571.03002555	30	25	M8	23	153	535,5
K0571.03003055	30	30	M8	23	127	508
K0571.03004055	30	40	M8	23	88	528
K0571.04001555	40	15	M8	23	710	1420
K0571.04002055	40	20	M8	23	365	1095
K0571.04003055	40	30	M8	23	205	820
K0571.04004055	40	40	M8	23	143	858
K0571.05002055	50	20	M10	28	646	1938
K0571.05003055	50	30	M10	28	354	1416
K0571.05004055	50	40	M10	28	230	1380
K0571.05005055	50	50	M10	28	160	1280
K0571.06004055	60	40	M10	28	317	1902
K0571.07002555	70	25	M10	28	980	3430
K0571.07004555	70	45	M10	28	438	3066
K0571.07502555	75	25	M12	37	1318	4613
K0571.07504055	75	40	M12	37	643	3858
K0571.07505055	75	50	M12	37	472	3776
K0571.07505555	75	55	M12	37	310	3100

**Material:**

Metal parts steel, quality class 5.6.  
Elastomer, natural rubber, medium hardness Shore 55A.

**Type:**

Steel electro zinc-plated.

**Part Number Example:**

K0571.00800855

**Note:**

These Rubber Buffers are used, among other things for mounting assemblies and as elastic buffers to limit the travel of moving masses. They also find use as feet that are not firmly fixed in the floor or where the floor is sensitive i.e. office equipment.

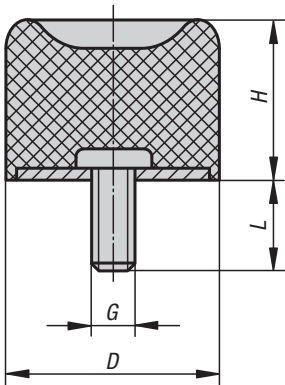
**Temperature range:**

-30 °C to +80 °C.

# Rubber buffers

style DS suction base

METRIC  
Parts



**Material:**

Metal parts steel, quality class 5.6.  
Elastomer, natural rubber, medium hardness Shore 57A.

**Type:**

Steel electro zinc-plated.

**Part Number Example:**

K0572.01501457

**Note:**

These Rubber Buffers are used, among other things for mounting assemblies, and as elastic buffers to limit the travel of moving masses.

**Temperature range:**

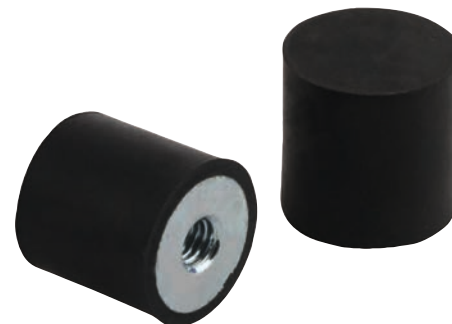
-30 °C to +80 °C.

## KIPP Rubber buffers, style DS suction base, metric

Item No.	D	H	G	L	Spring stiffness N/mm	Load N
K0572.01501457	15	14	M4	13	50	100
K0572.02501857	25	18,5	M6	18	95	285
K0572.03002857	30	28,5	M8	23	97	340
K0572.04002857	40	28	M8	23	120	480
K0572.05002857	50	28	M10	28	220	990
K0572.07003057	70	30	M10	28	360	2160
K0572.07503757	75	37	M12	37	390	3510
K0572.10005057	100	50	M16	42	540	8100

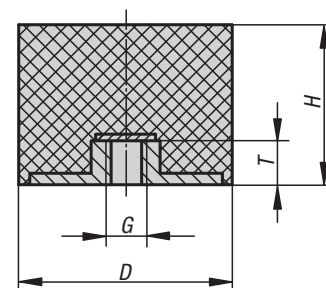
# Rubber buffers

style E

 METRIC  
Parts


## KIPP Rubber buffers, style E, metric

Item No.	D	H	G	T	Spring stiffness N/mm	Load N
K0573.00800855	8	8	M3	3	88	44
K0573.01501255	15	12	M4	4	165	182
K0573.01501555	15	15	M4	4	100	130
K0573.01502055	15	20	M4	4	75	113
K0573.02001555	20	15	M6	6	145	246
K0573.02002055	20	20	M6	6	94	216
K0573.02002555	20	25	M6	6	65	169
K0573.02501555	25	15	M6	6	270	540
K0573.02502555	25	25	M6	6	105	315
K0573.02503055	25	30	M6	6	85	281
K0573.02504055	25	40	M6	6	75	300
K0573.03001555	30	15	M8	8	545	491
K0573.03002555	30	25	M8	8	160	416
K0573.03003055	30	30	M8	8	125	425
K0573.03004055	30	40	M8	8	85	315
K0573.04002055	40	20	M8	8	550	660
K0573.04002555	40	25	M8	8	500	1000
K0573.04003055	40	30	M8	8	300	870
K0573.04004055	40	40	M8	8	260	1040
K0573.05002055	50	20	M10	10	860	860
K0573.05002555	50	25	M10	10	700	1400
K0573.05003055	50	30	M10	10	450	1575
K0573.05004055	50	40	M10	10	350	1400
K0573.05005055	50	50	M10	10	170	850
K0573.06003055	60	30	M10	10	700	1400
K0573.06004055	60	40	M10	10	400	1600
K0573.06005055	60	50	M10	10	240	1200
K0573.07004255	70	42	M10	10	520	2600
K0573.07004555	70	45	M10	10	680	3060
K0573.07502555	75	25	M12	12	1211	1816
K0573.07503055	75	30	M12	12	1090	2289
K0573.07504055	75	40	M12	12	500	2000
K0573.07505055	75	50	M12	12	550	2750


**Material:**

Metal parts steel, quality class 5.6.  
Elastomer, natural rubber, medium hardness Shore 55A.

**Type:**

Steel electro zinc-plated.

**Part Number Example:**

K0573.00800855

**Note:**

Rubber Buffers are widely-used construction elements for elastic mounting. They are used, among other things, as mountings for assemblies, motors, compressors, pumps and testing machinery.

**Temperature range:**

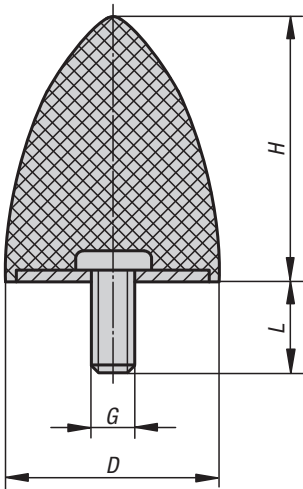
-30 °C to +80 °C.



# Rubber impact buffers

parabolic

METRIC  
Parts



**Material:**

Metal parts steel, quality class 5.6.

Elastomer, natural rubber, medium hardness Shore 55A.

**Type:**

Steel electro zinc-plated.

**Part Number Example:**

K0574.02002455

**Note:**

Rubber Impact Buffers are robust and effective elastic cushioning elements and shock absorbers. These buffers are ideal for elastic travel limitation and cushioning knocks by mobile and immobile assemblies, and machines and as use as door stops.

**Temperature range:**

-30 °C to +80 °C.

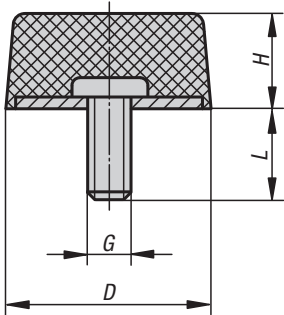
## KIPP Rubber impact buffers, parabolic, metric

Item No.	D	H	G	L	Spring stiffness N/mm	Load N
K0574.02002455	20	24	M6	18	14	500
K0574.03003655	30	36	M8	20	15	750
K0574.03504055	35	40	M8	23	16	1750
K0574.05005855	50	58	M10	28	30	3000
K0574.05006755	50	67	M8	38	30	3200
K0574.07508955	75	89	M12	37	50	8000

## Rubber impact buffers

conical

METRIC  
Parts



### KIPP Rubber impact buffers, conical, metric

Item No.	D	H	G	L	Spring stiffness N/mm	Load N
K0575.02501755	25	17	M6	18	3,7	678
K0575.05001855	50	18	M10	28	4	3600



**Material:**

Metal parts steel, quality class 5.6.  
Elastomer, natural rubber, medium hardness Shore 55A.

**Type:**

Steel electro zinc-plated.

**Part Number Example:**

K0575.02501755

**Note:**

Rubber Impact Buffers are robust and effective elastic cushioning elements and shock absorbers. They are ideal for elastic travel limitation and cushioning knocks by mobile and immobile assemblies and machines and as use as door stops.

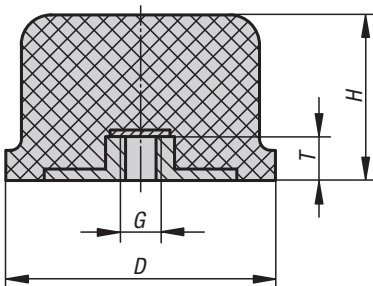
**Temperature range:**

-30 °C to +80 °C.

## Rubber impact buffers

spherical

METRIC  
Parts



### KIPP Rubber impact buffers, spherical, metric

Item No.	D	H	G	T	Spring stiffness N/mm	Load N
K0576.05003555	50	35	M10	10	120	3000
K0576.08006055	80	60	M12	12	150	11000
K0576.12509055	125	93	M16	16	200	20000



**Material:**

Metal parts steel, quality class 5.6.  
Elastomer, natural rubber, medium hardness Shore 55A.

**Type:**

Steel electro zinc-plated.

**Part Number Example:**

K0576.05003555

**Note:**

Rubber Impact Buffers are robust and effective by cushioning against knocks and vibration. They are ideally suited for elastic travel limitation and for the cushioning of shocks by mobile and immobile assemblies, machines and as general stops.

**Temperature range:**

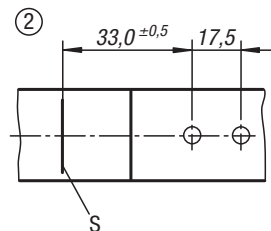
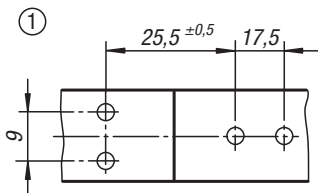
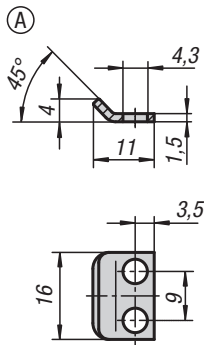
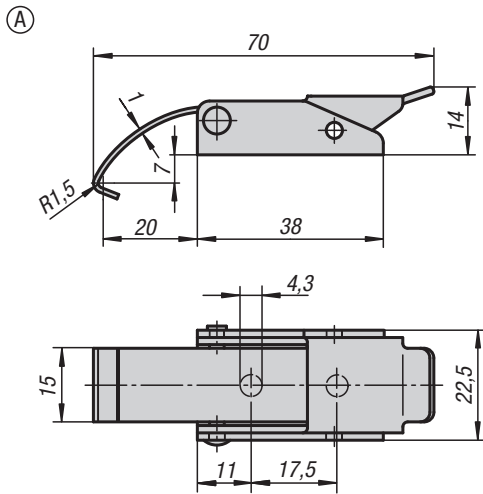
-30 °C to +80 °C.

## Latches

with spring clip



METRIC  
Parts



**Material:**

Steel or stainless steel 1.4301  
(AISI 304 equivalent).

**Type:**

Steel trivalent blue passivated.  
Stainless steel bright.

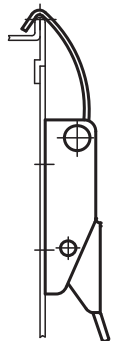
**Part Number Example:**

Latch K0043.1430701

Catch plate K0043.9143111

**Drawing reference:**

- 1) Hole arrangement for mounting with catch plate
- 2) Hole arrangement for mounting without catch plate



### KIPP Latches with spring clip, metric

Item No. steel	Item No. stainless steel	Style	Retaining force F1 N
K0043.1430701	K0043.1430702	A	500

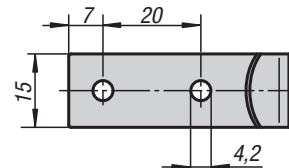
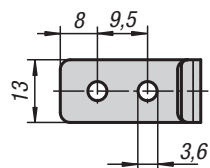
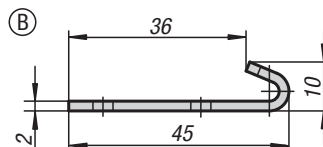
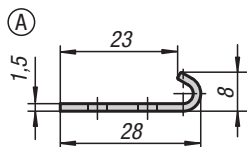
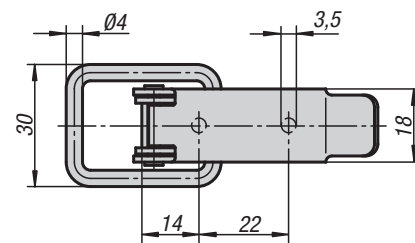
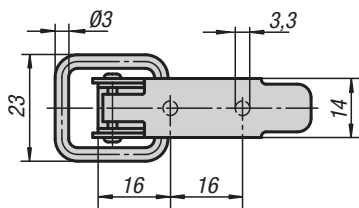
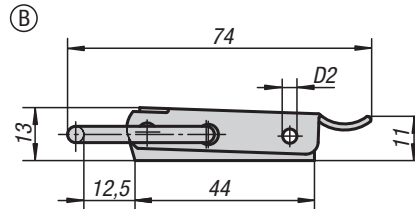
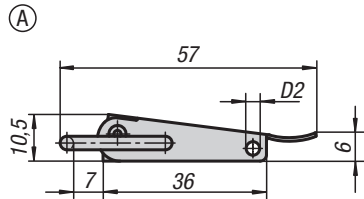
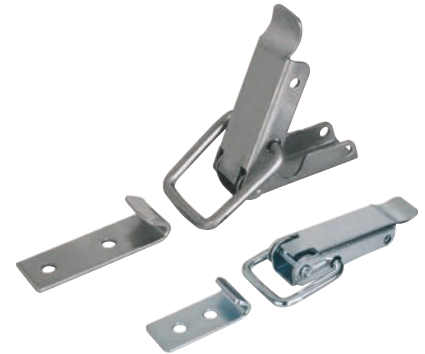
### KIPP Catch plate, metric

Item No. steel	Item No. stainless steel	Style
K0043.9143111	K0043.9143112	A

## Latches

with draw bail

METRIC  
Parts



**Material:**

Steel or stainless steel 1.4301 (AISI 304 equivalent).

**Type:**

Steel trivalent blue passivated.  
Stainless steel bright.

**Part Number Example:**

Latch K0044.1330571  
Catch plate K0044.9136281

**Note:**

Latches with draw bail for securing and locking hatches, container lids, machine cladding etc. By exceeding the dead center they resist vibration. The fastening force is applied by drawing on the bail.

The hole D2 can be used to secure against unintentional opening or attaching an official lead seal.

The latches can be screwed down or riveted.

Order catch plates separately.

The retaining force F1 applies to the latch, not the catch plate.

### KIPP Latches with draw bail, metric

Item No. steel	Item No. stainless steel	Style	D2	Retaining force F1 N
K0044.1330571	K0044.1330572	A	2,8	1000
K0044.2350741	K0044.2350742	B	3,2	2000

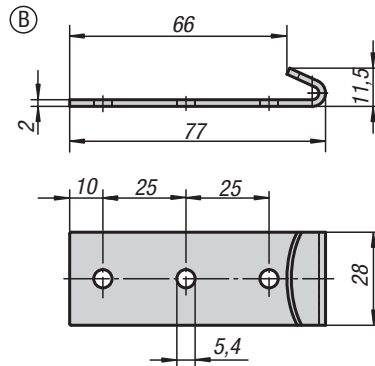
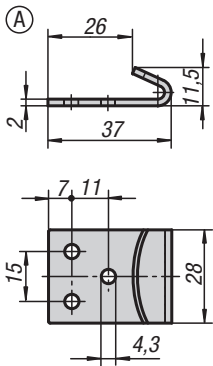
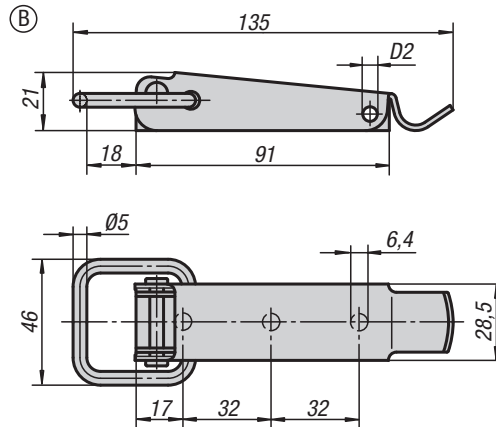
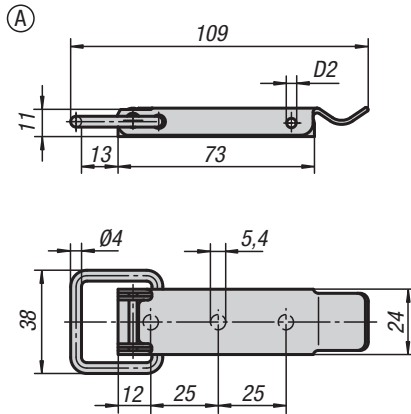
### KIPP Catch plate, metric

Item No. steel	Item No. stainless steel	Style
K0044.9136281	K0044.9136282	A
K0044.9242451	K0044.9242452	B

## Latches

with draw bail

METRIC  
Parts



**Material:**

Steel or stainless steel 1.4301 (AISI 304 equivalent).

**Type:**

Steel trivalent blue passivated. Stainless steel bright.

**Part Number Example:**

Latch K0045.1541091  
Catch plate K0045.9143371

**Note:**

Latches with draw bail for securing and locking hatches, container lids, machine cladding etc. By exceeding the dead center they resist vibration. The fastening force is applied by drawing on the bail.

The hole D2 can be used to secure against unintentional opening or attaching an official lead seal.

The latches can be screwed down or riveted.

Order catch plates separately. The retaining force F1 applies to the latch, not the catch plate.

**On request:**

Lockable version with padlock bracket.

### KIPP Latches with draw bail, metric

Item No. steel	Item No. stainless steel	Style	D2	Retaining force F1 N
K0045.1541091	K0045.1541092	A	3,2	2000
K0045.2641351	K0045.2641352	B	3,8	3000

### KIPP Catch plate, metric

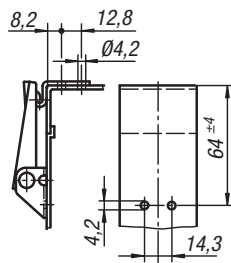
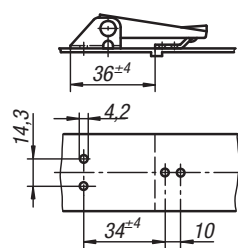
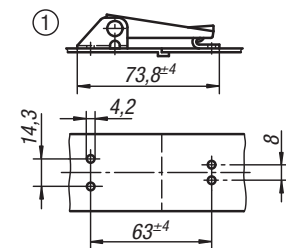
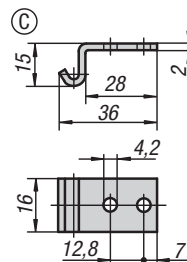
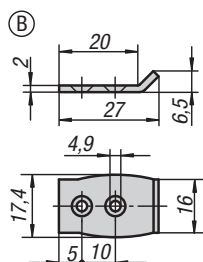
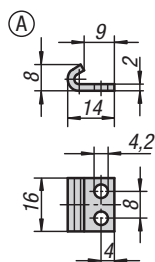
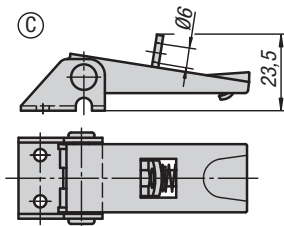
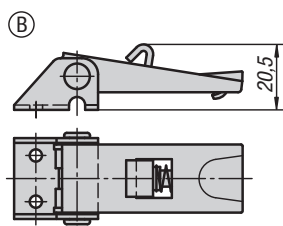
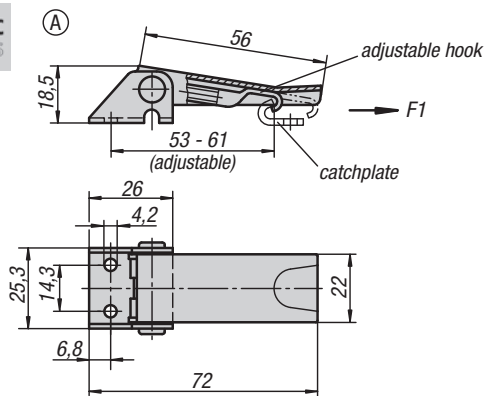
Item No. steel	Item No. stainless steel	Style
K0045.9143371	K0045.9143372	A
K0045.9254771	K0045.9254772	B

## Adjustable Latches

screw holes visible



METRIC  
Parts



### KIPP Adjustable Latches screw holes visible, metric

Item No. steel	Item No. stainless steel	Style	Retaining force F1 N
K0046.1420721	K0046.1420722	A	1000
K0046.2420721	K0046.2420722	B	1000
K0046.3420721	K0046.3420722	C	1000

### KIPP Catch plate, metric

Item No. steel	Item No. stainless steel	Style
K0046.9142141	K0046.9142142	A
K0046.9242271	K0046.9242272	B
K0046.9342381	K0046.9342382	C

**Material:**

Steel or stainless steel 1.4301 (AISI 304 equivalent).

**Type:**

Steel trivalent blue passivated.  
Stainless steel bright.

**Part Number Example:**

Latch K0046.1420721  
Catch plate K0046.9142141

**Note:**

Adjustable latches are secure locking systems for industrial applications. By exceeding the dead center they resist vibration.

After the hook is engaged with the catch plate, the parts to be locked can be drawn together by up to 5 mm by pushing the lever down.

To compensate for tolerances or to create enough tension, the hook length can be adjusted using the M5 threaded spindle.

The latches can be screwed down or riveted.

Any catch plate can be combined with any latch.

Order required catch plate version separately.

The retaining force F1 applies to the latch, not the catch plate.

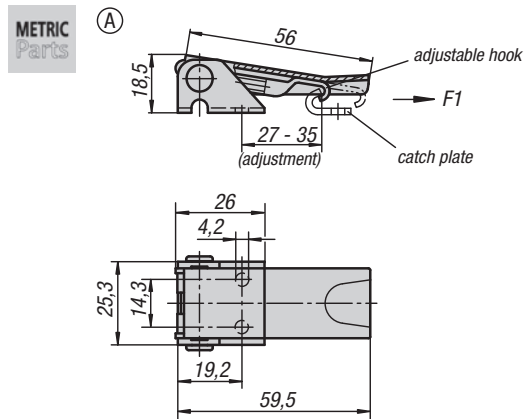
**Drawing reference:**

Style A: standard  
Style B: with safety catch  
Style C: with padlock bracket

1) Hole arrangements for assembly with catch plate

## Adjustable Latches

screw holes covered



**Material:**

Steel or stainless steel 1.4301 (AISI 304 equivalent).

**Type:**

Steel trivalent blue passivated.  
Stainless steel bright.

**Part Number Example:**

Latch K0047.1420601  
Catch plate K0046.9142141

**Note:**

Adjustable latches are secure locking systems for industrial applications. By exceeding the dead center they resist vibration.

After the hook is engaged with the catch plate, the parts to be locked can be drawn together by up to 5 mm by pushing the lever down.

To compensate for tolerances or to create enough tension, the hook length can be adjusted using the M5 threaded spindle.

The latches can be screwed down or riveted.

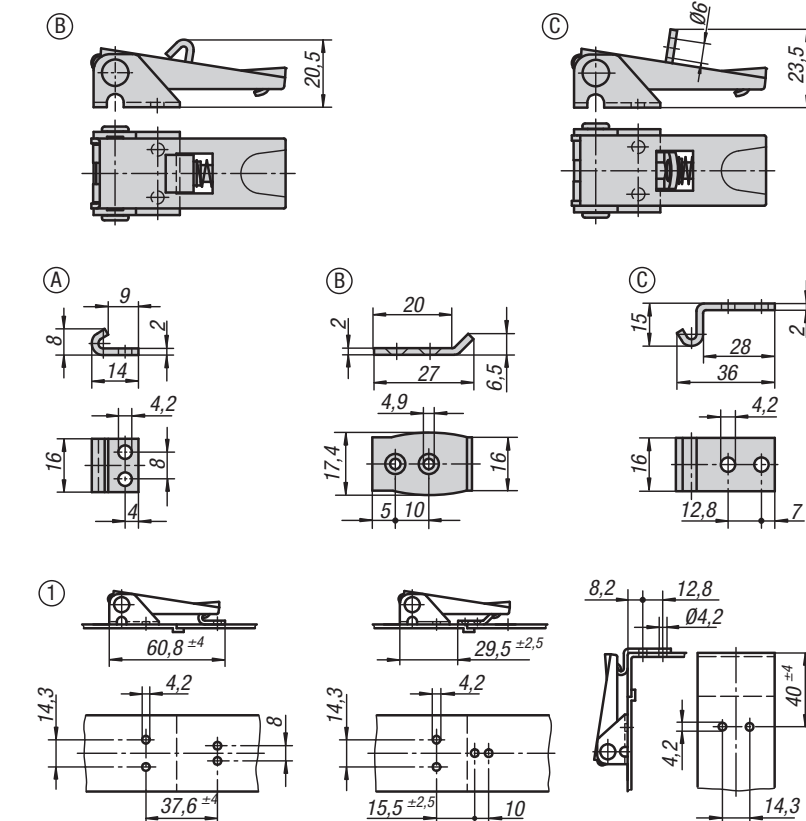
Any catch plate can be combined with any latch.

Order required catch plate version separately.

The retaining force F1 applies to the latch, not the catch plate.

**Drawing reference:**

Style A: standard  
Style B: with safety catch  
Style C: with padlock bracket



**KIPP Adjustable Latches screw holes covered, metric**

Item No. steel	Item No. stainless steel	Style	Retaining force F1 N
K0047.1420601	K0047.1420602	A	1000
K0047.2420601	K0047.2420602	B	1000
K0047.3420601	K0047.3420602	C	1000

**KIPP Catch plate, metric**

Item No. steel	Item No. stainless steel	Style
K0046.9142141	K0046.9142142	A
K0046.9242271	K0046.9242272	B
K0046.9342381	K0046.9342382	C

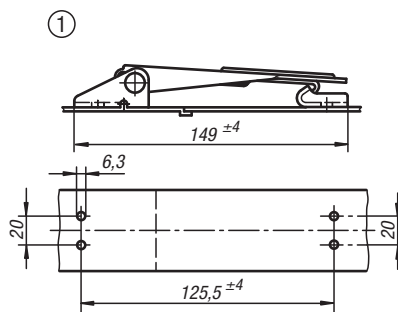
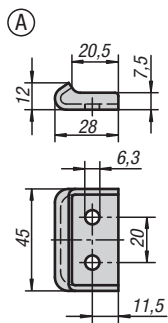
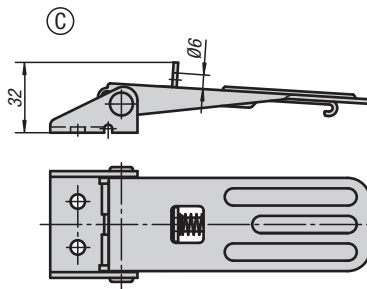
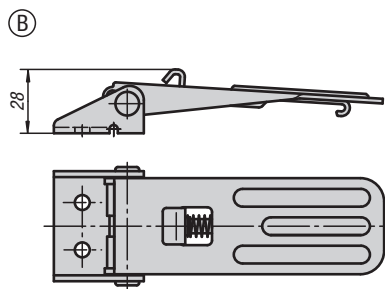
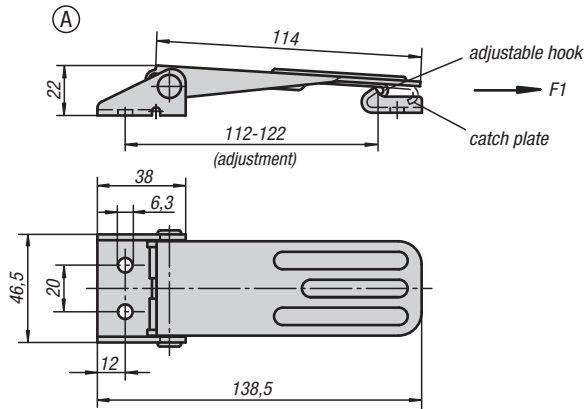
1) Hole arrangements for assembly with catch plate

## Adjustable Latches

screw holes visible



METRIC  
Parts



**Material:**

Steel or stainless steel 1.4301 (AISI 304 equivalent).

**Type:**

Steel trivalent blue passivated.  
Stainless steel bright.

**Part Number Example:**

Latch K0048.1631391  
Catch plate K0048.9163281

**Note:**

Adjustable latches are secure locking systems for industrial applications. By exceeding the dead center they resist vibration. These latches are very robust and have a low overall height.

After the hook is engaged with the catch plate, the parts to be locked can be drawn together by up to 6 mm by pushing the lever down. To compensate for tolerances or to create enough tension, the hook length can be adjusted using the M6 threaded spindle.

The latches can be screwed down or riveted.

Order required catch plate separately.

The retaining force F1 applies to the latch, not the catch plate.

**Drawing reference:**

Style A: standard  
Style B: with safety catch  
Style C: with padlock bracket

1) Hole arrangements for assembly with catch plate

**KIPP Adjustable Latches screw holes visible, metric**

Item No. steel	Item No. stainless steel	Style	Retaining force F1 N
K0048.1631391	K0048.1631392	A	4000
K0048.2631391	K0048.2631392	B	4000
K0048.3631391	K0048.3631392	C	4000

**KIPP Catch plate, metric**

Item No. steel	Item No. stainless steel	Style
K0048.9163281	K0048.9163282	A

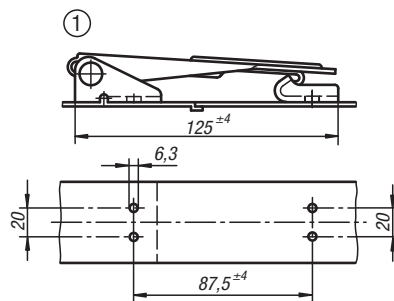
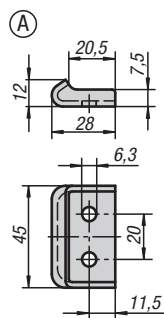
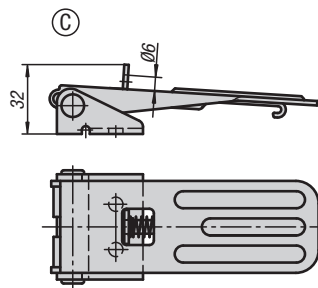
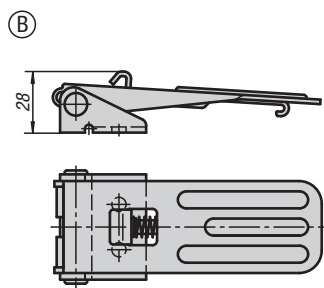
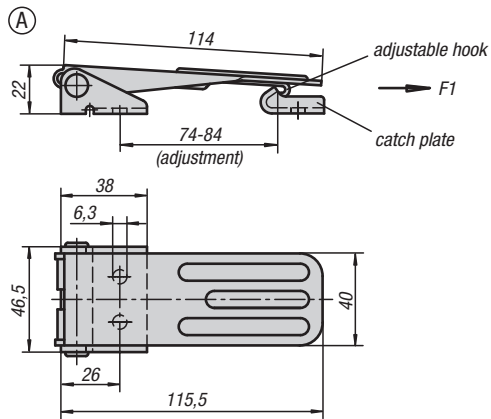


## Adjustable Latches

screw holes covered



METRIC  
Parts



**Material:**

Steel or stainless steel 1.4301 (AISI 304 equivalent).

**Type:**

Steel trivalent blue passivated.  
Stainless steel bright.

**Part Number Example:**

Latch K0049.1631161  
Catch plate K0048.9163281

**Note:**

Adjustable latches are secure locking systems for industrial applications. By exceeding the dead center they resist vibration. These latches are very robust and have a low overall height.

After the hook is engaged with the catch plate, the parts to be locked can be drawn together by up to 6 mm by pushing the lever down. To compensate for tolerances or to create enough tension, the hook length can be adjusted using the M6 threaded spindle.

The latches can be screwed down or riveted.

Order required catch plate separately.

The retaining force F1 applies to the latch, not the catch plate.

**Drawing reference:**

Style A: standard  
Style B: with safety catch  
Style C: with padlock bracket

1) Hole arrangements for assembly with catch plate

### KIPP Adjustable Latches screw holes covered, metric

Item No. steel	Item No. stainless steel	Style	Retaining force F1 N
K0049.1631161	K0049.1631162	A	4000
K0049.2631161	K0049.2631162	B	4000
K0049.3631161	K0049.3631162	C	4000

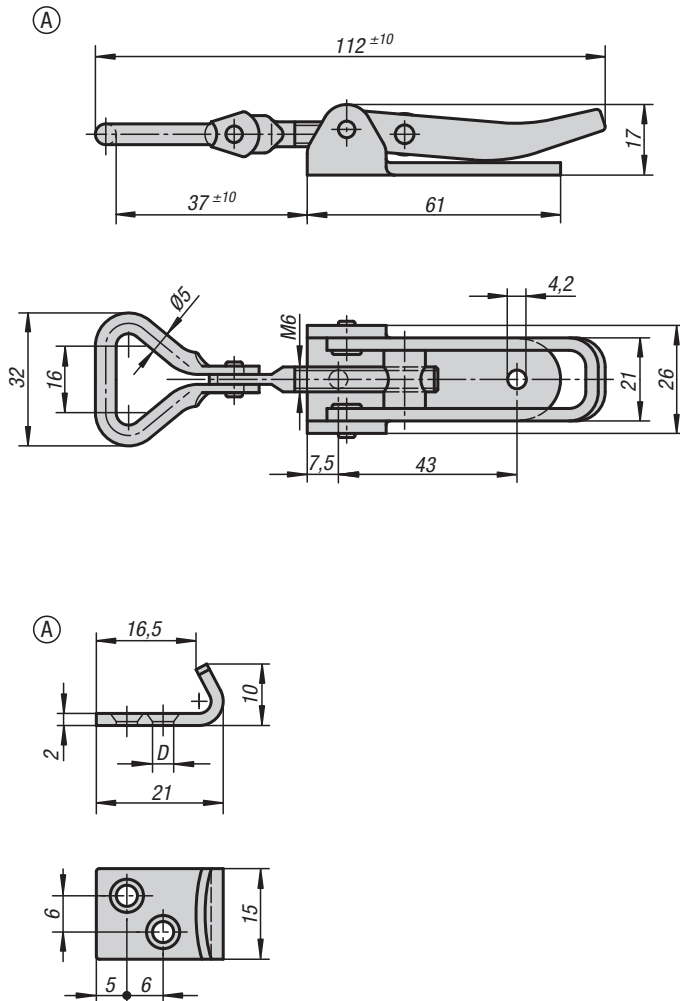
### KIPP Catch plate, metric

Item No. steel	Item No. stainless steel	Style
K0048.9163281	K0048.9163282	A

## Adjustable Latches

with swing bail

METRIC  
Parts



**Material:**

Steel or stainless steel 1.4301 (AISI 304 equivalent).

**Type:**

Steel trivalent blue passivated.  
Stainless steel bright.

**Part Number Example:**

Latch K0050.1421121  
Catch plate K0050.9135211

**Note:**

Adjustable latches are secure locking systems for industrial applications. By exceeding the dead center they resist vibration. To compensate for tolerances the latch has a swing mounted bail.

After the bail is engaged with the catch plate, the parts to be locked can be drawn together by up to 15 mm by pushing the lever down. To compensate for tolerances or to create enough tension the bail length can be adjusted by the M6 threaded spindle.

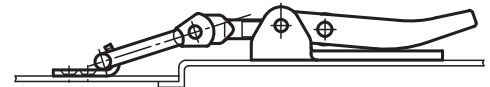
The latches can be screwed down or riveted. We recommend using countersunk screws for fastening the components.

Order catch plates separately.

The retaining force F1 applies to the latch, not the catch plate.

**On request:**

Available with safety catch to prevent springing open.



### KIPP Adjustable Latches with swing bail, metric

Item No. steel	Item No. stainless steel	Style	Retaining force F1 N
K0050.1421121	K0050.1421122	A	1000

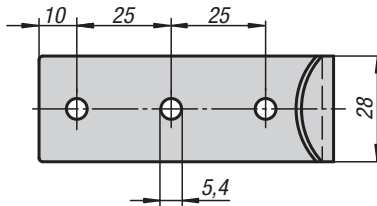
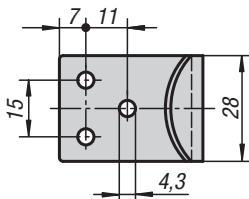
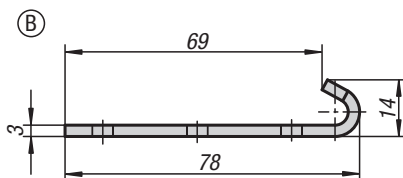
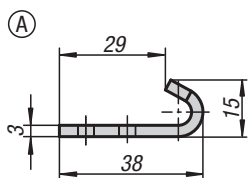
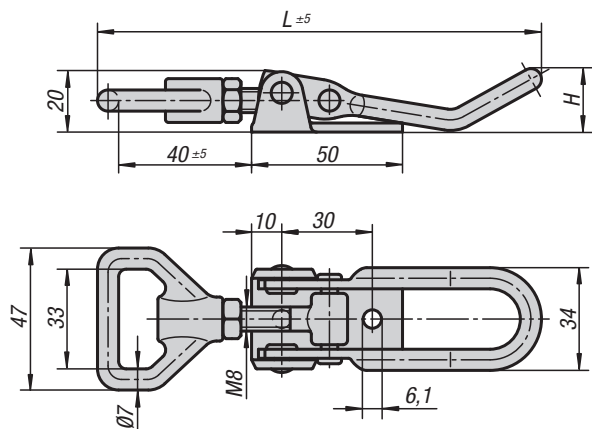
### KIPP Catch plate, metric

Item No. steel	Item No. stainless steel	Style	D
K0050.9135211	K0050.9135212	A	3,7

## Adjustable Latches



METRIC  
Parts



**Material:**

Steel or stainless steel 1.4301 (AISI 304 equivalent).

**Type:**

Steel trivalent blue passivated.  
Stainless steel bright.

**Part Number Example:**

Latch K0051.1611451  
Catch plate K0051.9143381

**Note:**

Adjustable latches are secure locking systems for industrial applications. By exceeding the dead center they resist vibration.

After the bail engages with the catch plate, the parts to be locked can be drawn together by up to 15 mm by pushing the lever down. To compensate for tolerances or to create enough tension the bail length can be adjusted using the M8 spindle.

The latches can be screwed down or riveted. We recommend using countersunk screws for fastening the components.

Order the required catch plate version separately.

The retaining force F1 applies to the latch, not the catch plate.

**On request:**

Lockable version with padlock bracket.

### KIPP Adjustable Latches, metric

Item No. steel	Item No. stainless steel	H	L	Retaining force F1 N
K0051.1611451	K0051.1611452	21	145	6500
K0051.1611681	K0051.1611682	36	168	6500

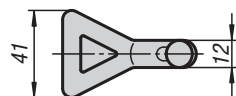
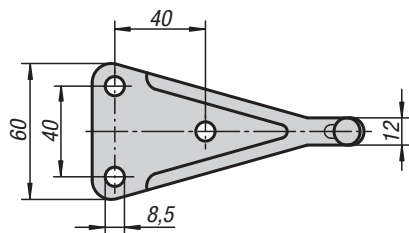
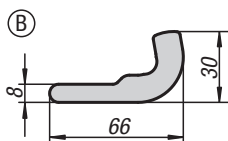
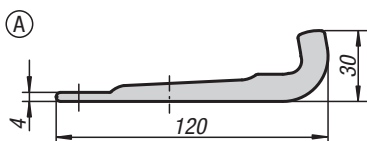
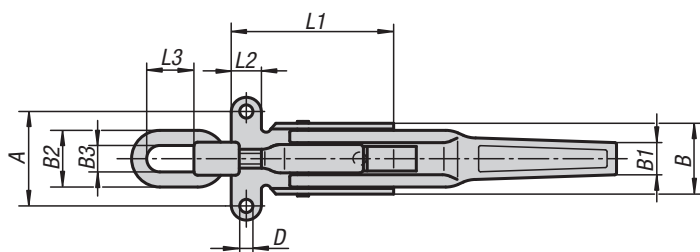
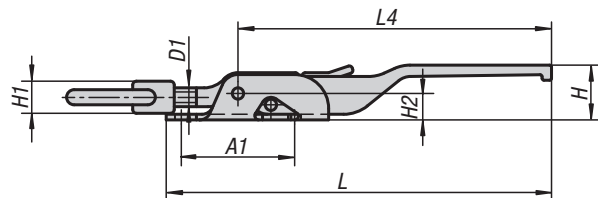
### KIPP Catch plate, metric

Item No. steel	Item No. stainless steel	Style
K0051.9143381	K0051.9143382	A
K0051.9254781	K0051.9254782	B

## Adjustable Latches

heavy-duty model

METRIC  
Parts



**Material:**

Steel.

**Type:**

Trivalent blue passivated.

Catch plate Style B (weldable) bright.

**Part Number Example:**

Latch K0052.1702041

Catch plate K0052.91851201

**Note:**

Heavy-duty forged latches for high tensile loads. Primarily used on utility vehicles, agricultural and construction machinery. A ratchet prevents unintentional opening when closed.

To compensate for tolerances or to create enough tension the bail can be adjusted using the spindle D1.

Order required catch plate version separately.

The retaining force F1 applies to the latch, not the catch plate.

**KIPP Adjustable Latches heavy-duty model, metric**

Item No.	A	A1	B	B1	B2	B3	D	D1	H	H1	H2	L	L1	L2	L3	L4	Retaining force F1 N
K0052.1702041	50	62	37	18	30	14	7	M10	30	17	14	204	86	16	25	165	20000
K0052.1852371	65	82	50	20	36	15	8,5	M14x1,5	32	20	18	237	104	21	40	190	30500

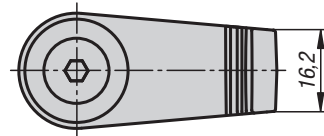
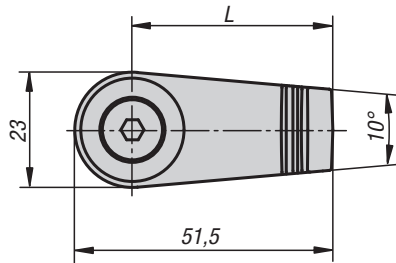
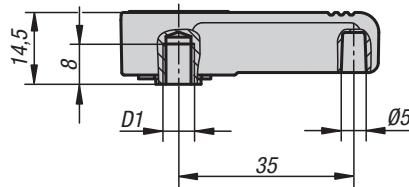
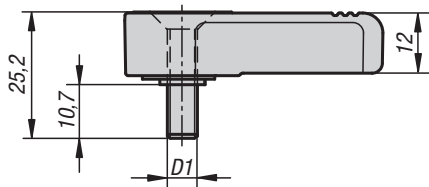
**KIPP Catch plate, metric**

Item No.	Style
K0052.91851201	A
K0052.92000601	B

## Stop Latches



METRIC  
Parts



**Material:**

Housing die-cast zinc, powder-coated.  
Pin steel 1.0718.  
Washer plastic.  
Circlip spring steel.  
Countersunk screw steel quality class 8.8.

**Type:**

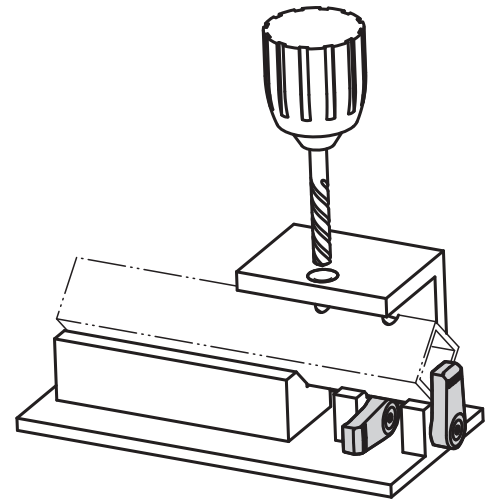
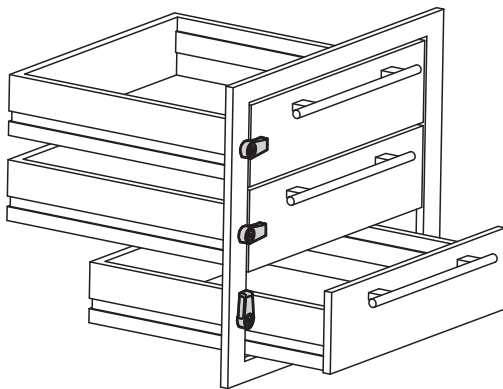
Housing black or red.  
Pin trivalent blue passivated.  
Circlip and countersunk screw, black.

**Part Number Example:**

K0271.140061

**Note:**

Engages every 90°.



**KIPP Stop Latch, metric**

Item No.	Main color	Version	L	D1
K0271.140062	Red	internal thread	40	M6
K0271.140061	black	internal thread	40	M6
K0271.140062X10	Red	external thread	40	M6
K0271.140061X10	black	external thread	40	M6

## Rest Pads



METRIC  
Parts

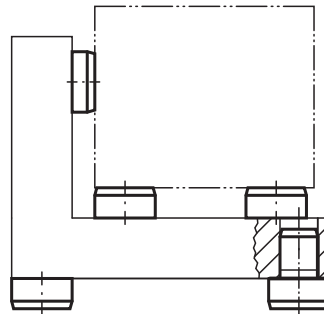
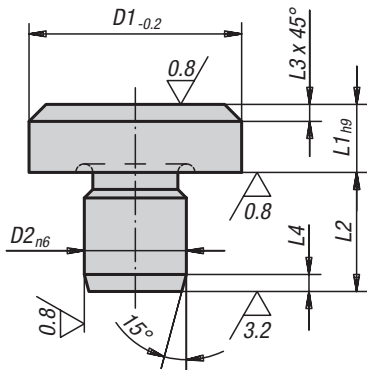


**Material:**  
Tool steel.

**Type:**  
Hardened and ground.  
Top face without centerbore.

**Part Number Example:**  
K0292.041

**Note:**  
If more than one rest pad is used, the support height can be reground. Rest pads can also be used as feet for jigs and fixtures.



### KIPP Rest pads, metric

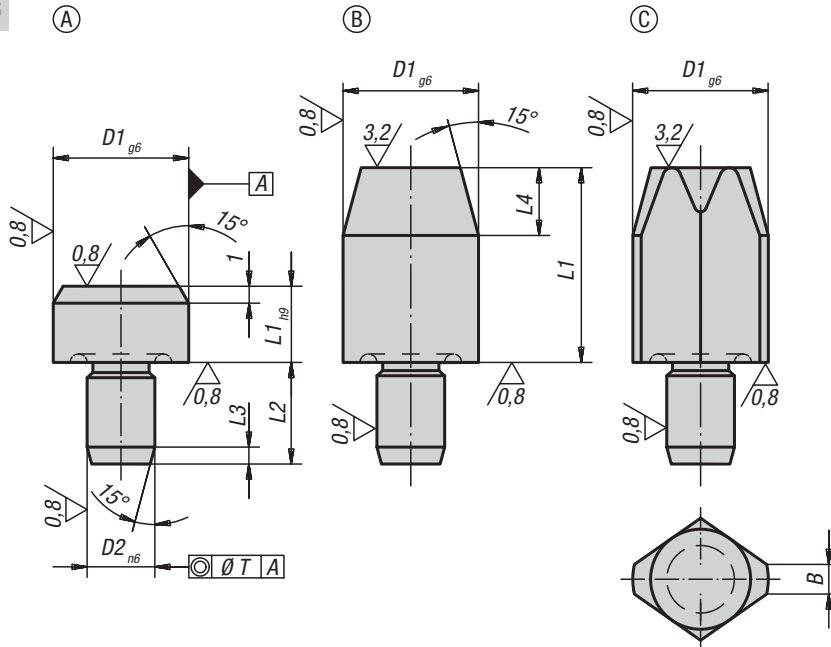
Item No.	D1	L1	D2	L2	L3	L4
K0292.041	6	2,5	4	6,5	0,7	1,2
K0292.042	6	4,5	4	8,5	0,7	1,2
K0292.04	6	5	4	6	0,7	1,2
K0292.061	10	4,5	6	8,5	0,9	1,5
K0292.06	10	8	6	8,5	0,9	1,5
K0292.08	16	5	8	10	2	2
K0292.081	16	13	8	10	2	2
K0292.10	20	6	10	12	2	2
K0292.101	20	12	10	12	2	2
K0292.12	25	8	12	14	2	2
K0292.122	25	20	12	14	2	2
K0292.123	25	30	12	14	2	2
K0292.16	30	25	16	20	2,5	2,5
K0292.164	30	40	16	20	2,5	2,5
K0292.165	30	50	16	20	2,5	2,5
K0292.166	30	65	16	20	2,5	2,5
K0292.20	30	80	20	20	2,5	2,5
K0292.201	30	100	20	20	2,5	2,5
K0292.202	40	13	20	20	3,2	3,2
K0292.203	40	32	20	20	3,2	3,2

## Locating Pins and Rest Pads

DIN 6321 (Edition 1973)



METRIC  
Parts



**Material:**  
Tool steel.

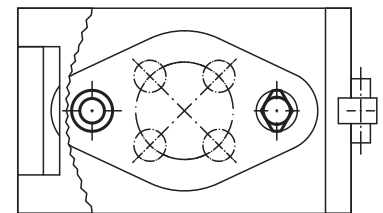
**Type:**  
Hardened and ground.

**Part Number Example:**  
K0293.212

**Note:**  
Rest pads Style A are supports for workpieces and fixtures.  
Locating pins Style B are for positioning workpieces and fixture components in reamed holes.  
The flattened Style C can be used to bridge tolerances in hole spacing or to secure the part to be positioned in one direction only.  
Styles A and B can also be used as hardened stops and as fixture feet.  
For similar pins see K0352, K0353, K0354 and K0355.

**Drawing reference:**  
Style A: Rest pad  
Style B: Cylindrical locating pin  
Style C: Flattened locating pin

For other dimensions see Style A.



### KIPP Rest pads, Style A, metric

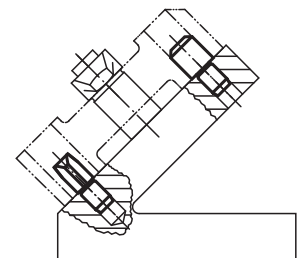
Item No. without centre bore	D1	L1	D2	L2	L3	T
K0293.106	6	5	4	6	1,2	0,02
K0293.110	10	6	6	9	1,6	0,02
K0293.116	16	8	8	12	2	0,04
K0293.125	25	10	12	18	2,5	0,04

### KIPP Cylindrical locating pins, Style B, metric

Item No. short	Item No. long	D1	L1	D2	L2	L3	L4	T
K0293.206	K0293.306	6	7/12	4	6	1,2	4	0,02
K0293.208	K0293.308	8	10/16	6	9	1,6	6	0,02
K0293.210	K0293.310	10	10/18	6	9	1,6	6	0,02
K0293.212	K0293.312	12	10/18	6	9	1,6	6	0,02
K0293.216	K0293.316	16	13/22	8	12	2	8	0,04
K0293.220	K0293.320	20	15/25	12	18	2	9	0,04
K0293.225	K0293.325	25	15/25	12	18	2,5	9	0,04

### KIPP Flattened locating pins, Style C, metric

Item No. short	Item No. long	D1	L1	D2	L2	L3	L4	B	T
K0293.406	K0293.506	6	7/12	4	6	1,2	4	1/1	0,02
K0293.408	K0293.508	8	10/16	6	9	1,6	6	1,6/1,6	0,02
K0293.410	K0293.510	10	10/18	6	9	1,6	6	2,5/2,5	0,02
K0293.412	K0293.512	12	10/18	6	9	1,6	6	2,5/2,5	0,02
K0293.416	K0293.516	16	13/22	8	12	2	8	3,5/3,5	0,04
K0293.420	K0293.520	20	15/25	12	18	2	9	5/5	0,04
K0293.425	K0293.525	25	15/25	12	18	2,5	9	5/5	0,04



## Positioning Feet



METRIC  
Parts



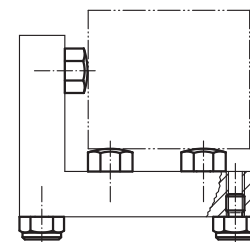
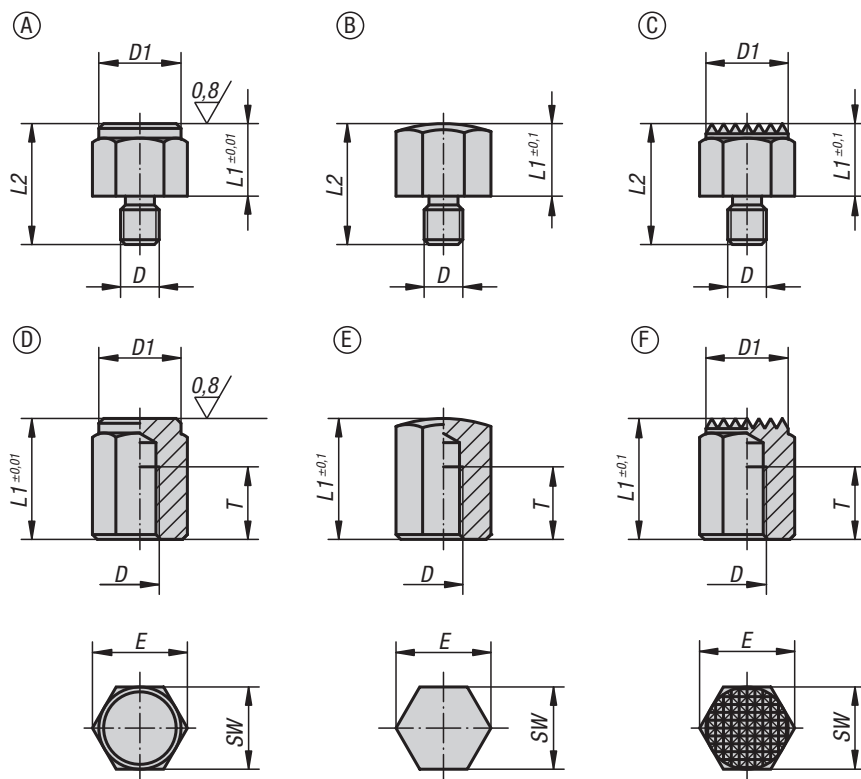
**Material:**  
Free-cutting steel.

**Type:**  
Case-hardened with black oxide finish.

**Part Number Example:**  
K0298.215

**Note:**  
Positioning Feet are used as supports, stops and thrust pads for fixtures and general machine and appliance construction.

**Drawing reference:**  
Style A: External thread and smooth face  
Style B: External thread and spherical face  
Style C: External thread and serrated face  
Style D: Internal thread and smooth face  
Style E: Internal thread and spherical face  
Style F: Internal thread and serrated face



### KIPP Positioning Feet with external thread, metric

Item No. Style A	Item No. Style B	Item No. Style C	D	L1	D1	L2	E	SW	Tightening torque max. Nm
K0298.1101	K0298.2101	K0298.3101	M8	10	17/-/17	20	19,4	17	18
K0298.110	K0298.210	K0298.310	M12	10	22/-/22	24	25,2	22	60
K0298.115	K0298.215	K0298.315	M12	15	22/-/22	29	25,2	22	60
K0298.1151	K0298.2151	K0298.3151	M16	15	30/-/30	34	33	30	140
K0298.1201	K0298.2201	K0298.3201	M16	20	30/-/30	39	33	30	140

### KIPP Positioning Feet with internal thread, metric

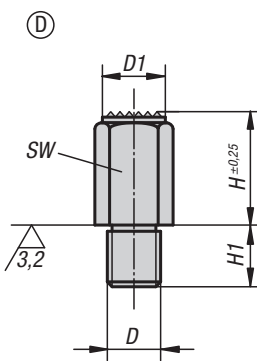
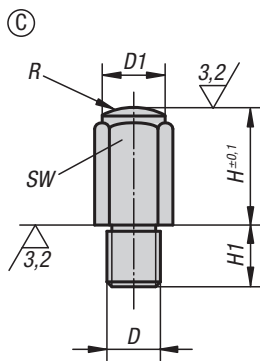
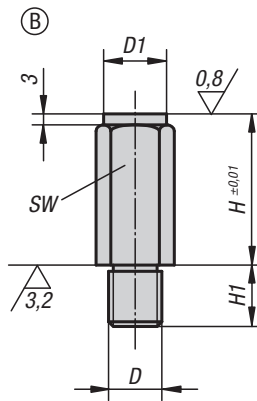
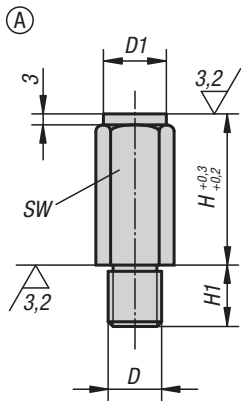
Item No. Style D	Item No. Style E	Item No. Style F	D	L1	D1	T	E	SW
K0298.415	K0298.515	K0298.615	M8	15	17/-/17	6	19,4	17
K0298.4251	K0298.5251	K0298.6251	M8	25	17/-/17	16	19,4	17
K0298.420	K0298.520	K0298.620	M12	20	22/-/22	10	25,2	22
K0298.425	K0298.525	K0298.625	M12	25	22/-/22	15	25,2	22
K0298.430	K0298.530	K0298.630	M12	30	22/-/22	20	25,2	22
K0298.440	K0298.540	K0298.640	M12	40	22/-/22	25	25,2	22
K0298.450	K0298.550	K0298.650	M12	50	22/-/22	25	25,2	22
K0298.4301	K0298.5301	K0298.6301	M16	30	30/-/30	20	33	30
K0298.4501	K0298.5501	K0298.6501	M16	50	30/-/30	25	33	30



## Positioning Feet



METRIC  
Parts



**Material:**  
Body high carbon steel.

**Type:**  
Body tempered and black oxide finish.  
Contact faces case-hardened.

**Part Number Example:**  
K0299.106010

**Note:**  
These positioning feet are used as supports for rough and machined parts and as stops. They can also be integrated into standard clamping or support elements.

**Drawing reference:**  
Style A: Flat face hardened  
Style B: Flat face hardened and ground  
Style C: Spherical face hardened  
Style D: Serrated face tempered

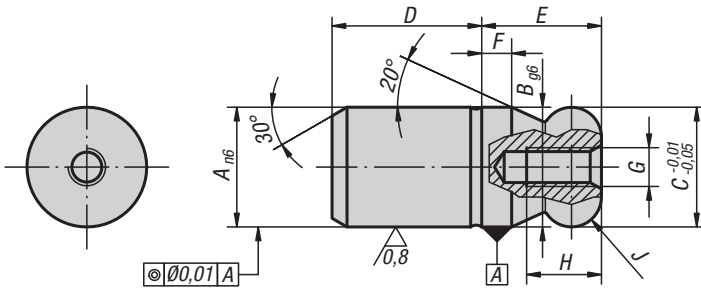
### KIPP Positioning Feet, metric

Item No. Style A	Item No. Style B	Item No. Style C	Item No. Style D	D	D1	H	H1	R	SW
K0299.106010	K0299.206010	K0299.306010	K0299.406010	M6	10	10	11	-/-15/-	10
K0299.106020	K0299.206020	K0299.306020	K0299.406020	M6	10	20	11	-/-15/-	10
K0299.108010	K0299.208010	K0299.308010	-	M8	13	10	13	-/-20/-	13
K0299.108015	K0299.208015	K0299.308015	K0299.408015	M8	13	15	13	-/-20/-	13
K0299.108030	K0299.208030	K0299.308030	K0299.408030	M8	13	30	13	-/-20/-	13
K0299.110010	K0299.210010	K0299.310010	-	M10	17	10	16	-/-30/-	17
K0299.110020	K0299.210020	K0299.310020	K0299.410020	M10	17	20	16	-/-30/-	17
K0299.110040	K0299.210040	K0299.310040	K0299.410040	M10	17	40	16	-/-30/-	17
K0299.112010	K0299.212010	K0299.312010	-	M12	19	10	20	-/-40/-	19
K0299.112025	K0299.212025	K0299.312025	K0299.412025	M12	19	25	20	-/-35/-	19
K0299.112050	K0299.212050	K0299.312050	K0299.412050	M12	19	50	20	-/-35/-	19
K0299.116015	K0299.216015	K0299.316015	-	M16	27	15	24	-/-50/-	27
K0299.116030	K0299.216030	K0299.316030	K0299.416030	M16	27	30	24	-/-50/-	27
K0299.116060	K0299.216060	K0299.316060	K0299.416060	M16	27	60	24	-/-50/-	27
K0299.120040	K0299.220040	K0299.320040	K0299.420040	M20	32	40	29	-/-60/-	32
K0299.120080	K0299.220080	K0299.320080	K0299.420080	M20	32	80	29	-/-60/-	32

## Locating Pins

with ball end, Style A

METRIC  
Parts



**Material:**

Tool steel or stainless steel 1.4305 (AISI 303 equivalent).

**Type:**

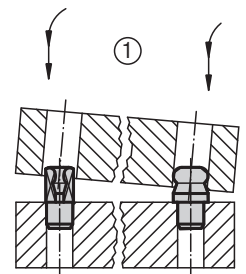
Steel hardened and ground.  
Stainless steel ground and kolsterized.

**Part Number Example:**

K0350.12

**Note:**

Ball end locating pins are specially designed to ease the locating process. The tendency to jam, caused by the locating hole not being at right angles to the pin or by the pushing force not being parallel to the pin axis, is minimized by the ball-end form (see illustration 1).



**KIPP Locating Pins with ball end, Style A, metric**

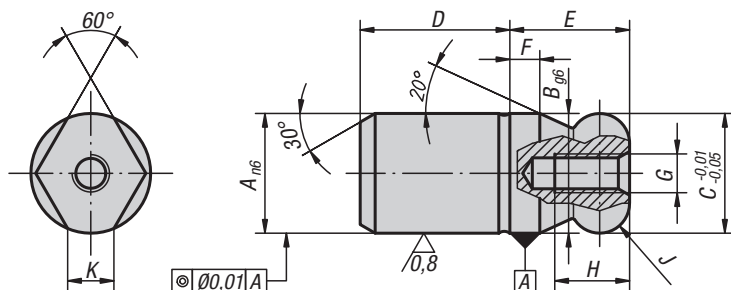
Item No. tool steel	Item No. stainless steel	A	B	C	D	E	F	G	H	J
K0350.08	K0350.508	8	8	8	10	8	2	M3	6	R 2
K0350.10	K0350.510	10	10	10	13	10	2,5	M3	6	R 2,5
K0350.12	K0350.512	12	12	12	15	12	3	M4	8	R 3
K0350.16	K0350.516	16	16	16	20	16	4	M5	10	R 4
K0350.20	K0350.520	20	20	20	25	20	5	M5	10	R 5
K0350.25	-	25	25	25	25	25	6	M5	10	R 6
K0350.30	-	30	30	30	30	30	8	M6	12	R 8
K0350.40	-	40	40	40	40	40	10	M6	12	R 10
K0350.50	-	50	50	50	50	50	12	M6	12	R 12

## Locating Pins

with flattened ball end, Style C



METRIC  
Parts



**Material:**

Tool steel or stainless steel 1.4305 (AISI 303 equivalent).

**Type:**

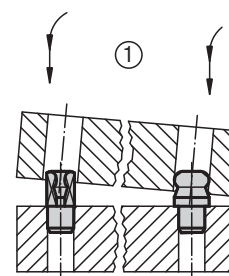
Steel hardened and ground.  
Stainless steel ground and kolsterized.

**Part Number Example:**

K0350.162

**Note:**

Ball end locating pins are specially designed to ease the locating process. The tendency to jam, caused by the locating hole not being at right angles to the pin or by the pushing force not being parallel to the pin axis, is minimized by the ball-end form (see illustration 1).



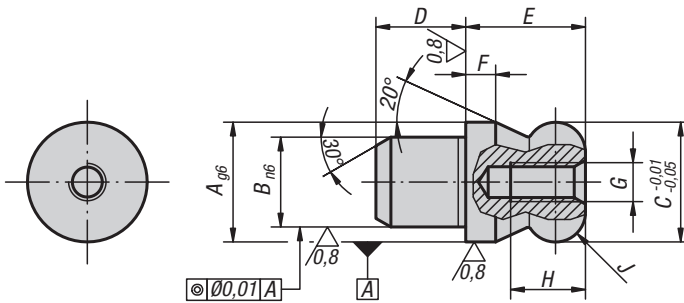
**KIPP Locating Pins with flattened ball end, Style C, metric**

Item No. tool steel	Item No. stainless steel	A	B	C	D	E	F	G	H	J	K
K0350.082	K0350.5082	8	8	8	10	8	2	M3	6	R 2	1,9
K0350.102	K0350.5102	10	10	10	13	10	2,5	M3	6	R 2,5	2,5
K0350.122	K0350.5122	12	12	12	15	12	3	M4	8	R 3	2,5
K0350.162	K0350.5162	16	16	16	20	16	4	M5	10	R 4	4,3
K0350.202	K0350.5202	20	20	20	25	20	5	M5	10	R 5	5
K0350.252	-	25	25	25	25	25	6	M5	10	R 6	5,6
K0350.302	-	30	30	30	30	30	8	M6	12	R 8	8,8
K0350.402	-	40	40	40	40	40	10	M6	12	R 10	12,8
K0350.502	-	50	50	50	50	50	12	M6	12	R 12	16,7

## Locating Pins

with ball end, Style B

METRIC  
Parts



**Material:**

Tool steel or stainless steel 1.4305 (AISI 303 equivalent).

**Type:**

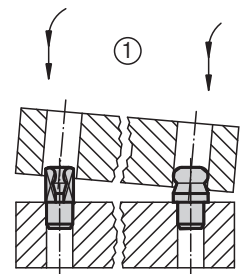
Steel hardened and ground.  
Stainless steel ground and kolsterized.

**Part Number Example:**

K0351.20

**Note:**

Ball end locating pins are specially designed to ease the locating process. The tendency to jam, caused by the locating hole not being at right angles to the pin or by the pushing force not being parallel to the pin axis, is minimized by the ball-end form (see illustration 1).

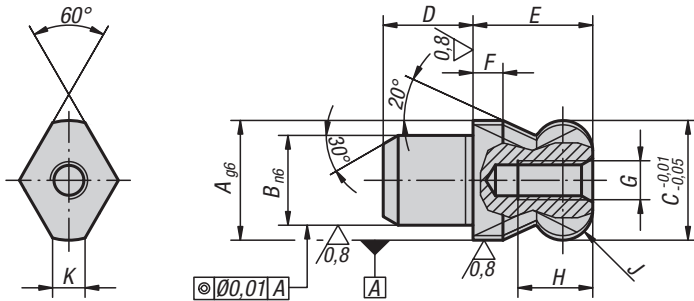


**KIPP Locating Pins with ball end, Style B, metric**

Item No. tool steel	Item No. stainless steel	A	B	C	D	E	F	G	H	J
K0351.10	K0351.510	10	7	10	7	10	2,5	M3	6	R 2,5
K0351.12	K0351.512	12	8	12	8	12	3	M4	8	R 3
K0351.16	K0351.516	16	12	16	12	16	4	M5	10	R 4
K0351.20	K0351.520	20	14	20	14	20	5	M5	10	R 5
K0351.22	-	22	16	22	16	22	5,5	M5	10	R 5,5
K0351.25	-	25	18	25	18	25	6	M5	10	R 6

## Locating Pins

with flattened ball end, Style D



**Material:**

Tool steel or stainless steel 1.4305 (AISI 303 equivalent).

**Type:**

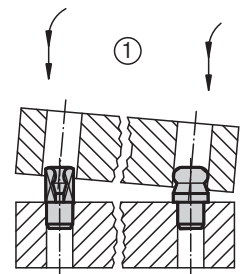
Steel hardened and ground.  
Stainless steel ground and kolsterized.

**Part Number Example:**

K0351.162

**Note:**

Ball end locating pins are specially designed to ease the locating process. The tendency to jam, caused by the locating hole not being at right angles to the pin or by the pushing force not being parallel to the pin axis, is minimized by the ball-end form (see illustration 1).



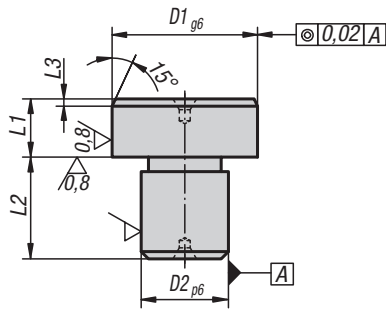
**KIPP Locating Pins with flattened ball end, Style D, metric**

Item No. tool steel	Item No. stainless steel	A	B	C	D	E	F	G	H	J	K
K0351.102	K0351.5102	10	7	10	7	10	2,5	M3	6	R 2,5	2,5
K0351.122	K0351.5122	12	8	12	8	12	3	M4	8	R 3	2,5
K0351.162	K0351.5162	16	12	16	12	16	4	M5	10	R 4	4,3
K0351.202	K0351.5202	20	14	20	14	20	5	M5	10	R 5	5
K0351.222	-	22	16	22	16	22	5,5	M5	10	R 5,5	5
K0351.252	-	25	18	25	18	25	6	M5	10	R 6	5,6

## Cylindrical Positioning Pins



METRIC  
Parts

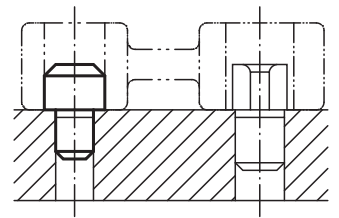


**Material:**  
Tool steel.

**Type:**  
Hardened and ground.

**Part Number Example:**  
K0352.08

**Note:**  
Top face with centerbore.



### KIPP Cylindrical Positioning Pins, ground, metric

Item No.	D1	D2	L1	L2	L3
K0352.05	8	5	8	8	2
K0352.07	10	7	8	8	2
K0352.08	12	8	8	10	2
K0352.081	14	8	8	10	3
K0352.09	16	9	8	12	3
K0352.12	18	12	8	12	3
K0352.121	20	12	8	14	3
K0352.14	22	14	8	14	3
K0352.16	25	16	8	16	3

## Free-Milled Positioning Pins

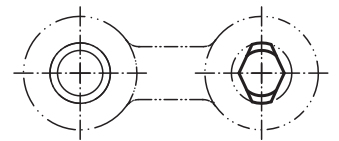
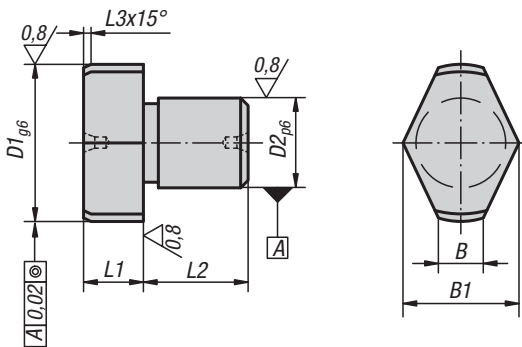


**Material:**  
Tool steel.

**Type:**  
Hardened and ground.

**Part Number Example:**  
K0354.08

**Note:**  
Top face with centerbore.



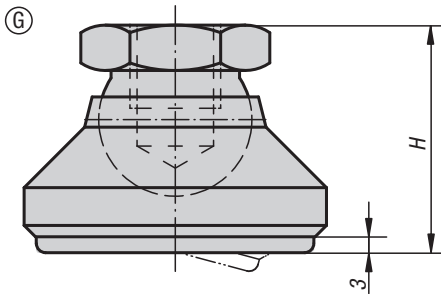
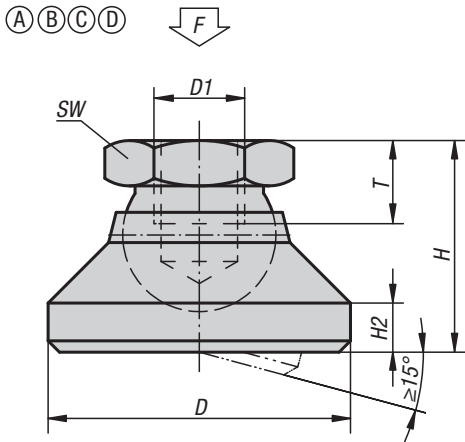
### KIPP Free-Milled Positioning Pins, ground, metric

Item No.	D1	D2	L1	L2	L3	B	B1
K0354.05	8	5	8	8	2	2	6,6
K0354.07	10	7	8	8	2	3	8,6
K0354.08	12	8	8	10	2	3	9,8
K0354.081	14	8	8	10	3	3,5	11,2
K0354.09	16	9	8	12	3	4	13,2
K0354.12	18	12	8	12	3	4,5	14,7
K0354.121	20	12	8	14	3	5	16,6
K0354.14	22	14	8	14	3	5,6	18
K0354.16	25	16	8	16	3	6	19,8

## Swivel Feet



INCH Parts    METRIC Parts



**Material:**

- Style A: Foot high carbon steel, ball element free-cutting steel.
- Style B: All stainless steel.
- Style C: Foot POM, ball element free-cutting steel.
- Style D: Foot POM, ball element stainless steel.
- Style G: Foot high carbon steel, ball element low carbon steel.

Anti-slip plate thermoplastic elastomer.

**Type:**

- Style A: Ball element case-hardened with black oxide finish.
- Style B: Bright.
- Style C: Ball element case-hardened with black oxide finish.
- Style D: Ball element bright.
- Style G: Ball element case hardened with black oxide finish, foot with anti-slip plate.

**Part Number Example:**

K0395.1A2

**Note:**

The anti-slip plate absorbs vibrations and prevents slipping. The loading indicated in the table is a recommendation up to which permanent static load the swivel foot can be used.

For the inch series, dimension D1 is in inches, all other dimensions are in mm.

**KIPP Swivel Feet, inch**

Item No. Style A	Item No. Style B	D	D1	H	H2	T	SW	Load rating max. kN
K0395.1A2	K0395.3A2	20	1/4-20	15	2,5	8,5	10	10
K0395.1A3	K0395.3A3	25	5/16-18	18	4	9	13	18
K0395.1A4	K0395.3A4	32	3/8-16	22	5	10	17	20
K0395.1A5	K0395.3A5	40	1/2-13	26	6	12	19	35
K0395.1A6	K0395.3A6	50	5/8-11	32	7	14	24	45
K0395.1A7	K0395.3A7	60	3/4-10	42	8	18	30	55



## KIPP Swivel Feet, inch

Item No. Style C	Item No. Style D	D	D1	H	H2	T	SW	Load rating max. kN
K0395.5A2	K0395.2A2	20	1/4-20	15	2,5	8,5	10	4
K0395.5A3	K0395.2A3	25	5/16-18	18	4	9	13	7
K0395.5A4	K0395.2A4	32	3/8-16	22	5	10	17	10
K0395.5A5	K0395.2A5	40	1/2-13	26	6	12	19	18
K0395.5A6	K0395.2A6	50	5/8-11	32	7	14	24	20
K0395.5A7	K0395.2A7	60	3/4-10	42	8	18	30	22

## KIPP Swivel Feet, inch

Item No. Style G	D	D1	H	H2	T	SW	Load rating max. kN (static load only)
K0395.4A4	32	3/8-16	25	5	10	17	12
K0395.4A5	40	1/2-13	29	6	12	19	17
K0395.4A6	50	5/8-11	35	7	14	24	20
K0395.4A7	60	3/4-10	45	8	18	30	24

## KIPP Swivel Feet, metric

Item No. Style A	Item No. Style B	D	D1	H	H2	T	SW	Load rating max. kN
K0395.106	K0395.306	20	M6	15	2,5	8,5	10	10
K0395.108	K0395.308	25	M8	18	4	9	13	18
K0395.110	K0395.310	32	M10	22	5	10	17	20
K0395.112	K0395.312	40	M12	26	6	12	19	35
K0395.116	K0395.316	50	M16	32	7	14	24	45
K0395.120	K0395.320	60	M20	42	8	18	30	55

## KIPP Swivel Feet, metric

Item No. Style C	Item No. Style D	D	D1	H	H2	T	SW	Load rating max. kN
K0395.506	K0395.206	20	M6	15	2,5	8,5	10	4
K0395.508	K0395.208	25	M8	18	4	9	13	7
K0395.510	K0395.210	32	M10	22	5	10	17	10
K0395.512	K0395.212	40	M12	26	6	12	19	18
K0395.516	K0395.216	50	M16	32	7	14	24	20
K0395.520	K0395.220	60	M20	42	8	18	30	22

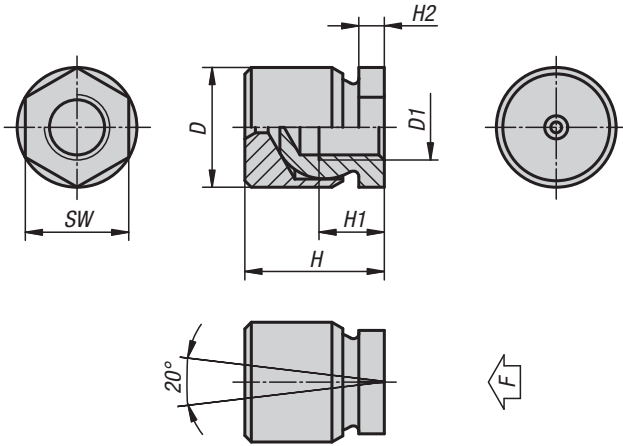
## KIPP Swivel Feet, metric

Item No. Style G	D	D1	H	H2	T	SW	Load rating max. kN (static load only)
K0395.410	32	M10	25	5	10	17	12
K0395.412	40	M12	29	6	12	19	17
K0395.416	50	M16	35	7	14	24	20
K0395.420	60	M20	45	8	18	30	24

## Swivel Pads



INCH Parts    METRIC Parts



**Material:**

Ball element case-hardened steel.  
Thrust pad ETG 100 steel.

**Type:**

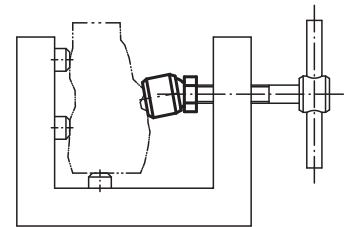
Black oxide finish.

**Part Number Example:**

K0304.A1

**Note:**

For the inch series, dimension D1 is in inches, all other dimensions are in mm.



### KIPP Swivel Pads, inch

Item No.	D	D1	H	H1	H2	SW	Load rating max. kN
K0304.A1	13	10-32	16,5	6,5	4	10	1,62
K0304.A2	13	1/4-20	16,5	8,5	4	10	2,33
K0304.A3	16	5/16-18	21	9	4	13	4,15
K0304.A4	19	3/8-16	23	10	4	17	6,48
K0304.A5	22	1/2-13	25,5	12	4,7	19	8,32
K0304.A6	25	5/8-11	29,5	14	5	24	13,94
K0304.A7	32	3/4-10	36	18	8,5	30	21

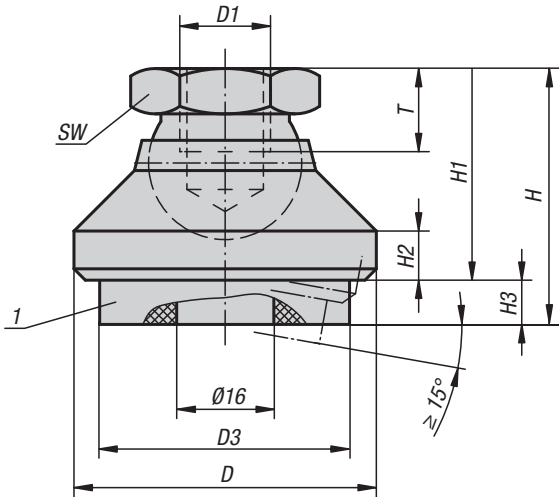
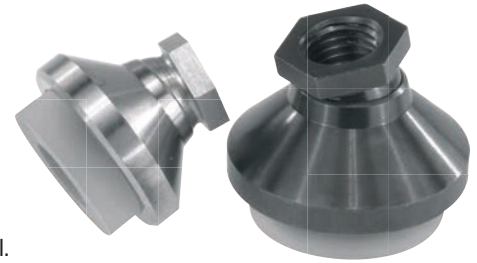
### KIPP Swivel Pads, metric

Item No.	D	D1	H	H1	H2	SW	Load rating max. kN
K0304.05	13	M5	16,5	6,5	4	10	1,62
K0304.06	13	M6	16,5	8,5	4	10	2,33
K0304.08	16	M8	21	9	4	13	4,15
K0304.10	19	M10	23	10	4	17	6,48
K0304.12	22	M12	25,5	12	4,7	19	8,32
K0304.16	25	M16	29,5	14	5	24	13,94
K0304.20	32	M20	36	18	8,5	30	21

## Swivel Feet

with vibration absorption

INCH Parts    METRIC Parts



**Material:**

Steel version:  
Foot high carbon steel.  
Ball element free-cutting steel.

Stainless steel version:  
Foot and ball element stainless steel.

Damper plate PUR elastomer (Sylomer V12).

**Type:**

Steel version:  
Foot black oxide finish.  
Ball element case-hardened with black oxide finish.

Stainless steel version:  
Bright.

Anti-slip damper plate gray, glued in.  
Temp. range -30 °C to +70 °C

**Part Number Example:**

K0420.1A4

**Note:**

The load rating given in the table is a recommendation of the permanent static load up to which the damping element should be used. This static load corresponds to a surface pressure of 0.4 N/mm<sup>2</sup> at which the material achieves its optimum absorption properties. It is taken into account that under dynamic loading an additional load of up to 0.6 N/mm<sup>2</sup> may occur. The damper plate absorbs vibrations and prevents slipping.

See K0395 for Swivel Feet without vibration absorption.

For the inch series, dimension D1 is in inches, all other dimensions are in mm.

**Drawing reference:**

1) damper plate

**KIPP Swivel Feet with vibration absorption, inch**

Item No. steel	Item No. stainless steel	D	D1	D3	H	H1	H2	H3 (under pressure of 0 / 0.4 / 0.6 N/mm <sup>2</sup> )	T	SW	Load rating N (by 0.4 N/mm <sup>2</sup> )
K0420.1A4	K0420.3A4	32	3/8-16	30,5	30	22	5	8 / 6.8 / 5.9	10	17	0,212
K0420.1A5	K0420.3A5	40	1/2-13	30,5	34	26	6	8 / 6.8 / 5.9	12	19	0,212
K0420.1A6	K0420.3A6	50	5/8-11	40,5	40	32	7	8 / 6.8 / 5.9	14	24	0,435
K0420.1A7	K0420.3A7	60	3/4-10	50	50	42	8	8 / 6.8 / 5.9	18	30	0,705

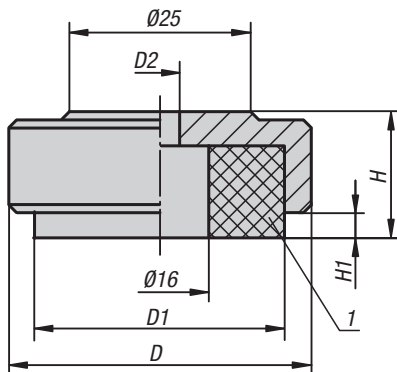
**KIPP Swivel Feet with vibration absorption, metric**

Item No. steel	Item No. stainless steel	D	D1	D3	H	H1	H2	H3 (under pressure of 0 / 0.4 / 0.6 N/mm <sup>2</sup> )	T	SW	Load rating N (by 0.4 N/mm <sup>2</sup> )
K0420.110	K0420.310	32	M10	30,5	30	22	5	8 / 6.8 / 5.9	10	17	0,212
K0420.112	K0420.312	40	M12	30,5	34	26	6	8 / 6.8 / 5.9	12	19	0,212
K0420.116	K0420.316	50	M16	40,5	40	32	7	8 / 6.8 / 5.9	14	24	0,435
K0420.120	K0420.320	60	M20	50	50	42	8	8 / 6.8 / 5.9	18	30	0,705

# Machine Feet

with vibration absorption

METRIC  
Parts



**Material:**

Plate steel,  
damper plate PUR elastomer (Sylomer V12)

**Type:**

Plate trivalent blue passivated.  
Anti-slip damper plate gray, glued-in.  
Temp. range -30 °C to +70 °C

**Part Number Example:**

K0670.046

**Note:**

The load capacity given in the table is a recommendation of the **permanent static** load up to which the damper plate should be used.

This static load corresponds to a surface pressure of 0.4 N/mm<sup>2</sup>, at which the material reaches its optimum absorption properties. Here it is taken into account that under dynamic loading an additional load, up to 0.6 N/mm<sup>2</sup> may occur.

The damper plate absorbs vibrations and prevents slipping.

**Drawing reference:**

1) damper plate

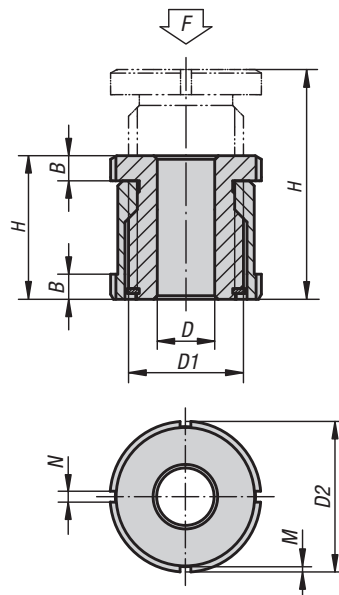
## KIPP Machine Feet with vibration absorption, metric

Item No.	Main material	D	D1	D2	H	H1 by 0 / 0.4 / 0.6 N/mm <sup>2</sup>	Load rating max. kN
K0670.036	steel	36	30,5	5,5	15	4 / 2,8 / 1,9	0,212
K0670.046	steel	46	40,5	6,6	17	4 / 2,8 / 1,9	0,435
K0670.056	steel	56	50	9	19	4 / 2,8 / 1,9	0,705
K0670.074	steel	74	68	9	21	4 / 2,8 / 1,9	1,372

## Leveling Sets



METRIC  
Parts



### KIPP Leveling Sets, metric

Item No.	Main material	D	for screw	D1	D2	H min.	H max.	B	N	M	F kN
K0692.01504	carbon steel	4,5	M4	M15x1	25	28	43	5	4	2	40
K0692.01505	carbon steel	5,5	M5	M15x1	25	28	43	5	4	2	40
K0692.01506	carbon steel	6,6	M6	M15x1	25	28	43	5	4	2	40
K0692.02006	carbon steel	6,6	M6	M20x1	32	35	55	6	4	2	65
K0692.02008	carbon steel	9	M8	M20x1	32	35	55	6	4	2	65
K0692.02010	carbon steel	11	M10	M20x1	32	35	55	6	4	2	65
K0692.02510	carbon steel	11	M10	M30x1,5	45	42	67	7	5	2	120
K0692.02512	carbon steel	13,5	M12	M30x1,5	45	42	67	7	5	2	120
K0692.02516	carbon steel	17,5	M16	M30x1,5	45	42	67	7	5	2	120
K0692.03216	carbon steel	17,5	M16	M40x1,5	58	54	86	9	6	2,5	210
K0692.03220	carbon steel	22	M20	M40x1,5	58	54	86	9	6	2,5	210
K0692.03224	carbon steel	26	M24	M40x1,5	58	54	86	9	6	2,5	210
K0692.04020	carbon steel	22	M20	M50x1,5	70	66	106	11	6	2,5	330
K0692.04024	carbon steel	26	M24	M50x1,5	70	66	106	11	6	2,5	330
K0692.04030	carbon steel	33	M30	M50x1,5	70	66	106	11	6	2,5	330
K0692.015041	stainless steel	4,5	M4	M15x1	25	28	43	5	4	2	27,1
K0692.015051	stainless steel	5,5	M5	M15x1	25	28	43	5	4	2	27,1
K0692.015061	stainless steel	6,6	M6	M15x1	25	28	43	5	4	2	27,1
K0692.020061	stainless steel	6,6	M6	M20x1	32	35	55	6	4	2	43,4
K0692.020081	stainless steel	9	M8	M20x1	32	35	55	6	4	2	43,4
K0692.020101	stainless steel	11	M10	M20x1	32	35	55	6	4	2	43,4
K0692.025101	stainless steel	11	M10	M30x1,5	45	42	67	7	5	2	84
K0692.025121	stainless steel	13,5	M12	M30x1,5	45	42	67	7	5	2	84
K0692.025161	stainless steel	17,5	M16	M30x1,5	45	42	67	7	5	2	84
K0692.032161	stainless steel	17,5	M16	M40x1,5	58	54	86	9	6	2,5	148
K0692.032201	stainless steel	22	M20	M40x1,5	58	54	86	9	6	2,5	148
K0692.032241	stainless steel	26	M24	M40x1,5	58	54	86	9	6	2,5	148
K0692.040201	stainless steel	22	M20	M50x1,5	70	66	106	11	6	2,5	225
K0692.040241	stainless steel	26	M24	M50x1,5	70	66	106	11	6	2,5	225
K0692.040301	stainless steel	33	M30	M50x1,5	70	66	106	11	6	2,5	225

#### Material:

Steel 1.7225.

Stainless steel 1.4305 (AISI 303 equivalent).

#### Type:

Steel version trivalent blue passivated.

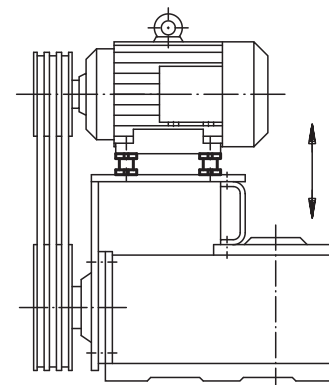
Stainless steel version bright.

#### Part Number Example:

K0692.01505

#### Note:

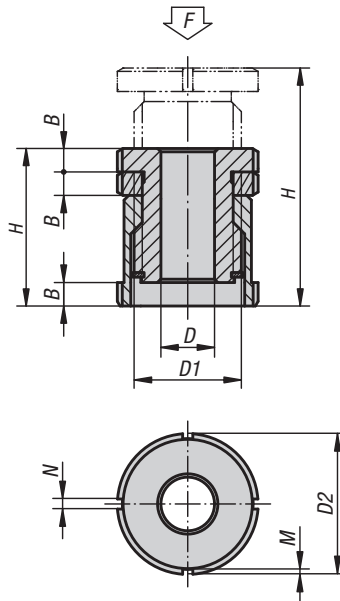
Leveling sets are used for mounting, leveling and aligning motors, assemblies, drive units and assembly lines. They have a large adjustment range of 15 mm to 40 mm. Other sizes available on request.



## Leveling Sets

with Locking Nuts

METRIC  
Parts



### KIPP Leveling Sets with locking nuts, metric

Item No.	Main material	D	for screw	D1	D2	H min.	H max.	B	N	M	F kN
K0693.01004	carbon steel	4,5	M4	M15x1	25	33	43	5	4	2	40
K0693.01005	carbon steel	5,5	M5	M15x1	25	33	43	5	4	2	40
K0693.01006	carbon steel	6,6	M6	M15x1	25	33	43	5	4	2	40
K0693.01406	carbon steel	6,6	M6	M20x1	32	41	55	6	4	2	65
K0693.01408	carbon steel	9	M8	M20x1	32	41	55	6	4	2	65
K0693.01410	carbon steel	11	M10	M20x1	32	41	55	6	4	2	65
K0693.01810	carbon steel	11	M10	M30x1,5	45	49	67	7	5	2	120
K0693.01812	carbon steel	13,5	M12	M30x1,5	45	49	67	7	5	2	120
K0693.01816	carbon steel	17,5	M16	M30x1,5	45	49	67	7	5	2	120
K0693.02316	carbon steel	17,5	M16	M40x1,5	58	63	86	9	6	2,5	210
K0693.02320	carbon steel	22	M20	M40x1,5	58	63	86	9	6	2,5	210
K0693.02324	carbon steel	26	M24	M40x1,5	58	63	86	9	6	2,5	210
K0693.02920	carbon steel	22	M20	M50x1,5	70	77	106	11	6	2,5	330
K0693.02924	carbon steel	26	M24	M50x1,5	70	77	106	11	6	2,5	330
K0693.02930	carbon steel	33	M30	M50x1,5	70	77	106	11	6	2,5	330
K0693.010041	stainless steel	4,5	M4	M15x1	25	33	43	5	4	2	27,1
K0693.010051	stainless steel	5,5	M5	M15x1	25	33	43	5	4	2	27,1
K0693.010061	stainless steel	6,6	M6	M15x1	25	33	43	5	4	2	27,1
K0693.014061	stainless steel	6,6	M6	M20x1	32	41	55	6	4	2	43,4
K0693.014081	stainless steel	9	M8	M20x1	32	41	55	6	4	2	43,4
K0693.014101	stainless steel	11	M10	M20x1	32	41	55	6	4	2	43,4
K0693.018101	stainless steel	11	M10	M30x1,5	45	49	67	7	5	2	84
K0693.018121	stainless steel	13,5	M12	M30x1,5	45	49	67	7	5	2	84
K0693.018161	stainless steel	17,5	M16	M30x1,5	45	49	67	7	5	2	84
K0693.023161	stainless steel	17,5	M16	M40x1,5	58	63	86	9	6	2,5	148
K0693.023201	stainless steel	22	M20	M40x1,5	58	63	86	9	6	2,5	148
K0693.023241	stainless steel	26	M24	M40x1,5	58	63	86	9	6	2,5	148
K0693.029201	stainless steel	22	M20	M50x1,5	70	77	106	11	6	2,5	225
K0693.029241	stainless steel	26	M24	M50x1,5	70	77	106	11	6	2,5	225
K0693.029301	stainless steel	33	M30	M50x1,5	70	77	106	11	6	2,5	225

**Material:**

Steel 1.7225.

Stainless steel 1.4305 (AISI 303 equivalent).

**Type:**

Steel version trivalent blue passivated.

Stainless steel version bright.

**Part Number Example:**

K0693.01004

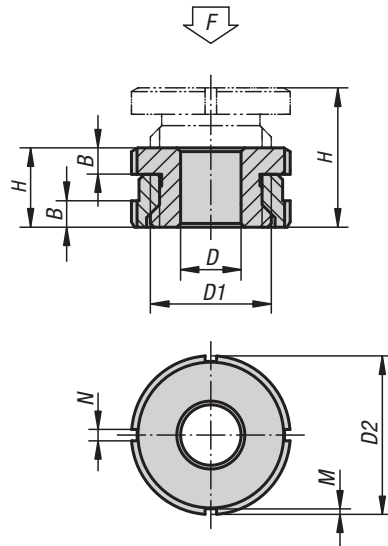
**Note:**

Leveling sets are used for mounting, leveling and aligning motors, assemblies, drive units and assembly lines. The locking nut locks the set height. Other sizes available on request.

## Leveling Sets

Low Version

METRIC  
Parts



### KIPP Leveling Sets, low version

Item No.	Main material	D	for screw	D1	D2	H min.	H max.	B	N	M	F kN
K0694.0404	carbon steel	4,5	M4	M15x1	25	15	19	5	4	2	40
K0694.0405	carbon steel	5,5	M5	M15x1	25	15	19	5	4	2	40
K0694.0406	carbon steel	6,6	M6	M15x1	25	15	19	5	4	2	40
K0694.0506	carbon steel	6,6	M6	M20x1	32	18	23	6	4	2	65
K0694.0508	carbon steel	9	M8	M20x1	32	18	23	6	4	2	65
K0694.0510	carbon steel	11	M10	M20x1	32	18	23	6	4	2	65
K0694.0710	carbon steel	11	M10	M30x1,5	45	22	29	7	5	2	120
K0694.0712	carbon steel	13,5	M12	M30x1,5	45	22	29	7	5	2	120
K0694.0716	carbon steel	17,5	M16	M30x1,5	45	22	29	7	5	2	120
K0694.0916	carbon steel	17,5	M16	M40x1,5	58	28	37	9	6	2,5	210
K0694.0920	carbon steel	22	M20	M40x1,5	58	28	37	9	6	2,5	210
K0694.0924	carbon steel	26	M24	M40x1,5	58	28	37	9	6	2,5	210
K0694.1020	carbon steel	22	M20	M50x1,5	70	33	43	11	6	2,5	330
K0694.1024	carbon steel	26	M24	M50x1,5	70	33	43	11	6	2,5	330
K0694.1030	carbon steel	33	M30	M50x1,5	70	33	43	11	6	2,5	330
K0694.04041	stainless steel	4,5	M4	M15x1	25	15	19	5	4	2	27,1
K0694.04051	stainless steel	5,5	M5	M15x1	25	15	19	5	4	2	27,1
K0694.04061	stainless steel	6,6	M6	M15x1	25	15	19	5	4	2	27,1
K0694.05061	stainless steel	6,6	M6	M20x1	32	18	23	6	4	2	43,4
K0694.05081	stainless steel	9	M8	M20x1	32	18	23	6	4	2	43,4
K0694.05101	stainless steel	11	M10	M20x1	32	18	23	6	4	2	43,4
K0694.07101	stainless steel	11	M10	M30x1,5	45	22	29	7	5	2	84
K0694.07121	stainless steel	13,5	M12	M30x1,5	45	22	29	7	5	2	84
K0694.07161	stainless steel	17,5	M16	M30x1,5	45	22	29	7	5	2	84
K0694.09161	stainless steel	17,5	M16	M40x1,5	58	28	37	9	6	2,5	148
K0694.09201	stainless steel	22	M20	M40x1,5	58	28	37	9	6	2,5	148
K0694.09241	stainless steel	26	M24	M40x1,5	58	28	37	9	6	2,5	148
K0694.10201	stainless steel	22	M20	M50x1,5	70	33	43	11	6	2,5	225
K0694.10241	stainless steel	26	M24	M50x1,5	70	33	43	11	6	2,5	225
K0694.10301	stainless steel	33	M30	M50x1,5	70	33	43	11	6	2,5	225

**Material:**

Steel 1.7225.

Stainless steel 1.4305 (AISI 303 equivalent).

**Type:**

Steel version trivalent blue passivated.

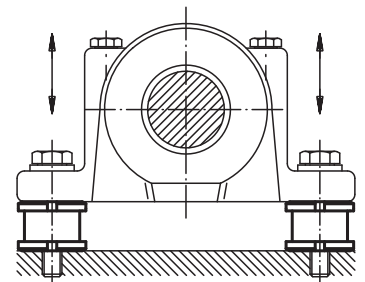
Stainless steel version bright.

**Part Number Example:**

K0694.0404

**Note:**

Leveling sets are used for mounting, leveling and aligning motors, assemblies, drive units and assembly lines. These leveling sets have an extremely low height. Single leveling sets can be set at several mounting points to achieve a precise and torsion-free alignment.



## Leveling Sets Spherical Washer

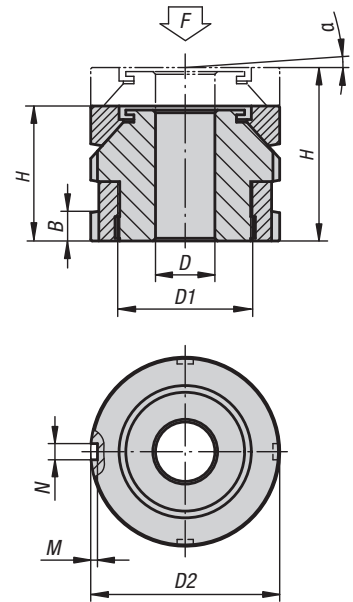


METRIC  
Parts



### KIPP Leveling Sets with spherical washer, metric

Item No.	Main material	D	for screw	D1	D2	H min.	H max.	B	N	M	$\alpha$	F kN
K0695.0406	carbon steel	6,6	M6	M15x1	25	22	26	5	4	2	4°	40
K0695.0506	carbon steel	6,6	M6	M20x1	32	26	31	6	4	2	4°	65
K0695.0508	carbon steel	9	M8	M20x1	32	26	31	6	4	2	4°	65
K0695.0510	carbon steel	11	M10	M20x1	32	26	31	6	4	2	4°	65
K0695.0710	carbon steel	11	M10	M30x1,5	45	34	41	7	5	2	4°	120
K0695.0712	carbon steel	13,5	M12	M30x1,5	45	34	41	7	5	2	4°	120
K0695.0716	carbon steel	17,5	M16	M30x1,5	45	34	41	7	5	2	4°	120
K0695.0916	carbon steel	17,5	M16	M40x1,5	58	44	53	9	6	2,5	4°	210
K0695.0920	carbon steel	22	M20	M40x1,5	58	44	53	9	6	2,5	4°	210
K0695.0924	carbon steel	26	M24	M40x1,5	58	44	53	9	6	2,5	4°	210
K0695.1020	carbon steel	22	M20	M50x1,5	70	50	60	11	6	2,5	4°	330
K0695.1024	carbon steel	26	M24	M50x1,5	70	50	60	11	6	2,5	4°	330
K0695.1030	carbon steel	33	M30	M50x1,5	70	50	60	11	6	2,5	4°	330
K0695.1224	carbon steel	26	M24	M60x2	80	56	68	11	7	3	4°	495
K0695.1230	carbon steel	33	M30	M60x2	80	56	68	11	7	3	4°	495
K0695.04061	stainless steel	6,6	M6	M15x1	25	22	26	5	4	2	4°	27,1
K0695.05061	stainless steel	6,6	M6	M20x1	32	26	31	6	4	2	4°	43,4
K0695.05081	stainless steel	9	M8	M20x1	32	26	31	6	4	2	4°	43,4
K0695.05101	stainless steel	11	M10	M20x1	32	26	31	6	4	2	4°	43,4
K0695.07101	stainless steel	11	M10	M30x1,5	45	34	41	7	5	2	4°	84
K0695.07121	stainless steel	13,5	M12	M30x1,5	45	34	41	7	5	2	4°	84
K0695.07161	stainless steel	17,5	M16	M30x1,5	45	34	41	7	5	2	4°	84
K0695.09161	stainless steel	17,5	M16	M40x1,5	58	44	53	9	6	2,5	4°	148
K0695.09201	stainless steel	22	M20	M40x1,5	58	44	53	9	6	2,5	4°	148
K0695.09241	stainless steel	26	M24	M40x1,5	58	44	53	9	6	2,5	4°	148
K0695.10201	stainless steel	22	M20	M50x1,5	70	50	60	11	6	2,5	4°	225
K0695.10241	stainless steel	26	M24	M50x1,5	70	50	60	11	6	2,5	4°	225
K0695.10301	stainless steel	33	M30	M50x1,5	70	50	60	11	6	2,5	4°	225
K0695.12241	stainless steel	26	M24	M60x2	80	56	68	11	7	3	4°	323
K0695.12301	stainless steel	33	M30	M60x2	80	56	68	11	7	3	4°	323



**Material:**

Steel 1.7225.

Stainless steel 1.4305 (AISI 303 equivalent).

**Type:**

Steel version trivalent blue passivated.

Stainless steel version bright.

**Part Number Example:**

K0695.0406

**Note:**

Leveling Sets with spherical washers are used for mounting, leveling and aligning motors, assemblies, drive units and assembly lines. The spherical washer permits exact alignment when mounting inclined surfaces of up to 4°.

**Accessories:**

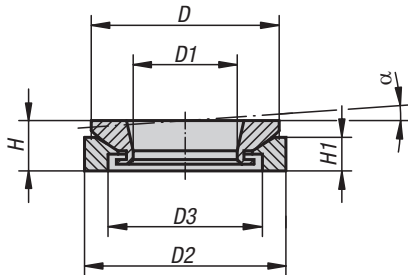
Spherical leveling washers K0691



## Spherical Leveling Washers



METRIC  
Parts



**Material:**

Steel 1.7225.

Stainless steel 1.4305 (AISI 303 equivalent).

**Type:**

Steel trivalent blue passivated.

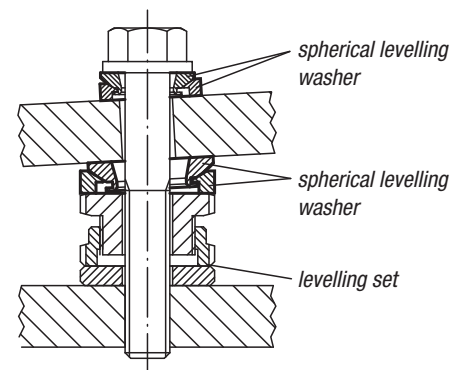
Stainless steel bright.

**Part Number Example:**

K0691.151

**Note:**

Spherical Leveling Washers are for exact positioning when mounting up to 4° inclined surfaces. A second Spherical Leveling Washer is recommended as support to correct the bolt angle if the angle of D3 is > 1°. The two halves of the washer cannot be detached from each other.



### KIPP Spherical Leveling Washers, metric

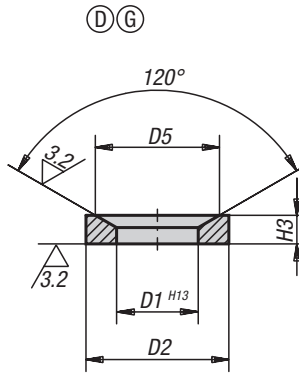
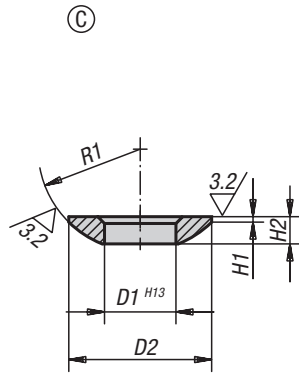
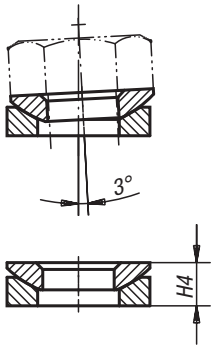
Item No. steel	Item No. stainless steel	H	H1	D	D1	D2	D3	α
K0691.151	K0691.152	8	5,5	23	8,5	25	15	4°
K0691.201	K0691.202	10	6,2	30	13	32	20	4°
K0691.301	K0691.302	12,5	9	40	20	45	30	4°
K0691.401	K0691.402	16	13	52	29	58	38	4°
K0691.501	K0691.502	20	14	65	36	70	48	4°

## Spherical washers

DIN 6319, edition 10/01

METRIC  
Parts

New Item



**Material:**

Mild steel or stainless steel.  
Style G high carbon steel tempered to HV 390 ±40.

**Type:**

Steel version case hardened.  
Stainless steel version bright, not hardened.

**Part Number Example:**

K0729.216

**Note:**

Conical seat style G (available on request) should be used over slots.

**Drawing reference:**

Style C: spherical washer  
Style D: conical seat  
Style G: conical seat for slots

## Spherical washers

DIN 6319, edition 10/01



## KIPP Spherical Washers Style C, DIN 6319, edition 10/01

Item No. mild steel	Item No. stainless steel	Style	D1	D2	H1	H2	R1	D4=for screw Ø	Load rating max. kN (static load only)
K0729.105	-	C	5,25	10,5	0,4	2	7,5	5	6,5
K0729.106	K0729.0106	C	6,4	12	0,7	2,3	9	6	9/6
K0729.108	K0729.0108	C	8,4	17	0,6	3,2	12	8	17/12
K0729.110	K0729.0110	C	10,5	21	0,8	4	15	10	26/16
K0729.112	K0729.0112	C	13	24	1,1	4,6	17	12	38/24
K0729.114	-	C	15	28	1,2	5	22	14	53
K0729.116	K0729.0116	C	17	30	1,3	5,3	22	16	73/45
K0729.120	K0729.0120	C	21	36	2	6,3	27	20	117/71
K0729.124	K0729.0124	C	25	44	2,4	8,2	32	24	168/105
K0729.130	K0729.0130	C	31	56	3,6	11,2	41	30	269/191
K0729.136	K0729.0136	C	37	68	4,6	14	50	36	394/-
K0729.142	K0729.0142	C	43	78	6,5	17	58	42	-
K0729.148	K0729.0148	C	50	92	8	21	67	48	714/-
K0729.156	-	C	58	103	9,5	23	79	56	960
K0729.164	-	C	66	120	12	27	93	64	1269

## KIPP Conical Seats Style D, DIN 6319, edition 10/01

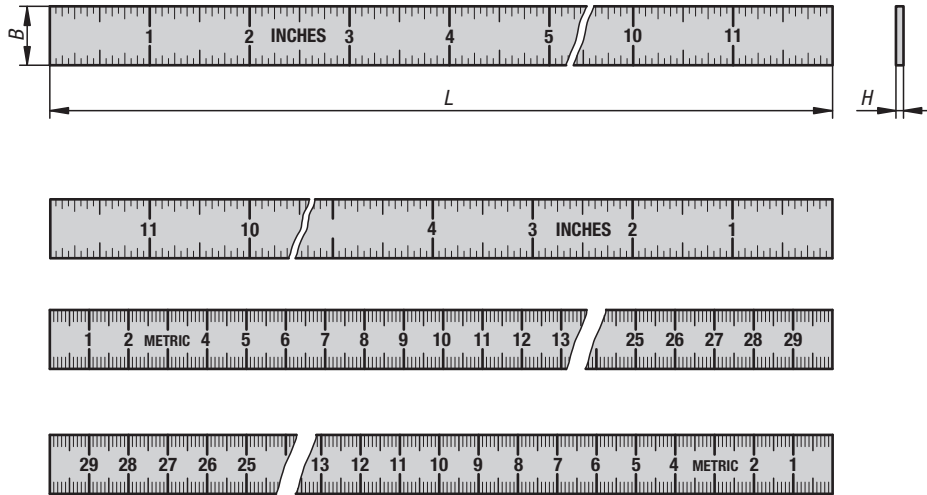
Item No. mild steel	Item No. stainless steel	Style	D1	D2	D5	H3	H4 with conical seat	D4=for screw Ø	Load rating max. kN (static load only)
K0729.205	-	D	6	10,5	9,25	2,1	3,1	5	6,5
K0729.206	K0729.0206	D	7,1	12	11	2,8	4	6	9/6
K0729.208	K0729.0208	D	9,6	17	14,5	3,5	5,6	8	17/12
K0729.210	K0729.0210	D	12	21	18,5	4,2	6,3	10	26/16
K0729.212	K0729.0212	D	14,2	24	20	5	8	12	38/24
K0729.214	-	D	16,5	28	24,8	5,6	-	-	53
K0729.216	K0729.0216	D	19	30	26	6,2	9,3	16	73/45
K0729.220	K0729.0220	D	23,2	36	31	7,5	11,6	20	117/71
K0729.224	K0729.0224	D	28	44	37	9,5	15	24	168/105
K0729.230	K0729.0230	D	35	56	49	12	18,9	30	269/191
K0729.236	K0729.0236	D	42	68	60	15	23,3	36	394/-
K0729.242	K0729.0242	D	49	78	70	18	28,3	42	-
K0729.248	K0729.0248	D	56	92	82	22	35,2	48	714/-
K0729.256	-	D	65	103	92	25	39,7	56	960
K0729.264	-	D	75	120	110	30	46,5	64	1269

## Rules Stainless Steel



INCH Parts  
METRIC Parts

Horizontal mounting



**Material:**

Stainless steel 1.4310 (AISI 310 equivalent).

**Type:**

Bright.

**Part Number Example:**

K0759.0002L01XA02.005

**Note:**

Rigid design stainless steel rules with self-adhesive back.

Cross section 15 x 1 mm.

Matte surface and black high contrast graduations.

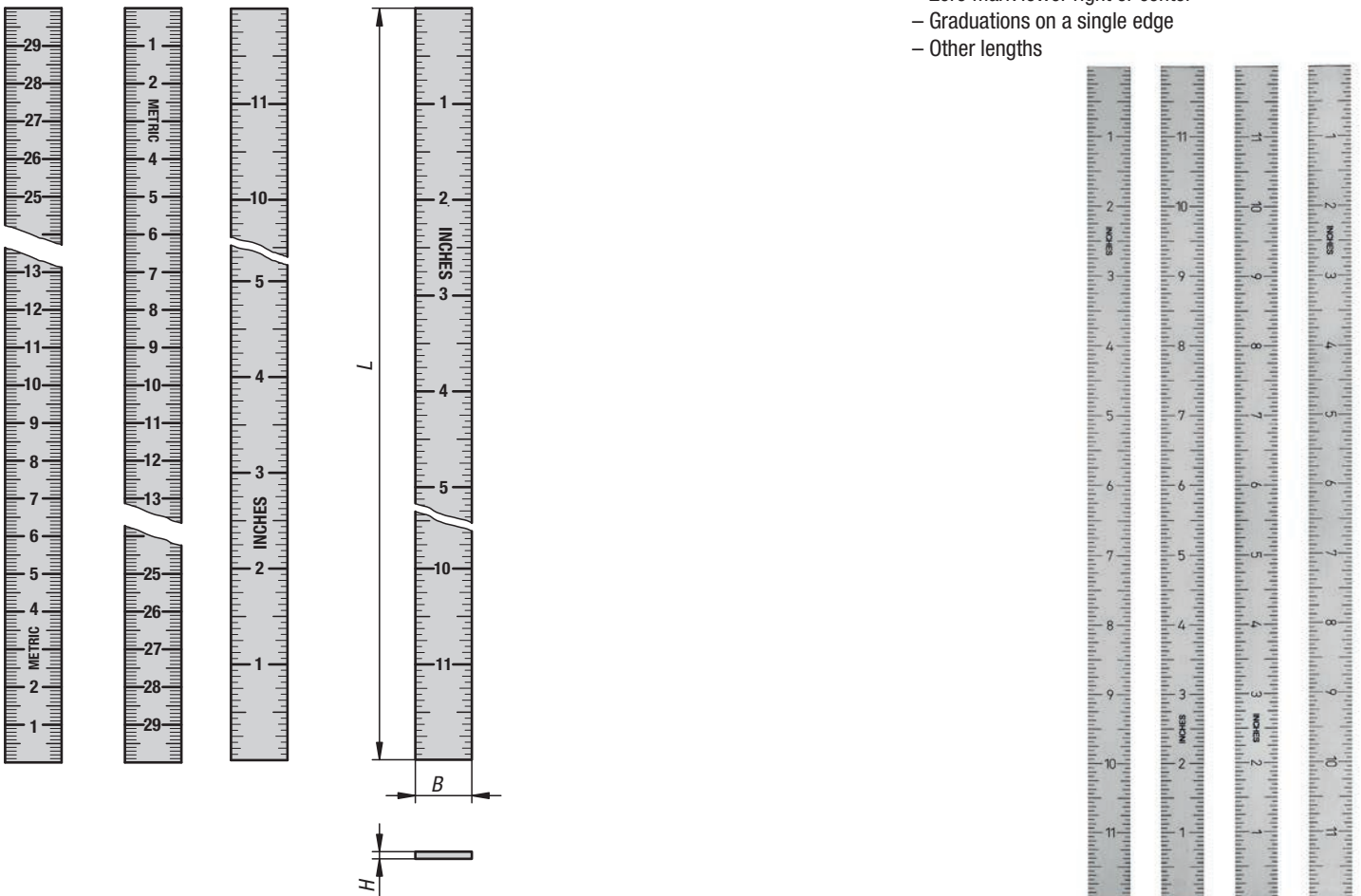
The graduations are deep lasered.

For the inch series, dimension L is in inches, all other dimensions are in mm.

**On request:**

- Zero mark lower right or center
- Graduations on a single edge
- Other lengths

Vertical mounting



## KIPP Rules Stainless steel, inch

Item No.	Main material	Assembly position	Zero point	B	H	L
K0759.0002L01XL76.005	stainless steel	horizontal	left	15	1	12"
K0759.0002L01XA01.005	stainless steel	horizontal	left	15	1	20"
K0759.0002L01XA02.005	stainless steel	horizontal	left	15	1	28"
K0759.0002L01XA03.005	stainless steel	horizontal	left	15	1	40"
K0759.0102L01XL76.005	stainless steel	vertical	top	15	1	12"
K0759.0102L01XA01.005	stainless steel	vertical	top	15	1	20"
K0759.0102L01XA02.005	stainless steel	vertical	top	15	1	28"
K0759.0102L01XA03.005	stainless steel	vertical	top	15	1	40"
K0759.0022L01XL76.005	stainless steel	horizontal	right	15	1	12"
K0759.0022L01XA01.005	stainless steel	horizontal	right	15	1	20"
K0759.0022L01XA02.005	stainless steel	horizontal	right	15	1	28"
K0759.0022L01XA03.005	stainless steel	horizontal	right	15	1	40"
K0759.0122L01XL76.005	stainless steel	vertical	bottom	15	1	12"
K0759.0122L01XA01.005	stainless steel	vertical	bottom	15	1	20"
K0759.0122L01XA02.005	stainless steel	vertical	bottom	15	1	28"
K0759.0122L01XA03.005	stainless steel	vertical	bottom	15	1	40"

## KIPP Rules Stainless steel, metric

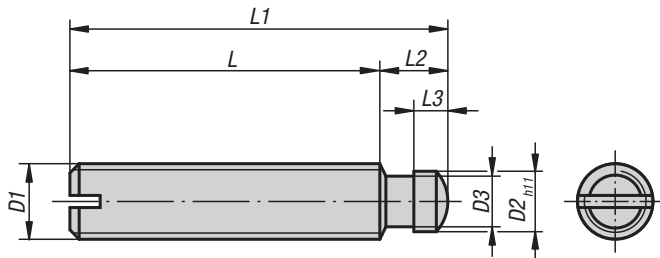
Item No.	Main material	Assembly position	Zero point	B	H	L
K0759.000210X0300.005	stainless steel	horizontal	left	15	1	300
K0759.000210X0500.005	stainless steel	horizontal	left	15	1	500
K0759.000210X0700.005	stainless steel	horizontal	left	15	1	700
K0759.000210X1000.005	stainless steel	horizontal	left	15	1	1000
K0759.010210X0300.005	stainless steel	vertical	top	15	1	300
K0759.010210X0500.005	stainless steel	vertical	top	15	1	500
K0759.010210X0700.005	stainless steel	vertical	top	15	1	700
K0759.010210X1000.005	stainless steel	vertical	top	15	1	1000
K0759.002210X0300.005	stainless steel	horizontal	right	15	1	300
K0759.002210X0500.005	stainless steel	horizontal	right	15	1	500
K0759.002210X0700.005	stainless steel	horizontal	right	15	1	700
K0759.002210X1000.005	stainless steel	horizontal	right	15	1	1000
K0759.012210X0300.005	stainless steel	vertical	bottom	15	1	300
K0759.012210X0500.005	stainless steel	vertical	bottom	15	1	500
K0759.012210X0700.005	stainless steel	vertical	bottom	15	1	700
K0759.012210X1000.005	stainless steel	vertical	bottom	15	1	1000

## Grub Screws

with thrust point, DIN 6332



METRIC  
Parts



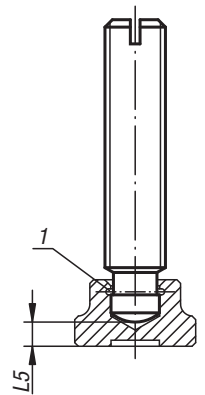
**Material:**  
Steel or stainless steel.

**Type:**  
Steel, thrust point case-hardened, black.  
Stainless steel, bright.

**Part Number Example:**  
K0390.12X60  
(include length L1)

**Note:**  
The thrust point of the DIN 6332 Grub Screws can be used for direct clamping or in conjunction with the Thrust Pads K0392.

**Drawing reference:**  
1) snap ring



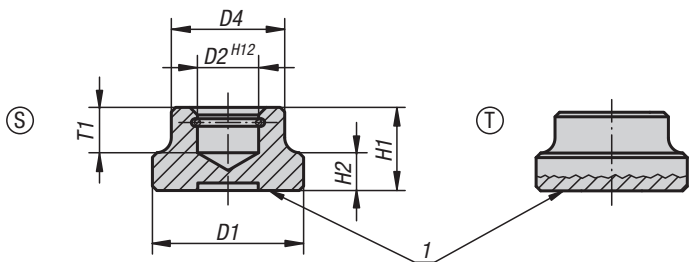
### KIPP Grub Screws with thrust point, DIN 6332, metric

Item No. steel	Item No. stainless steel	D1	L1	D2	D3	L	L2	L3	L5
K0390.06X	K0390.061X	M6	30/35/40/50	4,5	4	24	6	2,5	2,2
K0390.08X	K0390.081X	M8	35/40/45/50/60	6	5,4	27,5	7,5	3	3
K0390.10X	K0390.101X	M10	50/55/60/65/80	8	7,2	41	9	4,5	3,6
K0390.12X	K0390.121X	M12	60/65/70/80/100	8	7,2	50	10	4,5	4,5
K0390.14X	K0390.141X	M14	60/80/100	10	9	48	12	5	5
K0390.16X	K0390.161X	M16	65/70/80/100/125	12	11	53	12	5	5,3
K0390.20X	K0390.201X	M20	80/90/100/125/150	15,5	14,4	66	14	5,5	5,6

## Thrust Pads

DIN 6311 expanded

METRIC  
Parts



**Material:**

Case-hardened steel.  
Snap ring steel spring wire.

**Type:**

Black oxide finish.

**Part Number Example:**

K0392.12

**Note:**

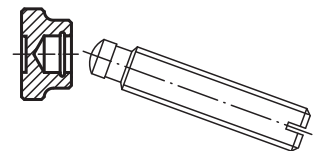
To press onto a thrust point, incline the point as far as possible over the snap ring opening and twist in. The snap ring is supplied assembled.

**Drawing reference:**

Style S: standard thrust pad

Style T: low version, large thrust face

1) thrust face



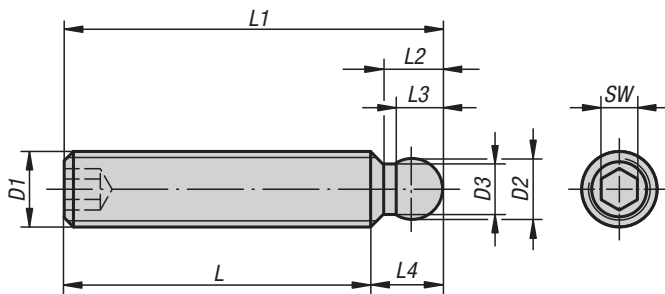
### KIPP Thrust Pads DIN 6311 expanded, metric

Item No.	Style	D1	D2	D4	H1	H2	T1	For grub screws with thrust point DIN 6332
K0392.06	S	12	4,6	10	7	2,5	4	M6
K0392.08	S	16	6,1	12	9	4	5	M8
K0392.10	S	20	8,1	15	11	5	6	M10
K0392.12	S	25	8,1	18	13	7	7	M12
K0392.16	S	32	12,1	22	15	7	7,5	M16
K0392.20	S	40	15,6	28	16	9	8	M20
K0392.108	T	25	6,1	12	8	4	4,5	M8
K0392.110	T	32	8,1	18	10	6	6	M10 / M12
K0392.116	T	40	12,1	22	12	7	7	M16

## Grub Screws

with ball thrust point

METRIC  
Parts

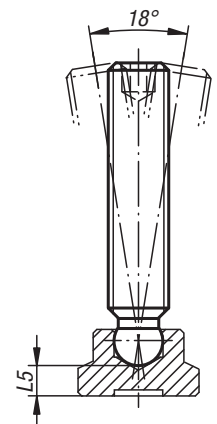


**Material:**  
Steel quality class 5.8.

**Type:**  
Black oxide finish.

**Part Number Example:**  
K0391.06X50  
(include length L1)

**Note:**  
These Grub Screws are used in conjunction  
with Thrust Pads K0393.



### KIPP Grub Screws with ball thrust point, metric

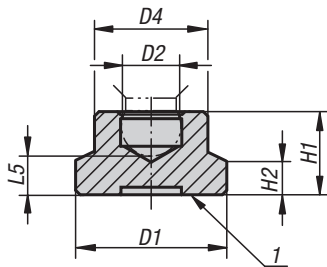
Item No.	D1	L1	D2	D3	L	L2	L3	L4	L5	SW
K0391.06X	M6	30/35/40/50	4,5	3,5	24,5	4,3	3,7	5,5	3,8	3
K0391.08X	M8	35/40/45/50/60	6	4,8	27,6	5,8	4,8	7,4	4,4	4
K0391.10X	M10	50/55/60/65/80	8	6,5	41	7,2	6,3	9	5	5
K0391.12X	M12	60/65/70/80	8	6,5	50,2	7,2	6,3	9,8	6,9	6



## Thrust Pads



METRIC  
Parts



**Material:**

Steel.  
Polyamide PA 6.

**Type:**

Black oxide finish.  
Black polyamide.

**Part Number Example:**

K0393.08

**Drawing reference:**

1) thrust face



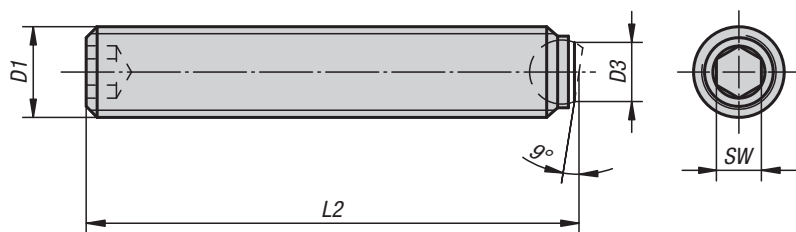
### KIPP Thrust Pads, metric

Item No.	Style	Main material	D1	D2	D4	H1	H2	L5	Suitable for Grub Screws
K0393.06	A	steel	15	4,4	8,6	7,6	2,5	3,8	M6
K0393.08	A	steel	18	5,9	12	9	3,5	4,4	M8
K0393.10	A	steel	21	7,9	15	11	4	5	M10
K0393.12	A	steel	25	7,9	18	13	5	6,9	M12
K0393.206	A	polyamide	15	4,4	8,6	7,6	2,5	3,8	M6
K0393.208	B	polyamide	18	5,9	12	9	3,5	4,4	M8
K0393.210	C	polyamide	21	7,9	15	11	4	5	M10
K0393.212	C	polyamide	25	7,9	18	13	5	6,9	M12

## Ball-end Thrust Screws

without head, with flattened ball

METRIC  
Parts



**Material:**

Screw high-carbon steel, quality class 10.9.  
Ball, ball-bearing steel.

**Type:**

Screw black.  
Ball hardened and bright.

**Part Number Example:**

K0383.20650

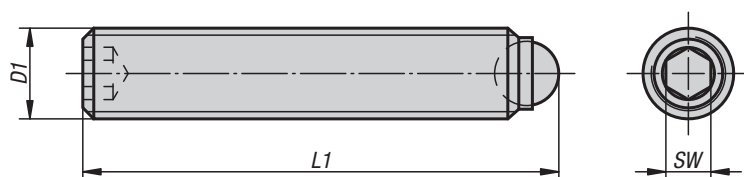
### KIPP Ball-end Thrust Screws without head, with flattened ball, metric

Item No.	D1	L2	D3	Ball Ø	SW	Load rating max. kN (static load only)
K0383.20650	M6	50,1	3	4	3	9
K0383.20660	M6	60,1	3	4	3	9
K0383.20850	M8	50,3	4,1	5,5	4	15
K0383.20860	M8	60,3	4,1	5,5	4	15
K0383.20880	M8	80,3	4,1	5,5	4	15

## Ball-end Thrust Screws

without head, with full ball

METRIC  
Parts



**Material:**

Screw high-carbon steel, quality class 10.9.  
Ball, ball-bearing steel.

**Type:**

Screw black.  
Ball hardened and bright.

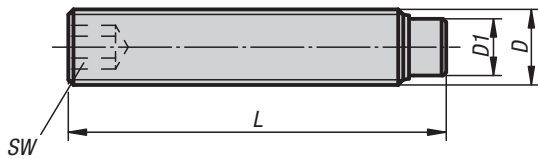
**Part Number Example:**

K0383.10650

### KIPP Ball-end Thrust Screws without head, with full ball, metric

Item No.	D1	L1	Ball Ø	SW	Load rating max. kN (static load only)
K0383.10650	M6	50,8	4	3	9
K0383.10660	M6	60,8	4	3	9
K0383.10850	M8	51,2	5,5	4	15
K0383.10860	M8	61,2	5,5	4	15
K0383.10880	M8	81,2	5,5	4	15

## Thrust Screws

METRIC  
Parts**Material:**

Screw steel quality class 10.9.  
Thrust pin brass or polyacetal.

**Type:**

Screw black oxide finish.

**Part Number Example:**

K0389.04X305  
(include length L)

**Note:**

The pin is pressed into the screw. Thrust Screws are particularly suitable for locking threaded spindles, axles, shafts and treated surfaces without marring.

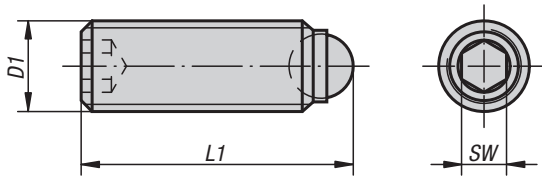
## KIPP Thrust Screws, metric

Item No. brass	D	D1	SW	L
K0389.04X	M4	2,5	2	30,5/40,5
K0389.05X	M5	3	2,5	30,5/40,5
K0389.06X	M6	4	3	41,5/51,5/61,5
K0389.08X	M8	5,5	4	52/62/82
K0389.10X	M10	7	5	52/62/82
K0389.12X	M12	8,5	6	52,5/62,5/82,5

Item No. polyacetal	D	D1	SW	L
K0389.104X	M4	2	2	31/41
K0389.105X	M5	3	2,5	31/41
K0389.106X	M6	3,5	3	41,3/51,3/61,3
K0389.108X	M8	5	4	51,6/61,6/81,6
K0389.110X	M10	6,5	5	51,9/61,9/81,9
K0389.112X	M12	8	6	52,1/62,1/82,1

# Ball-end thrust screws without head

stainless steel with full ball



**Material:**

Screw and ball stainless steel.

**Type:**

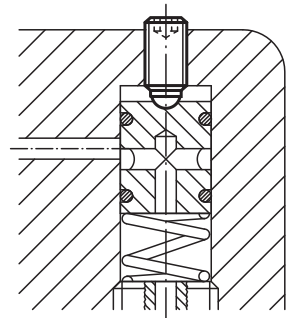
Bright.

**Part Number Example:**

K0384.1046

**Note:**

Ball-End Thrust Screws with full ball are used when a clean, polished contact surface is required. Longer versions have been designed especially to be glued in, enabling mechanical connecting elements with male threads to be made cost-effectively for small and medium-sized production runs.



# Ball-end thrust screws without head

stainless steel with full ball

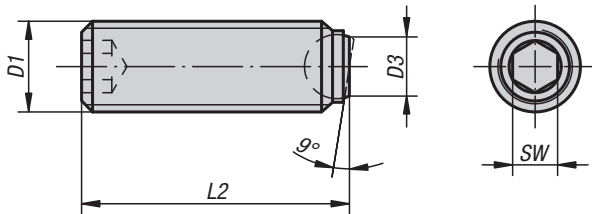


## KIPP Ball-end thrust screws without head, stainless steel, with full ball

Item No.	D1	L1	Ball Ø	SW
K0384.1046	M4	6	2,5	2
K0384.1048	M4	8	2,5	2
K0384.10410	M4	10	2,5	2
K0384.10412	M4	12	2,5	2
K0384.10416	M4	16	2,5	2
K0384.1058	M5	8	3	2,5
K0384.10510	M5	10	3	2,5
K0384.10512	M5	12	3	2,5
K0384.10516	M5	16	3	2,5
K0384.10520	M5	20	3	2,5
K0384.10525	M5	25	3	2,5
K0384.10610	M6	10,8	4	3
K0384.10612	M6	12,8	4	3
K0384.10616	M6	16,8	4	3
K0384.10620	M6	20,8	4	3
K0384.10625	M6	25,8	4	3
K0384.10650	M6	50,8	4	3
K0384.10660	M6	60,8	4	3
K0384.10680	M6	80,8	4	3
K0384.10810	M8	11,2	5,5	4
K0384.10812	M8	13,2	5,5	4
K0384.10816	M8	17,2	5,5	4
K0384.10820	M8	21,2	5,5	4
K0384.10825	M8	26,2	5,5	4
K0384.10830	M8	31,2	5,5	4
K0384.10850	M8	51,2	5,5	4
K0384.10860	M8	61,2	5,5	4
K0384.10880	M8	81,2	5,5	4
K0384.11012	M10	13,7	7	5
K0384.11016	M10	17,7	7	5
K0384.11020	M10	21,7	7	5
K0384.11025	M10	26,7	7	5
K0384.11035	M10	36,7	7	5
K0384.11216	M12	18	8,5	6
K0384.11220	M12	22	8,5	6
K0384.11225	M12	27	8,5	6
K0384.11230	M12	32	8,5	6
K0384.11232	M12	34	8,5	6
K0384.11240	M12	42	8,5	6
K0384.11620	M16	23,3	12	8
K0384.11625	M16	28,3	12	8
K0384.11635	M16	38,3	12	8
K0384.11650	M16	53,3	12	8

# Ball-end thrust screws without head

stainless steel with flattened ball



**Material:**

Screw and ball stainless steel.

**Type:**

Bright.

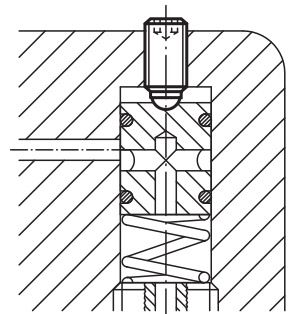
**Part Number Example:**

K0384.2046

**Note:**

Surfaces which are not flat and parallel can be firmly clamped or supported with a flattened ball. The movable ball can adapt itself up to 9°.

Longer versions have been designed especially to be glued in. This enables mechanical connecting elements with male thread to be made cost-effectively for small and medium-sized production runs.



# Ball-end thrust screws without head

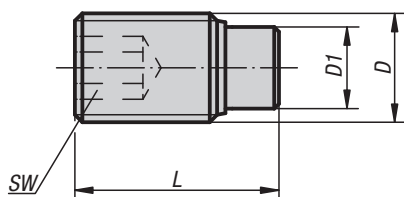
stainless steel with flattened ball



## KIPP Ball-end thrust screws without head, stainless steel with flattened ball, metric

Item No.	D1	D3	L2	Ball Ø	SW
K0384.2046	M4	1,4	5,8	2,5	2
K0384.2048	M4	1,4	7,8	2,5	2
K0384.20410	M4	1,4	9,8	2,5	2
K0384.20412	M4	1,4	11,8	2,5	2
K0384.20416	M4	1,4	15,8	2,5	2
K0384.2058	M5	2	7,6	3	2,5
K0384.20510	M5	2	9,6	3	2,5
K0384.20512	M5	2	11,6	3	2,5
K0384.20516	M5	2	15,6	3	2,5
K0384.20520	M5	2	19,6	3	2,5
K0384.20525	M5	2	24,6	3	2,5
K0384.20610	M6	3	10,1	4	3
K0384.20612	M6	3	12,1	4	3
K0384.20616	M6	3	16,1	4	3
K0384.20620	M6	3	20,1	4	3
K0384.20625	M6	3	25,1	4	3
K0384.20650	M6	3	50,1	4	3
K0384.20660	M6	3	60,1	4	3
K0384.20680	M6	3	80,1	4	3
K0384.20810	M8	4,1	10,3	5,5	4
K0384.20812	M8	4,1	12,3	5,5	4
K0384.20816	M8	4,1	16,3	5,5	4
K0384.20820	M8	4,1	20,3	5,5	4
K0384.20825	M8	4,1	25,3	5,5	4
K0384.20830	M8	4,1	30,3	5,5	4
K0384.20850	M8	4,1	50,3	5,5	4
K0384.20860	M8	4,1	60,3	5,5	4
K0384.20880	M8	4,1	80,3	5,5	4
K0384.21012	M10	5,6	12,3	7	5
K0384.21016	M10	5,6	16,3	7	5
K0384.21020	M10	5,6	20,3	7	5
K0384.21025	M10	5,6	25,3	7	5
K0384.21035	M10	5,6	35,3	7	5
K0384.21216	M12	7	16,2	8,5	6
K0384.21220	M12	7	20,2	8,5	6
K0384.21230	M12	7	30,2	8,5	6
K0384.21240	M12	7	40,2	8,5	6
K0384.21620	M16	10,7	20	12	8
K0384.21625	M16	10,7	25	12	8
K0384.21635	M16	10,7	35	12	8
K0384.21650	M16	10,7	50	12	8

## Thrust Screws stainless steel

**Material:**

Screw stainless steel.  
Pin brass or polyacetal.

**Type:**

Screw bright.

**Part Number Example:**

K0667.041X105 (include length L)

**Note:**

Thrust screws are ideal for clamping or exerting pressure on threaded spindles, axles, shafts and treated surfaces without marring.

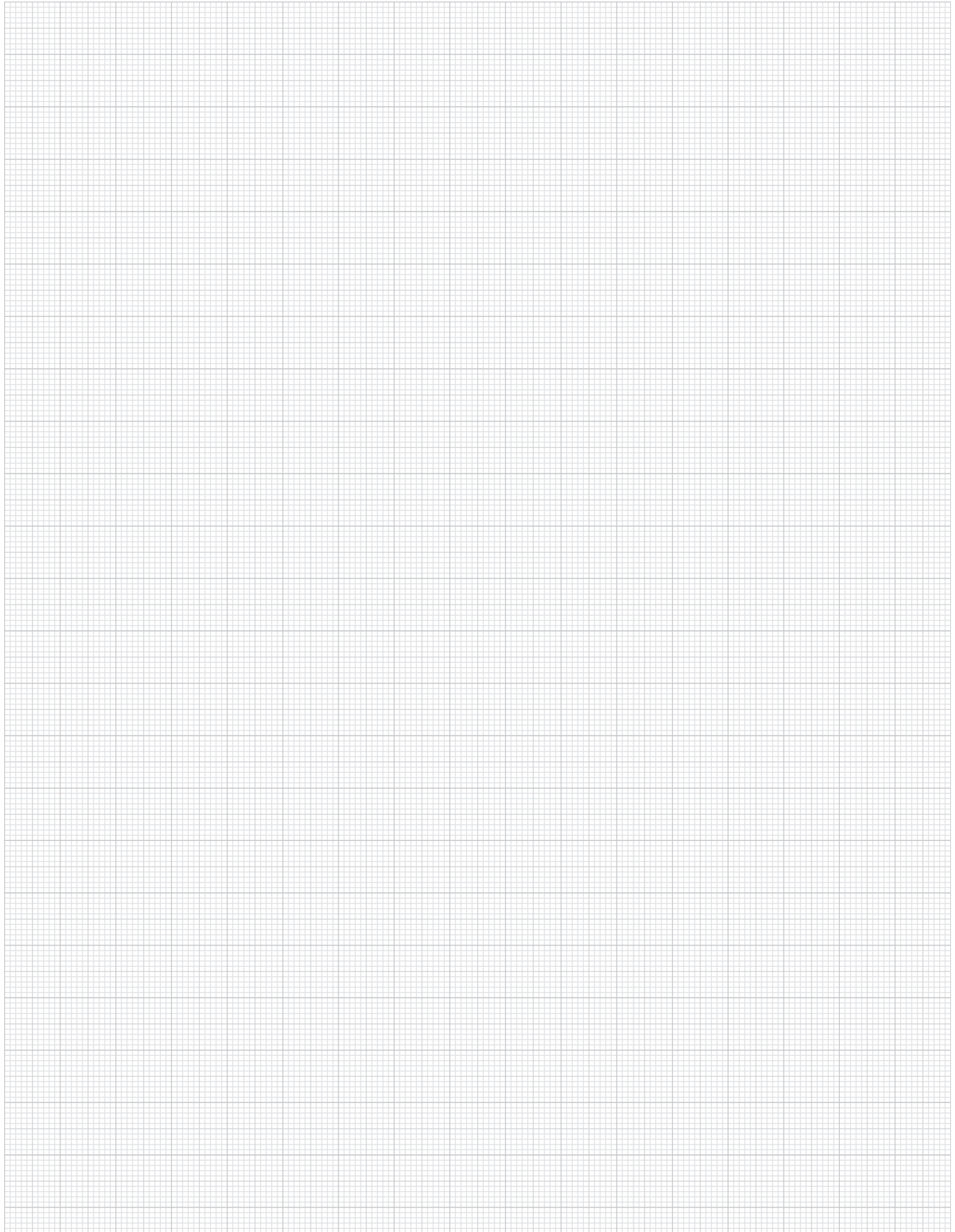
## KIPP Thrust Screws, stainless steel, metric

Item No.	Component material	D	D1	L	SW
K0667.041X	brass	M4	2,5	6,5/10,5/16,5/30,5/40,5	2
K0667.051X	brass	M5	3	8,5/12,5/20,5/30,5/40,5	2,5
K0667.061X	brass	M6	4	11,5/13,5/17,5/21,5/26,5/41,5/51,5/61,5	3
K0667.081X	brass	M8	5,5	12/22/32/52/62/82	4
K0667.101X	brass	M10	7	14/18/27/37	5
K0667.121X	brass	M12	8,5	22,5/32,5/42,5	6

Item No.	Component material	D	D1	L	SW
K0667.1041X	polyacetal	M4	2	7/9/11/13/17/31/41	2
K0667.1051X	polyacetal	M5	3	9/11/13/17/21/31/41	2,5
K0667.1061X	polyacetal	M6	3,5	11,3/13,3/17,3/21,3/26,3/41,3/51,3/61,3	3
K0667.1081X	polyacetal	M8	5	13,6/17,6/21,6/26,6/33,6/51,6/61,6/81,6	4
K0667.1101X	polyacetal	M10	6,5	17,9/21,9/26,9/36,9	5
K0667.1121X	polyacetal	M12	8	22,1/32,1/42,1	6



Notes:



# Reference and Conversion Tables



Pressure		
From	To	Conversion
psi	Kilogram-force/cm <sup>2</sup> (kgf/cm <sup>2</sup> )	psi x 0.07031 = kgf/cm <sup>2</sup>
Kilogram-force/cm <sup>2</sup> (kgf/cm <sup>2</sup> )	psi	kgf/cm <sup>2</sup> x 14.22 = psi
psi	bar	psi x 0.07 = bar
bar	psi	bar x 14.29 = psi

Linear Measure		
From	To	Conversion
Inch (")	Millimeter (mm)	inch x 25.4 = mm
Millimeter (mm)	Inch (")	mm x 0.03937 = inch
Foot (')	Meter (m)	foot x 0.3048 = m
Meter (m)	Foot (')	m x 3.281 = foot
Yard	Meter (m)	yard x 0.9144 = m
Meter (m)	Yard	m x 1.0936 = yard
Miles (mi)	Kilometer (km)	mi x 1.609 = km
Kilometer (km)	Miles (mi)	km x 0.622 = mi

Forces		
From	To	Conversion
Pounds (lbs)	Newton (N)	lbs x 4.45 = N
Newton (N)	Pounds (lbs)	N x 0.225 = lbs
HP (horsepower)	Kilowatt (kW)	HP x 0.746 = kW
Kilowatt (kW)	HP (horsepower)	kW x 1.34 = HP

Weights		
From	To	Conversion
Pounds (lbs)	Kilogram-force/cm <sup>2</sup> (kgf/cm <sup>2</sup> )	lbs x 0.45 = kgf/cm <sup>2</sup>
Kilogram-force/cm <sup>2</sup> (kgf/cm <sup>2</sup> )	Pounds (lbs)	kgf/cm <sup>2</sup> x 2.2 = lbs
Ounces (oz)	Gram (g)	oz x 28 = g
Gram (g)	Ounces (oz)	g x 0.035 = oz
Pounds (lbs)	Kilogram (kg)	lbs x 0.4536 = kg
Kilogram (kg)	Pounds (lbs)	kg x 2.205 = lbs

Torque		
From	To	Conversion
Foot-pounds (ft-lbs)	Newton-Meter (Nm)	ft/lbs x 1.35 = Nm
Newton-Meter (Nm)	Foot-pounds (ft-lbs)	Nm x 0.74 = ft/lbs
Newton-Meter (Nm)	Kilogram-force/cm (kgf/cm)	Nm x 0.102 = kgf/cm

## Materials:

POM = Polyoxymethylene

Deviating from the standard design, other materials and quality classes are available on request.

## Surface finishes:

Other surface finishes are available at additional cost, e.g. matte-finished or high-polish chromium-plated steel parts.

Other colors are also available on request for plastic coatings or molded plastic parts.

## Threads:

Threads are manufactured to ISO DIN 13 medium tolerance class, i.e. 6H for nut threads and 6g for bolt threads. Male threads up to 60 mm are generally supplied fully threaded. Screw lengths  $\geq$  60 mm are supplied with 60 mm long threads.

## Threads of aluminum grips:

Threads cut into aluminum grips cannot be true to gauge size due to final surface finish treatment and the removal of material during related pre-treatment. The majority of these threads are molded in order to strengthen the material. As a result, the tear resistance of aluminum for a thread with M5x10 is higher than 2000 N.

## Special versions:

KIPP Clamp and Tension Levers can also be supplied on request with pre-drilled inserts, locating holes, locating bolts for pinning and other DIN 6332 and DIN 78 thread ends (except for flat point).

You can rely on us as a competent partner for your daily clamping needs. We are always happy to advise you.

## Thread Pitch Chart:

**Note: All metric threads are supplied with coarse thread pitch unless otherwise specified.**

### Metric Coarse Thread:

M3 X 0.5  
M4 X 0.7  
M5 X 0.8  
M6 X 1.0  
M8 X 1.25  
M10 X 1.5  
M12 X 1.75  
M14 X 2.00  
M16 X 2.00  
M18 X 2.50  
M20 X 2.50  
M22 X 2.50  
M24 X 3.00

### Metric Fine Thread:

M3 X 0.35  
M4 X 0.50  
M5 X 0.50  
M6 X 0.75  
M8 X 1.00  
M10 X 1.25  
M12 X 1.50  
M14 X 1.50  
M16 X 1.50  
M18 X 1.5  
M20 X 1.5  
M24 X 1.5  
M24 X 2.0

## Conversion Chart:

10mm = .39"  
12mm = .47"  
15mm = .59"  
20mm = .79"  
25mm = .98"  
30mm = 1.18"  
25mm = 1.38"  
40mm = 1.57"  
45mm = 1.77"  
50mm = 1.97"  
55mm = 2.17"  
60mm = 2.36"  
70mm = 2.76"  
80mm = 3.15"  
90mm = 3.54"



# General Terms and Conditions



Kipp Inc. ("Kipp") is pleased to present its products to industry. All products are sold under our standard terms and conditions of sale, which include an express warranty disclaimer, and limitations of remedies and responsibilities. Kipp reserves the right to delete products and to make improvements, changes or modifications to all products manufactured or sold by Kipp, without incurring any liability to incorporate these changes in any part or component - past, present or future. Any specifications, guidelines, technical data and other information provided herein supersede all previous similar information published by Kipp unless specifically provided in writing by Kipp pursuant to a specific inquiry. All information provided by Kipp, regardless of nature or form, is prepared in good faith based upon our experience, mathematical models, and/or scientific models as general information only. Any suggestion or projections offered in writing, by phone, in person, or in any other form are provided in good faith, but since the functionality and reliability of Kipp products can vary with the application and with the equipment and other components with which it is used, and user skills, all warranties (other than the Kipp non-assignable standard express written warranty given to direct purchasers from Kipp), such as any implied warranty or merchantability or fitness for a particular purpose, are disclaimed.

Kipp products are generally sold through distributors and Kipp disclaims all warranties to indirect purchasers of Kipp product. Purchasers should contact their sellers with any claims related to Kipp products. Kipp is not responsible in contract, tort, or otherwise for any inaccuracies or for any direct, incidental or consequential damages resulting therefrom or from the purchase, use, storage or sale of Kipp products. Any suggestion or projection should be fully analyzed and/or tested by the customer before selecting any Kipp product or taking any action based thereon. Kipp products are often used in specialized complex applications. Post delivery field engineering and changes may be required by users to obtain the best results possible in any particular application. Please call our Engineering Department or Sales Department at (866) 547-7166 if you have further questions. All information furnished is subject to the foregoing disclaimers and limitations.

The publication of this catalog renders all earlier publications invalid. Dimensions and other information is correct at the time of printing.

We reserve the right to make technical changes. We also cannot be held liable for printing errors that may occur in this publication.

Reprint and reproduction, even excerpts, are only allowed with KIPP Inc. permission.

KIPP Inc.

Copyright KIPP Inc.

WE01USCAT1910



## Adjustable Handles



Indexing Plungers



Knobs



Rubber Buffers



Spring Plungers



Handwheels



Latches



Ball Lock Pins



Pull Handles



Locating Components



Toggle Clamps



Tube Connectors



Leveling Elements



Clamping Devices



Hinges



Machine & Fixture Components



(866) 547-7166

(269) 932-1100

[www.kippusa.com](http://www.kippusa.com)

