



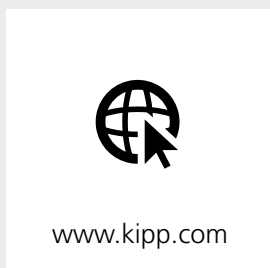
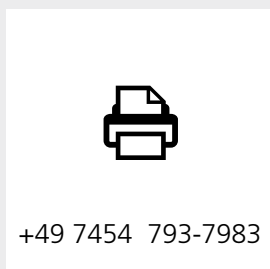
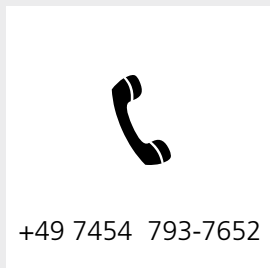
HEINRICH KIPP WERK



ZERO POINT Clamping Technology

Edition 09 2019

CONTENTS



PRODUCT OVERVIEW 4

Zero-point clamping system

Technical Information	10
Products	12
Applications	26

5-axis module clamping system 80

Function	30
Setup times / Interfaces	32
Forces	34
Applications	35
Products	38

5-axis module clamping system 50

Forces	58
Function	59
Products	60
Applications	67

5-axis module clamping system 138

Forces	70
Products	71

Locating and clamping system

General information	78, 87
Products	79



Reg. Nr. 002081 QM



SERVICE HOURS (CET)

MONDAY-THURSDAY	7.00 am - 5.30 pm
FRIDAY	7.00 am - 3.30 pm

Zero-point clamping system



Interchangeable subplates
for UNI lock zero-point
clamping system
K1218



Page 19

UNI lock clamping pin
size 80 mm
K0967



Page 20, 48

UNI lock clamping station
K1009



Page 12

UNI lock clamping pin
with through hole system size 80 mm
K1471



Page 21, 49

UNI lock clamping station
K1009



Page 13

Protective bolt
for clamping module
K1010



Page 22

UNI lock installation clamp
K1003



Page 14

Protective plug
for clamping module
K1010



Page 22

UNI lock installation clamp
K1385



Page 15

Quick-fit couplings
K1011



Page 23

UNI lock mounting clamps
K1389



Page 16

Feedback sensor
for UNI lock
installation clamp K1385
K1484



Page 24

UNI lock double clamping module
K1122



Page 17

Feedback sensor
for UNI lock
installation clamp K1389
K1485



Page 25

UNI lock manual clamping module
K1123



Page 18

5-axis module clamping system 80



UNI lock 5-axis basic module system size 80 mm
K0960



Page 38

UNI lock 5-axis basic module double clamp size 80 mm
K0961



Page 39

UNI lock 5-axis base plate for general clamping, system size 80 mm
K0962



Page 40

UNI lock 5-axis add-on clamping module size 80 mm
K0963



Page 41

UNI lock 5-axis collet adapter size 80 mm
K0964



Page 42

UNI lock 5-axis face-grip adapter size 80 mm
K0965



Page 43

UNI lock 5-axis reducer adapter size 80 mm
K0966



Page 44, 45

Angle clamp adapters size 80 mm
K1013



Page 46

UNI lock T-slot centring clamp bolt size 80 mm
K0969



Page 47

UNI lock clamping pin size 80 mm
K0967



Page 48

UNI lock clamping pin one-piece size 80 mm with threaded pin size 80 mm
K0967



Page 50, 51

UNI lock clamping bolts for fastening to workpieces size 80 mm
K0968



Page 52

UNI lock 5-axis shoulder screws size 80 mm
K0970



Page 52

UNI lock 5-axis shoulder screws for fastening to workpieces size 80 mm
K0971



Page 53

Centring clamping bolts size 80 mm
K1012



Page 54

Torque wrench for 5-axis module clamping system
K1488



Page 55

5-axis module clamping system 50



5-axis module clamping system 138



UNI lock 5-axis basic module
system size 50 mm
K1117



Page 60

UNI lock 5-axis basic module
system size 138 mm
K1419



Page 71

UNI lock 5-axis basic module
adjustable
system size 50 mm
K1117



Page 61

UNI lock 5-axis baseplate
for general clamping,
size 138 mm
K1420



Page 72

UNI lock 5-axis basic module
double clamp
system size 50 mm
K1118



Page 62

UNI lock 5-axis reducer adapter
system size 138 mm
K1422



Page 73

UNI lock 5-axis add-on module
system size 50 mm
K1119



Page 63

UNI lock 5-axis reducer adapter
system size 138 mm
K1423



Page 74

UNI lock 5-axis add-on module
adjustable
system size 50 mm
K1119



Page 64

UNI lock clamping pin
system size 138 mm
K1424



Page 75

UNI lock 5-axis reducer adapter
system size 50 mm
K1120



Page 65

UNI lock clamping pin
system size 50 mm
K1121



Page 66



Locating and clamping systems



Receiver bushes
Form B (screwed down from front)
K0938



Page 85

Receiver bushes stainless steel
Form B (screwed down from front)
K1477



Page 85

Locating cylinder
Ball Lock
K0935



Page 79

Locating cylinders
pneumatic
K1219



Page 88

Locating cylinder stainless steel
Ball Lock
K1474



Page 80

Locating bushes
for pneumatic locating cylinder
K1220



Page 89

Locating cylinder
with quick clamping system
K0935



Page 81

Locating cylinders
pneumatic
K1486



Page 92

Centring bushes
K0936



Page 82

Locating bushes
for pneumatic locating cylinder
K1487



Page 93

Centring bushes stainless steel
K1475



Page 83

Receiver bushes
Form A (pressed in from rear)
K0937



Page 84

Receiver bushes stainless steel
Form A (pressed in from rear)
K1476



Page 84

Zero-point clamping system



Technical information zero-point clamping system



Application

The modular structured flexible zero-point clamping system was specifically developed for the machining and non-machining fields.

This system enables a quick and accurate clamping and referencing of fixtures and workpieces on all production machines, machining centres, EDM's and inspection equipment.

Whether subplate, fixture, vice or workpiece, this system allows an exchange with a defined reference point in a matter of seconds and repeat accuracy of less than 0.005 mm.

The advantages

- Modular system
- Compact flat design
- Workpiece or fixture change within seconds
- Pneumatic system
- Positive locking
- Holding forces up to 75 KN and pull-in forces up to 15 KN
- Turbo function
- Positioning via short conical locator
- Works reliably in every mounting position
- Sealing air function

Your benefit

- Can be combined with our modular clamping system
- Better machine room utilisation
- Increased productive machine running times, significantly reduced set-up times
- Reliable system
- Very high cutting forces possible
- High operating and process safety
- Increased pull-in forces are standard
- Very high repeat accuracy
- Clamping cylinder installation in both vertical and horizontal positions
- Blow out function can be activated when changing pallets



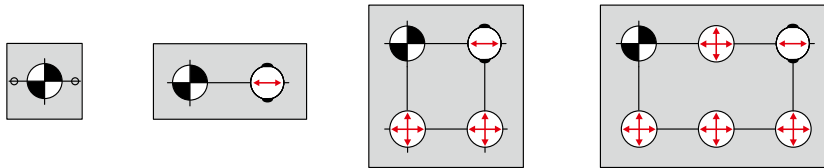
Technical information zero-point clamping system



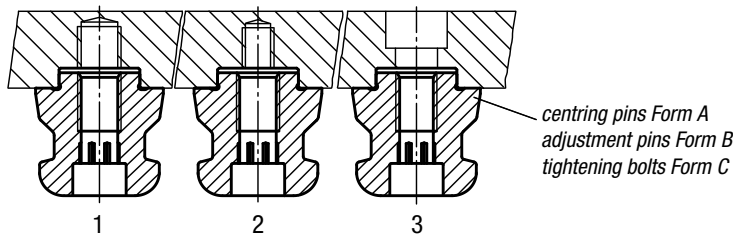
Spigot arrangement/set-up

The workpieces, fixtures or subplates are positioned and clamped using spigots. There are three different spigot types.

- Centring spigot fixed in x and y direction (reference point)
- Compensating pin fixes the free axis (studs)
- Clamping spigot Spigot with undersize (no centring function only clamping function)
- Cylindrical pin For individual clamping, positioning is done with centring spigot + 2 cylindrical pins



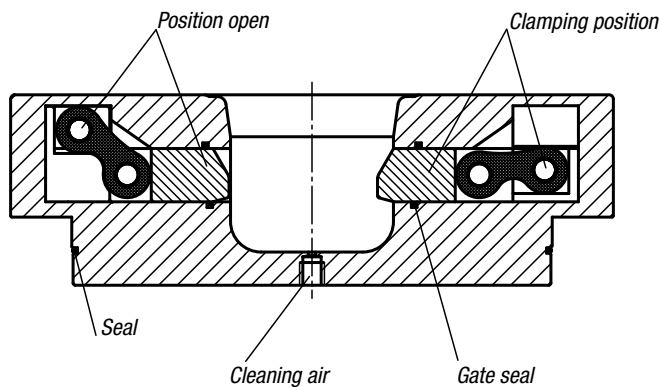
- 1 = fastening with grub screw DIN 913
- 2 = fastening with DIN 912 screw through the tightening bolt
- 3 = fastening with DIN 912 screw through the fixture or workpiece



The function

The proven UNI lock clamping module was made even flatter due to a new mechanism. The built-in toggle system together with guided clamping slides ensures high process reliability of the system.

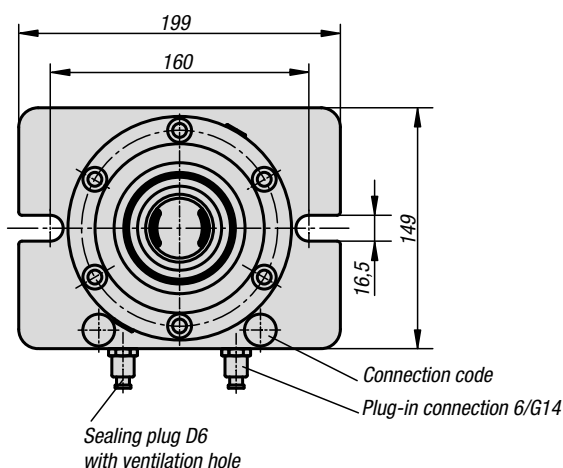
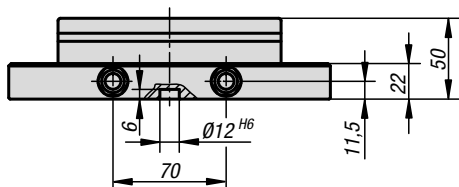
Toggle lever mechanism



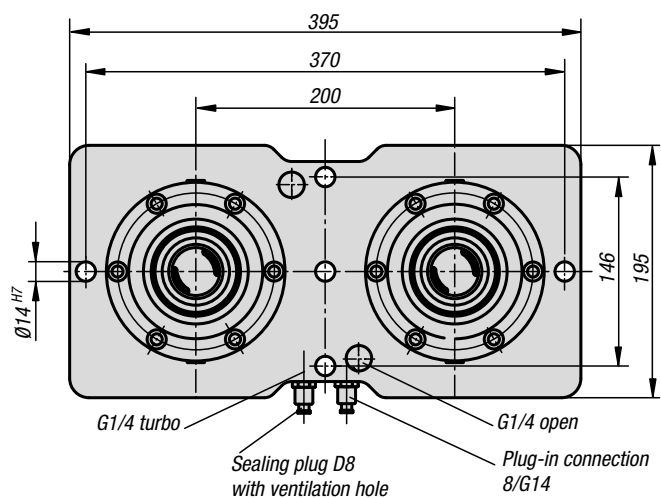
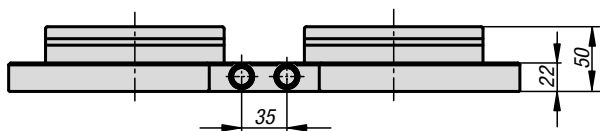
UNI lock clamping station



1x



2x



Material:

Clamping module mild steel.
Base plate steel 1.1730.

Version:

Clamping module contact surfaces case-hardened and ground.
Base plate ground on both sides.

Sample order:

K1009.1000149199

Note:

Completely mounted multi-clamping stations with integrated UNI lock Ø138 mm mounting clamps. The clamping stations are secured to the machine table directly or with clamps. Common bore patterns are pre-centred on the rear side for mounting. Clamping stations can be aligned via the 14H7 reference holes. The clamping stations are actuated via a central pneumatic connection. The high clamping forces are generated by the integrated spring package (the unit clamps in the de-pressurized state). The release process occurs pneumatically.

The following retaining forces are possible with the UNI lock clamping bolt in conjunction with mounting screws M10, M12, M16.

- Retaining force (M10) 35,000N/module
- Retaining force (M12) 50,000N/module
- Retaining force (M16) 75,000N/module

On request:

Clamping station in special dimensions.

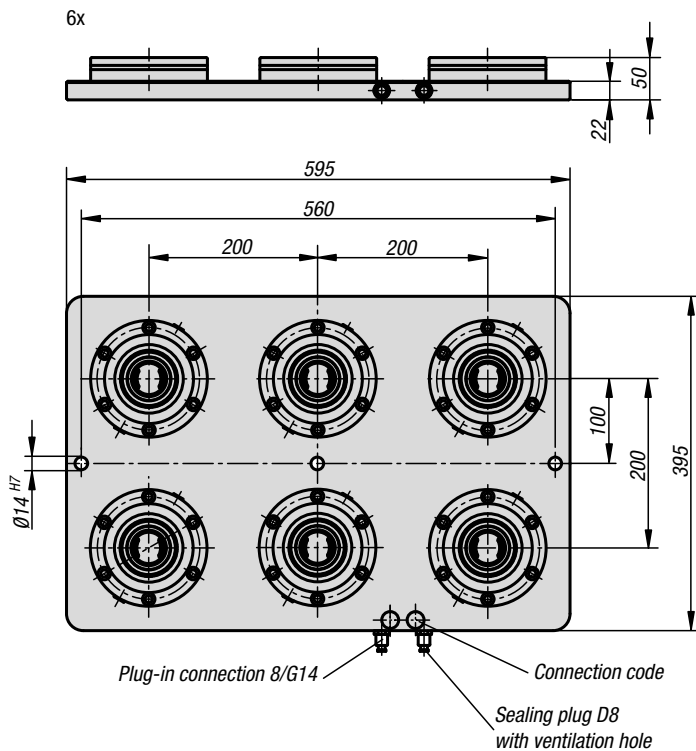
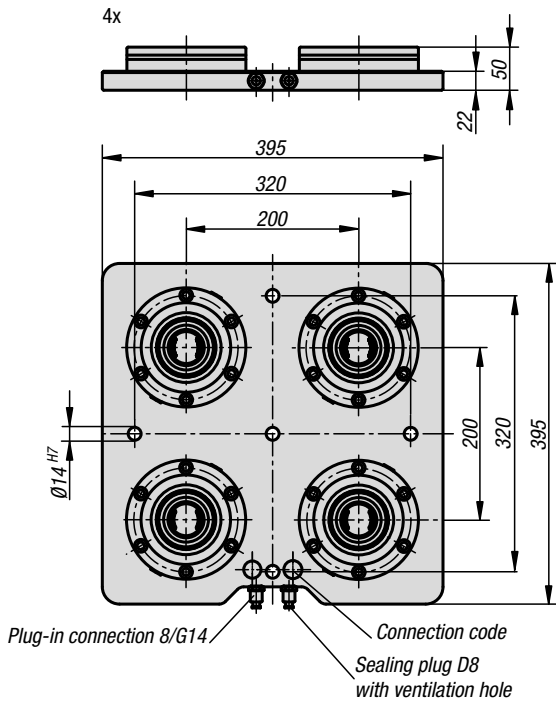
Technical data:

- Opening pressure: 6bar, lubricated air
- Turbo pressure: 6bar
- Air connection: G1/4
- Repeat accuracy ≤ 0.005 mm
- Reference holes 14H7 to align the clamping plate.
- Pneumatic connectors for 6 mm pneumatic hose.

KIPP UNI lock clamping station

Order No.	Type	Form	weight kg
K1009.1000149199	-	1x	7,08
K1009.10001491991	rotation lock	1x	7,2
K1009.2200395195	-	2x	17,62

UNI lock clamping station



Material:

Clamping module mild steel.
Base plate steel 1.1730.

Version:

Clamping module contact surfaces case-hardened and ground.
Base plate ground on both sides.

Sample order:

K1009.4200395395

Note:

Completely mounted multi-clamping stations with integrated UNI lock Ø138 mm mounting clamps. The clamping stations are secured to the machine table directly or with clamps.

Common bore patterns are pre-centred on the rear side for mounting.

Clamping stations can be aligned via the 14H7 reference holes.

The clamping stations are actuated via a central pneumatic connection.

The high clamping forces are generated by the integrated spring package (the unit clamps in the de-pressurized state).

The release process occurs pneumatically.

The following retaining forces are possible with the UNI lock clamping bolt in conjunction with mounting screws M10, M12, M16.

- Retaining force (M10) 35,000N/module
- Retaining force (M12) 50,000N/module
- Retaining force (M16) 75,000N/module

On request:

Clamping station in special dimensions.

Technical data:

- Opening pressure: 6bar, lubricated air
- Turbo pressure: 6bar
- Air connection: G1/4
- Repeat accuracy ≤ 0.005 mm
- Reference holes 14H7 to align the clamping plate.
- Pneumatic connectors for 6 mm pneumatic hose.

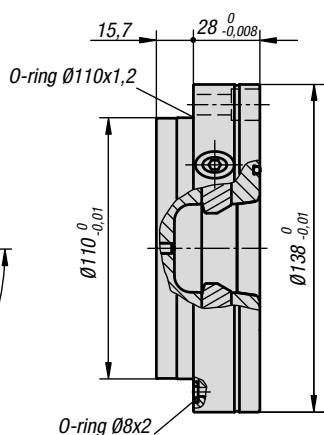
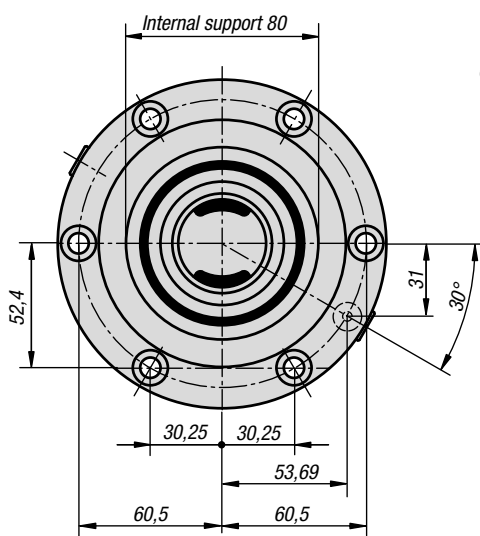
KIPP UNI lock clamping station

Order No.	Form	weight kg
K1009.4200395395	4x	58
K1009.6200595395	6x	52,2

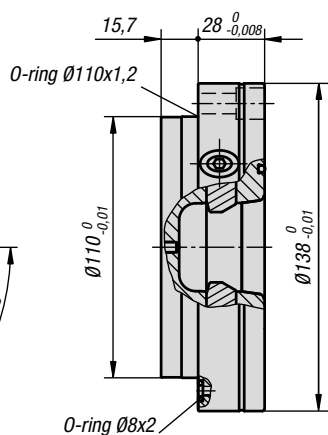
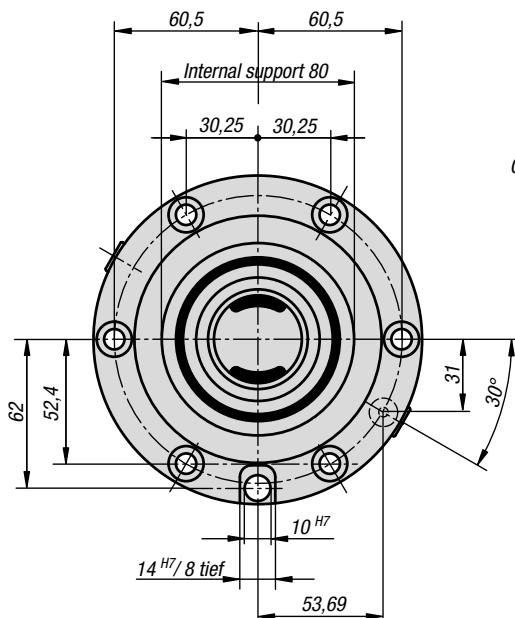
UNI lock installation clamp



Without rotation lock



With rotation lock



Material:
Steel.

Version:
Contact faces case-hardened and ground.

Sample order:
K1003.138280

Note:
The UNI lock mounting clamps can be installed in any position on machine tables, fixtures or workholding equipment (tooling plates, cubes, tombstones etc). The modular design enables the number of clamps and distance between them to be ideally adjusted to suit the clamping task. The clamps can be supplied with or without rotation lock.

The high clamping forces are generated by the integrated spring package (the unit clamps when depressurised). Compressed air is applied to release the clamp.

The following holding forces are possible with the UNI lock clamping bolt in conjunction with M10, M12 or M16 fastening screws:

- Holding force (M10) 35,000N
- Holding force (M12) 50,000N
- Holding force (M16) 75,000N

Supplied with:
1x clamping module incl. 6 fastening screws.
6x screw protection caps.
2x air connection O-rings.
1x installation O-ring.

Technical data:
- Opening pressure: 6 bar, lubricated air
- Turbo pressure: 6 bar
- Air connection: G 1/8"
- Repeat accuracy ≤ 0.005 mm

KIPP UNI lock installation clamp

Order No.	Version	weight kg
K1003.138280	without rotation lock	3,56
K1003.138281	with rotation lock	3,52

UNI lock installation clamp



Material:
Steel.

Version:
Contact faces case-hardened and ground.

Sample order:
K1385.138390

Note:
The UNI lock mounting clamps can be installed in any position on machine tables, fixtures or workholding equipment (tooling plates, cubes, tombstones etc). The modular design enables the number of clamps and distance between them to be ideally adjusted to suit the clamping task. The high clamping forces are generated by the integrated spring package (the unit clamps when depressurised). Compressed air is applied to release the clamp.

The following holding forces are possible with the UNI lock clamping bolt in conjunction with M10, M12 or M16 fastening screws:

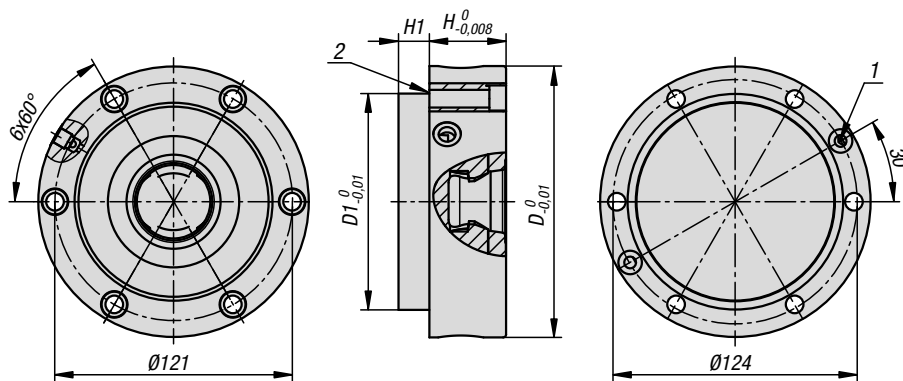
- Holding force (M10) 35,000N
- Holding force (M12) 50,000N
- Holding force (M16) 75,000N

Supplied with:
1x clamping module incl. 6 fastening screws.
6x screw protection caps.
2x air connection O-rings.
1x installation O-ring.

Technical data:

- Opening pressure: 6 bar, lubricated air
- Turbo pressure: 6 bar
- Air connection: G 1/8"
- Repeat accuracy ≤ 0.005 mm

Drawing reference:
1) O-ring ($\varnothing 8 \times 2$)
2) O-ring ($\varnothing 110 \times 1,2$)



KIPP UNI lock installation clamp

Order No.	Version	D	D1	H	H1
K1385.138390	without rotation lock	138	110	39	15,7

UNI lock mounting clamps



Material:
Steel.

Version:
Contact faces case-hardened and ground.

Sample order:
K1389.176390

Note:
The UNI lock mounting clamps can be installed in any position on machine tables, fixtures or workholding equipment (tooling plates, cubes, tombstones etc).
The modular design enables the number of clamps and distance between them to be ideally adjusted to suit the clamping task. The clamps can be supplied with or without rotation lock. The high clamping forces are generated by the integrated spring package (the unit clamps when depressurised). Compressed air is applied to release the clamp.

The following holding forces are possible with the UNI lock clamping bolt in conjunction with M10, M12 or M16 fastening screws:

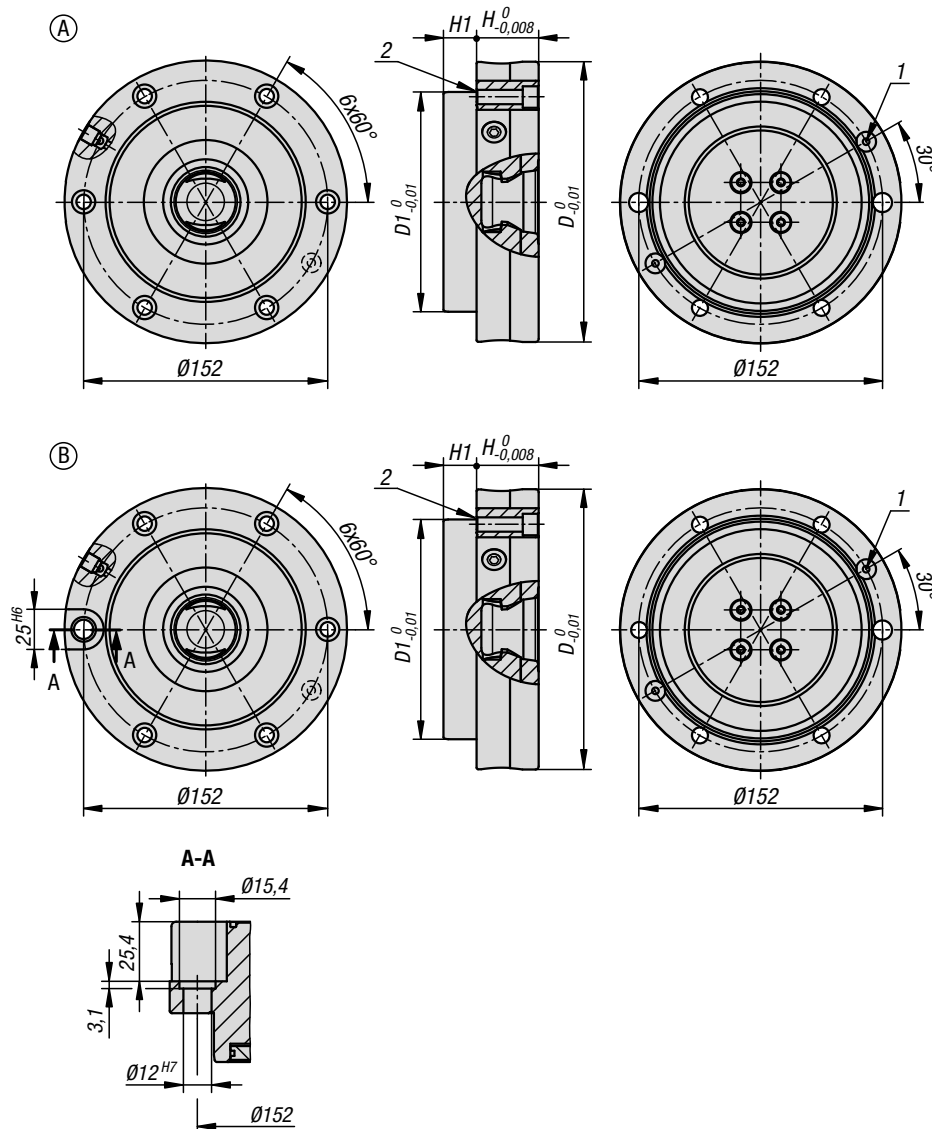
- Holding force (M10) 35,000N
- Holding force (M12) 50,000N
- Holding force (M16) 75,000N

Supplied with:
1x clamping module incl. 6 fastening screws.
6x screw protection caps.
2x air connection O-rings.
1x installation O-ring.

Technical data:

- Opening pressure: 6 bar, lubricated air
- Turbo pressure: 6 bar
- Air connection: G 1/8"
- Repeat accuracy ≤ 0.005 mm

Drawing reference:
1) O-ring ($\varnothing 8 \times 2$)
2) O-ring ($\varnothing 138$)



KIPP UNI lock mounting clamps

Order No.	Form	Version	D	D1	H	H1
K1389.176390	A	without rotation lock	176	138	39	20,8
K1389.176391	B	with rotation lock	176	138	39	20,8

UNI lock double clamping module



Material:
Steel.

Version:
Contact faces case-hardened and ground.

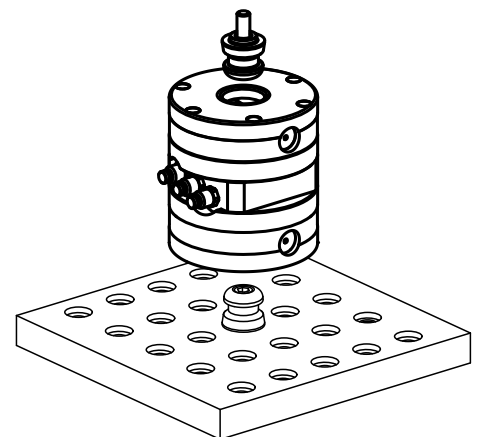
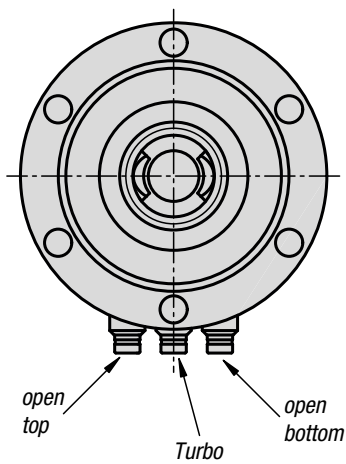
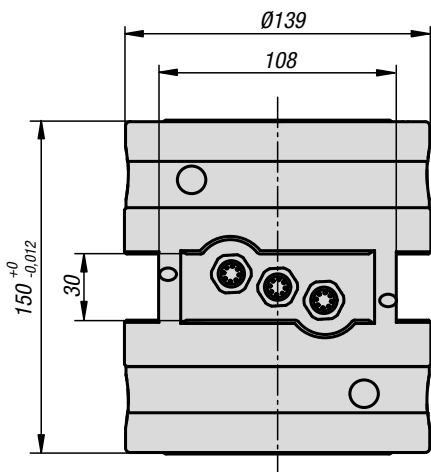
Sample order:
K1122.1381500

Note:
UNI lock double clamp modules are particularly suitable for the direct clamping of workpieces. Workpieces with complex geometry can be completely machined on 4 and 5 sides. UNI lock double clamp modules can be mounted in any position.

The high clamping forces are generated by the integrated spring package. (the unit clamps while not pressurised). Clamping is released pneumatically. The following clamping forces are possible with the UNI lock clamping pin in conjunction with M10, M12, M16 fastening screws:
Clamping force (M10) 35,000 N
Clamping force (M12) 50,000 N
Clamping force (M16) 75,000 N

Supplied with:
1 double clamp module incl. 3x pneumatic connections.

Technical data:
Opening pressure: 6 bar, lubricated air
Turbo pressure: 6 bar
Air connection: G 1/8
Repeat accuracy ≤ 0.005 mm



KIPP UNI lock double clamping module

Order No.	Type	weight kg
K1122.1381500	double clamp	3

UNI lock manual clamping module



Material:
Steel.

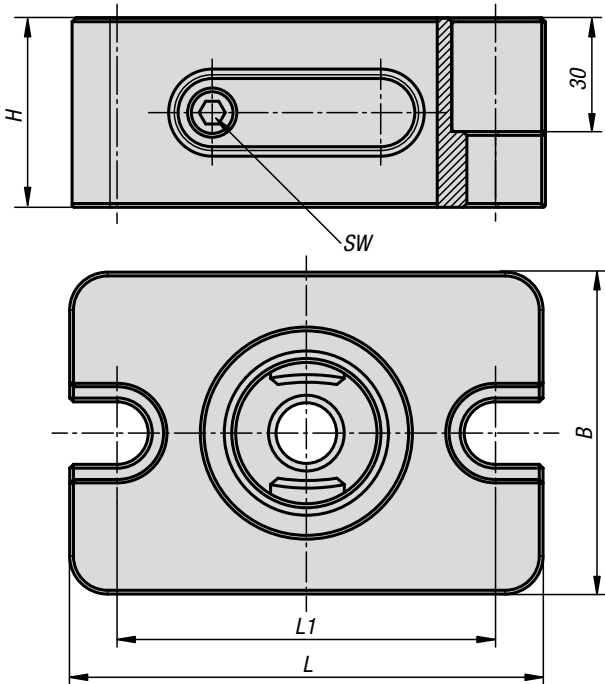
Version:
Contact faces case-hardened and ground.

Sample order:
K1123.1605050

Note:
UNI lock manual clamping modules can be adapted directly to machine tables with grid holes or T-slots, and to grid hole subplates with 50 mm grid spacing system size M10/M12/M16.
The UNI lock manual clamping module H 50 is particularly suitable for machines with reduced Z travel. The low installation height of the manual clamping module facilitates full utilisation of the Z travel.
The UNI lock manual clamping module H 50 can be mounted in any position.

Supplied with:
1 manual clamping module incl. fastening accessories.

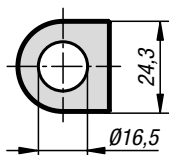
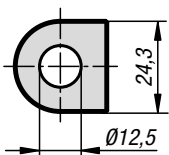
Technical data:
Repeat accuracy ≤ 0.005 mm



Mounting accessories

M12:

M16:

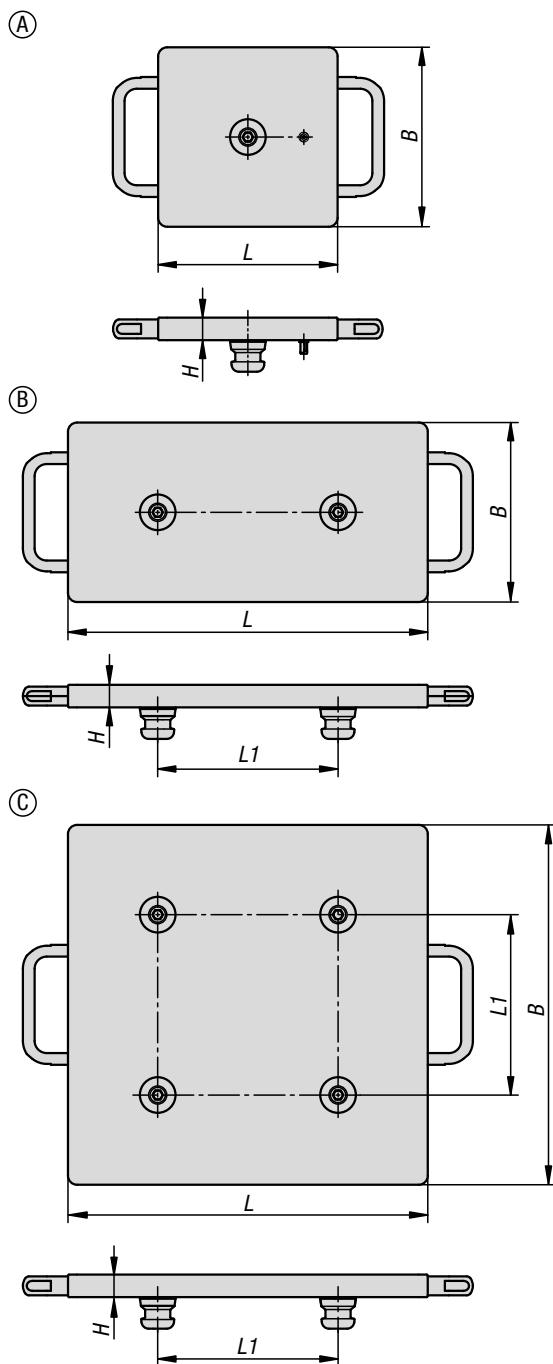


KIPP UNI lock manual clamping module

Order No.	B	H	L	L1	SW	weight kg
K1123.1605050	85	50	125	100	6	3,52

Interchangeable subplates

for UNI lock zero-point clamping system



Material:
High-strength aluminium.

Sample order:
K1218.1000200200

Note:
Interchangeable subplates are particularly suitable for quickly exchanging fixtures on zero point clamping plates. Ground on both sides, standard clamping pin gauge of 200 mm. Complete with clamping pins and handles.

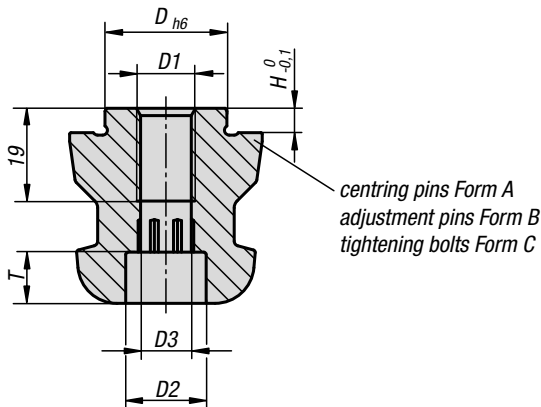
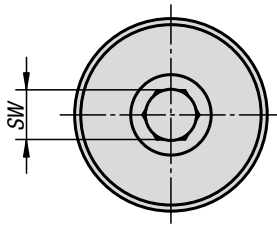
On request:
Further gauges and special sizes.

KIPP Interchangeable subplates for UNI lock zero point clamping system

Order No.	Form	B	H	L	L1	weight ca. kg
K1218.1000200200	A	199	25	199	-	7,44
K1218.2200200200	B	199	25	399	200	6,02
K1218.4200400400	C	399	25	399	200	11,88

UNI lock clamping pin

size 80 mm






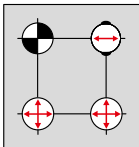
Material:
Steel.

Version:
Hardened and black oxidised.
Contact faces ground.

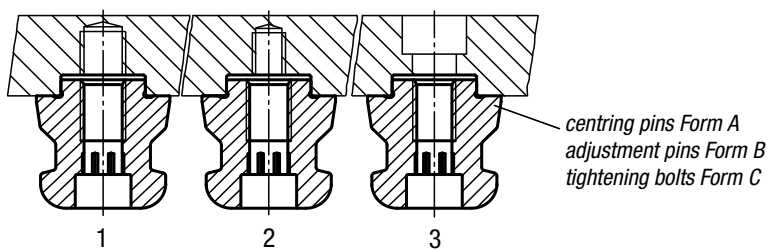
Sample order:
K0967.140160512

Note:
The UNI lock clamping pin is suitable for clamping and positioning workpieces and fixtures. Clamping pins are screwed onto the exchange element and adapted to the various basic modules.

-  Centring pins = Form A fixes in x and y axis (reference point)
-  Adjustment pins = Form B fixes the free axis (bayonet pin)
-  Tightening bolts = Form C Pins with undersize (no centring function, clamping only)



- 1 = fastening with grub screw DIN 913
- 2 = fastening with DIN 912 screw through the tightening bolt
- 3 = fastening with DIN 912 screw through the fixture or workpiece

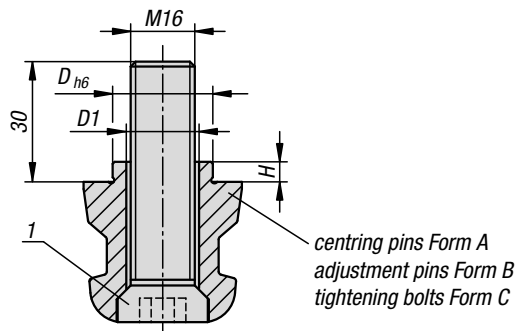





KIPP UNI lock clamping pin

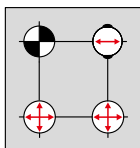
Order No. A	Order No. B	Order No. C	D	D1	D2	D3	H	T	SW
K0967.140160512	K0967.240160512	K0967.340160512	16	M12	16,5	10,3	5	10,5	10
K0967.140180512	K0967.240180512	K0967.340180512	18	M12	16,5	10,3	5	10,5	10
K0967.140200512	K0967.240200512	K0967.340200512	20	M12	16,5	10,3	5	10,5	10
K0967.140220516	K0967.240220516	K0967.340220516	22	M16	18,5	14,2	5	12,5	17
K0967.140240516	K0967.240240516	K0967.340240516	24	M16	18,5	14,2	5	12,5	17
K0967.140250512	K0967.240250512	K0967.340250512	25	M12	16,5	10,3	5	10,5	10
K0967.140250516	K0967.240250516	K0967.340250516	25	M16	18,5	14,2	5	12,5	17
K0967.140251012	K0967.240251012	K0967.340251012	25	M12	16,5	10,3	10	10,5	10
K0967.140251016	K0967.240251016	K0967.340251016	25	M16	18,5	14,2	10	12,5	17

UNI lock clamping pin

with through hole system size 80 mm



-  Centring pins = Form A fixes in x and y axis (reference point)
-  Adjustment pins = Form B fixes the free axis (bayonet pin)
-  Tightening bolts = Form C Pins with undersize (no centring function, clamping only)



Material:

Steel.

Version:

Hardened and black oxidised.
Contact faces ground.
Swivel fastening screw M16x65, tempered and black oxidised.

Sample order:

K1471.140250516

Note:

The UNI lock clamping pint is suitable for clamping and positioning workpieces and fixtures. Clamping pins are screwed onto the exchange element and adapted to the various basic modules.

Drawing reference:

1) Swivel fastening screw M16x65.

KIPP UNI lock clamping pin with through hole

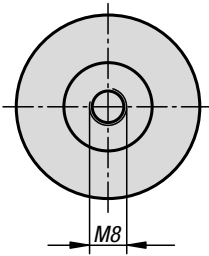
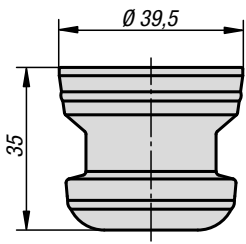
Order No.	Form	D	D1	H
K1471.140250516	A	25	16,5	5
K1471.240250516	B	25	16,5	5
K1471.340250516	C	25	16,5	5

K1010



Protective bolt

for clamping module



Material:
Aluminium.

Version:
Black anodised

Sample order:
K1010.040

Note:
Protection bolt to cover the hole.

KIPP Protective bolts for clamping module

Order No.	Dimensions
K1010.040	see drawing

K1010

Protective plug

for clamping module

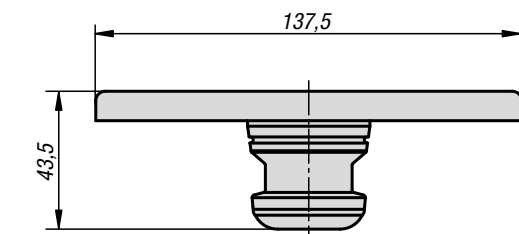


Material:
Aluminium.

Version:
Black anodised

Sample order:
K1010.138

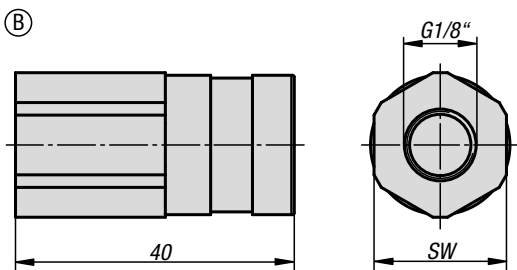
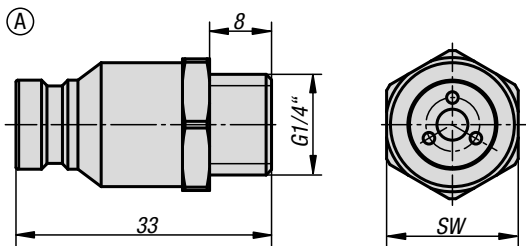
Note:
Protective plug for clamping module D = 138.



KIPP Protective plug for clamping module

Order No.	Dimensions
K1010.138	see drawing

Quick-fit couplings



Material:
Steel.

Version:
Electro zinc-plated.

Sample order:
K1011.0014

Note:
Quick-fit couplings suitable for UNI lock clamping stations.

KIPP Quick-fit couplings

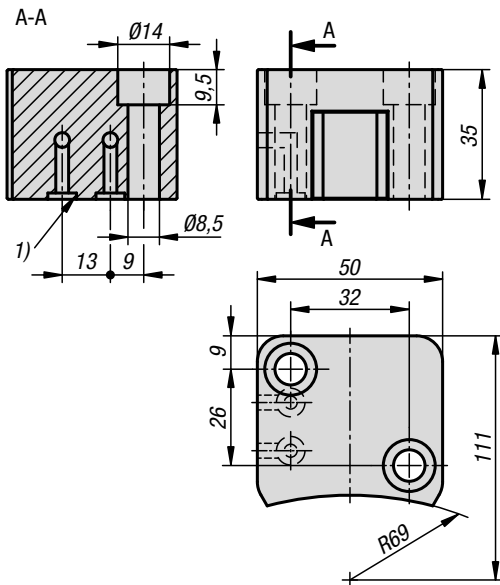
Order No.	Form	SW
K1011.0014	A	17
K1011.1018	B	19

Notes



Feedback sensor

for UNI lock installation clamp K1385



Material:

Housing high-strength aluminium.

Version:

Black anodised

Sample order:

K1484.138

Note:

Feedback sensors are used together with installation clamps. They are fastened directly to the baseplate of the clamping station.

Including:

- 2x O-rings D8x1.5mm
- 2x M8x35mm cap screws
- 2x protective caps

Function:

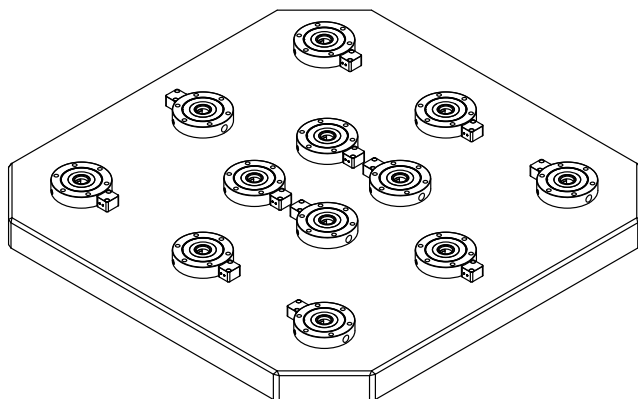
A compressed air line is connected to the feedback sensor when the installation clamp is in clamped mode. When the 1st clamp opens, the feedback sensor sends compressed air to the next clamp in line until all are open (series switching principle). The air from the last feedback sensor is used to activate a signal.

Applications:

K1385.

Drawing reference:

- 1) O-ring

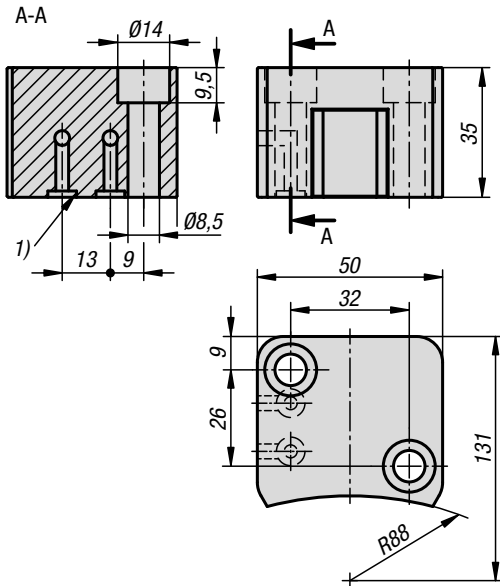


KIPP Feedback sensor for UNI lock installation clamp

Order No.	Version
K1484.138	for installation clamp

Feedback sensor

for UNI lock installation clamp K1389



Material:

Housing high-strength aluminium.

Version:

Black anodised

Sample order:

K1485.176

Note:

Feedback sensors are used together with installation clamps. They are fastened directly to the baseplate of the clamping station.

Including:

- 2x O-rings D8x1.5mm
- 2x M8x35mm cap screws
- 2x protective caps

Accessories:

Including

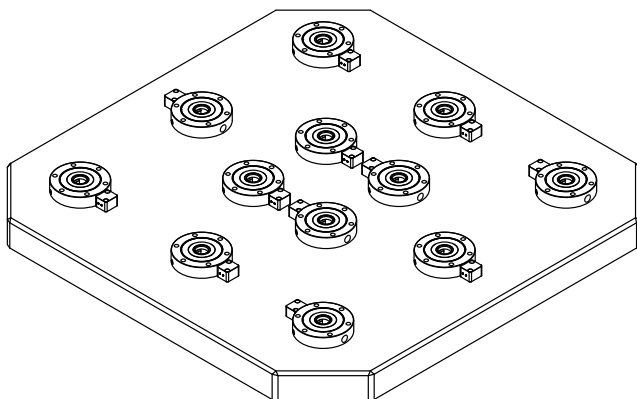
- 2x O-rings $\varnothing 8 \times 1,5 \text{ mm}$
- 2x cap screws M8x35mm
- 2x protective caps

Applications:

K1389.

Drawing reference:

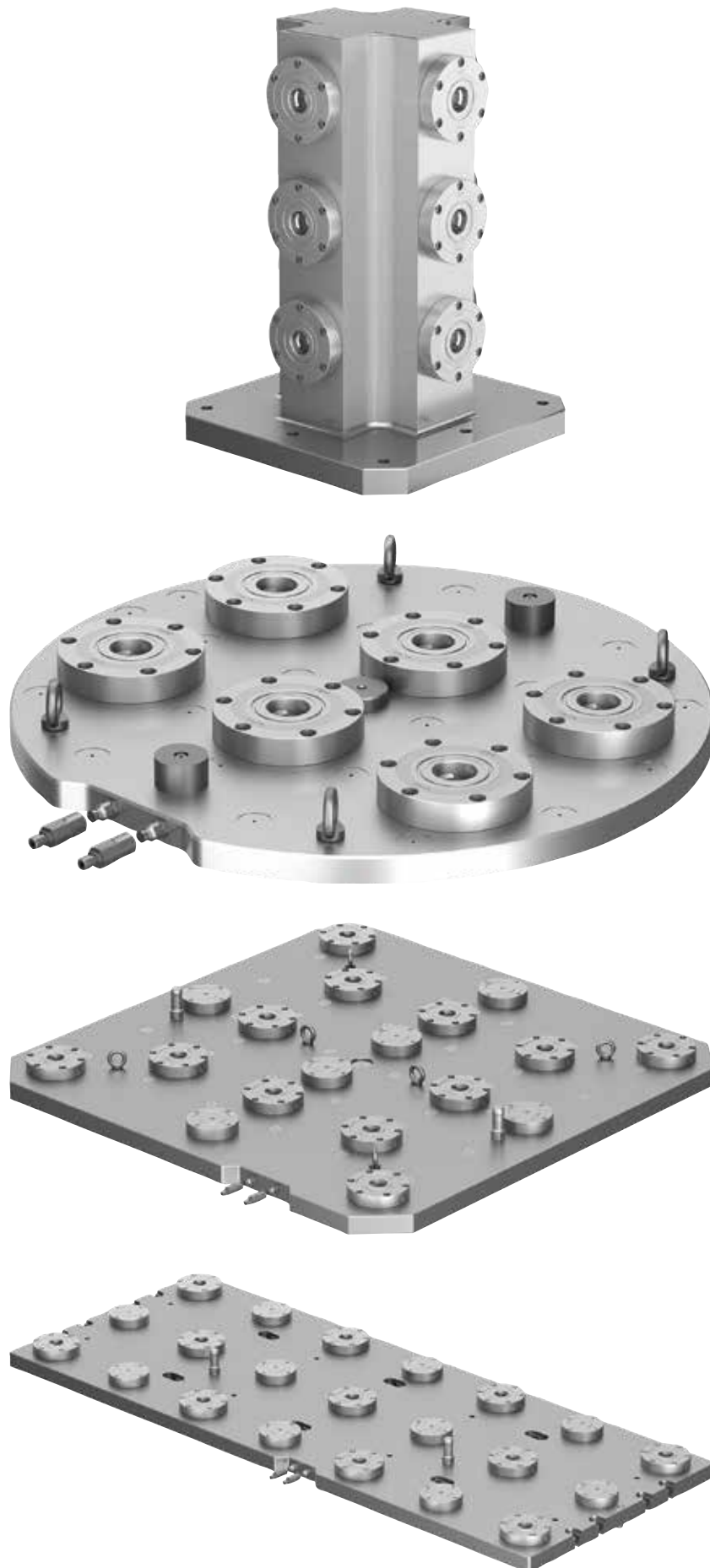
1) O-ring



KIPP Feedback sensor for UNI lock installation clamp

Order No.	Version
K1485.176	for installation clamp

Example



Example



5-axis module clamping system 80



Function



UNI lock was developed specifically for 5-side machining. Ideal for clamping complex workpiece's. They can then be machined completely in a single clamping operation. Even machining from the 6th side is possible. The workpiece's are connected to the 5-axis module system by a screw connection.

System size 80 mm

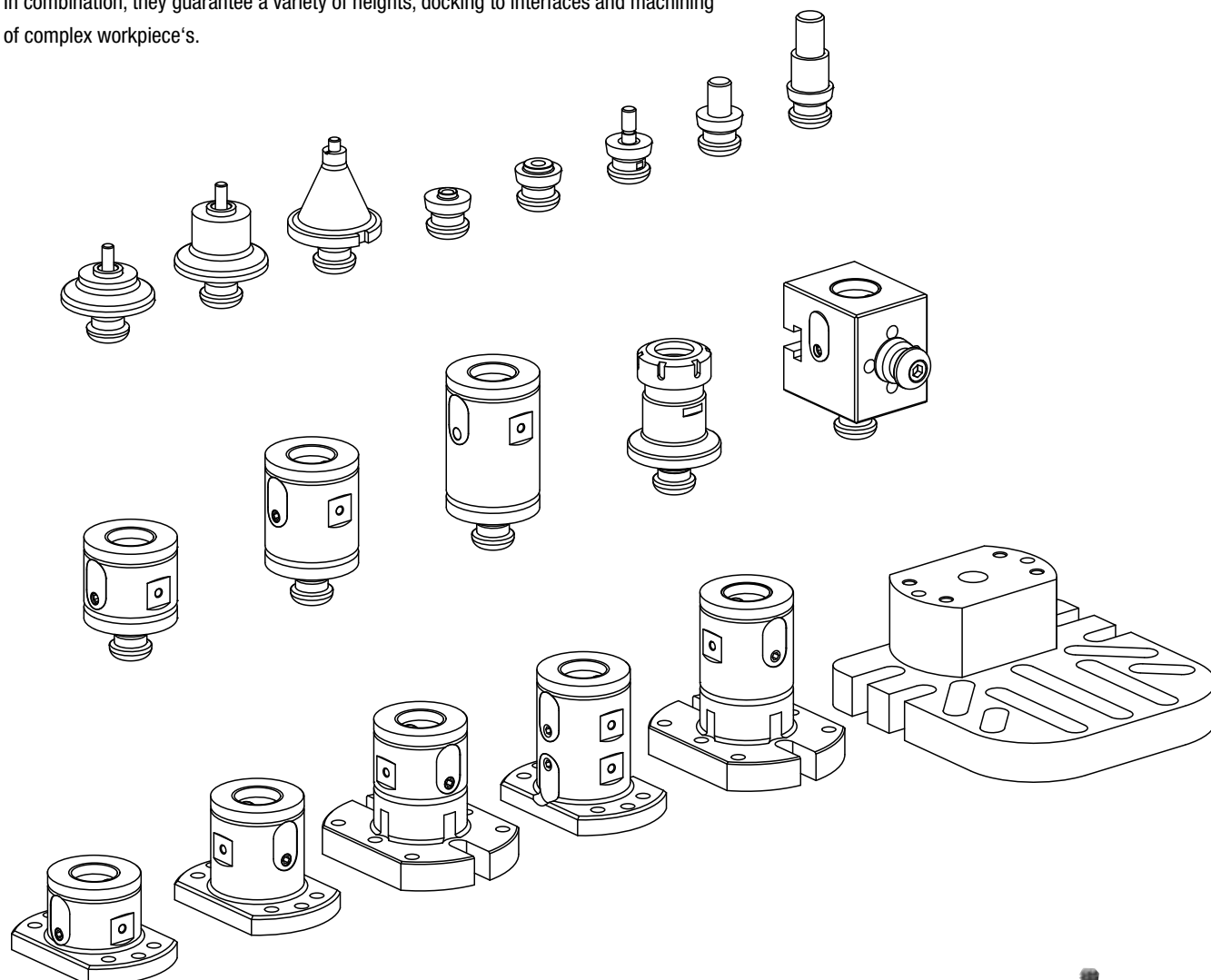


ADVANTAGES:

- 5-side machining with no protruding edges
- Modular construction guarantees maximum flexibility
- Interfaces with commonly used systems
- Variable workpiece fastening
- The workpiece is positively joined to the clamping system
- The workpiece is simply positioned with screws or seating's
- The zero point is transferred to the workpiece
- High module clamping force
- Very high repeat accuracy

Thanks to the modular construction and the variety of modules, the system can be configured individually and recombined for many applications.

More than 70 elements are available: basic modules, add-on modules and accessories.
In combination, they guarantee a variety of heights, docking to interfaces and machining
of complex workpiece's.



Flexible stack heights through a wide variety of basic and add-on clamp modules

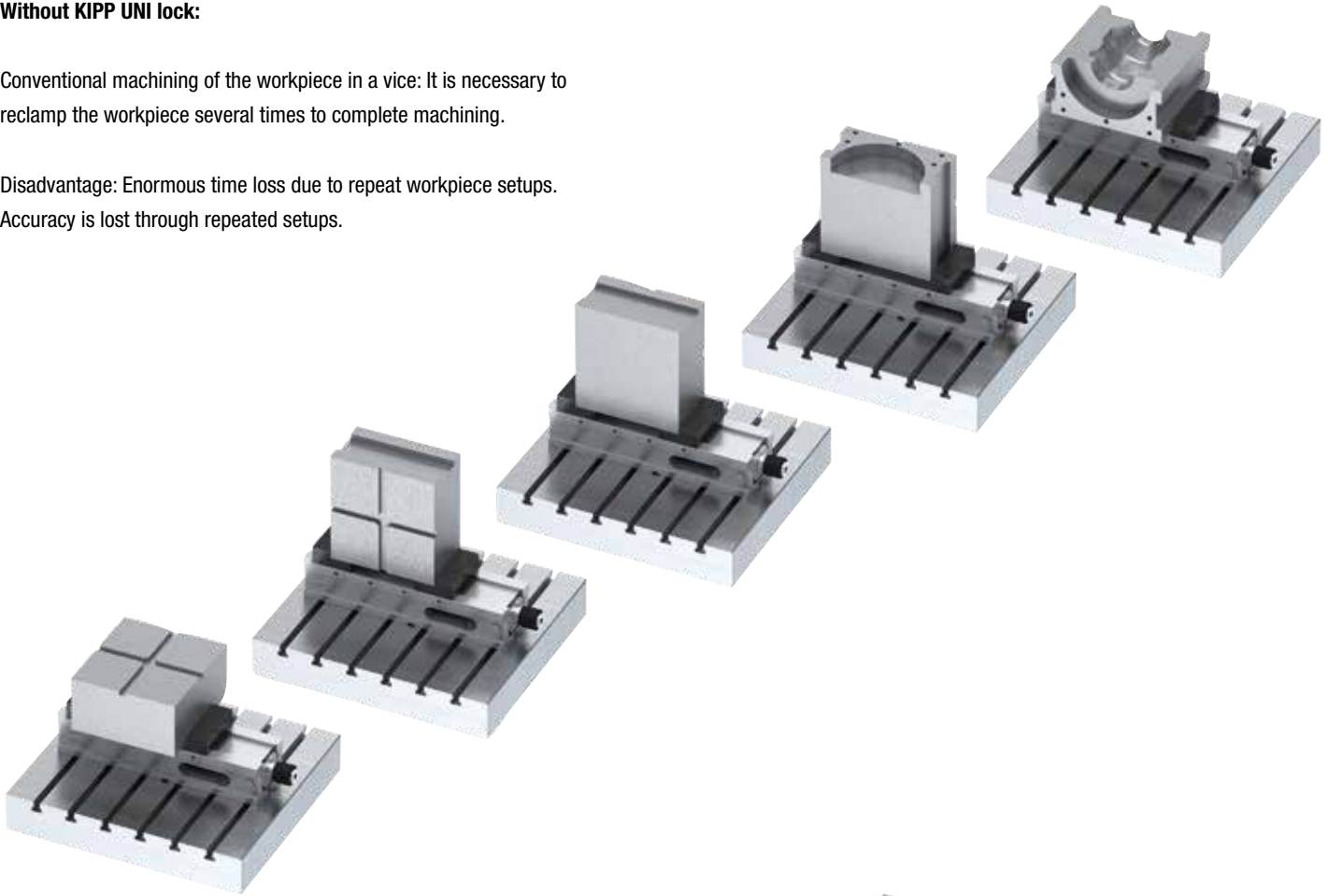
Setup times



Without KIPP UNI lock:

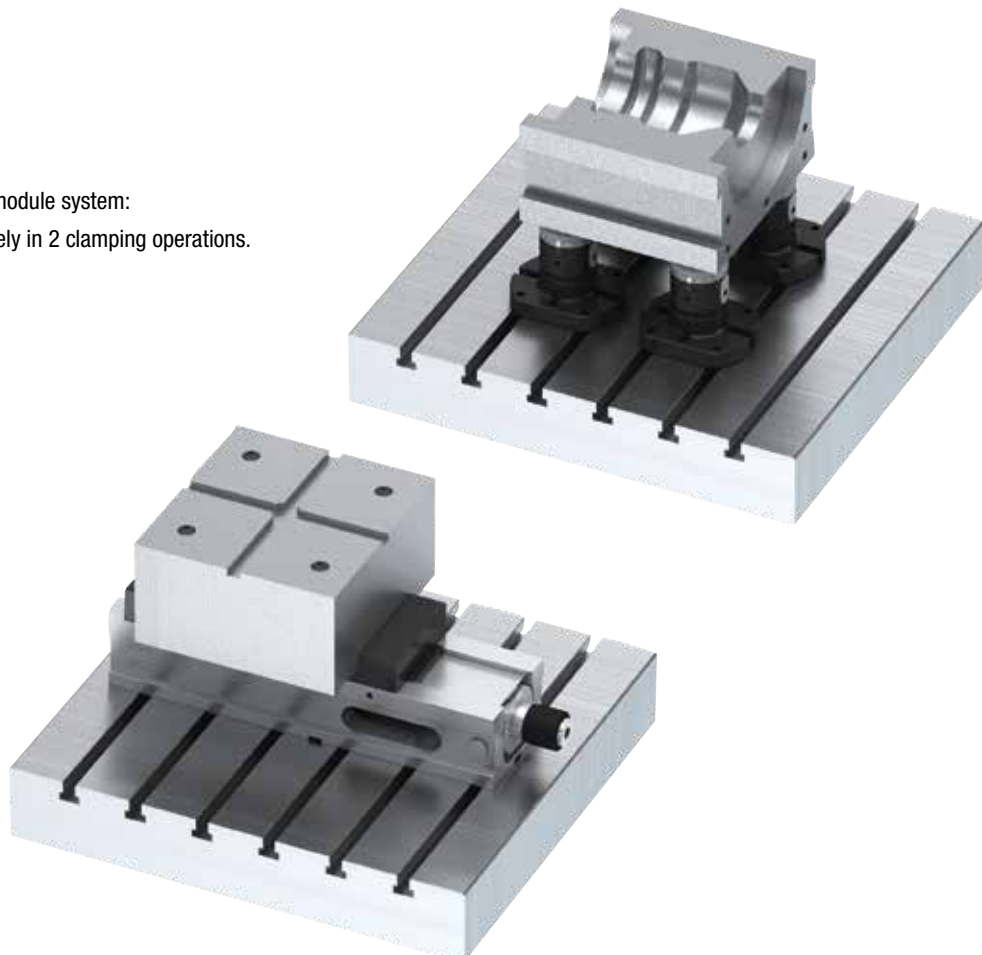
Conventional machining of the workpiece in a vice: It is necessary to reclamp the workpiece several times to complete machining.

Disadvantage: Enormous time loss due to repeat workpiece setups.
Accuracy is lost through repeated setups.



With KIPP UNI lock:

Machining with the UNI lock 5-axis module system:
The workpiece is machined completely in 2 clamping operations.



Interfaces



The 5-axis module system can be mounted on T slot tables, grid systems or directly to machine tables. Moreover, the basic modules can be adapted to most common zero-point clamping systems.

T-slot tables



Grid systems



Machine tables



Zero-point clamping systems



Forces

system size 80 mm



- Fr** Permissible transverse force
- Fa** Permissible clamping force
- Fd** Permissible contact force
- Fe** Clamping bolt pull-in force

Permissible load with full contact:

		Fr	Fa	Fd	Fe
Clamping pin screw M10	kN	25	35	50	25
Clamping pin screw M12	kN	25	50	50	25
Clamping pin screw M16	kN	25	75	50	25



Max. tightening torque 15 Nm (system size 80 mm)

Example



The workpiece is secured on one, two or more stable module columns. Additional columns can be added easily for large parts. The clamping system is actuated manually without the need for power sources and can be converted very quickly for other workpiece's or fixtures.

Assembling the modules is remarkably simple: position basic module (bolt on from above or below), place add-on clamp modules, position reducer adaptors with bolted-on workpiece and then use a torque wrench to tighten manually. The system is now stable and ready for 5-axis machining.



4 basic modules H=100 positioned directly on the machine table. The 4 reducers H=50 on top facilitate optimum access to workpieces.

Clamping height 150 mm

Example



KIPP basic module with collet adaptor mounted directly on a machine table with T-slots.

Clamping height 220 mm



Gearbox housing mounted on 3 basic modules, 3 add-on modules and 3 reducer adaptors. The cast housing is secured to the reducer adaptors by means of socket-head screws.

Clamping height 250 mm



4 double clamp basic modules positioned on a tooling plate. Optimum 5-side machining is possible.

Clamping height 125 mm



Solid workpiece mounted on 4 basic modules and 4 add-on modules.

Clamping height 150 mm



2 basic modules with a centring clamp adapted directly to a zero-point clamping system.

Clamping height 125 mm



Loading procedure for mounting a long and heavy workpiece on 3 basic modules. Clamp spigots are mounted directly on the workpiece. The workpiece is positioned during clamping.

Clamping height 100 mm



UNI lock 5-axis basic module

system size 80 mm

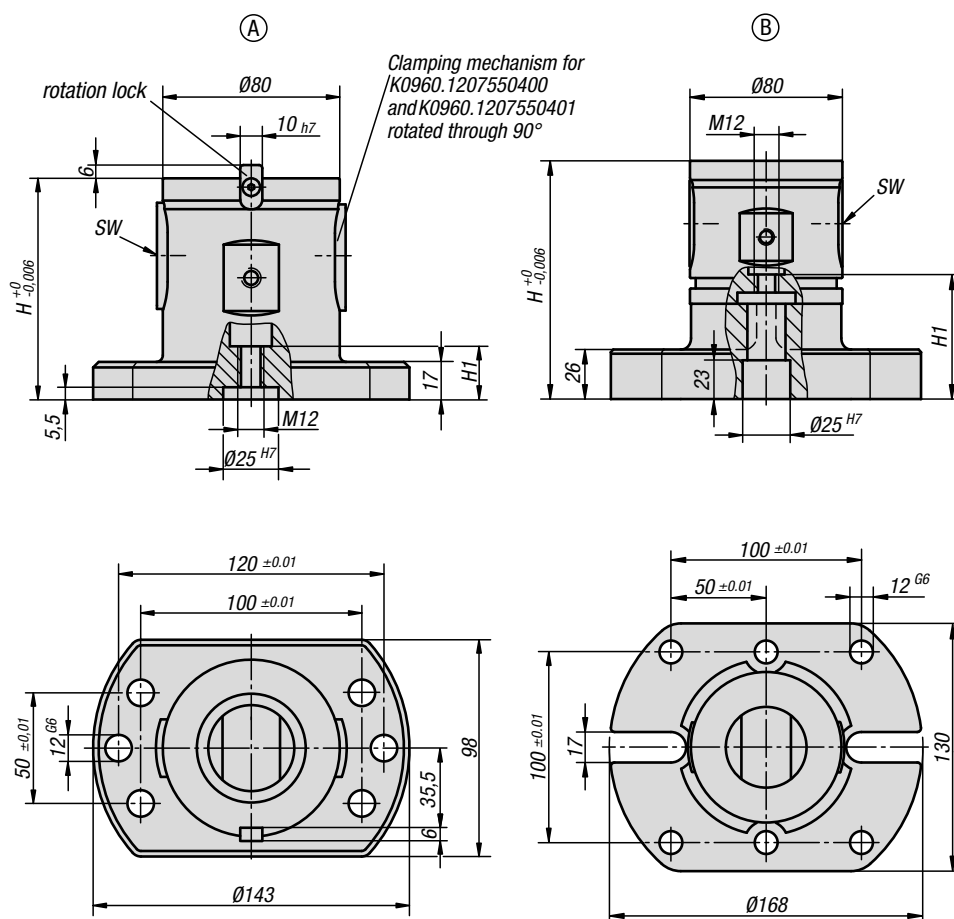


Material:
Steel.

Version:
Main body oxidised.
Contact faces case-hardened and ground.

Sample order:
K0960.1207550400

Note:
The UNI lock 5-axis basic module can be adapted directly to subplates with grid holes or T-slots or to tooling plates with hole pitch of 40/50 mm system size M12. Suitable for UNI lock zero point clamping system with UNI lock clamping bolts. Can also be used on the conventional zero point clamping systems by mounting an appropriate adapter clamping bolt.



KIPP UNI lock 5-axis basic module

Order No.	Form	Version	H	H1	SW	Holding force F kN	Tightening torque max. Nm	weight kg
K0960.1207550400	A	without rotation lock	75	18,5	6	50	15	3,64
K0960.1207550401	A	with rotation lock	75	18,5	6	50	15	3,65
K0960.1210050400	A	without rotation lock	100	24	6	50	15	4,6
K0960.1210050401	A	with rotation lock	100	24	6	50	15	4,601
K0960.12125500	B	-	125	68,5	6	50	15	6,8
K0960.12150500	B	-	150	74	6	50	15	7,8

UNI lock 5-axis basic module double clamp

size 80 mm



Material:

Steel.

Version:

Main body oxidised.

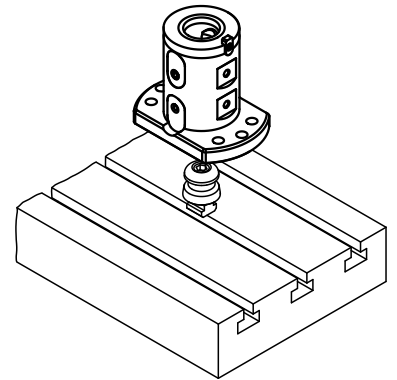
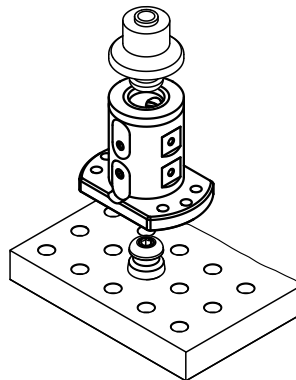
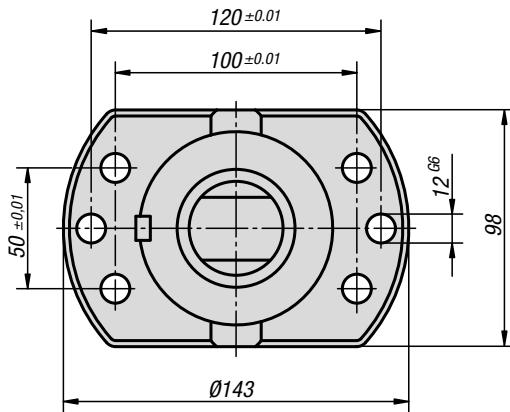
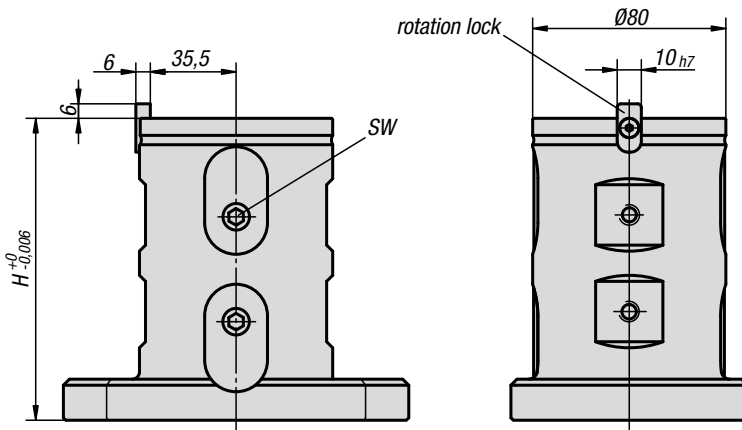
Contact faces case-hardened and ground.

Sample order:

K0961.1212550400

Note:

The UNI lock 5-axis basic module can be adapted directly to subplates with grid holes or T-slots or to tooling plates with hole pitch of 40/50 mm system size M12. Suitable for UNI lock zero point clamping system with UNI lock clamping bolts. Can also be used on the conventional zero point clamping systems by mounting an appropriate adapter clamping bolt.

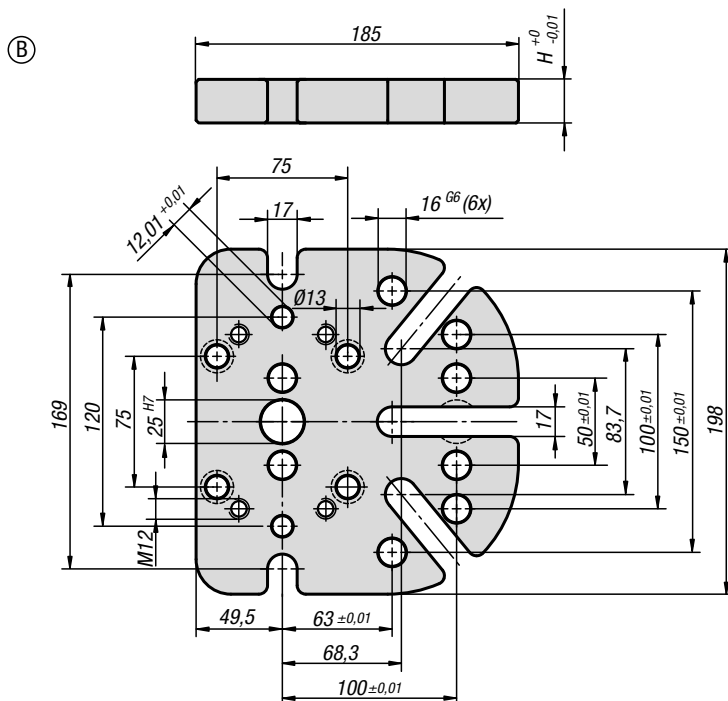
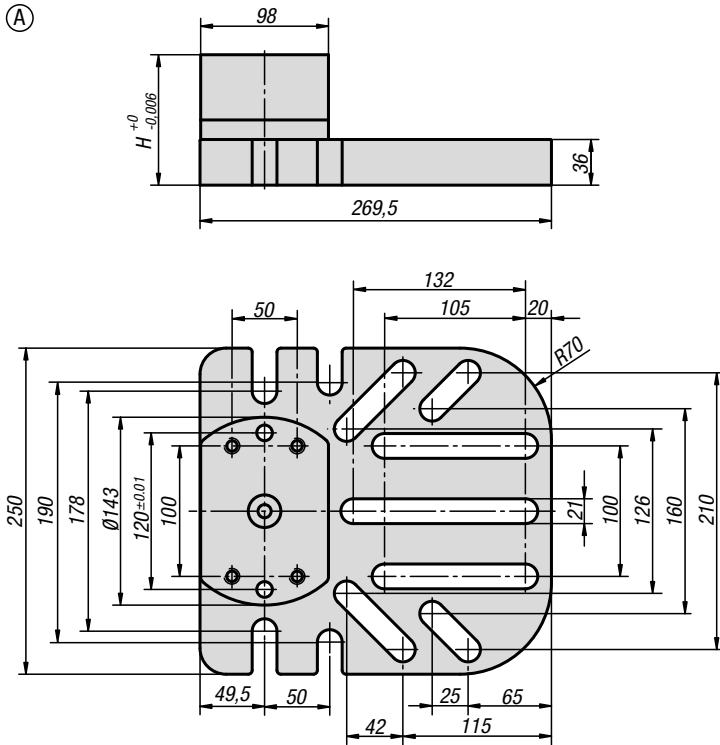


KIPP UNI lock 5-axis basic module double clamp

Order No.	Version	H	SW	Holding force F kN	Tightening torque max. Nm	weight kg
K0961.1212550400	without rotation lock	125	6	50	15	4,96
K0961.1212550401	with rotation lock	125	6	50	15	5,2

UNI lock 5-axis base plate

for general clamping, system size 80 mm



Material:

Steel.

Version:

Main body oxidised.

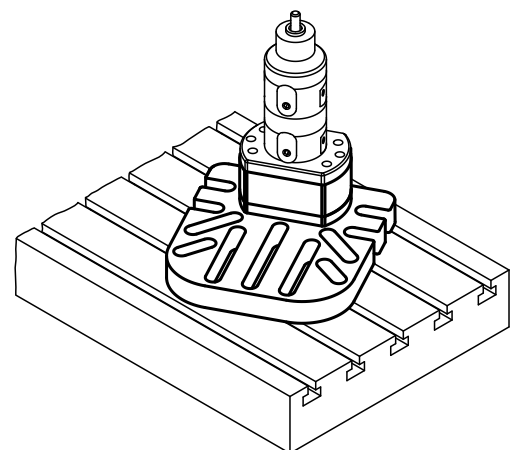
Contact faces case-hardened and ground.

Sample order:

K0962.25027005021

Note:

The UNI lock 5-axis base plates for general clamping are adapted directly to subplates with grid holes or T-slots or tooling plates. Due to their sturdy construction, these risers are ideal as base elements for large and heavy workpieces. The layout of the fastening keyways allows for a flexible adjustment to the workpiece.

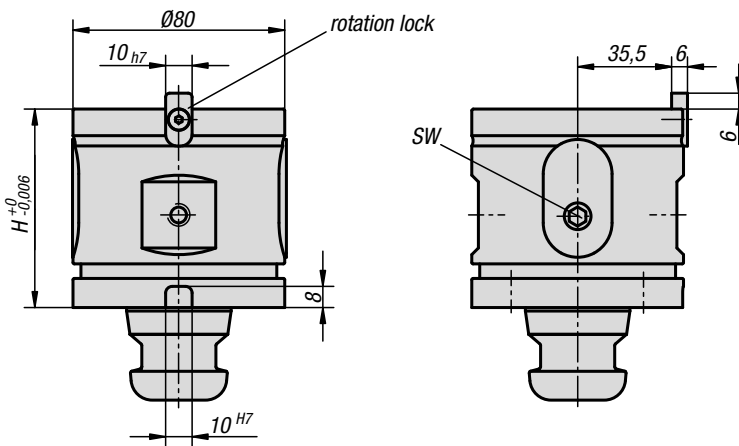


KIPP UNI lock 5-axis base plate for general clamping

Order No.	Form	H	weight kg
K0962.25027005021	A	50	14,7
K0962.25027010021	A	100	19,4
K0962.25027012521	A	125	22,1
K0962.19818502516	B	25	5

UNI lock 5-axis add-on clamping module

size 80 mm



Material:

Steel.

Version:

Main body oxidised.

Contact faces case-hardened and ground.

Sample order:

K0963.120750

Note:

The UNI lock 5-axis add-on modules are used for raising basic modules and mounting base. Depending on the clamping situation, optimum assembly height can be achieved using a combination of the basic module and add-on module.

KIPP UNI lock 5-axis add-on clamping module

Order No.	Version	H	SW	Holding force F kN	Tightening torque max. Nm	weight kg
K0963.120750	without rotation lock	75	6	50	15	2,64
K0963.120751	with rotation lock	75	6	50	15	2,85
K0963.121000	without rotation lock	100	6	50	15	3,78
K0963.121250	without rotation lock	125	6	50	15	4,625

UNI lock 5-axis collet adapter

size 80 mm

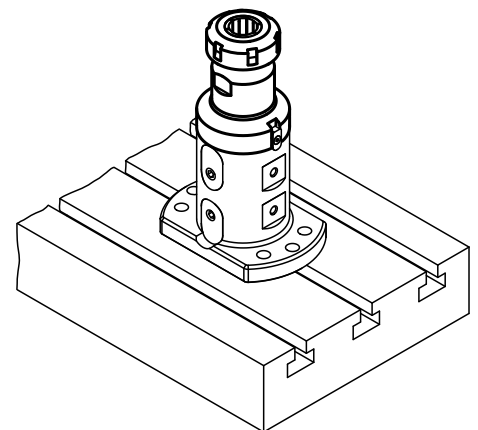
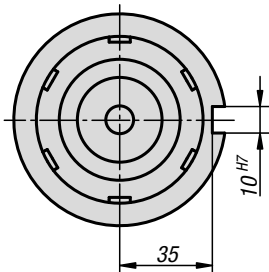
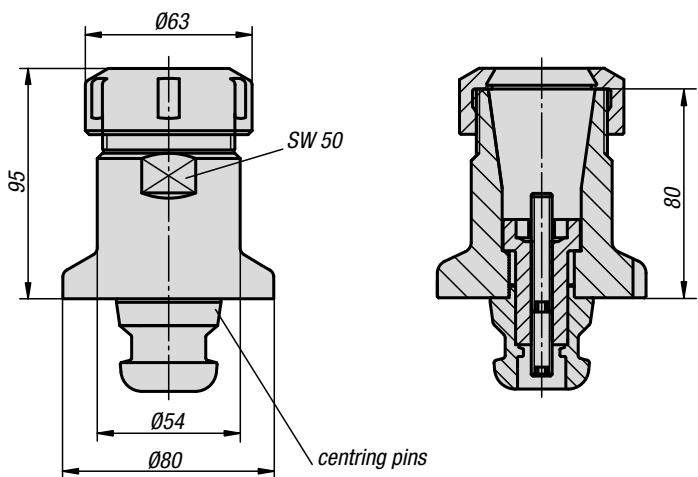


Material:
Steel.

Version:
Main body oxidised.
Contact faces case-hardened and ground.

Sample order:
K0964.25080

Note:
The UNI lock 5-axis collet adapter is suitable for clamping round workpieces. Standard collets with the ER 40 designation can be used. Clamping up to $D=26$ mm. Supplied with adjustable length stop but without collets. The collet adapters can be directly mounted on the basic module with rotation lock or on the add-on module H 75 mm with rotation lock.



KIPP UNI lock 5-axis collet adapter

Order No.

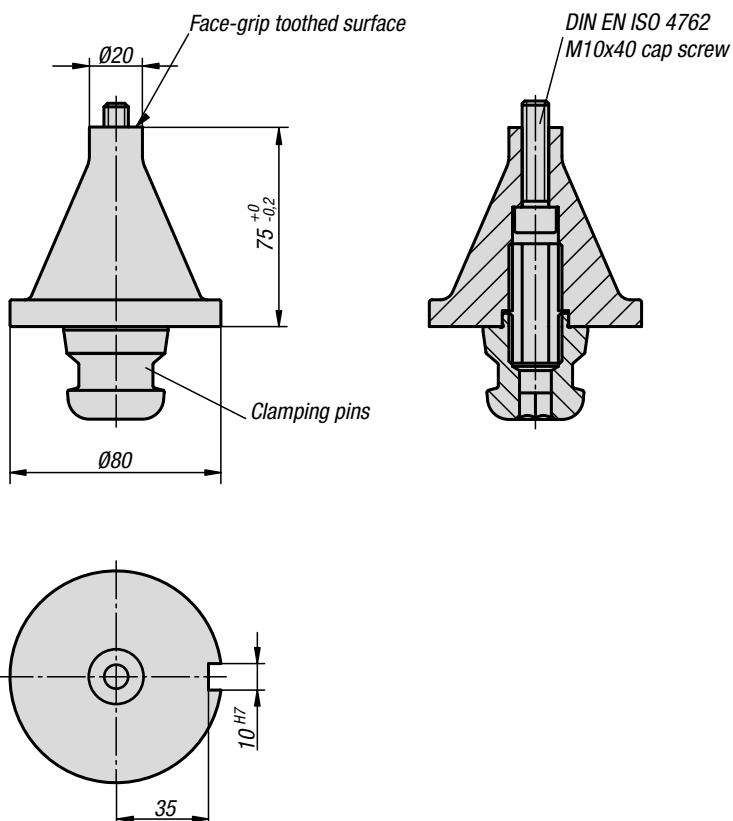
Dimensions

K0964.25080

see drawing

UNI lock 5-axis face-grip adapter

size 80 mm

**Material:**

Steel.

Version:

Main body oxidised.

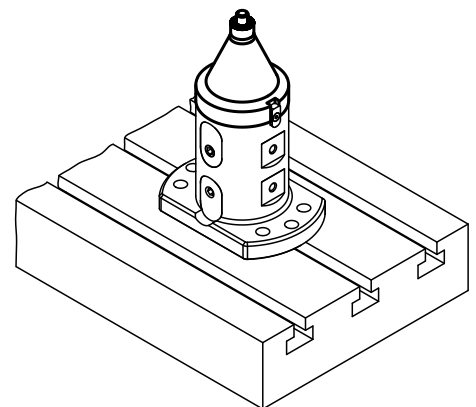
Contact faces case-hardened and ground.

Sample order:

K0965.2007510

Note:

The UNI lock 5-axis face-grip adapters are suitable for clamping workpieces, which must be machined on all sides. The workpieces are freely accessible without interfering edges from the clamping elements. The workpieces are attached from below using a socket head screw to pull them onto the face-grip toothed surface. The face-grip adapters can be directly mounted on the basic module with rotation lock or on the add-on module H 75 mm with rotation lock.



KIPP UNI lock 5-axis face-grip adapter

Order No.

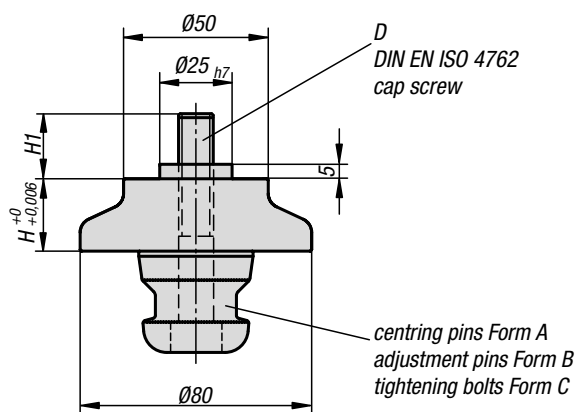
Dimensions




K0965.2007510

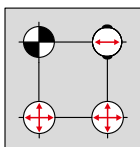
see drawing

UNI lock 5-axis reducer adapter

size 80 mm



-  Centring pins = Form A fixes in x and y axis (reference point)
-  Adjustment pins = Form B fixes the free axis (bayonet pin)
-  Tightening bolts = Form C Pins with undersize (no centring function, clamping only)



Material:

Steel.

Version:

Main body oxidised.

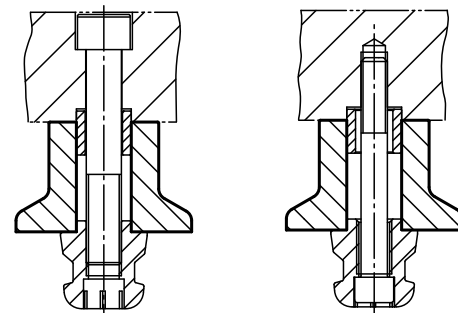
Contact faces case-hardened and ground.

Sample order:

K0966.501120

Note:

The UNI lock 5-axis reducer adapter is suitable for clamping and positioning workpieces. Reducer adapters can be screwed onto the workpiece and mounted on the basic module or add-on module. Reducer adapters are available as hard and soft versions. With the soft version any interfering edges on the adapter that project over the workpiece can be milled off.

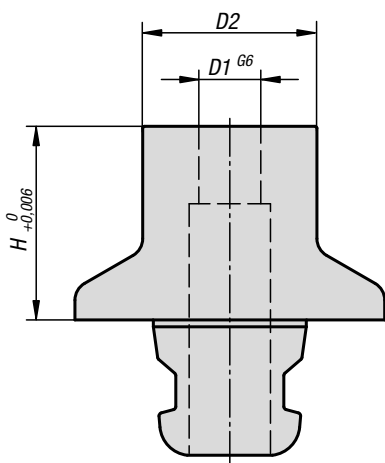


KIPP UNI lock 5-axis reducer adapter

Order No. soft	Order No. hard	Form	D	H	H1
K0966.251100	K0966.251101	A	M10 x 75	25	25,5
K0966.252100	K0966.252101	B	M10 x 75	25	25,5
K0966.253100	K0966.253101	C	M10 x 75	25	25,5
K0966.501100	K0966.501101	A	M10 x 100	50	25,5
K0966.502100	K0966.502101	B	M10 x 100	50	25,5
K0966.503100	K0966.503101	C	M10 x 100	50	25,5
K0966.251120	K0966.251121	A	M12 x 75	25	27,5
K0966.252120	K0966.252121	B	M12 x 75	25	27,5
K0966.253120	K0966.253121	C	M12 x 75	25	27,5
K0966.501120	K0966.501121	A	M12 x 100	50	27,5
K0966.502120	K0966.502121	B	M12 x 100	50	27,5
K0966.503120	K0966.503121	C	M12 x 100	50	27,5

UNI lock 5-axis reducer adapter

size 80 mm



Material:

Steel.

Version:

Body oxidised.

Contact surfaces case-hardened and ground.

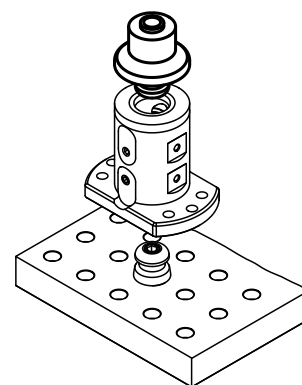
Sample order:

K0966.5011611

Note:

The UNI lock 5-axis reducer adapters are suitable for clamping and positioning workpieces.

The workpiece is positioned and screwed to the reducer adapter using the UNI lock shoulder screw for workpiece fastening.



KIPP UNI lock 5-axis reducer adapter

Order No.	D1	D2	H
K0966.5011211	12	40	50
K0966.5011611	16	40	50

Angle clamp adapters

size 80 mm



Material:

Steel.

Version:

Main body oxidised.

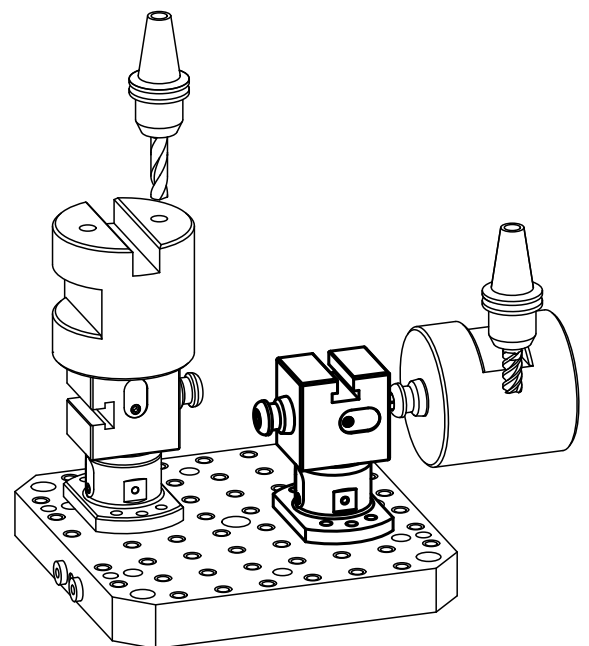
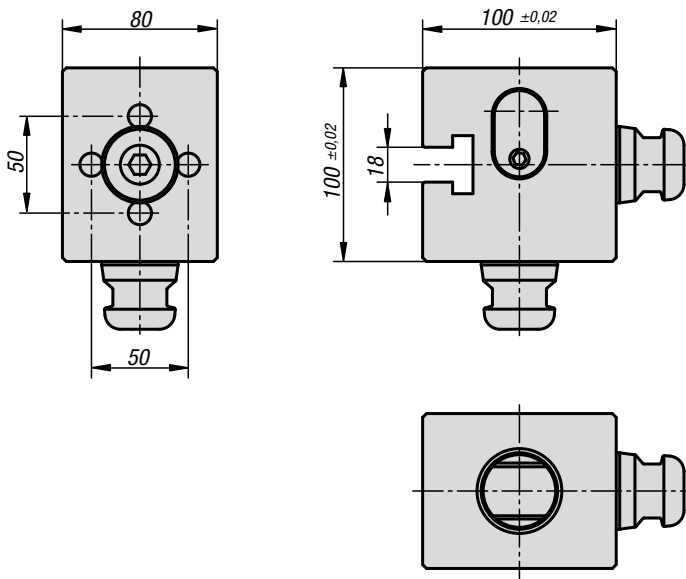
Contact faces case-hardened and ground.

Sample order:

K1013.100100080

Note:

The angle clamp adapter can be used to process workpieces in different processing levels. In doing so, the workpiece stays mounted on the angle clamping adapter.

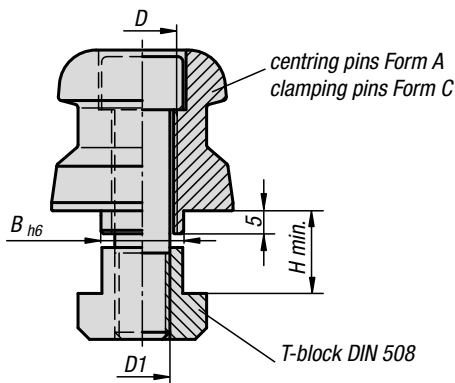


KIPP Angle clamping adapter

Order No.	Dimensions	weight kg
K1013.100100080	see drawing	7,2

UNI lock T-slot centring clamp bolt

size 80 mm



Material:

Steel.

Version:

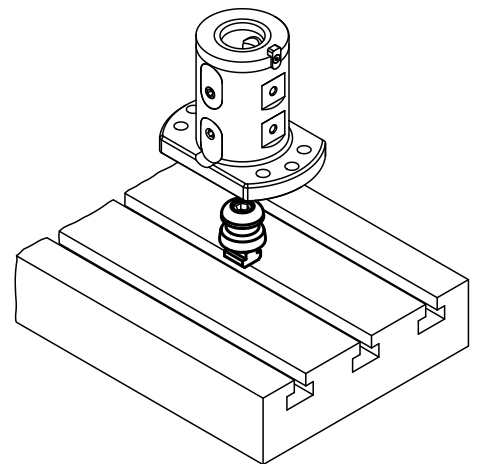
Hardened and black oxidised.
Contact faces ground.

Sample order:

K0969.114

Note:

The UNI lock T-slot centring clamp bolt is suitable for clamping and positioning the basic module with double manual clamping. T-slot centring clamp bolts are positioned and fastened on the T-slot machine table.

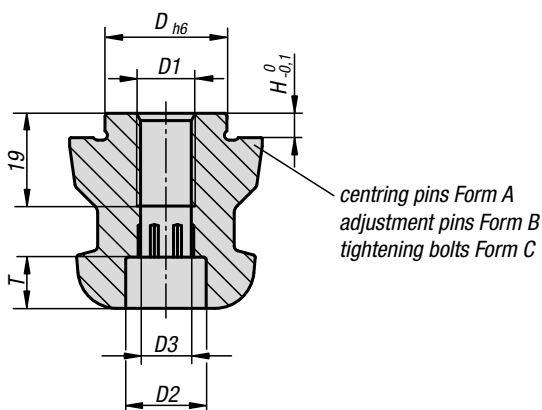
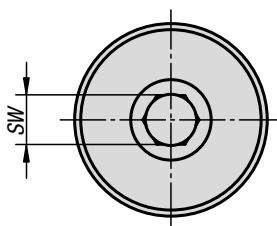


KIPP UNI lock T-slot centring clamp bolt

Order No.	Form	D	D1	B	H min.
K0969.114	A	M12	M10	14	14
K0969.118	A	M16	M12	18	18
K0969.122	A	M16	M12	22	22
K0969.314	C	M12	M10	14	14
K0969.318	C	M16	M12	18	18
K0969.322	C	M16	M12	22	22

UNI lock clamping pin

size 80 mm



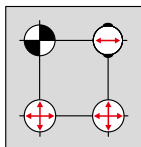
Material:
Steel.

Version:
Hardened and black oxidised.
Contact faces ground.

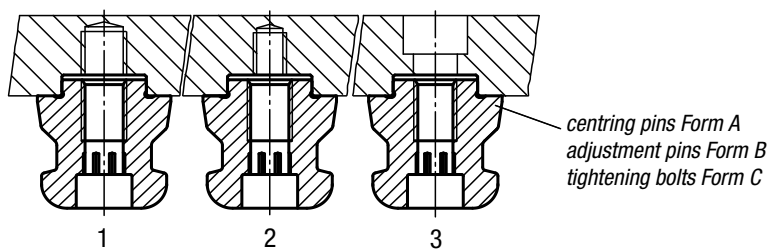
Sample order:
K0967.140160512

Note:
The UNI lock clamping pin is suitable for clamping and positioning workpieces and fixtures. Clamping pins are screwed onto the exchange element and adapted to the various basic modules.

- Centring pins = Form A fixes in x and y axis (reference point)
- Adjustment pins = Form B fixes the free axis (bayonet pin)
- Tightening bolts = Form C Pins with undersize (no centring function, clamping only)



- 1 = fastening with grub screw DIN 913
- 2 = fastening with DIN 912 screw through the tightening bolt
- 3 = fastening with DIN 912 screw through the fixture or workpiece

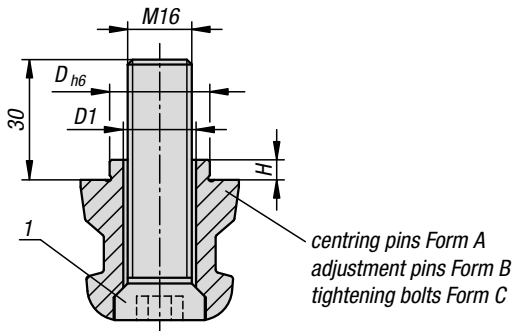





KIPP UNI lock clamping pin

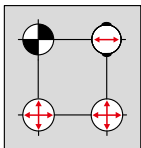
Order No. A	Order No. B	Order No. C	D	D1	D2	D3	H	T	SW
K0967.140160512	K0967.240160512	K0967.340160512	16	M12	16,5	10,3	5	10,5	10
K0967.140180512	K0967.240180512	K0967.340180512	18	M12	16,5	10,3	5	10,5	10
K0967.140200512	K0967.240200512	K0967.340200512	20	M12	16,5	10,3	5	10,5	10
K0967.140220516	K0967.240220516	K0967.340220516	22	M16	18,5	14,2	5	12,5	17
K0967.140240516	K0967.240240516	K0967.340240516	24	M16	18,5	14,2	5	12,5	17
K0967.140250512	K0967.240250512	K0967.340250512	25	M12	16,5	10,3	5	10,5	10
K0967.140250516	K0967.240250516	K0967.340250516	25	M16	18,5	14,2	5	12,5	17
K0967.140251012	K0967.240251012	K0967.340251012	25	M12	16,5	10,3	10	10,5	10
K0967.140251016	K0967.240251016	K0967.340251016	25	M16	18,5	14,2	10	12,5	17

UNI lock clamping pin

with through hole system size 80 mm



-  Centring pins = Form A fixes in x and y axis (reference point)
-  Adjustment pins = Form B fixes the free axis (bayonet pin)
-  Tightening bolts = Form C Pins with undersize (no centring function, clamping only)



Material:

Steel.

Version:

Hardened and black oxidised.

Contact faces ground.

Swivel fastening screw M16x65, tempered and black oxidised.

Sample order:

K1471.140250516

Note:

The UNI lock clamping pint is suitable for clamping and positioning workpieces and fixtures. Clamping pins are screwed onto the exchange element and adapted to the various basic modules.

Drawing reference:

1) Swivel fastening screw M16x65.

KIPP UNI lock clamping pin with through hole

Order No.	Form	D	D1	H
K1471.140250516	A	25	16,5	5
K1471.240250516	B	25	16,5	5
K1471.340250516	C	25	16,5	5

UNI lock clamping pin

one-piece size 80 mm



Material:

Steel.

Version:

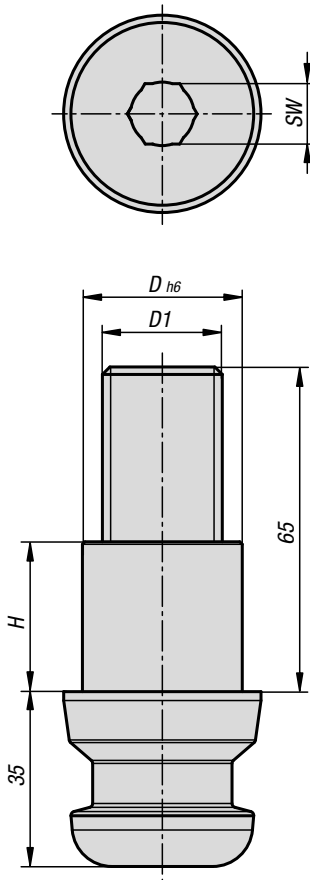
Hardened and black oxidised.
Contact faces ground.

Sample order:

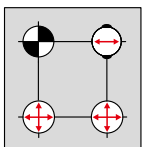
K0967.140323024

Note:

The UNI lock clamping pin is suitable for clamping and positioning workpieces and fixtures. Clamping pins are screwed onto the exchange element and adapted to the various basic modules.



- Centring pins = Form A fixes in x and y axis (reference point)
- Adjustment pins = Form B fixes the free axis (bayonet pin)
- Tightening bolts = Form C Pins with undersize (no centring function, clamping only)

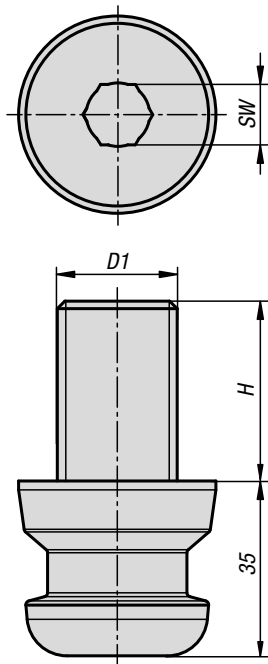


KIPP UNI lock clamping pin, one-piece

Order No.	Form	D1	D	H	SW
K0967.140323024	A	M24	32	30	17
K0967.240323024	B	M24	32	30	17
K0967.340323024	C	M24	32	30	17

UNI lock clamping pin

with threaded pin size 80 mm



Material:

Steel.

Version:




Hardened and black oxidised.
Contact faces ground.

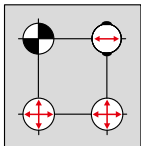
Sample order:

K0967.140003020

Note:

The UNI lock clamping pin is suitable for clamping and positioning workpieces and fixtures. Clamping pins are screwed onto the exchange element and adapted to the various basic modules.

-  Centring pins = Form A fixes in x and y axis (reference point)
-  Adjustment pins = Form B fixes the free axis (bayonet pin)
-  Tightening bolts = Form C Pins with undersize (no centring function, clamping only)

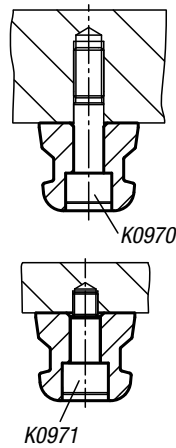
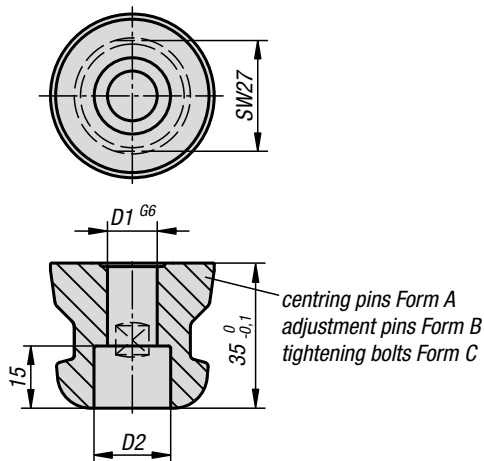


KIPP UNI lock clamping pin with threaded pin

Order No.	Form	D1	H	SW
K0967.140002416	A	M16	24	17
K0967.140003020	A	M20	30	17
K0967.140003624	A	M24	36	17

UNI lock clamping bolts

for fastening to workpieces size 80 mm



Material:
Steel.

Version:
Hardened and black oxidised.
Contact faces ground.

Sample order:
K0968.12

Note:
The UNI lock clamping bolt is suitable for clamping and positioning the workpiece. Clamping bolts are screwed onto the workpiece and positioned on the basic module or add-on module. Using the locating bolts (K0970, K0971), the clamping bolts are screwed onto the workpiece.

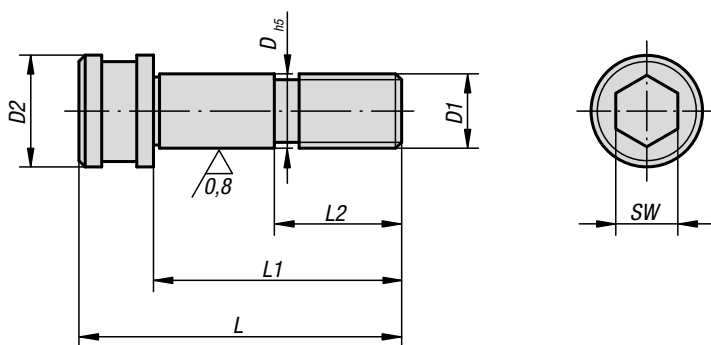
KIPP UNI lock clamping bolts for fastening to workpieces

Order No.	Form	D1	D2
K0968.12	A	12	18,4
K0968.16	A	16	21,1
K0968.212	B	12	18,4
K0968.216	B	16	21,1
K0968.312	C	12	18,4
K0968.316	C	16	21,1

K0970

UNI lock 5-axis shoulder screws

size 80 mm



Material:
Carbon steel.

Version:
Hardened surface.
ground locating seat.

Sample order:
K0970.12050

Note:
The UNI lock 5-axis locating bolts are suitable for clamping and positioning the clamping bolts for fastening to workpieces. They are also used for positioning and fastening the basic module.

KIPP UNI lock 5-axis shoulder screws

Order No.	D	D1	D2	L	L1	L2	SW
K0970.12050	12	M12	18	62	50	22	10
K0970.16055	16	M16	24	71	55	25	14

UNI lock 5-axis shoulder screws

for fastening to workpieces size 80 mm

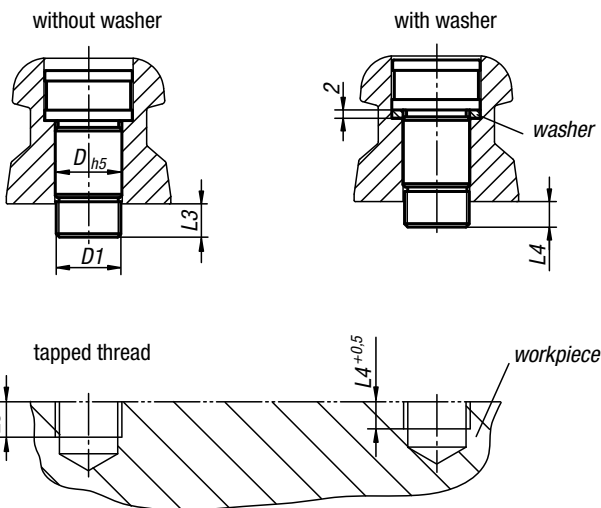
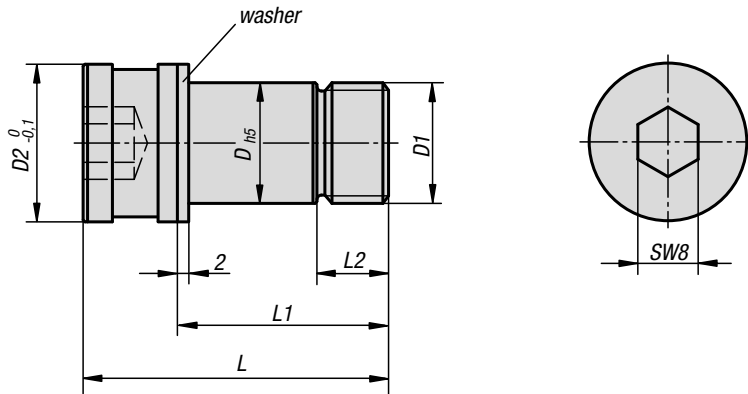


Material:
Carbon steel.

Version:
Hardened surface.
ground locating seat.

Sample order:
K0971.1210040

Note:
The UNI lock 5-axis locating bolts for fastening to workpieces are suitable for clamping and positioning workpieces. These locating bolts are passed through the clamping bolts for fastening to workpieces, screwed directly into the workpiece and positioned on the basic module or add-on module. The thread is used for fastening and positioning the workpiece.



KIPP UNI lock 5-axis shoulder screws for screwing clamping bolt to workpiece

Order No.	Version	D	D1	D2	L	L1	L2	L3	L4
K0971.1210040	with washer	12	M10x1,25	18	40,5	28	9,5	8	6
K0971.12101040	with washer	12	M10x1,5	18	40,5	28	9,5	8	6
K0971.1212040	with washer	12	M12x1,25	18	40,5	28	9,5	8	6
K0971.12121040	with washer	12	M12x1,75	18	40,5	28	9,5	8	6
K0971.1612040	with washer	16	M12x1,25	20,9	40,5	28	9,5	8	6
K0971.16121040	with washer	16	M12x1,75	20,9	40,5	28	9,5	8	6
K0971.16121049	without washer	16	M12x1,75	20,9	50	37,5	18	17,5	15,5
K0971.1616040	with washer	16	M16x1,25	20,9	40,5	28	9,5	8	6
K0971.16161040	with washer	16	M16x2	20,9	40,5	28	9,5	8	6
K0971.16161055	without washer	16	M16x2	20,9	56	43,5	24	23,5	21,5
K0971.16161067	without washer	16	M16x2	20,9	67,5	55	25	35	33

Centring clamping bolts

size 80 mm



Material:

Steel.

Version:

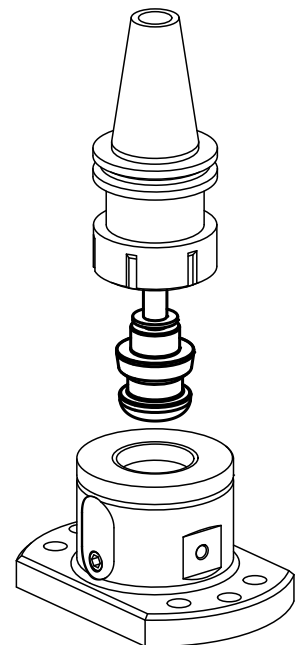
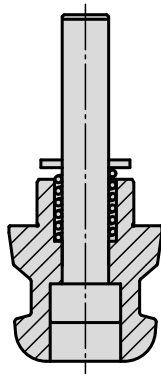
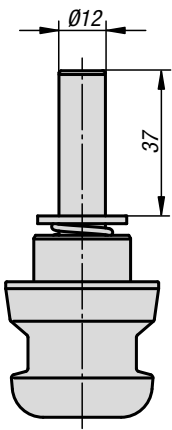
Hardened and black oxidised.
Contact faces ground.

Sample order:

K1012.1240

Note:

The centering clamping bolt can be used to position basic modules on machine tables. Centring clamping bolts can be clamped in collet holders. The position of the module is defined via the machine's spindle/control unit.

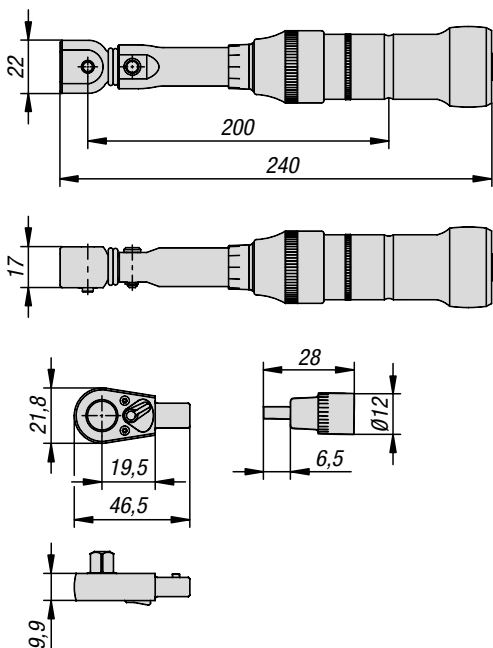


KIPP Centring clamping bolt

Order No.	Dimensions
K1012.1240	see drawing

Torque wrench

for 5-axis module clamping system



Plug-in reversible ratchet
Screwdriver insert SW4
Screwdriver insert SW6
Screwdriver insert SW8

Functional principle:

Operating principle of torque wrench handles

- To unlock, pull handle back approximately 8 mm.
- Continue to turn handle up to the desired torque.
- Then turn the handle back a bit to lock it.

Suitable for:

- 5-axis module clamping system 80
- 5-axis module clamping system 50
- 5-axis module clamping system 138



Material:

Steel.

Version:

Surface: hard chromed

Sample order:

K1488.01

Note:

Torque wrench 2-40 set:

- Release precision +/- 2% of the scale value (in direction of actuation)
- High-precision premium metrology instrument – for highest demands
- Robust and tough hard chrome-plated steel construction in a slim model
- Secure: - haptic (shortcut release)
- acoustic (buckling element)
- User-friendly reversible ratchet.
- Service-friendly (ratchet repair sets for customer-oriented self-assembly)
- Integrated switch lever
- Setting of the desired torque value fast and securely through turning of the handle
- Twist knob for additional locking of the setting
- Ergonomically shaped handle with collar reduces danger of slipping or injury
- Exact, fine scale gradation
- With serial number and calibration certificate
- Hard chrome-plated surface
- DIN EN ISO 6789-2:2017, square acc. to DIN 3120, ISO 1174-1

Details of plug-in reversible ratchet:

- 20 teeth, max. 40Nm
- Output 6.3 = 1/4 inch
- Square acc. to DIN 3120, ISO 1174-1
- Drop forged
- Chromed surface

Note for plug-in reversible ratchet:

Through fast insertion of the plug-in reversible ratchet into the torque wrench, the precision of 2% in both directions can be guaranteed.

Screwdriver bit:

- Surface TiN
- DIN 7422
- Square 1/4 inch
- Suitable for reversible ratchet

Recommendation:

Annual check interval for torque wrenches, in which the upper limit is 5,000 load cycles.

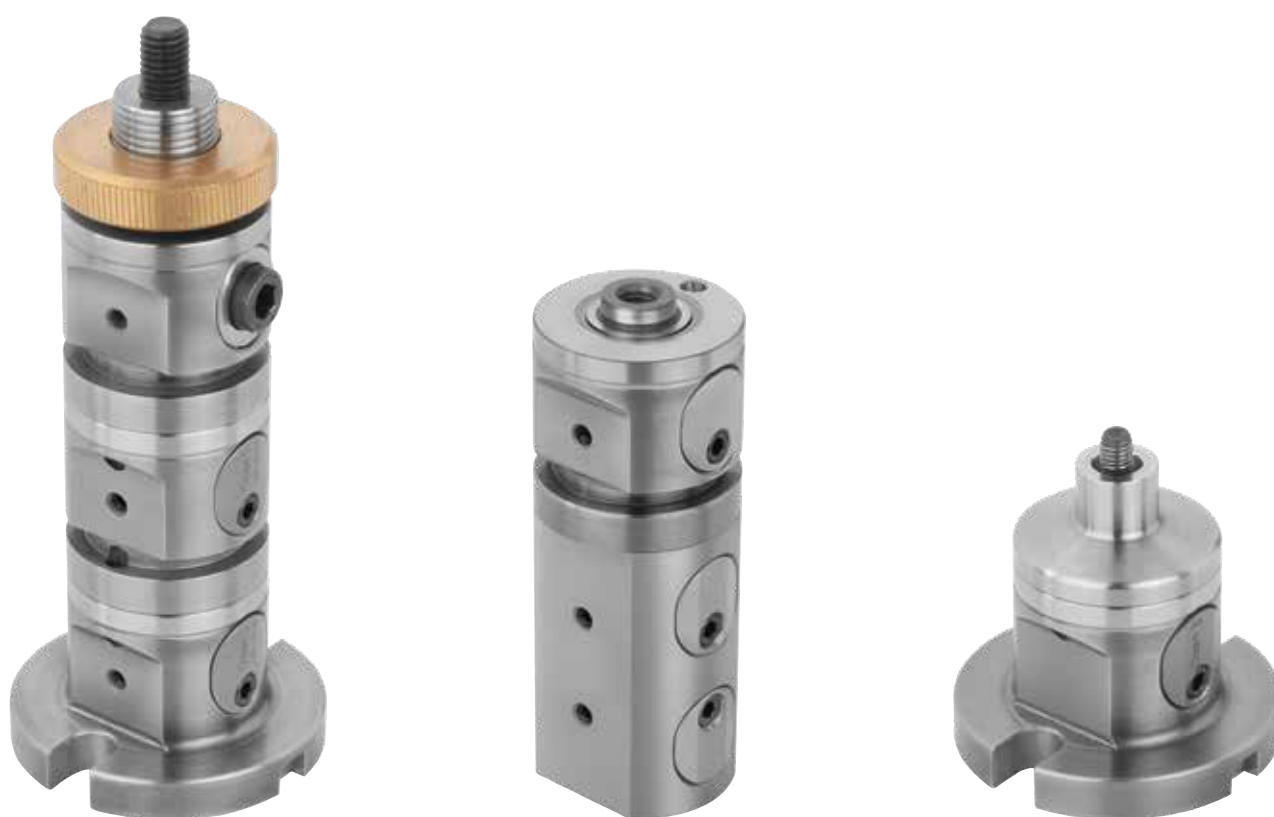
Supplied with:

Set comprising:
Torque wrench

KIPP Torque wrench for 5-axis module clamping system

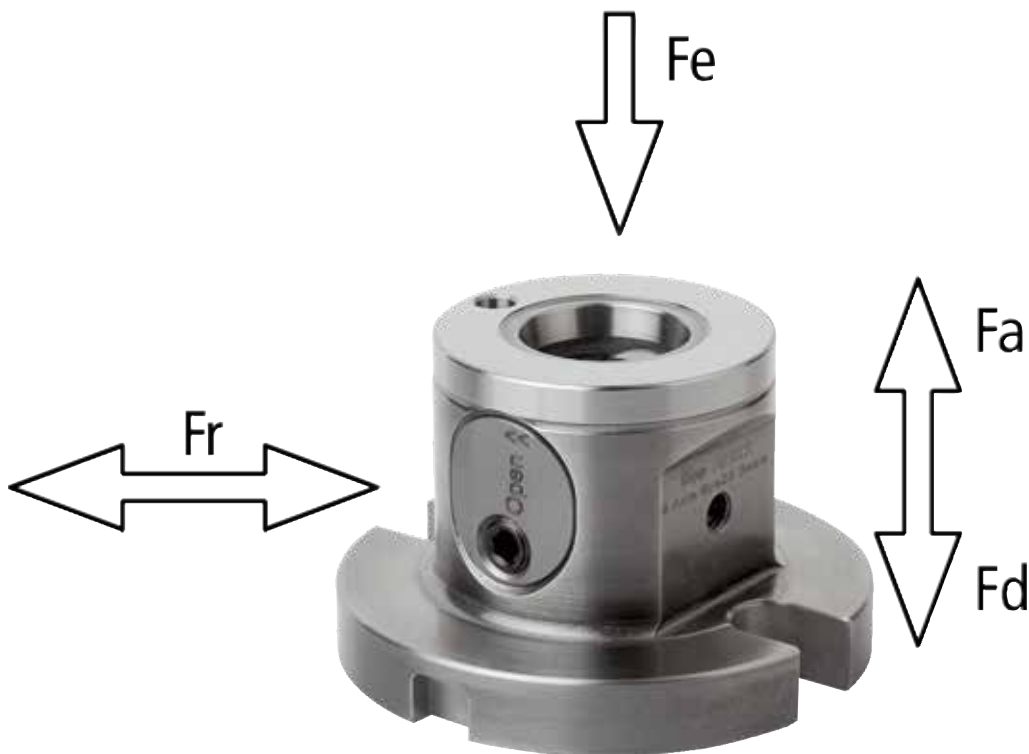
Order No.	Item	Version	Product type	Torque Nm
K1488.01	Torque wrench	set	Revolving grip	5 - 40

5-axis module clamping system 50



Forces

System size 50 mm



- Fr** Permissible transverse force
- Fa** Permissible clamping force
- Fd** Permissible contact force
- Fe** Clamping bolt pull-in force

Permissible load with full contact:

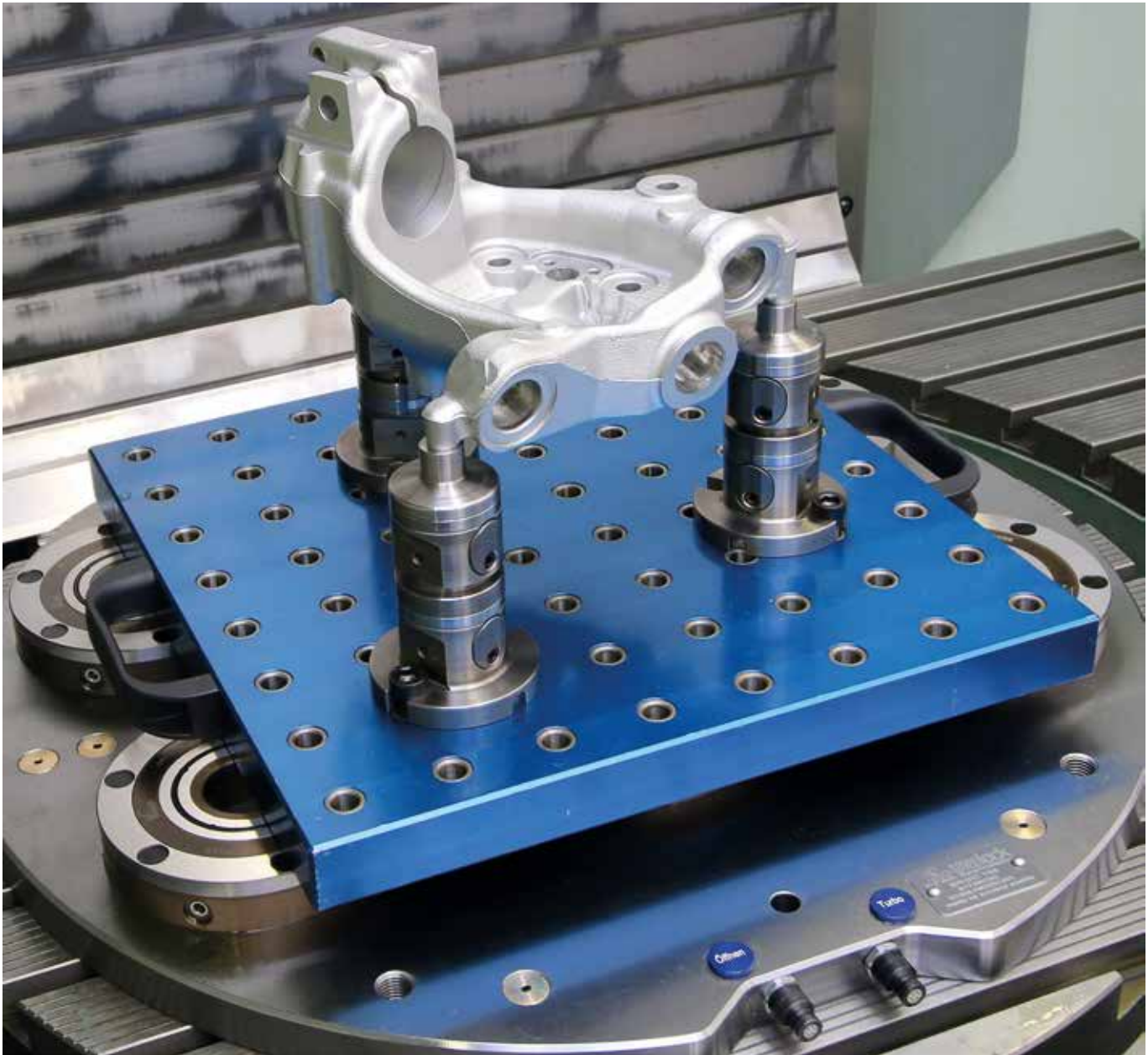
		Fr	Fa	Fd	Fe
Clamping pin screw M6	kN	15	20	25	8
Clamping pin screw M8	kN	15	25	25	10
Clamping pin screw M10	kN	15	30	25	12

Note: Forces apply at a max. tightening torque of 10 Nm.

Function



The UNI lock clamping system 50 mm has been developed specifically for 5-side machining of small workpieces.



Advantages:

- 5-side machining with no protruding edges
- Modular construction guarantees maximum flexibility
- Can be combined with the UNI lock modular system 80 mm
- Small gauges for modules from 40 mm possible
- Small clamping pin, D 25 mm, for workpieces with smaller dimensions
- Variable workpiece fastening
- The workpiece is simply positioned and clamped with screws or seatings
- High module clamping force
- Very high repeat accuracy

UNI lock 5-axis basic module

system size 50 mm



Material:

Rust resistant tool steel.

Version:

Contact faces hardened and ground.

Sample order:

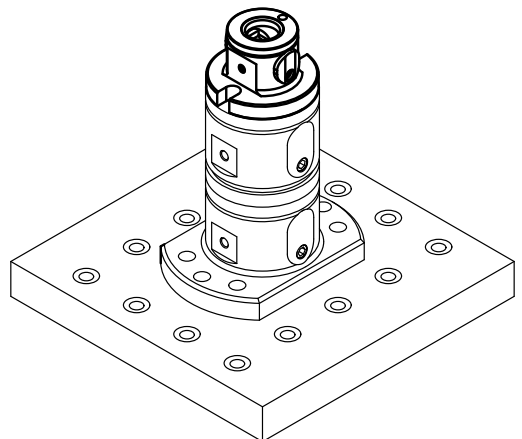
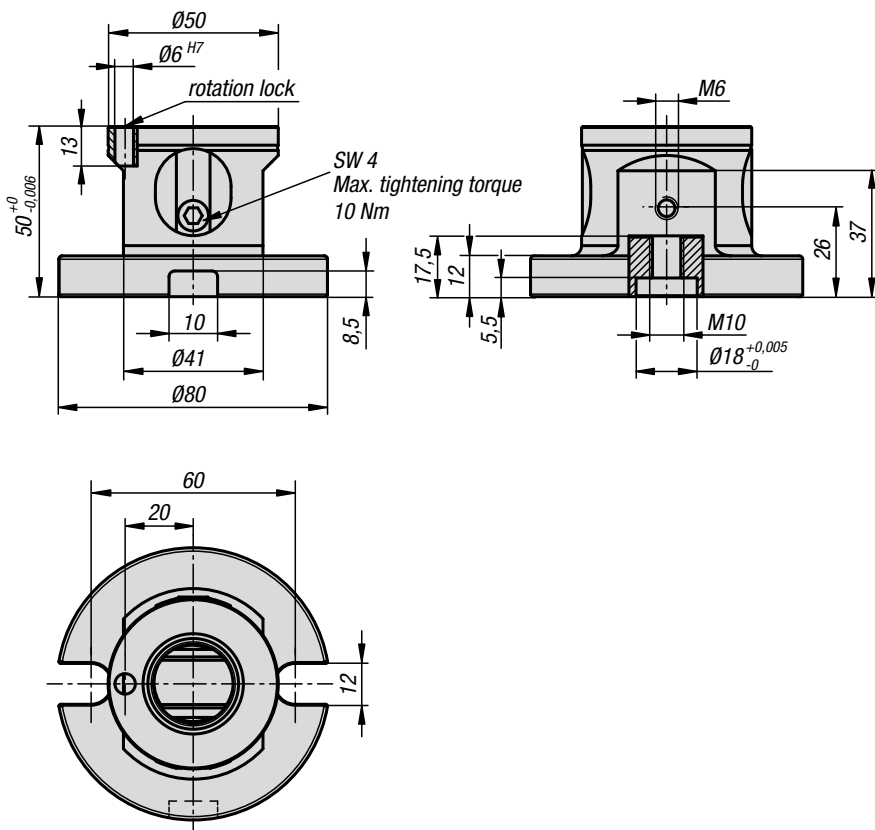
K1117.12050601

Note:

The UNI lock 5-axis basic module, system size 50 can be adapted to mount on machine tables with grid holes or T-slots, or on grid hole subplates. The system size 50 basic module can also be combined with the system size 80 modules, allowing smaller workpieces to be easily clamped with the module clamping system.

Matches UNI lock zero point clamping system with UNI lock D=18 mm clamping bolts.

Can also be mounted directly onto commonly available zero point clamping systems using suitable clamping bolts.



KIPP UNI lock 5-axis basic module, system size 50 mm

Order No.	Version
K1117.12050601	rotation lock

UNI lock 5-axis basic module adjustable

system size 50 mm

**Material:**

Rust resistant tool steel.

Version:

Contact faces hardened and ground.

Sample order:

K1117.12072600

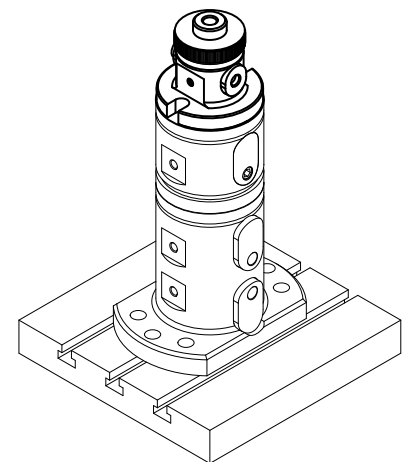
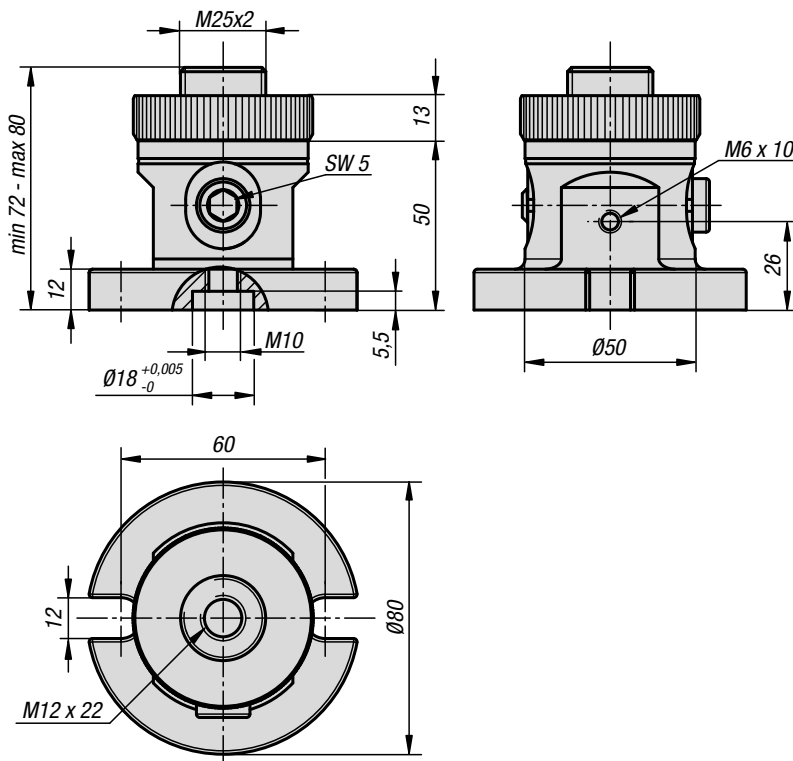
Note:

The UNI lock 5-axis basic module, system size 50 can be adapted to mount on machine tables with grid holes or T-slots, or on grid hole subplates. The system size 50 basic module can also be combined with the system size 80 modules, allowing smaller workpieces to be easily clamped with the module clamping system.

Matches UNI lock zero point clamping system with UNI lock D=18 mm clamping pins.

Can also be mounted directly onto commonly available zero point clamping systems if a suitable clamping pin is used..

Height adjustment with brass ring. Locking with a lateral lock screw. Workpieces with varying support face heights can be optimally supported and clamped.



KIPP UNI lock 5-axis basic module adjustable, system size 50 mm

Order No.

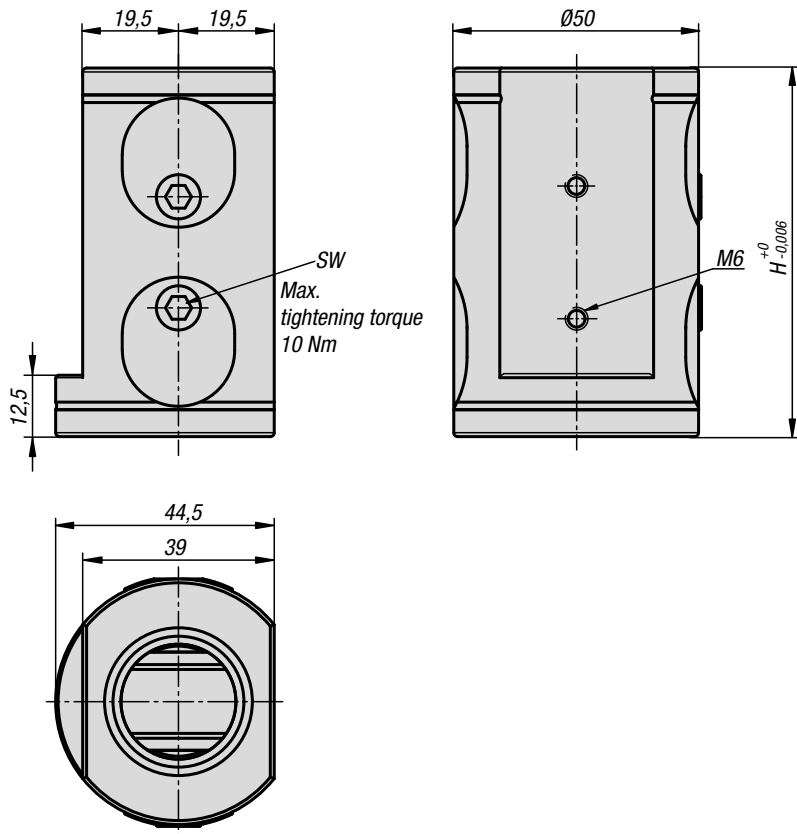
Version

K1117.12072600

adjustable

UNI lock 5-axis basic module double clamp

system size 50 mm



Material:

Rust resistant tool steel.

Version:

Contact faces hardened and ground.

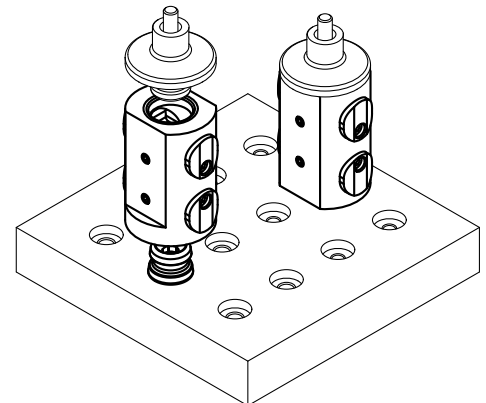
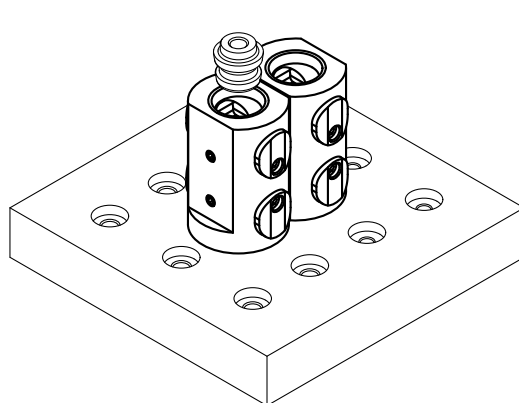
Sample order:

K1118.000750

Note:

The UNI lock 5-axis double clamp basic modules can be adapted directly to machine tables with grid holes or T-slots, as well as grid hole subplates.

The narrow design of the basic module enables it to be used on grid spacings from 20 mm.

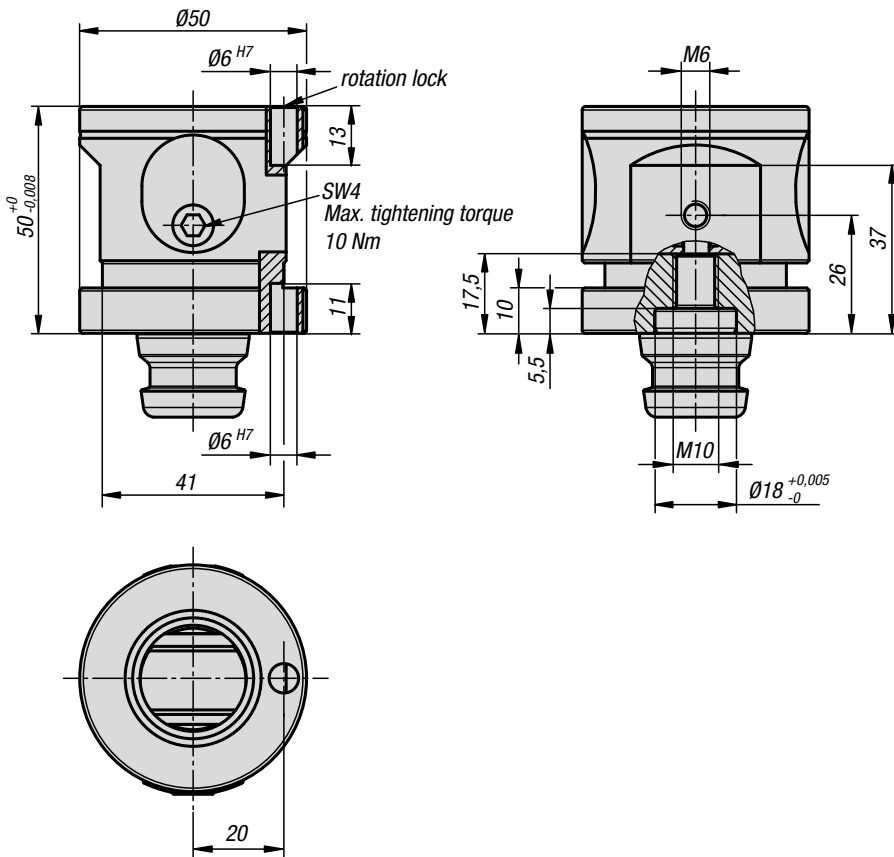


KIPP UNI lock 5-axis basic module, double clamp, system size 50 mm

Order No.	H	SW
K1118.000750	75	4

UNI lock 5-axis add-on module

system size 50 mm

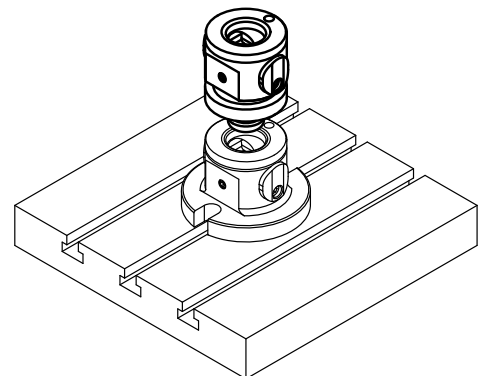


Material:
Rust resistant tool steel.

Version:
Contact faces hardened and ground.

Sample order:
K1119.0501

Note:
The UNI lock 5-axis add-on modules serve to raise the height of the basic modules and other add-on modules. Depending on the clamping situation, a combination of the basic modules and the add-on modules can be used to achieve the optimum clamping height. The system size 50 add-on module can also be combined with the system size 80.



KIPP UNI lock 5-axis add-on module, system size 50 mm

Order No.	Version
K1119.0501	rotation lock

UNI lock 5-axis add-on module adjustable

system size 50 mm



Material:

Rust resistant tool steel.

Version:

Contact faces hardened and ground.

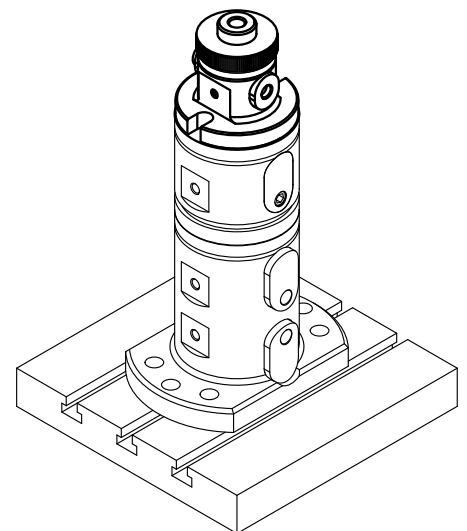
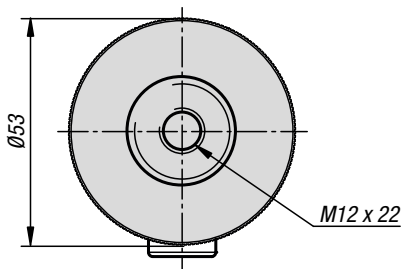
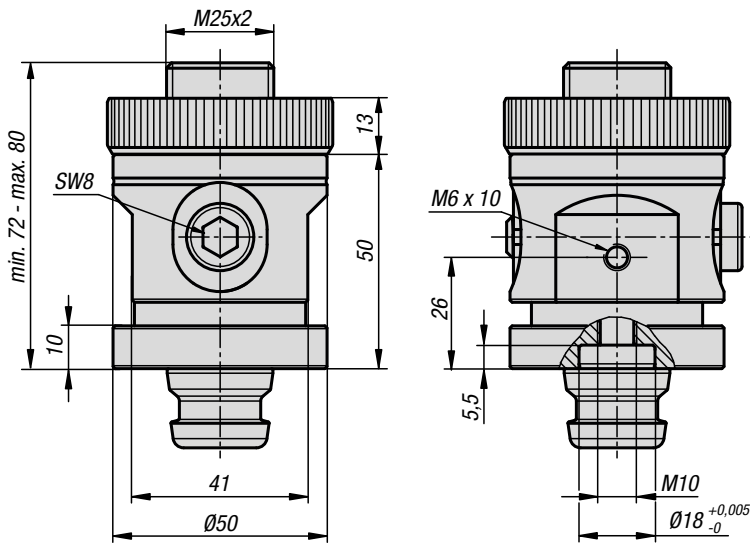
Sample order:

K1119.0720

Note:

UNI lock 5-axis add-on clamp modules are used for raising basic modules and mounting bases. Depending on the clamping situation, optimum assembly height can be achieved using a combination of basic module and add-on module. The system size 50 add-on module can also be combined with the system size 80.

Height adjustment with brass ring. Locking with a lateral lock screw. Workpieces with varying support face heights can be optimally supported and clamped.



KIPP UNI lock 5-axis add-on module adjustable, system size 50 mm

Order No.	Version
K1119.0720	adjustable

UNI lock 5-axis reducer adapter

system size 50 mm



Material:

Rust resistant tool steel.

Version:

Contact faces hardened and ground.

Sample order:

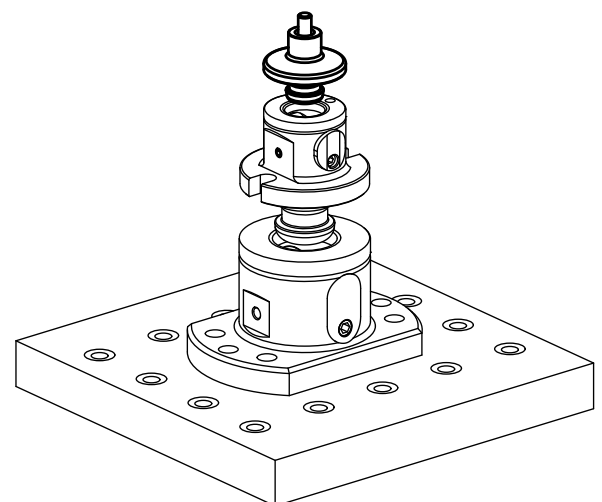
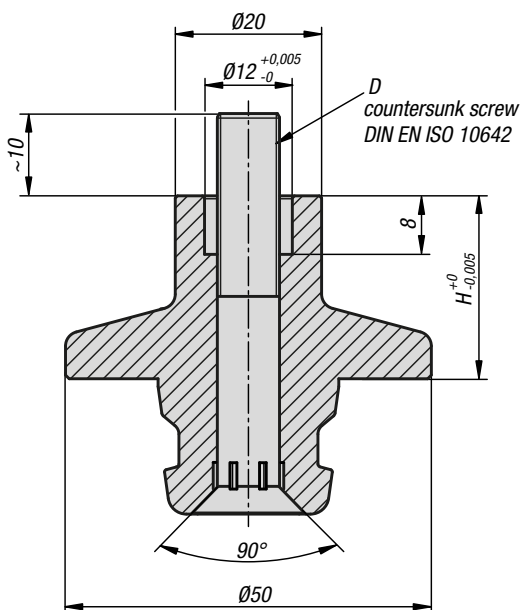
K1120.251081

Note:

The UNI lock 5-axis reducer adapter is suitable for clamping and positioning workpieces.

Reducer adapters can be screwed onto the workpiece and mounted on the basic module or add-on clamp module.

The system size 50 add-on module can also be combined with the system size 80.

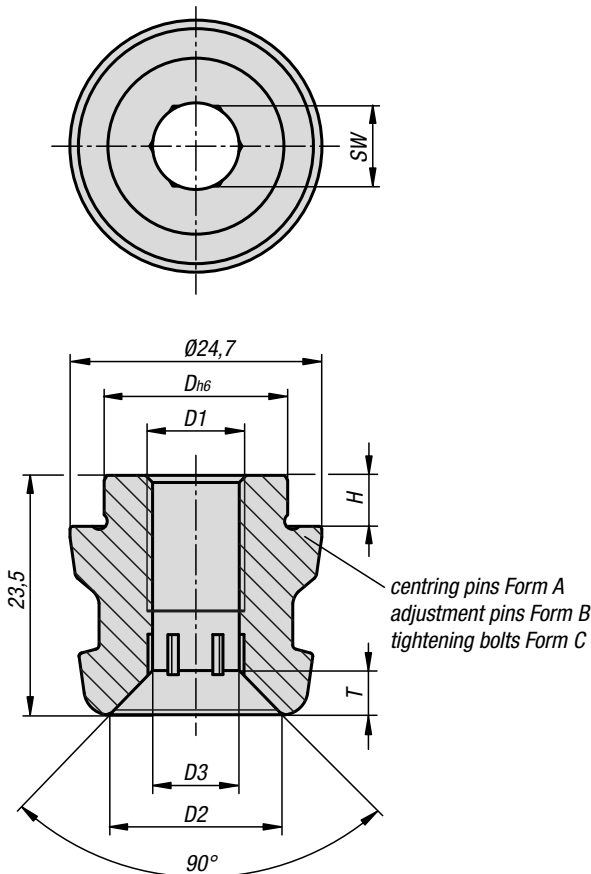


KIPP UNI lock 5-axis reducer adapter, system size 50 mm

Order No.	Form	D	H
K1120.251081	A	M8	25
K1120.501081	A	M8	50

UNI lock clamping pin

system size 50 mm



Material:

Rust resistant tool steel.

Version:




Contact faces hardened and ground.

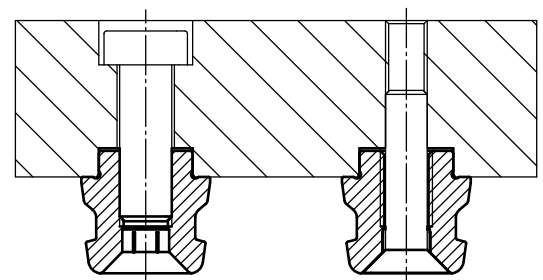
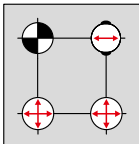
Sample order:

K1121.125180510

Note:

The UNI lock clamping pin is suitable for clamping and positioning workpieces and fixtures. Clamping pins are screwed onto the exchange element and adapted to the various basic modules.

-  Centring pins = Form A fixes in x and y axis (reference point)
-  Adjustment pins = Form B fixes the free axis (bayonet pin)
-  Tightening bolts = Form C Pins with undersize (no centring function, clamping only)

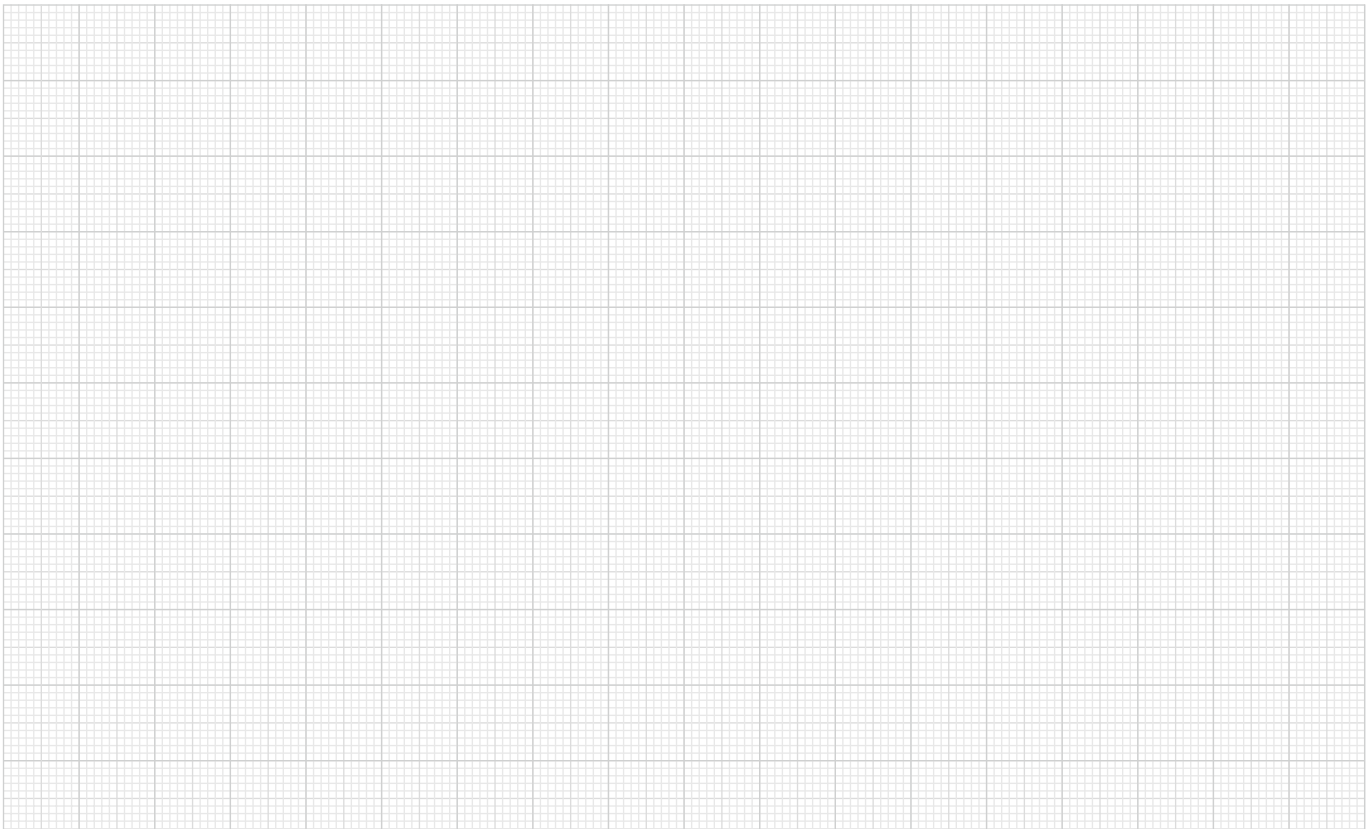


KIPP UNI lock clamping pin, system size 50 mm

Order No.	Form	D1	D	D2	D3	H	T	SW
K1121.125180510	A	M10	18	16,5	9	5	5	8
K1121.225180510	B	M10	18	16,5	9	5	5	8
K1121.325180510	C	M10	18	16,5	9	5	5	8



Notes

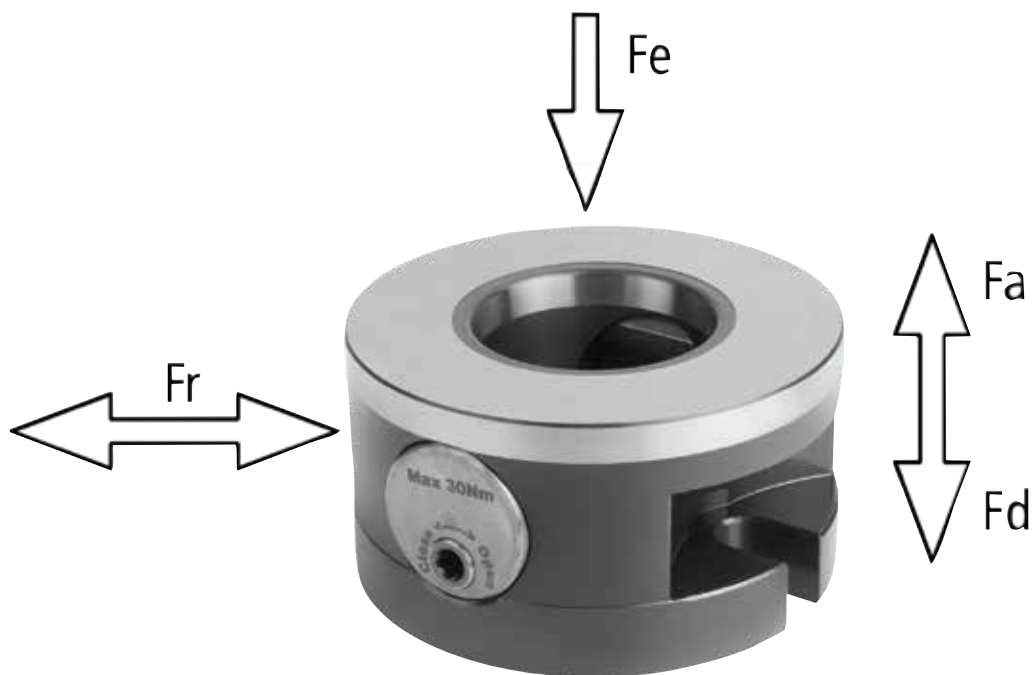


5-axis module clamping system 138



Forces

System size 138 mm



- F_r** Permissible transverse force
- F_a** Permissible clamping force
- F_d** Permissible contact force
- F_e** Clamping bolt pull-in force

Permissible load with full contact:

		F_r	F_a	F_d	F_e
Clamping pin screw M24	kN	60	100	100	40

Note: Forces apply at a max. tightening torque of 30 Nm.

UNI lock 5-axis basic module

system size 138 mm



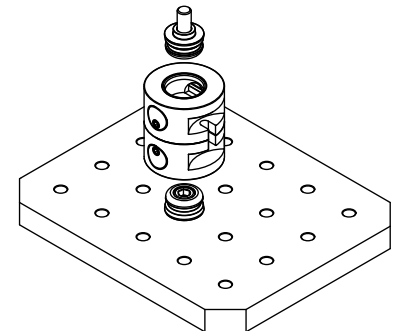
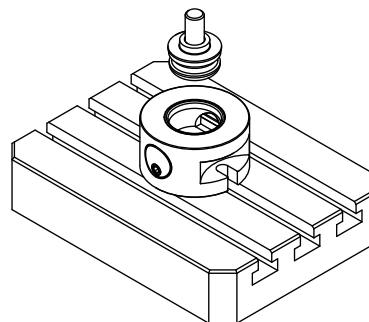
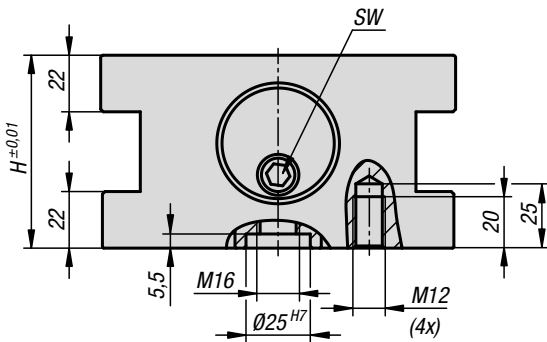
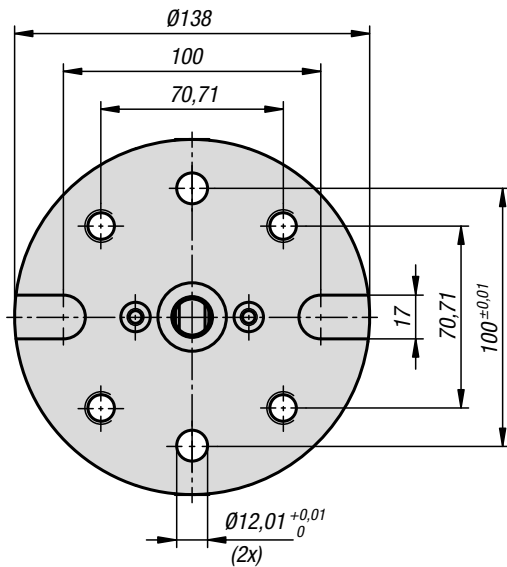
Material:
Steel.

Version:
Main body oxidised.
Contact faces case-hardened and ground.

Sample order:
K1419.1380750

Note:

The UNI lock 5-axis basic modules in size 138 are suitable for clamping large and heavy workpieces. The workpieces can be inserted directly into the basic module with the clamping pin or with the reducer adapter. The basic modules are screwed in place via the associated baseplates or directly to the machine table. They can be positioned in various ways. By placing two modules together, base to base, it is possible to create and use a double clamping module.



KIPP UNI lock 5-axis basic module, system size 138 mm

Order No.	Version	H	SW	Tightening torque max. Nm
K1419.1380750	without rotation lock	75	8	30

UNI lock 5-axis baseplate

for general clamping, size 138 mm



Material:

Steel.

Version:

Main body oxidised.

Contact faces case-hardened and ground.

Sample order:

K1420.23523505025

Note:

The UNI lock baseplates can be easily mounted on T-slot or grid plate machine tables. Due to their variable designs, these baseplates can be positioned anywhere on the machine table enabling every part of the machine table to be used.

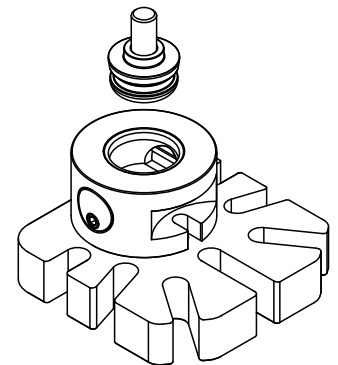
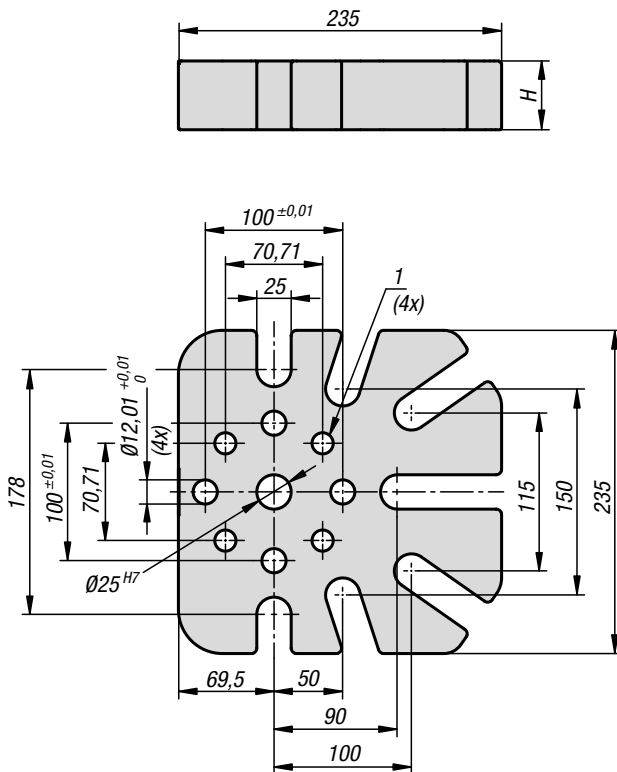
Due to their sturdy design, these baseplates are ideal for use as a basic element for large and heavy workpieces.

On request:

Other versions.

Drawing reference:

1) for DIN 912 M12 cap screw

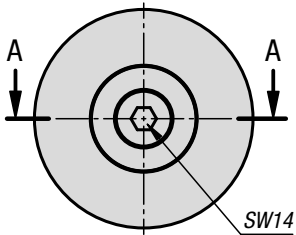


KIPP UNI lock 5-axis baseplate for general clamping, size 138 mm

Order No.	H
K1420.23523505025	50

UNI lock 5-axis reducer adapter

system size 138 mm



Material:

Steel.

Version:

Main body oxidised.

Contact faces case-hardened and ground.

Sample order:

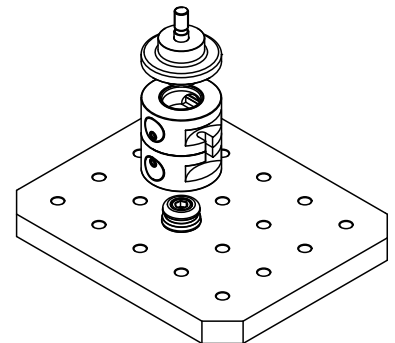
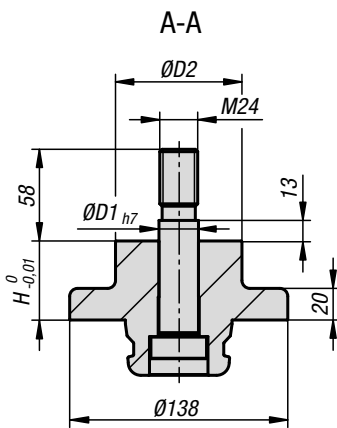
K1422.0501241080

Note:

The UNI lock 5-axis reducer adapter is suitable for clamping and positioning workpieces. Reducer adapters can be screwed onto the workpiece and mounted on the basic module or add-on clamp module.

On request:

Other versions.

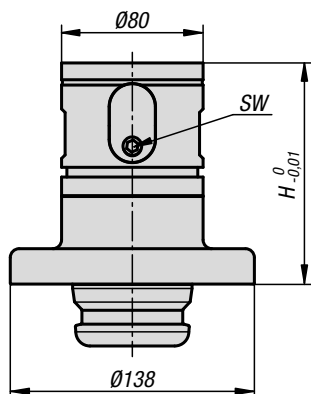


KIPP UNI lock 5-axis reducer adapter, system size 138 mm

Order No.	D1	D2	H
K1422.0501241080	25	80	50

UNI lock 5-axis reducer adapter

system size 138 mm



Material:

Steel.

Version:

Main body oxidised.

Contact faces case-hardened and ground.

Sample order:

K1423.1251

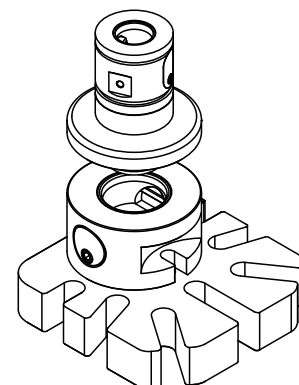
Note:

The UNI lock 5-axis reducer adapters are used to convert from size 80 to size 138.

They therefore allow all size 80 elements to continue to be used.

On request:

Other versions.

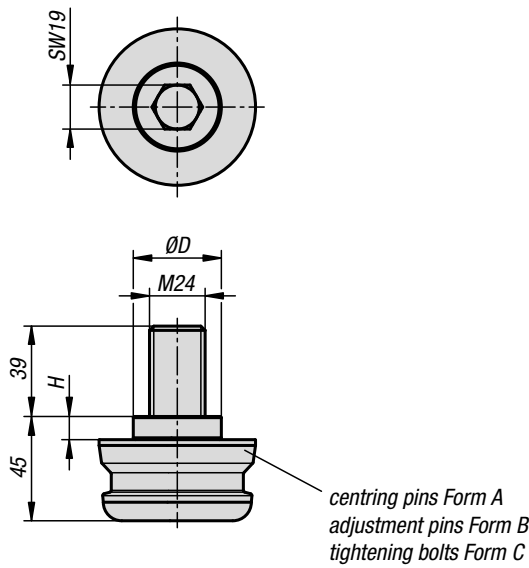


KIPP UNI lock 5-axis reducer adapter, system size 138 mm

Order No.	H	SW	Holding force F kN	Tightening torque max. Nm
K1423.1251	125	6	50	15

UNI lock clamping pin

system size 138 mm



Material:
Steel.

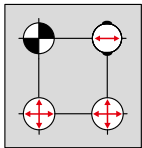
Version:
Main body oxidised.
Contact faces case-hardened and ground.

Sample order:
K1424.168381025

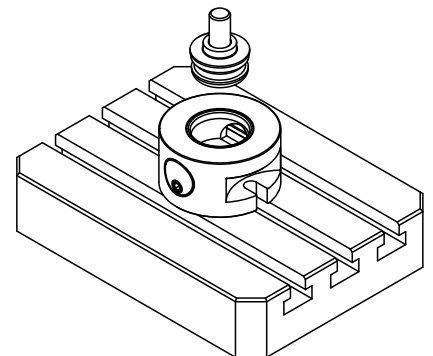
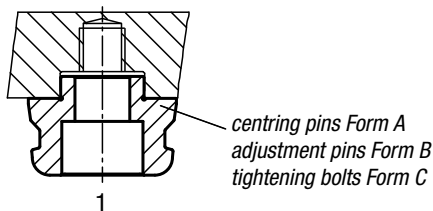
Note:
The UNI lock clamping pins are suitable for clamping and positioning workpieces and fixtures. The clamping pins are screwed onto the exchange element.

On request:
Other versions.

- Centring pins = Form A fixes in x and y axis (reference point)
- ⊖ Adjustment pins = Form B fixes the free axis (bayonet pin)
- ⊕ Tightening bolts = Form C Pins with undersize (no centring function, clamping only)



1 = fastening with DIN 912 screw through the tightening bolt



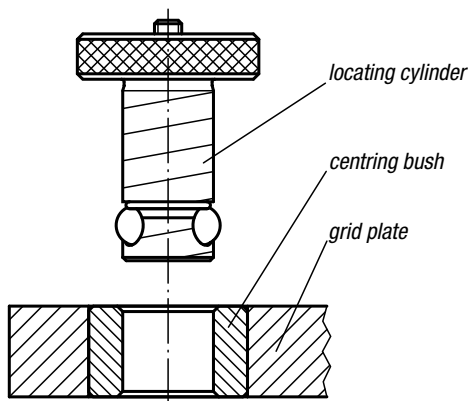
KIPP UNI lock clamping pin, system size 138 mm

Order No.	Form	D	H
K1424.168381025	A	38	10
K1424.268381025	B	38	10
K1424.368381025	C	38	10

Locating and clamping systems

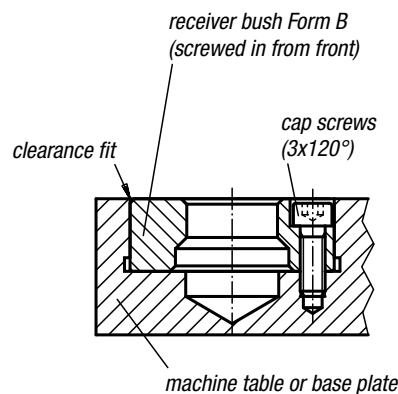
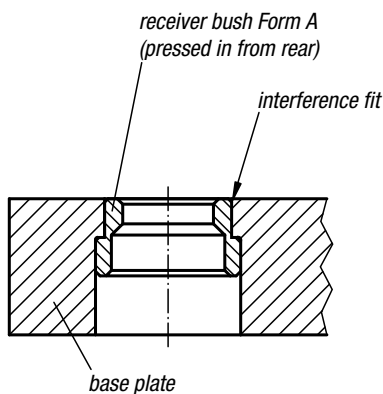


Locating and clamping system, mechanical



recommended installation

alternative installation

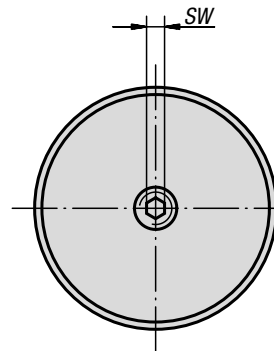
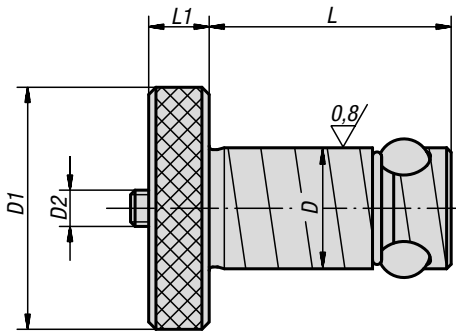


General information

1. With the mechanical locating and clamping system, base and tooling plates can be precisely positioned and fastening in a couple of seconds. The system consists of a locating cylinder, a centring bush and a receiver bush.
2. Three easy steps to applying the positioning and clamping system:
Mount two receiver bushes on the machine table or on the base plate, and two centring bushes on the clamping plate. Insert the locating cylinder through the centring bush into the receiver bush to attain precise positioning. Turn the set screws in each locating cylinder roughly two rotations to clamp tight. Eighteen different locating cylinders, two centring bush types and two receiver bush models are available.
3. A centring bush grade I (below left) and a centring bush grade I or II (above right) should be installed in each fastening plate as far apart from one another as possible. More than two positioning points bring no further advantages.
When more than two locating cylinders are used for additional holding force (dependent on application), holes in the fastening plate must be 0.4 mm to 0.8 mm bigger than the selected locating cylinder diameter.
4. If the centre distance between the two positioning holes in the e.g. machine table and the clamping plate is kept within a tolerance of ± 0.005 mm and two centring bushings grade I are used, a repeat accuracy within ± 0.013 mm can be achieved.
For a somewhat lower repeat accuracy within ± 0.04 mm, one centring bushing grade I and one centring bushing grade II with a centre distance tolerance of ± 0.03 mm are used.
5. The difference between the centring bush grade I and the centring bush grade II is that the centring bush grade II has a larger internal diameter in order to correspond to the greater centre distance tolerance in the machine table or the base plate.

Locating cylinder

Ball Lock



Material:

Locating cylinder carbon steel.
Balls roller bearing steel.

Version:

Locating cylinder tempered, black oxidised.
Balls hardened, bright.

Sample order:

K0935.16020

Note:

By tightening the thrust screw (D2) the centre ball is pressed downwards and in turn forces the three locking balls outwards, where they locked in the receiver bush.

With this easy to use system machine set-up times are up to twelve times shorter than when conventional methods are used.



KIPP Locating cylinders Ball lock

Order No.	Grid plate thickness $\pm 0,05$	D	D1	D2	L	L1	SW	Holding force F kN	Tightening torque max. Nm	Order No. Repair Kit
K0935.13013	13	13	22	M5	27,6	6	2,5	3,3	1	K0935.913013
K0935.13020	20	13	22	M5	34,6	6	2,5	3,3	1	K0935.913020
K0935.16020	20	16	32	M6	36,5	8	3	5,3	3	K0935.916020
K0935.16025	25	16	32	M6	41,5	8	3	5,3	3	K0935.916025
K0935.20020	20	20	40	M6	39,5	10	3	13,3	4	K0935.920020
K0935.20025	25	20	40	M6	44,5	10	3	13,3	4	K0935.920025
K0935.25020	20	25	45	M8	44	10	4	30	9	K0935.925020
K0935.25025	25	25	45	M8	49	10	4	30	9	K0935.925025
K0935.30020	20	30	50	M10	49	13	5	44	15	K0935.930020
K0935.30025	25	30	50	M10	54	13	5	44	15	K0935.930025
K0935.35020	20	35	60	M12	51	13	6	68	25	K0935.935020
K0935.35025	25	35	60	M12	56	13	6	68	25	K0935.935025
K0935.35040	40	35	60	M12	71	13	6	68	25	K0935.935040
K0935.35050	50	35	60	M12	81	13	6	68	25	K0935.935050
K0935.50020	20	50	75	M20	64	20	10	88	50	K0935.950020
K0935.50025	25	50	75	M20	69	20	10	88	50	K0935.950025
K0935.50040	40	50	75	M20	84	20	10	88	50	K0935.950040
K0935.50050	50	50	75	M20	94	20	10	88	50	K0935.950050

Locating cylinder stainless steel

Ball Lock

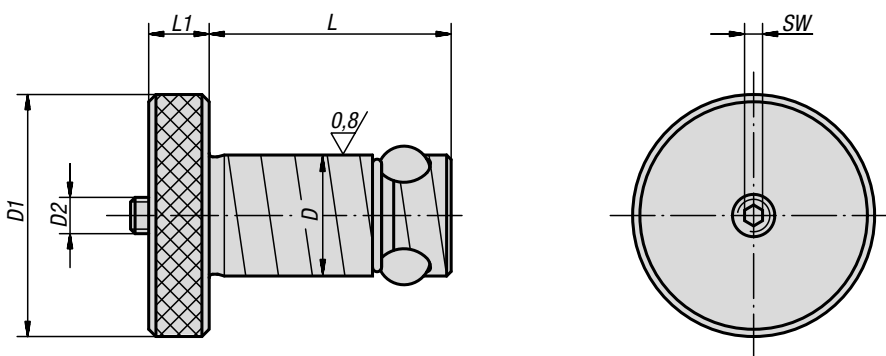


Material:

Version:

Sample order:
K1474.16020

Note:
By tightening the thrust screw (D2) the centre ball is pressed downwards and in turn forces the three locking balls outwards, where they locked in the receiver bush.
With this easy to use system machine set-up times are up to twelve times shorter than when conventional methods are used.



KIPP Locating cylinder stainless steel Ball Lock



Order No.	Grid plate thickness ± 0.13	D	D1	D2	L	L1	SW	Holding force F kN	Tightening torque max. Nm	Order No. Repair Kit
K1474.13013	13	13	22	M5	27,6	6	2,5	3,3	1,2	K1474.913013
K1474.13020	20	13	22	M5	34,6	6	2,5	3,3	1,2	K1474.913020
K1474.16020	20	16	32	M6	36,5	8	3	5,3	4,5	K1474.916020
K1474.16025	25	16	32	M6	41,5	8	3	5,3	4,5	K1474.916025
K1474.20020	20	20	40	M6	39,5	10	3	13,3	5,3	K1474.920020
K1474.20025	25	20	40	M6	44,4	10	3	13,3	5,3	K1474.920025
K1474.25020	20	25	45	M8	44	10	4	30	11	K1474.925020
K1474.25025	25	25	45	M8	49	10	4	30	11	K1474.925025
K1474.30020	20	30	50	M10	49	13	5	44	18	K1474.930020
K1474.30025	25	30	50	M10	54	13	5	44	18	K1474.930025
K1474.35020	20	35	60	M12	51	13	6	68	33	K1474.935020
K1474.35025	25	35	60	M12	56	13	6	68	33	K1474.935025
K1474.35040	40	35	60	M12	71	13	6	68	33	K1474.935040
K1474.35050	50	35	60	M12	81	13	6	68	33	K1474.935050
K1474.50020	20	50	75	M20	64	20	10	88	65	K1474.950020
K1474.50025	25	50	75	M20	69	20	10	88	65	K1474.950025
K1474.50040	40	50	75	M20	84	20	10	88	65	K1474.950040
K1474.50050	50	50	75	M20	94	20	10	88	65	K1474.950050

Locating cylinder

with quick clamping system



Material:

Locating cylinder carbon steel.
Balls roller bearing steel.

Version:

Locating cylinder tempered, black oxidised.
Balls hardened, bright.

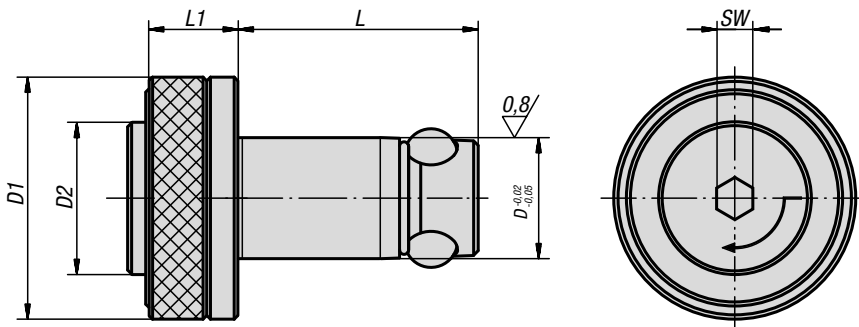
Sample order:

K0935.112013

Note:

Locating cylinder with quick-clamp system for extra timesaving during setups.

Insert the locating cylinder into the receiving hole and press the button. The three balls are pushed out and position the components. By tightening the set screw a 1/4 turn using an hexagonal key, the components are positively and securely held.



KIPP Locating cylinder with quick clamping system

Order No.	Grid plate thickness $\pm 0,05$	D	D1	D2	L	L1	SW	Holding force F kN	Tightening torque max. Nm
K0935.113020	20	13	25	16	34,6	12	4	4	1
K0935.116020	20	16	32	20	36,5	15	6	8	2
K0935.120020	20	20	40	25	39,5	15	6	8	2
K0935.120025	25	20	40	25	44,5	15	6	8	2
K0935.116025	25	16	32	20	41,5	15	6	8	2
K0935.113013	13	13	25	16	27,6	12	4	4	1

Centring bushes

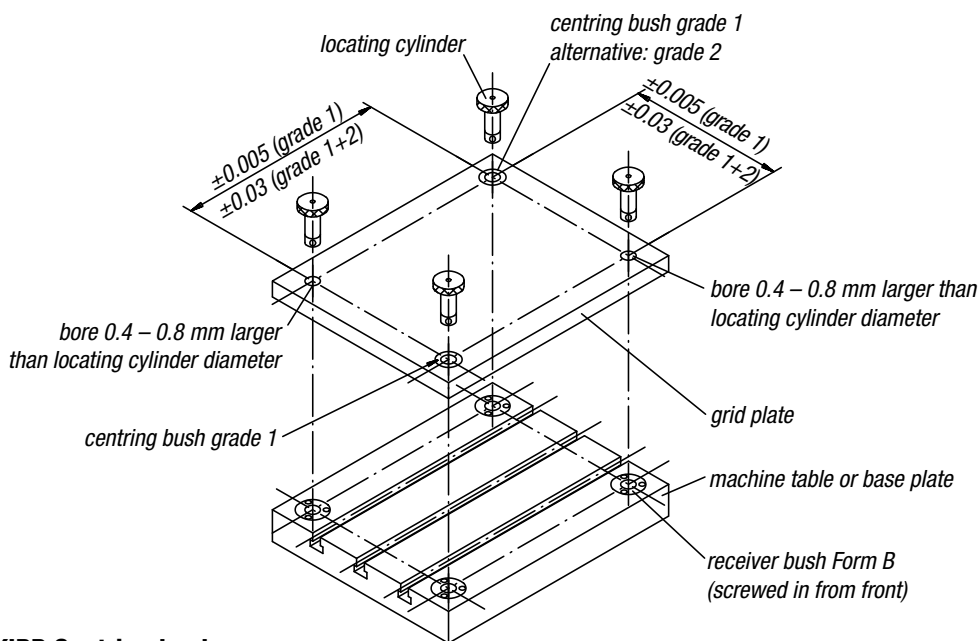
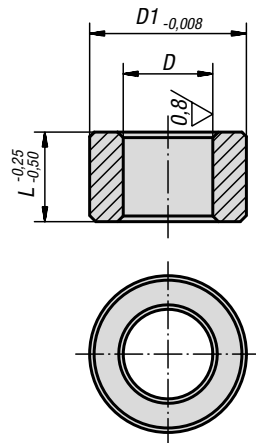


Material:
Ball bearing steel

Version:
Hardened, black oxidised.

Sample order:
K0936.113020

Note:
By a centre distance tolerance of ± 0.005 mm and two grade I centring bushes a repeat accuracy of ± 0.013 mm is possible.
By a centre distance tolerance of ± 0.03 mm and one grade I and one grade II centring bush a repeat accuracy of 0.04 mm is possible.
The centring bushes are pressed into the receiver holes of the tooling plates using a light pressure.
For further details see "General information".



KIPP Centring bushes

Order No. grade I	T=TOLERANZ grade I	Order No. grade II	T=TOLERANZ grade II	D	D1	L	Bore size for centring bush Ø +0.01
K0936.113013	+0,005 - +0,018	K0936.213013	+0,025 - +0,050	13	19,04	13	19,016
K0936.113020	+0,005 - +0,018	K0936.213020	+0,025 - +0,050	13	19,04	20	19,016
K0936.116020	+0,005 - +0,018	K0936.216020	+0,025 - +0,050	16	25,042	20	25,016
K0936.116025	+0,005 - +0,018	K0936.216025	+0,025 - +0,050	16	25,042	25	25,016
K0936.120020	+0,005 - +0,018	K0936.220020	+0,025 - +0,050	20	35,042	20	35,018
K0936.120025	+0,005 - +0,018	K0936.220025	+0,025 - +0,050	20	35,042	25	35,018
K0936.125020	+0,005 - +0,018	K0936.225020	+0,025 - +0,050	25	35,042	20	35,018
K0936.125025	+0,005 - +0,018	K0936.225025	+0,025 - +0,050	25	35,042	25	35,018
K0936.130020	+0,005 - +0,018	K0936.230020	+0,025 - +0,050	30	45,042	20	45,018
K0936.130025	+0,005 - +0,018	-	-	30	45,042	25	45,018
K0936.135020	+0,005 - +0,018	-	-	35	45,042	20	45,018
K0936.135025	+0,005 - +0,018	K0936.235025	+0,025 - +0,050	35	45,042	25	45,018
K0936.135040	+0,005 - +0,018	K0936.235040	+0,025 - +0,050	35	45,042	40	45,018
K0936.135050	+0,005 - +0,018	K0936.235050	+0,025 - +0,050	35	45,042	50	45,018
K0936.150020	+0,005 - +0,018	-	-	50	63,546	20	63,521
K0936.150040	+0,005 - +0,018	K0936.250040	+0,025 - +0,050	50	63,546	40	63,521
K0936.150050	+0,005 - +0,018	K0936.250050	+0,025 - +0,050	50	63,546	50	63,521
-	-	K0936.250025	+0,025 - +0,050	50	63,546	25	63,521

Centring bushes stainless steel

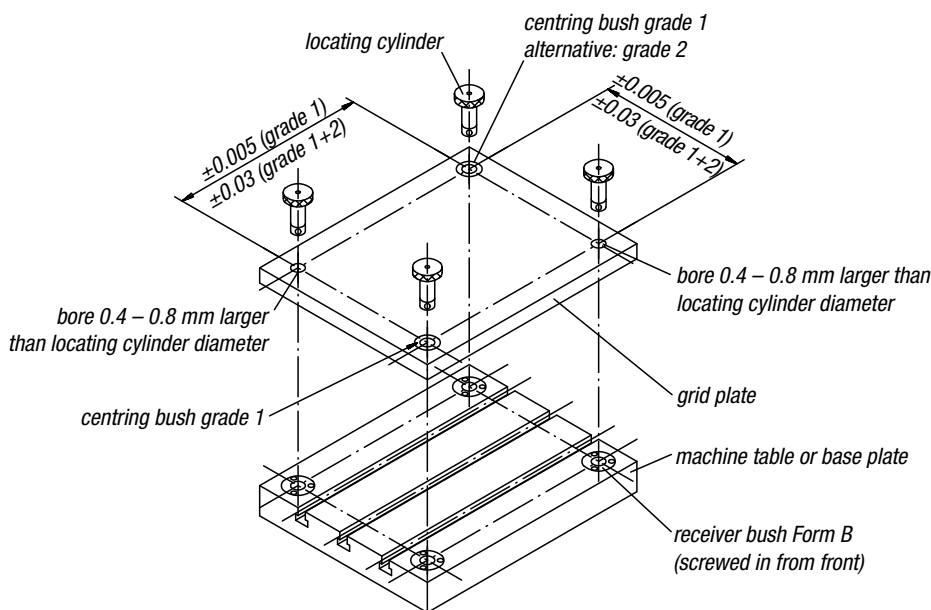
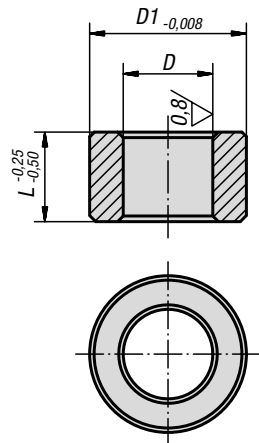


Material:
Stainless steel 1.4548.

Version:

Sample order:
K1475.113020

Note:
By a centre distance tolerance of ± 0.005 mm and two grade I centring bushes a repeat accuracy of ± 0.013 mm is possible.
By a centre distance tolerance of ± 0.03 mm and one grade I and one grade II centring bush a repeat accuracy of 0.04 mm is possible.
The centring bushes are pressed into the receiver holes of the tooling plates using a light pressure.
For further details see "General information".

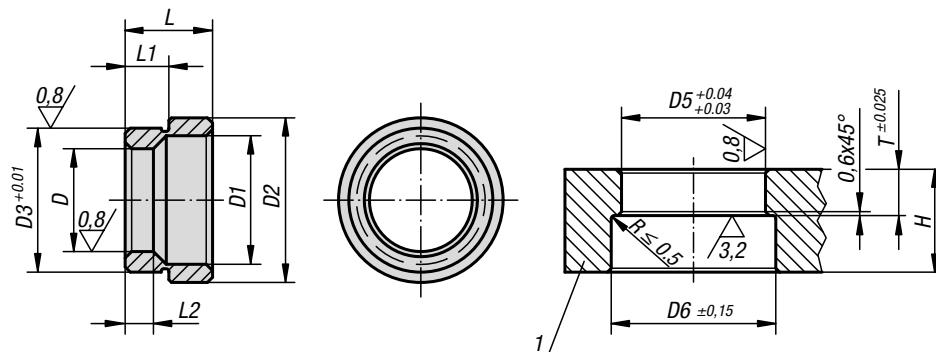


KIPP Centring bushes stainless steel

Order No. grade I	T=TOLERANZ grade I	Order No. grade II	T=TOLERANZ grade II	D	D1	L	Bore size for centring bush Ø +0.01
K1475.113013	+0,005 bis +0,018	K1475.213013	+0,025 bis +0,050	13	19,04	13	19,016
K1475.113020	+0,005 bis +0,018	K1475.213020	+0,025 bis +0,050	13	19,04	20	19,016
K1475.116020	+0,005 bis +0,018	K1475.216020	+0,025 bis +0,050	16	25,042	20	25,016
K1475.116025	+0,005 bis +0,018	K1475.216025	+0,025 bis +0,050	16	25,042	25	25,016
K1475.120020	+0,005 bis +0,018	K1475.220020	+0,025 bis +0,050	20	35,042	20	35,018
K1475.120025	+0,005 bis +0,018	K1475.220025	+0,025 bis +0,050	20	35,042	25	35,018
K1475.125020	+0,005 bis +0,018	K1475.225020	+0,025 bis +0,050	25	35,042	20	35,018
K1475.125025	+0,005 bis +0,018	K1475.225025	+0,025 bis +0,050	25	35,042	25	35,018
K1475.130020	+0,005 bis +0,018	K1475.230020	+0,025 bis +0,050	30	45,042	20	45,018
K1475.130025	+0,005 bis +0,018	K1475.230025	+0,025 bis +0,050	30	45,042	25	45,018
K1475.135020	+0,005 bis +0,018	K1475.235020	+0,025 bis +0,050	35	45,042	20	45,018
K1475.135025	+0,005 bis +0,018	K1475.235025	+0,025 bis +0,050	35	45,042	25	45,018
K1475.135040	+0,005 bis +0,018	K1475.235040	+0,025 bis +0,050	35	45,042	40	45,018
K1475.135050	+0,005 bis +0,018	K1475.235050	+0,025 bis +0,050	35	45,042	50	45,018
K1475.150020	+0,005 bis +0,018	K1475.250020	+0,025 bis +0,050	50	63,546	20	63,521
K1475.150025	+0,005 bis +0,018	K1475.250025	+0,025 bis +0,050	50	63,546	25	63,521
K1475.150040	+0,005 bis +0,018	K1475.250040	+0,025 bis +0,050	50	63,546	40	63,521
K1475.150050	+0,005 bis +0,018	K1475.250050	+0,025 bis +0,050	50	63,546	50	63,521

Receiver bushes

Form A (pressed in from rear)



Material:
Carbon steel.

Version:
Tempered and black oxidised.

Sample order:
K0937.20

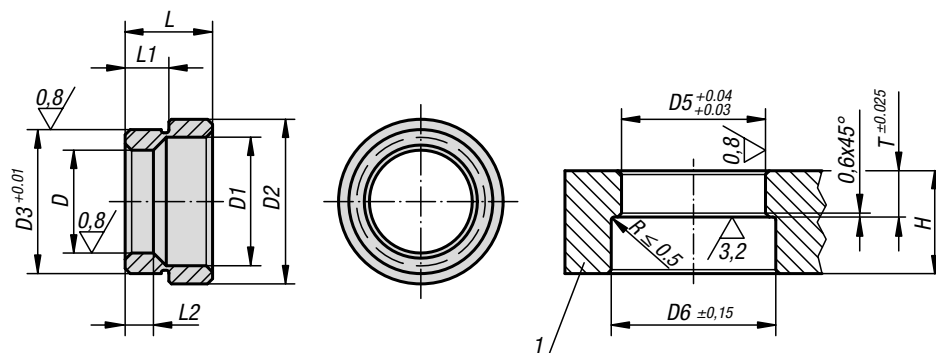
Drawing reference:
1) grid plate

KIPP Receiver bushes Form A (pressed in from rear)

Order No.	D	D1	D2	D3	L	L1	L2	D5	D6	T	Min. grid plate thickness H
K0937.13	13	17,3	25	20,03	12,1	6,6	5,58	20	26	6,92	20
K0937.16	16	20,7	28,6	22,03	12,1	6,9	6,6	22	29	7,24	20
K0937.20	20	24,8	32,2	28,03	17,1	8,42	8,13	28	33	8,74	25
K0937.25	25	30,4	40,2	35,03	21	10,22	10,16	35	41	10,54	25
K0937.30	30	36,2	48,2	42,03	21,8	10,63	11,18	42	49	10,95	30
K0937.35	35	41,3	54,2	48,03	25,1	12,18	14,78	48	55	12,5	32
K0937.50	50	58,4	75,2	67,03	31,1	15,43	18,67	67	76	15,75	45

Receiver bushes stainless steel

Form A (pressed in from rear)



Material:
Stainless steel 1.4548.

Version:

Sample order:
K1476.20

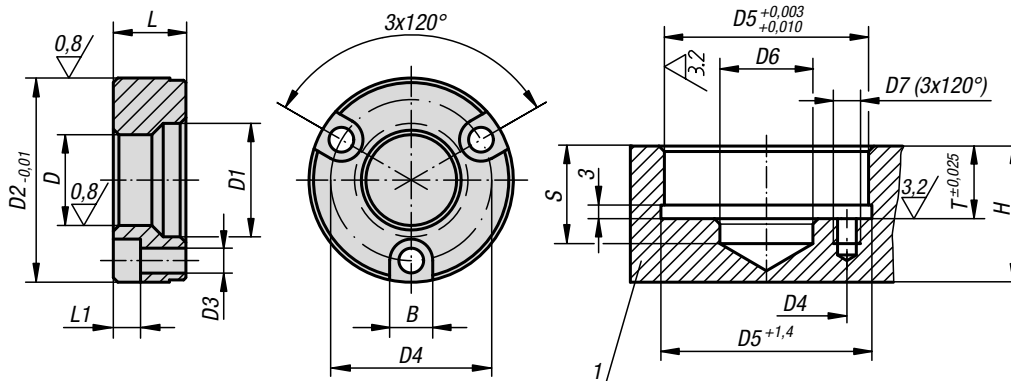
Drawing reference:
1) grid plate

KIPP Receiver bushes stainless steel Form A (pressed in from rear)

Order No.	D	D1	D2	D3	L	L1	L2	D5	D6	T	Min. grid plate thickness S
K1476.13	13	17,3	25	20,03	12,1	6,6	5,58	20	26	6,92	20
K1476.16	16	20,7	28,6	22,03	12,1	6,9	6,6	22	29	7,24	20
K1476.20	20	24,8	32,2	28,03	17,1	8,42	8,13	28	33	8,74	25
K1476.25	25	30,4	40,2	35,03	21	10,22	10,16	35	41	10,54	25
K1476.30	30	36,2	48,2	42,03	21,8	10,63	11,18	42	49	10,95	30
K1476.35	35	41,3	54,2	48,03	25,1	12,18	14,78	48	55	12,5	32
K1476.50	50	58,4	75,2	67,03	31,1	15,43	18,67	67	76	15,75	45

Receiver bushes

Form B (screwed down from front)



Material:

Carbon steel.

Version:

Tempered and black oxidised.

Sample order:

K0938.13

Note:

Fastening screws included.

Drawing reference:

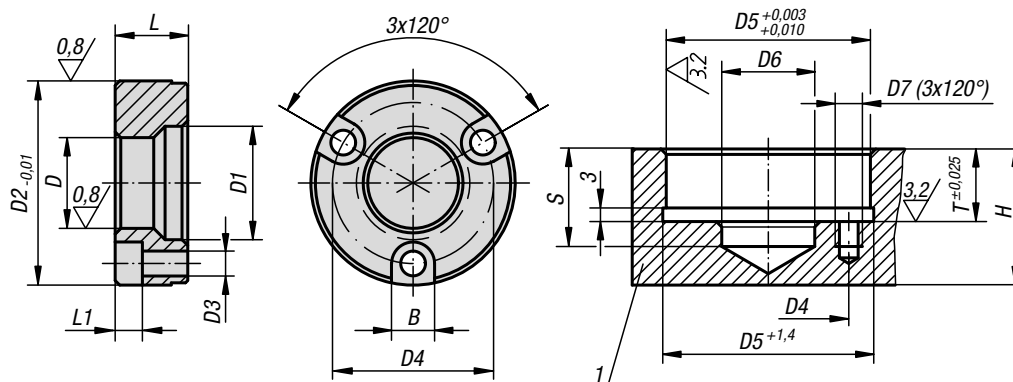
1) grid plate

KIPP Receiver bushes Form B (screwed down from front)

Order No.	D	D1	D2	D3	D4	L	L1	B	D5	D6	D7	S	T	Min. grid plate thickness H
K0938.13	13	17,3	34,99	4,4	25	11,56	4,5	7,6	35	13,5	M4x7	20	11,91	20
K0938.16	16	20,7	36,99	4,4	29	11,56	4,5	7,6	37	21	M4x7	20	11,91	20
K0938.20	20	24,8	44,99	5,4	35	15,82	6	9,5	45	21	M5x9	25	16,21	25
K0938.25	25	30,4	54,99	6,4	42	19,94	7	11	55	25,5	M6x10	25	20,32	25
K0938.30	30	36,2	59,99	6,4	48	21,77	7	11	60	30,5	M6x11	30	22,15	30
K0938.35	35	41,3	69,99	8,4	56	22,61	9	14	70	40	M8x17	32	22,99	32
K0938.50	50	58,4	91,99	10,4	75	31,12	11	17	92	55	M10x18	45	31,5	45

Receiver bushes stainless steel

Form B (screwed down from front)



Material:

Stainless steel 1.4548.

Version:

Sample order:

K1477.13

Note:

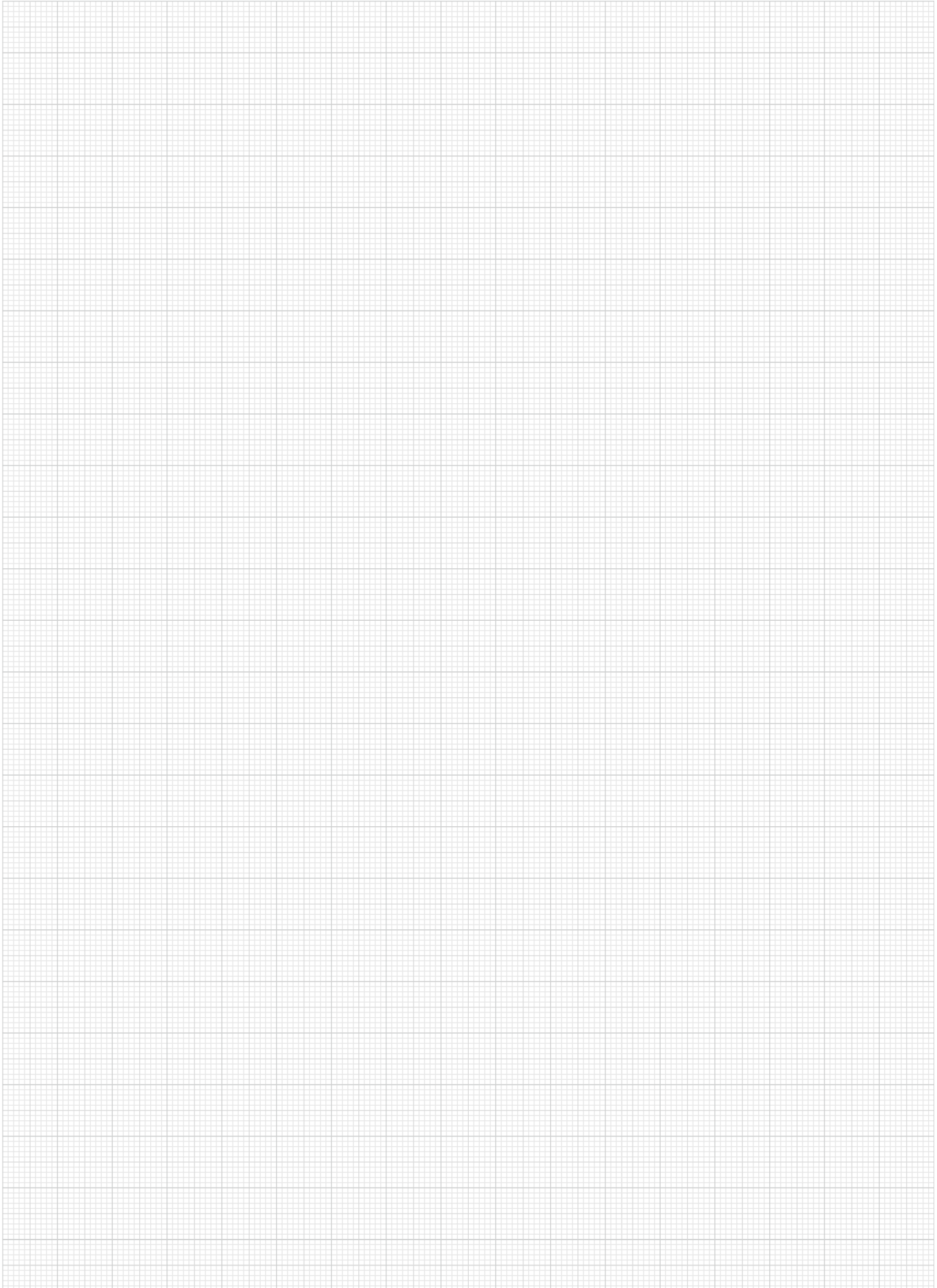
Fastening screws included.

Drawing reference:

1) grid plate

KIPP Receiver bushes stainless steel Form B (screwed down from front)

Order No.	D	D1	D2	D3	D4	L	L1	B	D5	D6	D7	S	T	Min. grid plate thickness S
K1477.13	13	17,3	34,99	4,4	25	11,56	4,5	7,6	35	13,5	M4x7	20	11,91	20
K1477.16	16	20,7	36,99	4,4	29	11,56	4,5	7,6	37	21	M4x7	20	11,91	20
K1477.20	20	24,8	44,99	5,4	35	15,82	6	9,5	45	21	M5x9	25	16,21	25
K1477.25	25	30,4	54,99	6,4	42	19,94	7	11	55	25,5	M6x10	25	20,32	25
K1477.30	30	36,2	59,99	6,4	48	21,77	7	11	60	30,5	M6x11	30	22,15	30
K1477.35	35	41,3	69,99	8,4	56	22,61	9	14	70	40	M8x17	32	22,99	32
K1477.50	50	58,4	91,99	10,4	75	31,12	11	17	92	55	M10x18	45	31,5	45



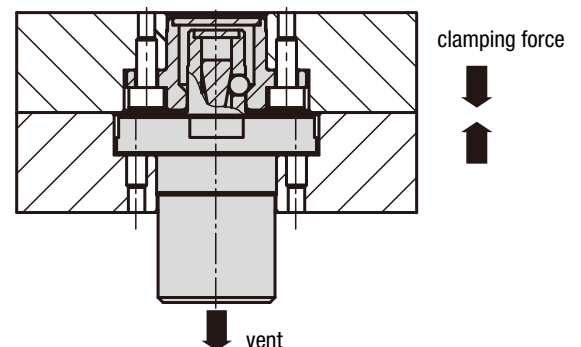
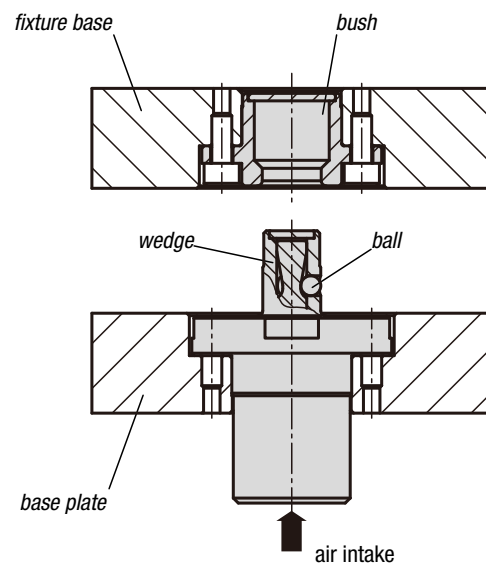
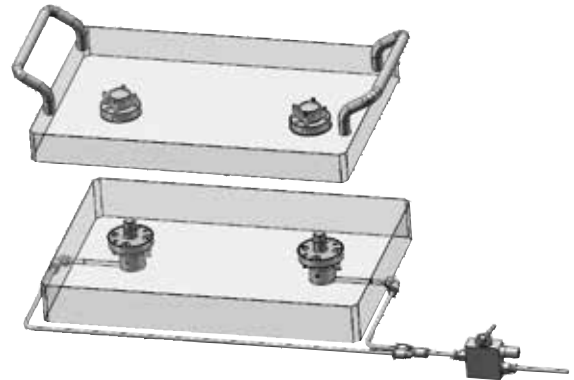
Pneumatic positioning and clamping system



General information

1. The pneumatic positioning and clamping system enables rapid and precise fixation and positioning of grid plates. The system consists of a locating cylinder and a locating bush.
2. The locating cylinder is actuated pneumatically.
3. To use the positioning and clamping system, follow these three simple steps:
Install two locating cylinders on the machine table or baseplate. At the same time install the locating bushes with the interchangeable subplates in line with the specified dimensions. Feed in air to open the locating cylinder mechanism to make the clamping balls move inwards. Insert the interchangeable subplate with the locating bushes and close the air valve again. The interchangeable subplate is now positioned and clamped.
4. The system is clamped without an air supply. Spring force is used for clamping in the locating cylinder. An air supply of 6 bar is required to open the mechanism.
5. 2 different installation variants are available.

Example



Locating cylinders

pneumatic

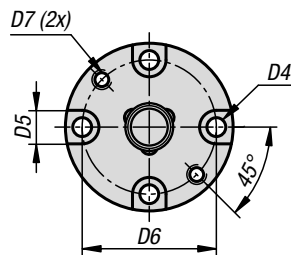
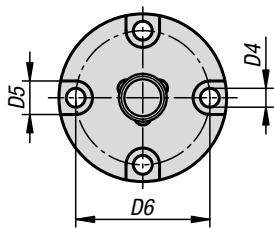
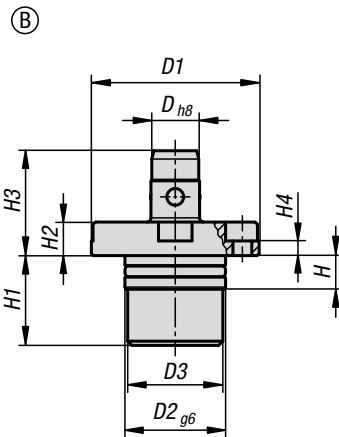
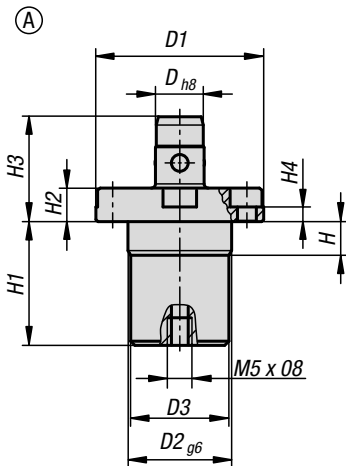


Material:
Carbon steel.

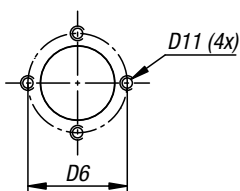
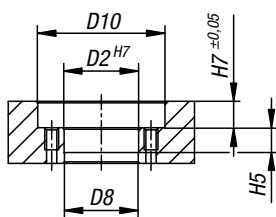
Version:
nickel-plated.

Sample order:
K1219.112

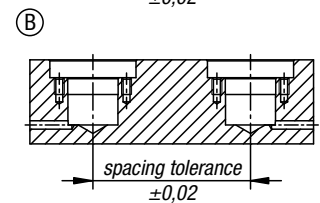
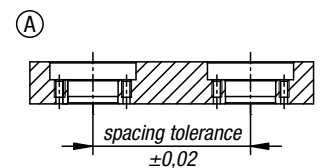
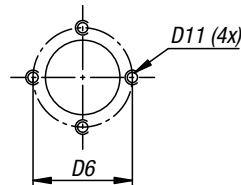
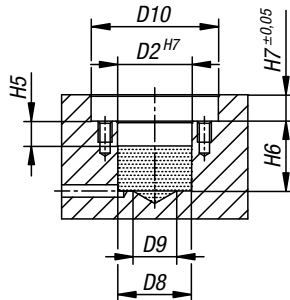
Note:
The 3 clamping balls are pneumatically released. The 3 clamping balls retract and the fixture can be exchanged. If the air is stopped, the 3 clamping balls advance and the fixture is clamped. This easy-to-operate system significantly reduces the changeover times.



mounting instructions:



mounting instructions:



KIPP Locating cylinders pneumatic

Order No.	Form	D	D1	D2	D3	D4	D5	D6	D7	D8	D9	D10	D11	H	H1	H2	H3	H4	H5	H6	H7	Retaining force F1 N
K1219.112	A	12	40	24	23,4	4,5	8	32	-	23,8	-	41	M4	8	29,5	8	25	3,5	8,5	-	8,5	250
K1219.116	A	16	51	32	31,4	5,5	9,5	41	-	31,8	-	52	M5	8,5	31,7	9,5	28,5	4	9	-	10	350
K1219.212	B	12	40	24	23,4	4,5	8	32	M4	23,8	14	41	M4	8	24,5	8	25	3,5	8,5	25,5	8,5	250
K1219.216	B	16	51	32	31,4	5,5	9,5	41	M5	31,8	20	52	M5	8,5	25,5	9,5	28,5	4	9	26,5	10	350

Locating bushes

for pneumatic locating cylinder

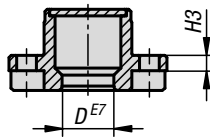
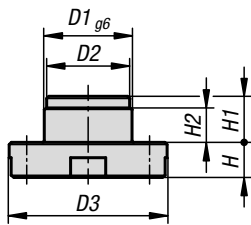
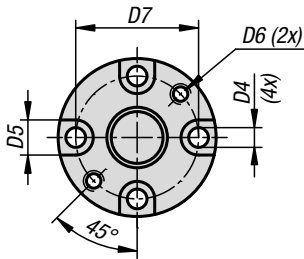


Material:
Carbon steel.

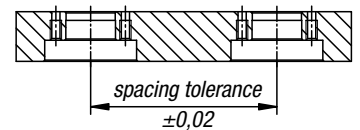
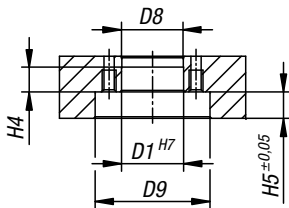
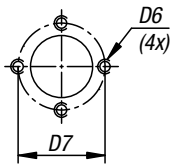
Version:
nickel-plated.

Sample order:
K1220.12

Note:
Locating bushes are placed in a fixture or interchangeable subplate and form the counterpart to the locating cylinder.
The locating bushes are centred in a reamed hole and then fastened with 4 screws.
The balls of the locating cylinder engage in the groove in the locating bush, thereby forming a fast, secure and highly accurate changeover unit, and reducing setup and changeover times.



mounting instructions:



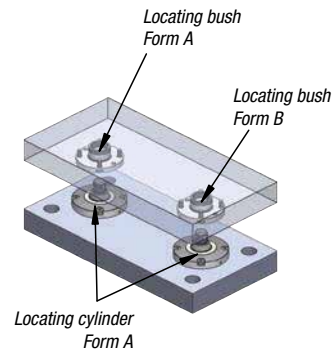
KIPP Locating bushes for pneumatic locating cylinder

Order No.	D	D1	D2	D3	D4	D5	D6	D7	D8	D9	H	H1	H2	H3	H4	H5
K1220.12	12,1	20	19,6	36	4,5	8	M4	28	19,8	37	8	10,5	7,5	3,5	8	8,5
K1220.16	16,1	25	24,6	44	5,5	9,5	M5	34	24,8	45	9,5	11	7	4	7,5	10

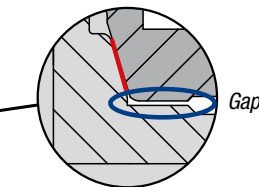
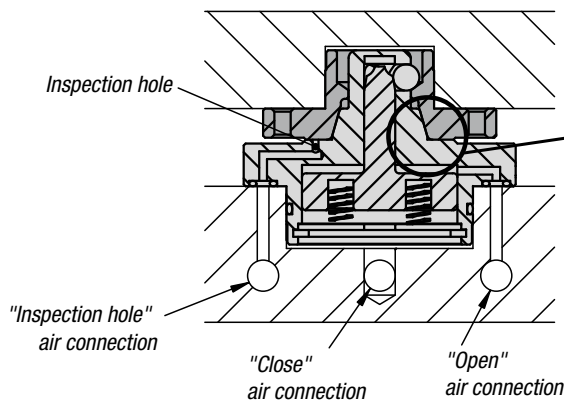
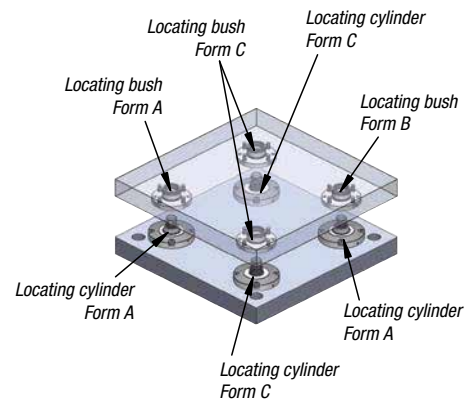
General information

1. The pneumatic positioning and clamping system enables rapid and precise positioning and fastening of tooling and base plates. The system consists of a locating cylinder and locating bush.
2. The locating cylinders are actuated pneumatically.
3. The positioning and clamping system is made ready for use in three easy steps:
Install two (or 4) locating cylinders on the machine table or baseplate. Likewise, the locating bushes with the interchangeable subplates are installed according to the specified dimensions.
To release the locating cylinder mechanism, blow compressed air into the opening circuit. This makes the clamping balls move inwards. Insert the interchangeable subplate with the locating bushes and actuate the air valve for the closing circuit. The open port should now be switched off.
The interchangeable subplate is now positioned and clamped.
To open the mechanism, an air connection of at least 4.5 bar is required.
4. When clamped, compressed air must remain connected to the „close“ port. The air valve remains opened.
If the air supply fails, the locating cylinder still clamps using the reduced force of the clamping springs.
5. There are 2 system sizes to choose from.

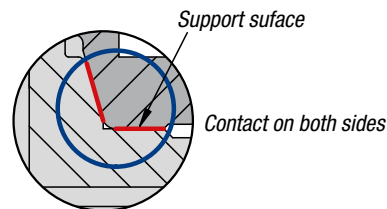
Application example for 2x clamping station:



Application example for 4x clamping station:



Tension-free state:
Contact between Form A locating cylinder (cone) and Form A locating bush.
Gap in the contact face.



Clamped state:
Cone surfaces and contact faces have contact.

- If the air supply fails, the wedge mechanism and the springs of the locating cylinder prevent a sudden reduction of the clamping force.

Clamping force of the locating cylinder when no air is connected (spring clamping force only):

- D1 = 70 ... 1.2 kN
- D1 = 85 ... 1.8 kN

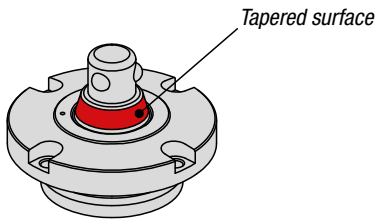
- The air connection for support control is used to check if the locating bush lies correctly on the locating cylinder.

- Repeat accuracy 3 µm.

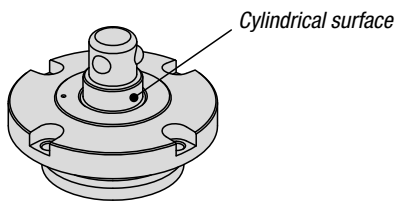
Pneumatic positioning and clamping system



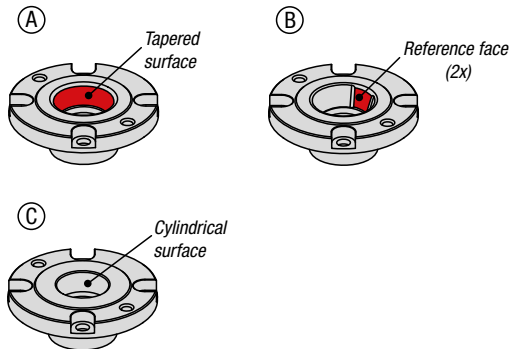
Function:



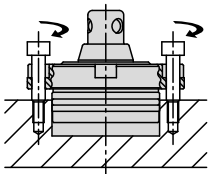
Positioning via tapered Form A locating cylinder



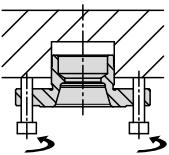
Clamping with cylindrical Form C locating cylinder



Disassembly of the locating cylinders:

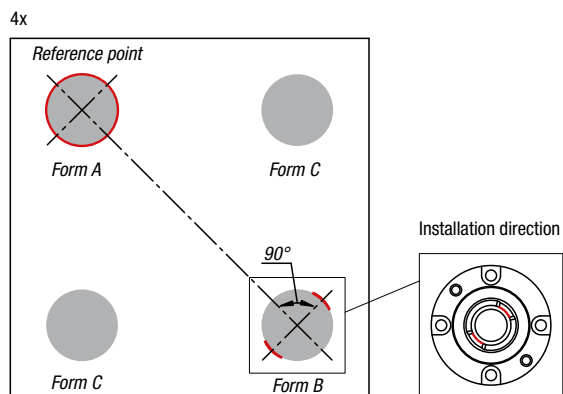
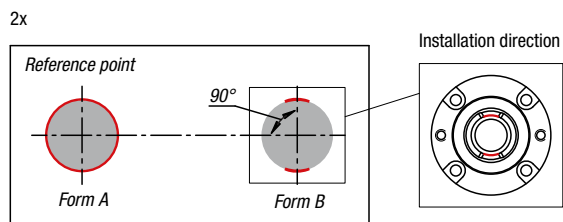


Disassembly of the locating bushes:



Arrangement of the locating bushes:

Mount the Form A locating bush (centring) and the Form B locating bush (compensation) as in the following illustrations. Observe the installation angle of the Form B locating bush (compensation), as this differs for a 2x station and a 4x station.



Locating cylinders

pneumatic



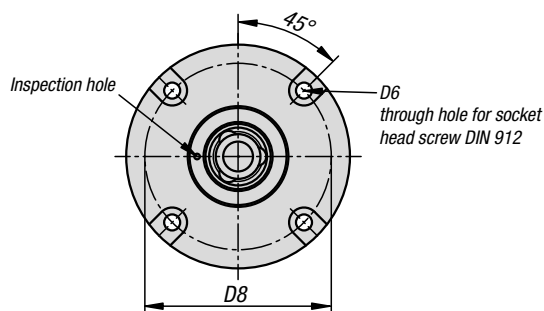
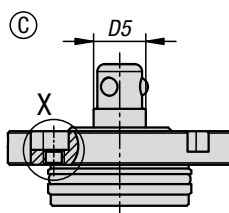
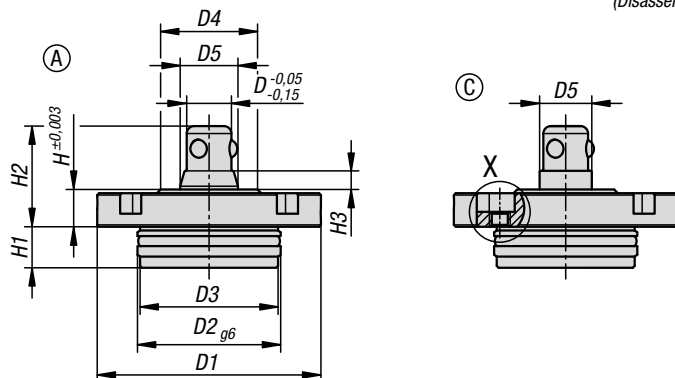
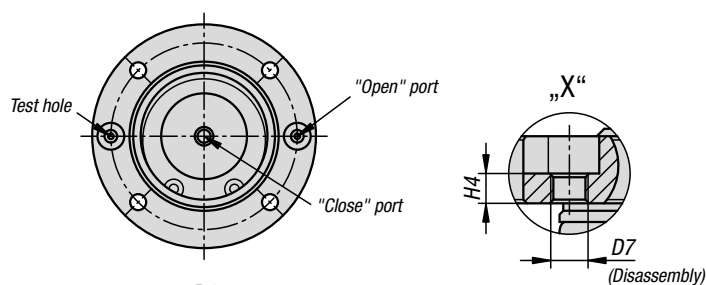
Material:
Housing and clamping cylinder, carbon steel.
Balls, stainless steel 1.0503.

Version:
Housing hardened and black oxidised.
Contact faces ground.

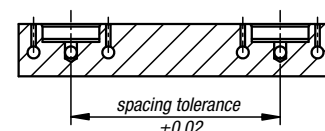
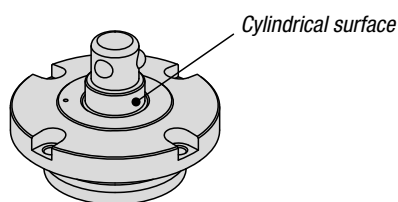
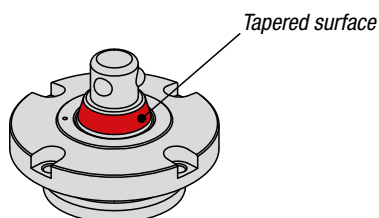
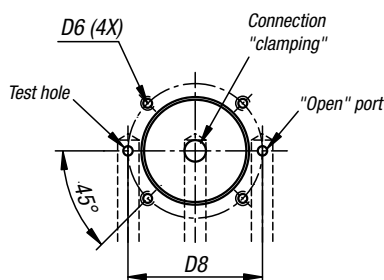
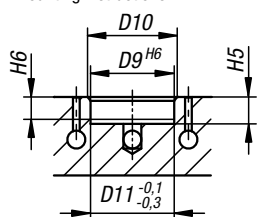
Sample order:
K1486.11670

Note:
This positioning and clamping system is especially suitable for installation in fixtures (plates, clamping tower blocks, etc.) in all mounting positions. The modular design allows the number of and distance between the locating cylinders to be ideally adjusted to suit the clamping task. Due to the small diameters, the spacing between the locating cylinders can also be reduced.

The 3 clamping balls are mechanically released through control of the locating cylinder with the „opening“ connection. The 3 clamping balls move inward and the fixture can be changed quickly. For clamping, the air is taken from the „opening“ connection and the „clamping“ connection then receives air from the locating cylinder. The 3 clamping balls are mechanically driven outward again and the new fixture is clamped. To achieve optimal retaining force, the locating cylinder remains connected to the air.



mounting instructions:



KIPP Locating cylinders pneumatic

Order No.	Type	Form	D	D1	D2	D3	D4	D5	D6	D7	D8	D9	D10	D11	H	H1	H2	H3	H4	H5	H6	Retaining force F1 N
K1486.11670	conical	A	16	70	48	47,5	38	24,5	M5	M6	60	48	50	48	12	15	35	8	5	16	12	4000
K1486.31670	cylindrical	C	16	70	48	47,5	38	20	M5	M6	60	48	50	48	12	15	35	8	5	16	12	4000
K1486.12085	conical	A	20	85	58	57,5	48	31,5	M6	M8	72	58	60	58	15	19	44	10	6	20	16	6300
K1486.32085	cylindrical	C	20	85	58	57,5	48	26	M6	M8	72	58	60	58	15	19	44	10	6	20	16	6300

Locating bushes

for pneumatic locating cylinder



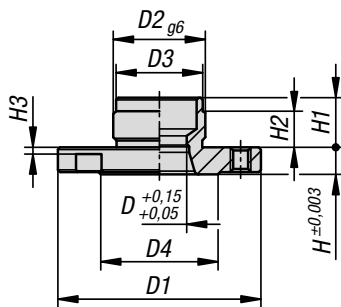
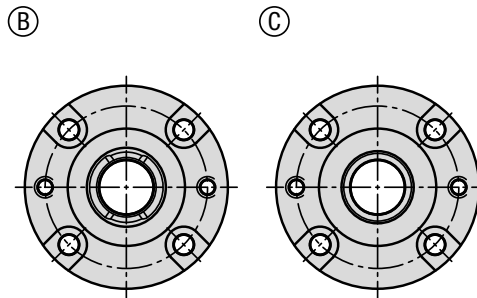
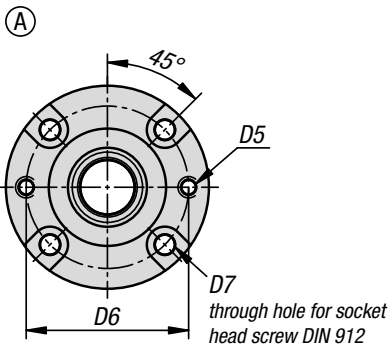
Material:
Carbon steel.

Version:
Housing hardened and black oxidised.
Contact faces ground.

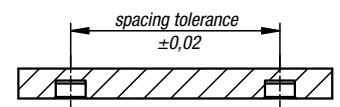
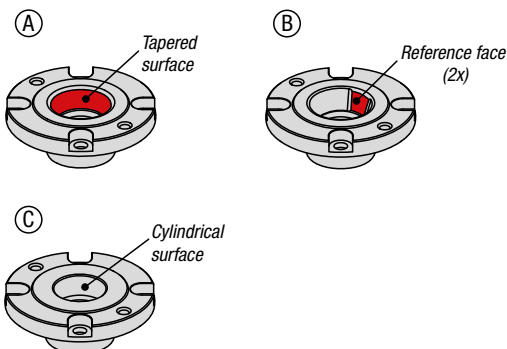
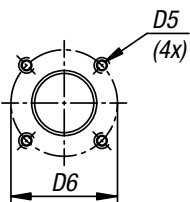
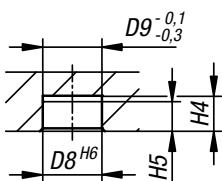
Sample order:
K1487.11660

Note:
Locating bushes are placed in a fixture or interchangeable subplate and form the counterpart to the locating cylinder. The locating bushes are centred in a reamed hole and then fastened with 4 screws. The balls of the locating cylinder engage in the groove in the locating bush, thereby forming a fast, secure and highly accurate changeover unit, and reducing setup and changeover times.

Attention:
Please observe installation notes of the locating bushes.



mounting instructions:



KIPP Locating bushes for pneumatic locating cylinder

Order No. Form A	Order No. Form B	Order No. Form C	D	D1	D2	D3	D4	D5	D6	D7	D8	D9	H	H1	H2	H3	H4	H5
K1487.11660	K1487.21660	K1487.31660	16	60	28	27,5	38	M5	50	M5	28	28	8	15	10	2,5	16	12
K1487.12075	K1487.22075	K1487.32075	20	75	36	35,5	48	M6	62	M6	36	36	10	19	14	3,5	20	16

HEINRICH KIPP WERK KG

Heubergstraße 2

72172 Sulz am Neckar

GERMANY

Tel. +49 7454 793-0

Fax +49 7454 793-7982

info@kipp.com

www.kipp.com

