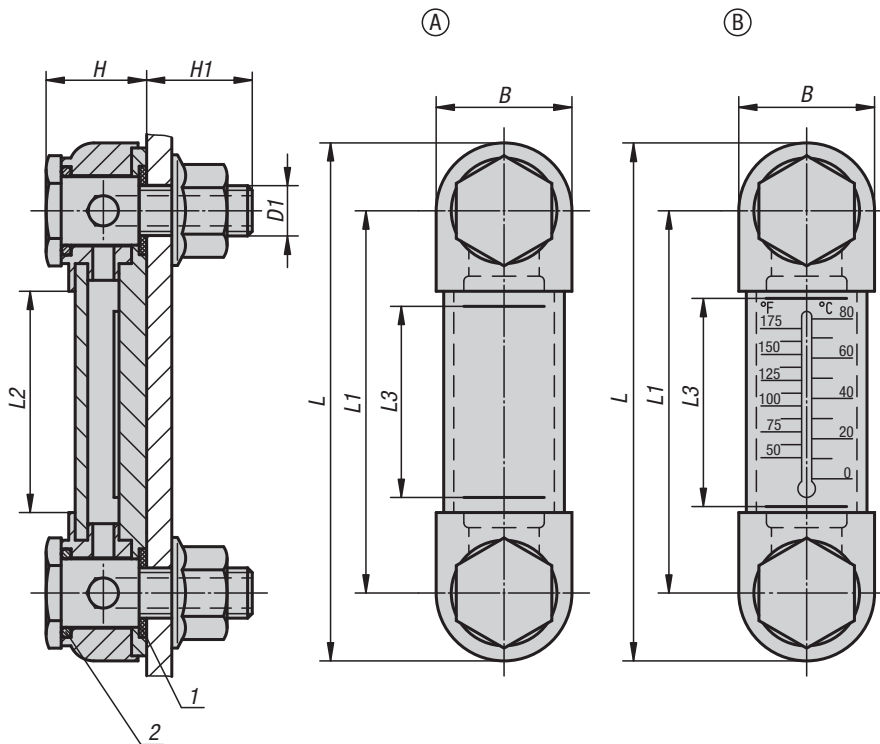


Level indicators, screw plugs





Material:

Housing thermoplastic polyamide.
O-ring and flat seal rubber (NBR).
Reflector aluminium.
Screw and hex nut steel.

Version:

Transparent housing, high mechanical stability, non-ageing, temperature resistant up to 100 °C.
Pressure resistant at 20 °C up to 10 bar, at 60 °C up to 8 bar.
Reflector painted white, line marks and scale black.
Screw and hexagon nut, galvanized.

Sample order:

K0443.1127

Note:

The oil level gauges can either be fastened as shown in the illustration or directly in the tapped hole. Centre distance for the fastening holes = $L1 \pm 0.3$.
The max. tightening torque for the fastening screws is 5 Nm.

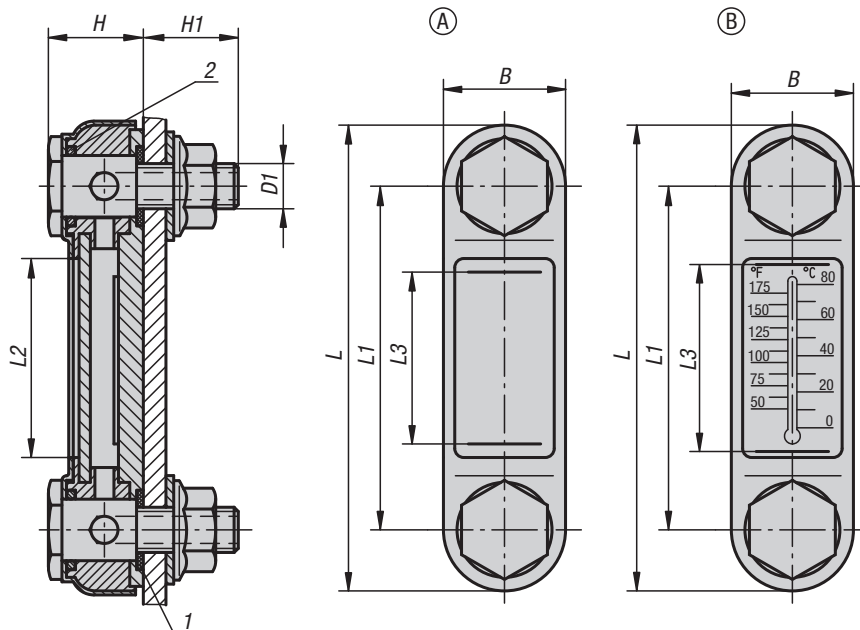
Drawing reference:

Form A: without thermometer
Form B: with thermometer

- 1) flat seal
- 2) O-ring

KIPP Oil level gauges

Order No.	Form	B	D1	H	H1	L	L1	L2	L3	Number of fastening screws	Thermometer scale
K0443.1076	A	27	M10	20	21	103	76	44	37	2	-
K0443.1127	A	27	M12	19	18	151	127	95	80	2	-
K0443.2076	B	27	M10	20	21	103	76	44	37	2	0 - 80 °C / 50 - 175 °F
K0443.2127	B	27	M12	19	18	151	127	95	80	2	0 - 100 °C / 50 - 200 °F



Material:

Housing steel.
Viewing glass thermoplastic polyamide.
O-ring and flat seal rubber (NBR).
Reflector aluminium.
Screw and hex nut steel.

Version:

Housing painted black.
Transparent viewing glass, high mechanical stability, non-ageing, temperature resistant with oil up to 100 °C, with water up to 70 °C.
Reflector painted white, markings and scale black.
Screw and hexagon nut, galvanized.

Sample order:

K0444.107610

Note:

The oil level gauges can either be fastened as shown in the illustration or directly in the threaded hole.
Centre distance for the fastening holes = $L1 \pm 0.5$.
The oil level gauges are suitable for tanks operating without pressure.
Maximum operating temperature: 100 °C.

Drawing reference:

Form A: without thermometer
Form B: with thermometer

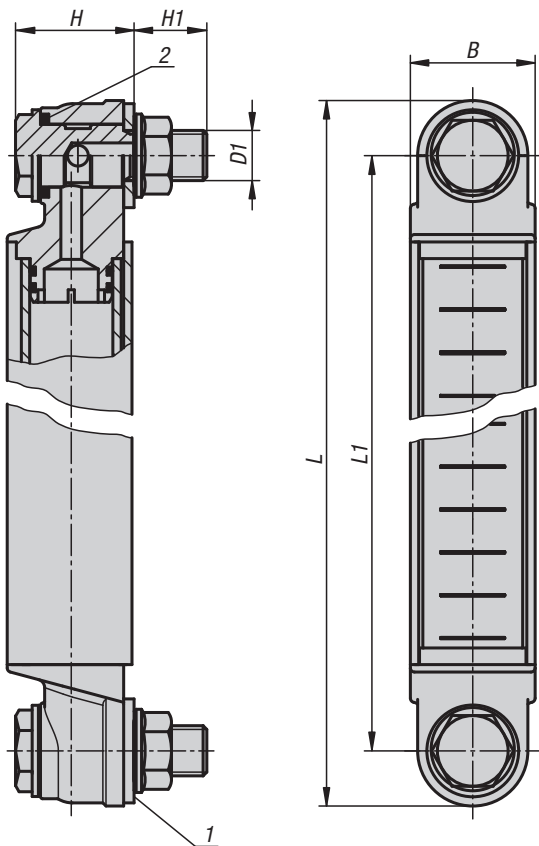
- 1) flat seal
- 2) O-ring

KIPP Oil level gauges

Order No.	Form	B	D1	H	H1	L	L1	L2	L3	Number of fastening screws	Thermometer scale
K0444.107610	A	31	M10	24,5	20	107	76	39	37	2	-
K0444.107612	A	31	M12	24,5	20	107	76	39	37	2	-
K0444.112710	A	31	M10	24,5	20	156	127	90	80	2	-
K0444.112712	A	31	M12	24,5	20	156	127	90	80	2	-
K0444.125412	A	34	M12	33	17	286	254	200	178	2	-
K0444.207610	B	31	M10	24,5	20	107	76	39	37	2	0 - 80 °C / 50 - 175 °F
K0444.207612	B	31	M12	24,5	20	107	76	39	37	2	0 - 80 °C / 50 - 175 °F
K0444.212710	B	31	M10	24,5	20	156	127	90	80	2	0 - 100 °C / 50 - 200 °F
K0444.212712	B	31	M12	24,5	20	156	127	90	80	2	0 - 100 °C / 50 - 200 °F
K0444.225412	B	34	M12	33	17	286	254	200	178	2	0 - 100 °C / 50 - 200 °F

Oil level gauge

long version



Material:

Housing aluminium.
 Tube polycarbonate.
 Caps polyamide.
 O-ring and flat seal NBR, Shore 70.
 Screw and hex. nut steel.

Version:

Viewing glass transparent.
 Screws and hexagon nuts galvanized.

Sample order:

K1100.1400

Note:

The oil level gauges can either be fastened as shown in the illustration or directly in the tapped hole. Centre distance for the fastening holes = $L1 \pm 0.3$. The maximum operating temperature is 90 °C. The maximum pressure is 1 bar. The maximum tightening torque of the fastening screws is 5 Nm.

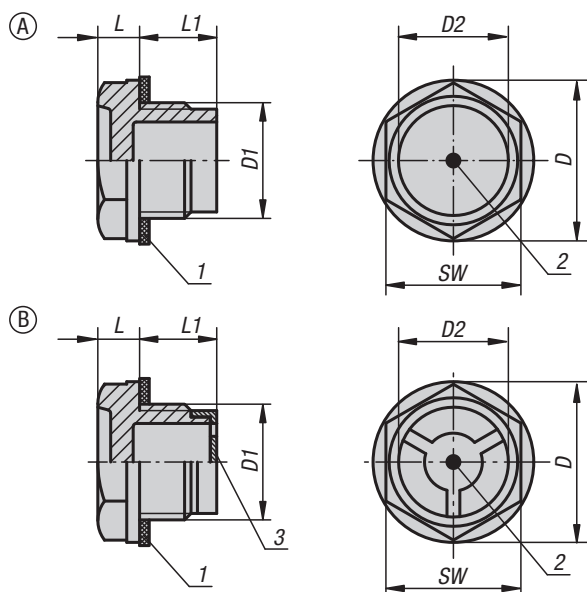
Drawing reference:

- 1) flat seal
- 2) O-ring

KIPP Oil level gauge long version

Order No.	B	D1	H	H1	L	L1
K1100.1300	30	M12	30	16,5	325	300
K1100.1400	30	M12	30	16,5	425	400
K1100.1500	30	M12	30	16,5	525	500

Oil level sight glasses



Material:
Housing in thermoplastic polyamide.
Plastic reflector.

Version:
Housing, transparent, high mechanical stability, non-ageing, temperature resistant up to 90 °C; resistant to solvents but not to alcohol or frost.
Flat seal, asbestos-free.
Reflector white.

Sample order:
K0445.143100

On request:
Rubber gasket (NBR).

Drawing reference:
Form A: without reflector
Form B: with reflector

KIPP Oil level sight glasses

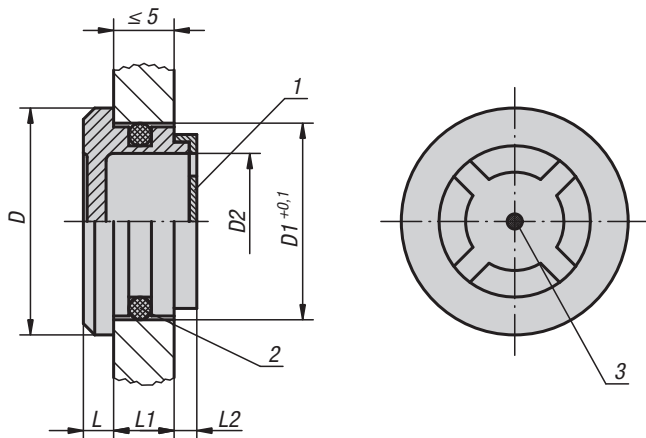
Order No.	Form	D	D1	D2	L	L1	SW	Tightening torque max. Nm
K0445.120014	A	20	G1/4	15	7	8	17	6
K0445.122038	A	22	G3/8	14	6,5	10,5	18	8
K0445.128012	A	28	G1/2	16	8	11	24	12
K0445.135034	A	35	G3/4	21	8	12	30	16
K0445.143100	A	43	G1	32	11	12	36	-
K0445.151114	A	51	G1 1/4	33	10	16	42	-
K0445.158112	A	58	G1 1/2	40	12	16	50	-
K0445.174200	A	74	G2	48	12	22	64	-
K0445.1201415	A	20	M14x1,5	15	7	8	17	7
K0445.1221615	A	22	M16x1,5	14	6,5	10	18	8
K0445.1251815	A	25	M18x1,5	16	7	10,5	21	10
K0445.1282015	A	28	M20x1,5	18	7,5	11	24	16
K0445.1282215	A	28	M22x1,5	16	7,5	12,5	24	12
K0445.1362615	A	36	M26x1,5	21	8,5	13,5	30	21
K0445.1362715	A	36	M27x1,5	21	8,5	13,5	30	21
K0445.1514015	A	51	M40x1,5	32	10	17	42	-
K0445.222038	B	22	G3/8	14	6,5	10,5	18	8
K0445.228012	B	28	G1/2	16	8	11	24	12
K0445.235034	B	35	G3/4	21	8	12	30	16
K0445.243100	B	43	G1	32	11	12	36	-
K0445.251114	B	51	G1 1/4	33	10	16	42	-
K0445.258112	B	58	G1 1/2	40	12	16	50	-
K0445.274200	B	74	G2	48	12	22	64	-
K0445.2221615	B	22	M16x1,5	14	6,5	10	18	8
K0445.2251815	B	25	M18x1,5	16	7	10,5	21	10
K0445.2282015	B	28	M20x1,5	18	7,5	11	24	16
K0445.2282215	B	28	M22x1,5	16	7,5	12,5	24	12
K0445.2362615	B	36	M26x1,5	21	8,5	13,5	30	21
K0445.2362715	B	36	M27x1,5	21	8,5	13,5	30	21
K0445.2514015	B	51	M40x1,5	32	10	17	42	-

- 1) flat seal
- 2) check mark
- 3) reflector



Oil level sight glasses

press-in



Material:

Housing thermoplastic polyamide.
O-ring NBR, Shore 70.
Reflector plastic.

Version:

Housing, transparent, high mechanical stability, non-ageing, temperature resistant up to 90 °C, resistant to solvents but not to alcohol or frost.
Reflector white.

Sample order:

K0446.3026

Note:

For use where there is no internal pressure.

Drawing reference:

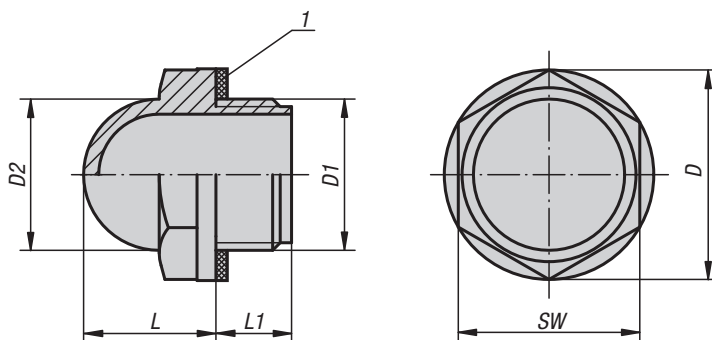
- 1) reflector
- 2) O-ring
- 3) check mark

KIPP Oil level sight glasses, press-in

Order No.	D	drill-Ø D1	D2	L	L1	L2
K0446.2420	24	20	14	4	7	3
K0446.3026	30	26	20	4	8	3,5
K0446.3632	36	32	24	4	9	4
K0446.4238	42	38	30	4	10	4
K0446.4440	44	40	32	4	10	4

Oil level sight glasses

domed



Material:

Housing in thermoplastic polyamide.

Version:

Housing, transparent, high mechanical stability, non-ageing, temperature resistant with oil up to 100 °C, with water up to 70 °C. Resistant to solvents but not alcohol.
Flat seal, asbestos-free.

Sample order:

K0447.28012

On request:

Rubber gasket (NBR).

Drawing reference:

- 1) flat seal

KIPP Oil level sight glasses, domed

Order No.	D	D1	D2	L	L1	SW	Tightening torque max. Nm
K0447.22038	22	G3/8	15	14	10	19	8
K0447.28012	28	G1/2	20	17	10	24	12
K0447.35034	35	G3/4	25	20	10	30	16
K0447.42100	42	G1	31	24	10,5	36	20

Oil level sight glasses

aluminium



Material:

Housing in aluminium.
Reflector in aluminium or white plastic.
Polyamide viewing lens.

Version:

Transparent viewing lens, temperature-resistant with oil up to 100 °C, with water up to 70 °C.
Flat seal, asbestos-free.

Sample order:

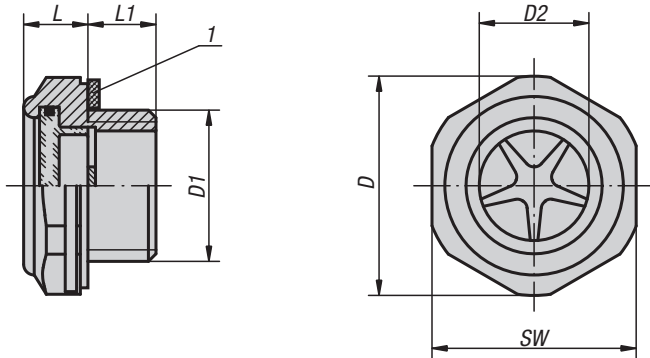
K0448.29012

Note:

The G3/8" and M18x1.5 versions have a white plastic reflector.

Drawing reference:

1) flat seal



KIPP Oil level sight glasses, aluminium

Order No.	D	D1	D2	L	L1	SW	Tightening torque max. Nm	Pressure load max. bar
K0448.20014	20	G1/4	11	8	8	17	9	10
K0448.24038	24,1	G3/8	12,7	9,5	9	22	12	10
K0448.29012	29,7	G1/2	15	10	9	27	18	10
K0448.36034	35,2	G3/4	21,9	10	11	32	24	10
K0448.42100	44,1	G1	25,1	11	11	40	-	10
K0448.52114	55	G1 1/4	34	13,5	12	50	-	10
K0448.241815	24,5	M18x1,5	13	10	9	22	12	10
K0448.292215	29,5	M22x1,5	16	10	9	27	18	10

Oil level sight glasses

aluminium, glass window



Material:

Housing, reflector in aluminium.
Natural, clear glass viewing lens.
Internal seal, Viton®.

Version:

Viewing lens, temperature-resistant to 150 °C.
Flat seal, asbestos-free.

Sample order:

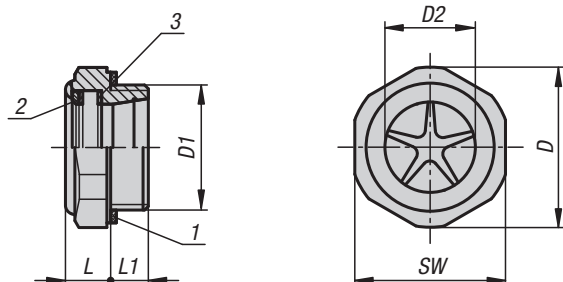
K0246.29012

Note:

Resists high pressure and heat. Natural glass as the viewing lens ensures optimal light transmission and high surface hardness.

Drawing reference:

- 1) flat seal
- 2) external seal
- 3) internal seal

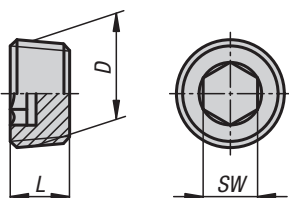


KIPP Oil level sight glasses, aluminium, glass window

Order No.	D	D1	D2	L	L1	SW	Tightening torque max. Nm	Pressure load max. bar
K0246.29012	29,5	G 1/2	12	10	9	27	18	20
K0246.34034	34,5	G 3/4	16	12	10	32	24	20
K0246.42100	42,5	G 1	23	12	10	40	-	20
K0246.292015	29,5	M20x1,5	12	10	9	27	18	20
K0246.423315	42,5	M33x1,5	23	12	10	40	-	20

Screw plugs with hexagon socket

DIN 906, tapered thread

**Material:**

Steel or stainless steel 1.4571.

Version:

Steel galvanized.

Stainless steel bright.

Sample order:

K1129.100810

Note:

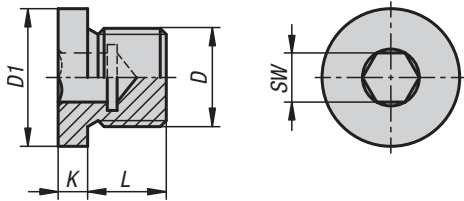
Screw plugs with hexagon socket and tapered threads are suitable for plugging holes with parallel threads.

KIPP Screw plugs with hexagon socket with tapered thread DIN 906

Order No. steel	Order No. stainless steel	D	L	SW
K1129.100810	K1129.200810	M8x1	8	4
K1129.101010	K1129.201010	M10x1	8	5
K1129.101215	K1129.201215	M12x1,5	10	6
K1129.101415	K1129.201415	M14x1,5	10	7
K1129.101615	K1129.201615	M16x1,5	10	8
K1129.101015	K1129.201815	M18x1,5	10	8
K1129.102015	K1129.202015	M20x1,5	10	10
K1129.102215	K1129.202215	M22x1,5	10	10
K1129.102415	K1129.202415	M24x1,5	12	12
K1129.102615	-	M26x1,5	12	12
K1129.103015	-	M30x1,5	12	17
K1129.103615	-	M36x1,5	15	19
K1129.104215	-	M42x1,5	18	22
K1129.104815	-	M48x1,5	20	24
K1129.10018	K1129.2001815	R1/8	8	5
K1129.10014	K1129.2001415	R1/4	10	7
K1129.10038	K1129.2003815	R3/8	10	8
K1129.10012	K1129.2001215	R1/2	10	10
K1129.10034	K1129.2003415	R3/4	12	12
K1129.10100	K1129.2010015	R1	12	17
K1129.10114	-	R1 1/4	18	22
K1129.10112	-	R1 1/2	20	24

Screw plugs with collar and hexagon socket

DIN 908



Material:
Steel.

Version:
galvanized.

Sample order:
K1130.100810

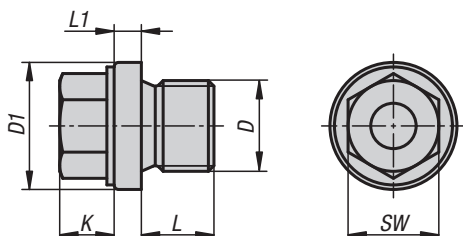
Note:
Screw plugs with collar and hexagon socket for plugging holes with parallel threads.

KIPP Screw plugs with collar and hexagon socket DIN 908

Order No.	D	D1	K	L	SW
K1130.100810	M8x1	12	3	8	4
K1130.101010	M10x1	14	3	8	5
K1130.101215	M12x1,5	17	3	12	6
K1130.101415	M14x1,5	19	3	12	6
K1130.101615	M16x1,5	21	3	12	8
K1130.101815	M18x1,5	23	4	12	8
K1130.102015	M20x1,5	25	4	14	10
K1130.102215	M22x1,5	27	4	14	10
K1130.102415	M24x1,5	29	4	14	12
K1130.102615	M26x1,5	31	4	16	12
K1130.102720	M27X2	32	4	16	12
K1130.103015	M30x1,5	36	4	16	17
K1130.103320	M33X2	39	5	16	17
K1130.103615	M36x1,5	42	5	16	19
K1130.104215	M42x1,5	49	5	16	22
K1130.104220	M42X2	49	5	16	22
K1130.104815	M48x1,5	55	5	16	24
K1130.104820	M48X2	55	5	16	24
K1130.10018	G1/8	14	3	8	5
K1130.10014	G1/4	18	3	12	6
K1130.10038	G3/8	22	3	12	8
K1130.10012	G1/2	26	4	14	10
K1130.10034	G3/4	32	4	16	12
K1130.10100	G1	39	5	16	17
K1130.10114	G1 1/4	49	5	16	22
K1130.10112	G1 1/2	55	5	16	24

Screw plugs hex head with collar

DIN 910



Material:
Steel.

Version:
galvanized.

Sample order:
K1131.101010

Note:
Screw plugs with collar and hexagonal head for plugging holes with parallel threads.

KIPP Hexagon head screw plugs with collar DIN 910

Order No.	D	D1	K	L	L1	SW
K1131.101010	M10x1	14	6	8	3	10
K1131.101215	M12x1,5	17	6	12	3	13
K1131.101415	M14x1,5	19	6	12	3	13
K1131.101615	M16x1,5	21	6	12	3	17
K1131.101815	M18x1,5	23	8	12	4	17
K1131.102015	M20x1,5	25	8	14	4	19
K1131.102215	M22x1,5	27	8	14	4	19
K1131.102415	M24x1,5	29	9	14	4	22
K1131.102615	M26x1,5	31	10	16	4	24
K1131.102720	M27X2	32	10	16	4	24
K1131.103015	M30x1,5	36	10	16	4	24
K1131.103320	M33X2	39	11	16	5	27
K1131.103615	M36x1,5	42	11	16	5	27
K1131.104215	M42x1,5	49	12	16	5	30
K1131.104220	M42X2	49	12	16	5	30
K1131.104815	M48x1,5	55	12	16	5	30
K1131.104820	M48X2	55	12	16	5	30
K1131.10018	G1/8	14	6	8	3	10
K1131.10014	G1/4	18	6	12	3	13
K1131.10038	G3/8	22	6	12	3	17
K1131.10012	G1/2	26	8	14	4	19
K1131.10034	G3/4	32	10	16	4	24
K1131.10100	G1	39	11	16	5	27
K1131.10114	G1 1/4	49	12	16	5	30
K1131.10112	G1 1/2	55	12	16	5	30





Material:

Elastomer, soft polyurethane

Version:

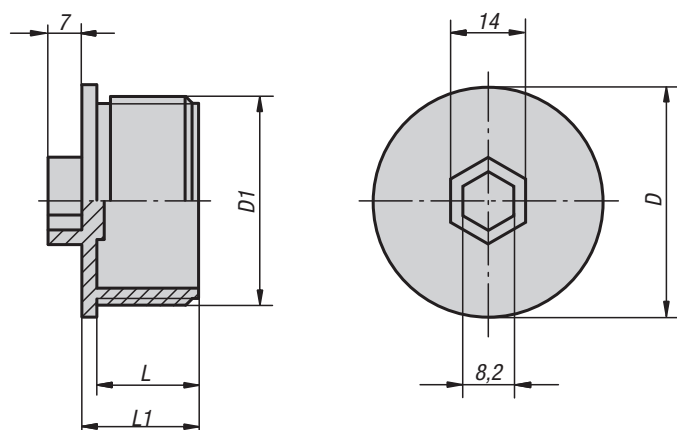
Red

Sample order:

K0449.038

Note:

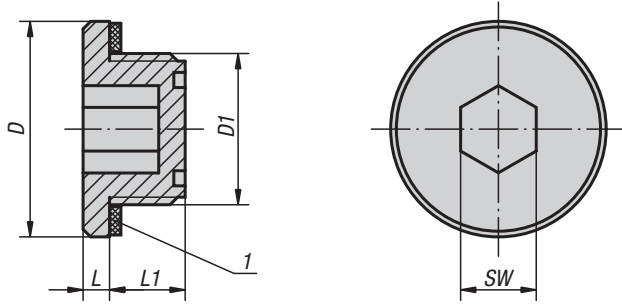
The double-lip seal guarantees a seal for pressures of 2-3 bar. It also keeps paint out during painting.



KIPP Screw plugs

Order No.	D	D1	L	L1
K0449.018	16,2	G1/8	8	10
K0449.014	18,1	G1/4	9,9	12,5
K0449.038	21	G3/8	9	11
K0449.012	25,2	G1/2	11	14
K0449.034	31,3	G3/4	11,5	14
K0449.100	36	G1	12	15,5

Screw plugs



Material:

Thermoplastic polyamide 66, reinforced with 30% fibreglass.

Version:

Black. Flat seal asbestos-free

Sample order:

K0450.22038

Note:

Temperature resistance:
Continuous operating temperature 100°C.
Short-term operating temperature 120°C.

On request:

O-ring or materials with higher stability.

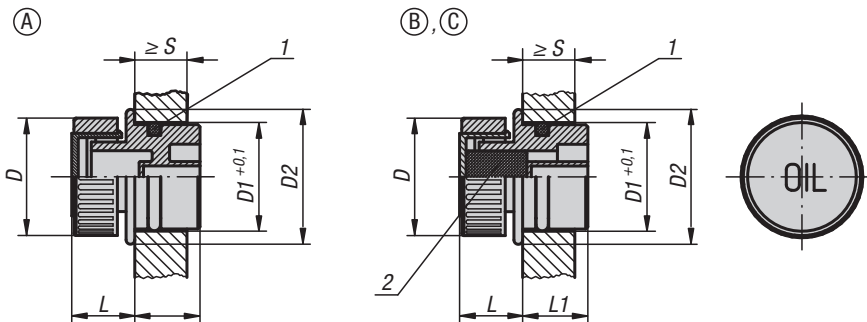
Drawing reference:

1) flat seal

KIPP Screw plugs

Order No.	D	D1	L	L1	SW	Tightening torque max. Nm
K0450.18014	18,2	G1/4	2,5	8	6	3
K0450.22038	22,5	G3/8	3,5	10,5	8	6
K0450.28012	28,5	G1/2	3,5	10,5	10	8
K0450.35034	35	G3/4	4	10,5	12	10
K0450.201415	20	M14x1,5	2,5	8	6	3
K0450.221615	22,5	M16x1,5	3,5	11	8	6
K0450.261815	26	M18x1,5	3	10	10	7
K0450.282015	28,5	M20x1,5	3	11	10	7
K0450.282215	28,5	M22x1,5	3,5	10,5	10	7
K0450.352615	35	M26x1,5	3	12	12	10

Press-in plugs



Material:

Housing and cap thermoplastic polyamide 66.
Air filter polyurethane (PU foam).
O-ring rubber (NBR).

Version:

Housing black. Cap red. Filter mesh 50 µm.

Sample order:

K0451.33030

Note:

Temperature resistant up to 100°C.

Drawing reference:

Form A: without vent
Form B: with vent
Form C: with vent and air filter

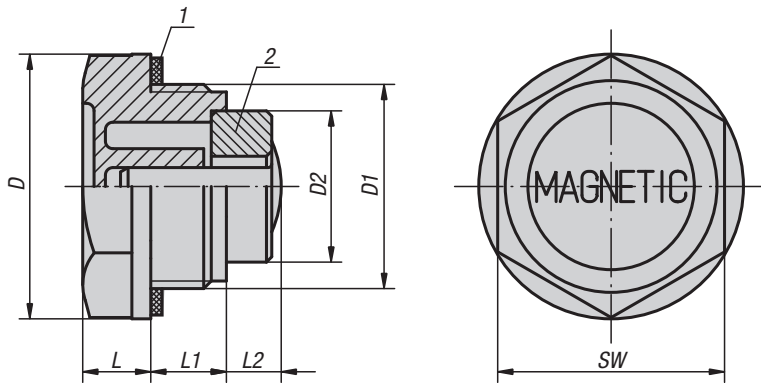
KIPP Press-in plugs

Order No. Form A	Order No. Form B	Order No. Form C	D	drill-Ø D1	D2	L	L1	S min.
K0451.13018	K0451.23018	K0451.33018	30	18	23	14	14	8
K0451.13020	K0451.23020	K0451.33020	30	20	24	14	15,5	8
K0451.13026	K0451.23026	K0451.33026	30	26	30	14	16,5	9,5
K0451.13030	K0451.23030	K0451.33030	30	30	34	14	17	9,5

1) O-ring

2) air filter Form C only

Screw plugs with magnet



Material:

Thermoplastic polyamide 66. Ferrite permanent magnet.

Version:

Black. Flat seal asbestos-free

Sample order:

K0452.22038

Note:

Temperature resistant with oil up to 100°C, with water up to 70°C.

The magnetic effect of the screw plug attracts iron particles in the oil.

Screwing the plug into the drain outlet diminishes possible damage to mechanical components.

Drawing reference:

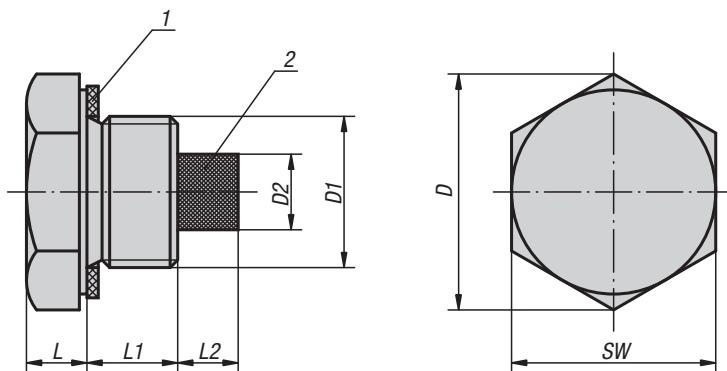
- 1) flat seal
- 2) magnet

KIPP Screw plugs with magnet

Order No.	D	D1	D2	L	L1	L2	SW
K0452.20014	20	G1/4	8	7	9	5	17
K0452.22038	22	G3/8	13	7,5	10	10	18
K0452.27012	27	G1/2	13	8	11	9	24
K0452.34034	34	G3/4	19,6	9	11	6,5	30
K0452.42100	42	G1	19,6	10,5	12	14	35
K0452.201415	20	M14x1,5	8	7	9	5	17

Screw plugs aluminium

with magnet



Material:

Aluminium. Ferrite permanent magnet.

Version:

Bright. Flat seal asbestos-free.

Sample order:

K0453.24038

Note:

The magnetic effect of the screw plug attracts iron particles in the oil.

Screwing the plug into the drain outlet diminishes possible damage to mechanical components.

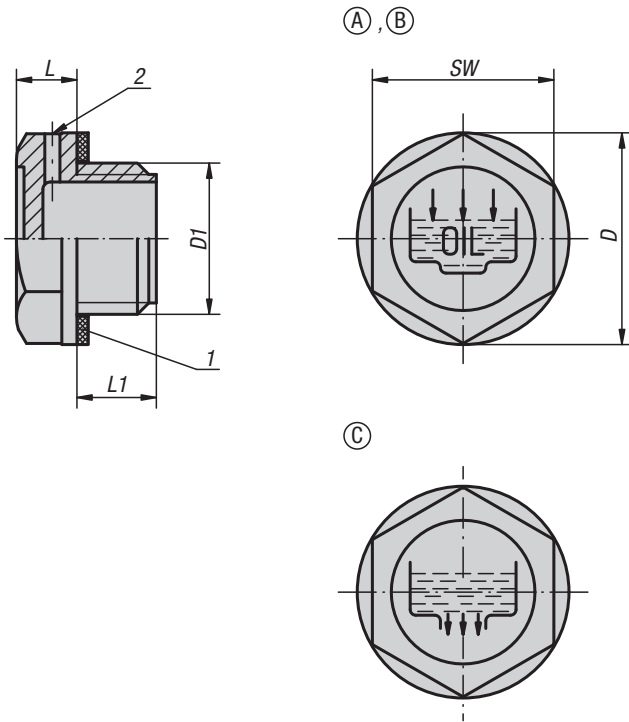
Drawing reference:

- 1) flat seal
- 2) magnet

KIPP Screw plugs aluminium with magnet

Order No.	D	D1	D2	L	L1	L2	SW
K0453.21014	21	G1/4	5	7	10	6	19
K0453.24038	24,5	G3/8	8	7	10	7	22
K0453.30012	30	G1/2	10	8	10	7	27
K0453.36034	36,5	G3/4	13	8	10	7	34
K0453.42100	42,5	G1	13	8	14	7	40

Screw plugs



Material:

Thermoplastic polyamide 66

Version:

Black. Flat seal asbestos-free

Sample order:

K0454.142100

Note:

Temperature resistant up to 100°C.

Drawing reference:

Form A: with fill symbol

Form B: with fill symbol and vent hole

Form C: with drain symbol

1) flat seal

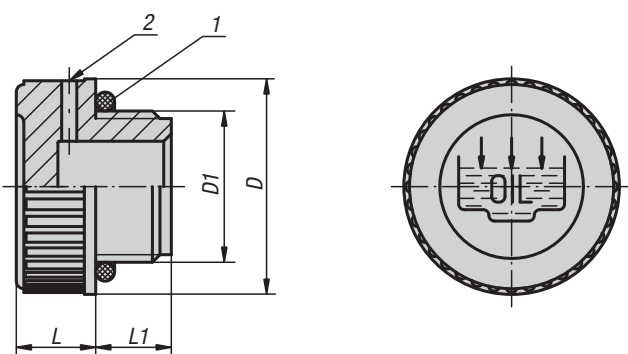
2) vent hole Form B only

KIPP Screw plugs

Order No. Form A	Order No. Form B	Order No. Form C	D	D1	L	L1	SW	Tightening torque max. Nm
K0454.119014	K0454.219014	K0454.319014	19,5	G1/4	7	9	17	5
K0454.122038	K0454.222038	K0454.322038	22	G3/8	7,5	10	18	8
K0454.128012	K0454.228012	K0454.328012	28	G1/2	7,5	11	24	9
K0454.134034	K0454.234034	K0454.334034	34	G3/4	9	11	30	11
K0454.142100	K0454.242100	K0454.342100	42	G1	10,5	12	35	-
K0454.151114	K0454.251114	K0454.351114	51	G1 1/4	12	13,5	42	-
K0454.158112	K0454.258112	K0454.358112	58	G1 1/2	10	14,5	50	-
K0454.174200	K0454.274200	K0454.374200	74	G2	13,5	16	64	-
K0454.1191415	K0454.2191415	K0454.3191415	19,5	M14x1,5	7	9	17	5
K0454.1211615	K0454.2211615	K0454.3211615	21	M16x1,5	7,5	10	18	6
K0454.1261815	K0454.2261815	K0454.3261815	26	M18x1,5	7,5	10	21	7
K0454.1282015	K0454.2282015	K0454.3282015	28	M20x1,5	8	10	24	8
K0454.1282215	K0454.2282215	K0454.3282215	28	M22x1,5	8	11	24	10
K0454.1524015	K0454.2524015	K0454.3524015	52	M40x1,5	10	13	42	-

Plugs fill

knurled cap



Material:

Thermoplastic polyamide 66;
O-ring in rubber (NBR)

Version:

black.

Sample order:

K0455.128012

Note:

Temperature resistant up to 100°C.

Drawing reference:

Form A: with fill symbol

Form B: with fill symbol and vent hole

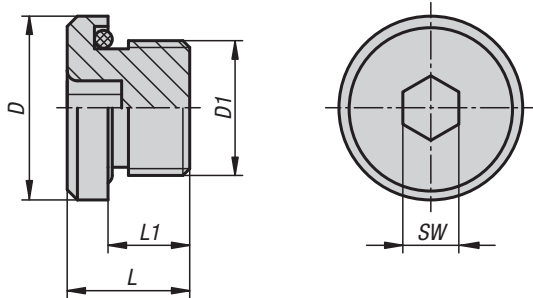
1) O-ring

2) vent hole only Form B

KIPP Plugs fill, knurled cap

Order No.	Form	D	D1	L	L1
K0455.120014	A	20	G1/4	9	9
K0455.120038	A	20,5	G3/8	9	10
K0455.128012	A	28	G1/2	10,5	10,5
K0455.131034	A	31	G3/4	12	11
K0455.139100	A	39	G1	12	12
K0455.149114	A	49	G1 1/4	13	13,5
K0455.155112	A	55	G1 1/2	14,7	14,5
K0455.168200	A	68,5	G2	15	16
K0455.1201415	A	20	M14x1,5	9	9
K0455.1201615	A	20	M16x1,5	9	10
K0455.1281815	A	28	M18x1,5	10,5	10
K0455.1282015	A	28	M20x1,5	10,5	10
K0455.1282215	A	28	M22x1,5	10,5	10
K0455.220014	B	20	G1/4	9	9
K0455.220038	B	20,5	G3/8	9	10
K0455.228012	B	28	G1/2	10,5	10,5
K0455.231034	B	31	G3/4	12	11
K0455.239100	B	39	G1	12	12
K0455.249114	B	49	G1 1/4	13	13,5
K0455.255112	B	55	G1 1/2	14,7	14,5
K0455.268200	B	68,5	G2	15	16
K0455.2201415	B	20	M14x1,5	9	9
K0455.2201615	B	20	M16x1,5	9	10
K0455.2281815	B	28	M18x1,5	10,5	10
K0455.2282015	B	28	M20x1,5	10,5	10
K0455.2282215	B	28	M22x1,5	10,5	10

Screw plugs with hexagon socket



Material:
Steel 1.0737.
O-ring NBR, Shore 90.

Version:
Bright.

Sample order:
K1102.15018

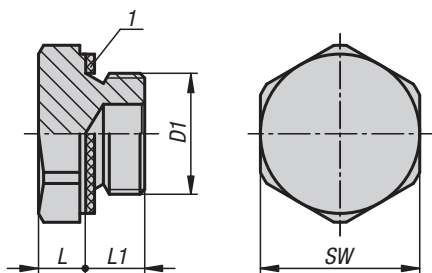
Note:
Operating temperature: -20°C / +100°C.
Operating pressure: max. 70 bar for static application.

KIPP Screw plugs with hexagon socket

Order No.	D	D1	L	L1	SW
K1102.15018	15	G 1/8	13	9	4
K1102.19014	19	G1/4	16	11	6
K1102.22038	22	G 3/8	17	11	6
K1102.27012	27	G 1/2	20	14	8
K1102.32034	32	G 3/4	20	14	12
K1102.40001	40	G 1	22	16	12
K1102.50114	50	G1 1/4	25	18	12
K1102.55112	55	G 1 1/2	24	17	24
K1102.141010	15	M10X1	12	8	5
K1102.171215	17	M12X1,5	16	10	6
K1102.191415	19	M14X1,5	16	10	6
K1102.221615	22	M16X1,5	16	10	6
K1102.251815	25	M18X1,5	17	11	8
K1102.272015	27	M20X1,5	18	12	8
K1102.282215	28	M22X1,5	18	12	10
K1102.322615	32	M26X1,5	20	13,5	12
K1102.322702	32	M27x2	20	13,5	12
K1102.403302	40	M33x2	21	15	17
K1102.504202	50	M42x2	24	17	22
K1102.554802	55	M48x2	24	17	24



Screw plugs aluminium



Material:
Aluminium.

Version:
Bright. Flat seal asbestos-free.

Sample order:
K1104.19014

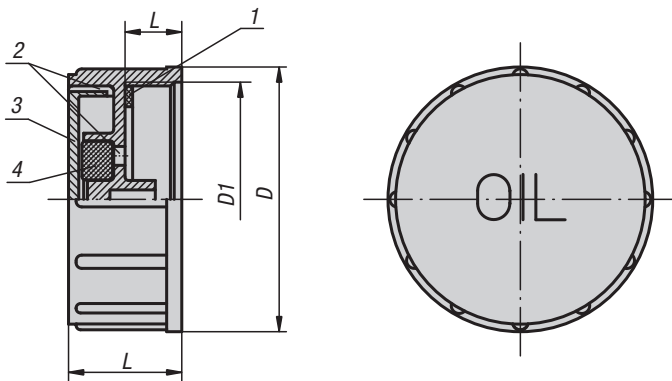
On request:
Cap marked OIL.

Drawing reference:
1) flat seal

KIPP Screw plugs aluminium

Order No.	D1	L	L1	SW
K1104.141010	M10x1	5	8	14
K1104.171215	M12x1,5	6	8	17
K1104.171415	M14x1,5	6	8	17
K1104.221615	M16x1,5	7	10	22
K1104.221815	M18x1,5	7	10	22
K1104.242015	M20x1,5	7	10	24
K1104.19014	G 1/4	7	10	19
K1104.22038	G 3/8	7	10	22
K1104.27012	G 1/2	8	10	27
K1104.34034	G 3/4	8	10	34
K1104.40100	G 1	8	14	40

Caps for filler necks



Material:

Housing and cap thermoplastic polyamide 66.
Air filter polyurethane (PU foam).
Flat seal NBR, Shore 70.

Version:

Black housing.
Red cap.
Filter mesh 40 µm.

Sample order:

K0456.67200

Note:

Temperature resistant up to 100°C.

On request:

Cap in yellow for diesel oil.

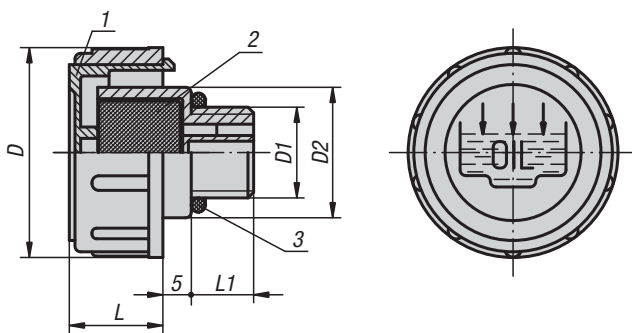
Drawing reference:

- 1) flat seal
- 2) vent
- 3) cap
- 4) air filter

KIPP Caps for filler necks

Order No.	D	D1	L	L1
K0456.67200	67,5	G2	30	15
K0456.676020	67,5	M60x2	30	15

Vent screws



Material:

Housing, cap in thermoplastic polyamide 66.
Air filter (Form B only) in polyurethane (PU foam).
O-ring in rubber (NBR).

Version:

Black housing.
Red cap.
Filter mesh 60 µm.

Sample order:

K0457.147034

Note:

Temperature resistant:
oil up to 100 °C
water up to 70 °C.
The removable cap allows easy cleaning of the air filter.

Drawing reference:

- 1) cap
- 2) air filter Form B only
- 3) O-ring

KIPP Vent screws

Order No. Form A	Order No. Form B	D	D1	D2	L	L1
K0457.136038	K0457.236038	36	G3/8	23	17	11
K0457.141012	K0457.241012	41	G1/2	28	18	12
K0457.147034	K0457.247034	47	G3/4	33	17	12
K0457.152100	K0457.252100	52	G1	38	20	12
K0457.163114	K0457.263114	63	G1 1/4	49	23	13
K0457.163112	K0457.263112	63	G1 1/2	55	23	13,5
K0457.1361615	K0457.2361615	36	M16x1,5	23	17	11
K0457.1411815	K0457.2411815	41	M18x1,5	28	17,5	12
K0457.1412015	K0457.2412015	41	M20x1,5	28	17,5	12
K0457.1412215	K0457.2412215	41	M22x1,5	28	17,5	12

Vent screws

with splash guard



Material:

Housing and cap thermoplastic polyamide 66.
Air filter polyurethane (PU foam).
Flat seal NBR, Shore 70.

Version:

Black housing.
Red cap.
Filter mesh 40 µm.

Sample order:

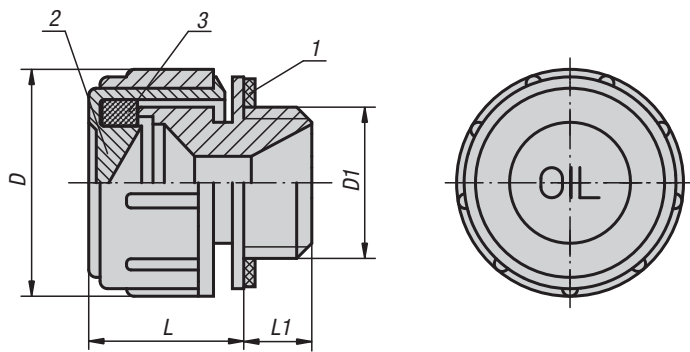
K0458.30038

Note:

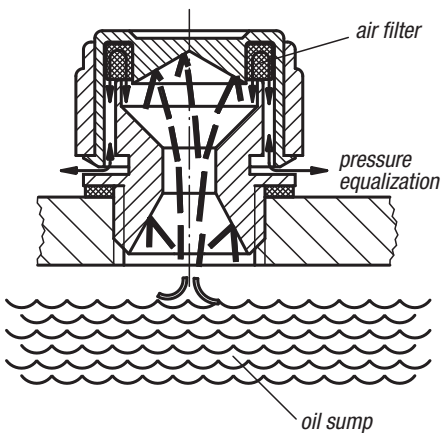
Temperature resistant up to 100°C.

Drawing reference:

- 1) flat seal
- 2) cap
- 3) air filter



splash guard



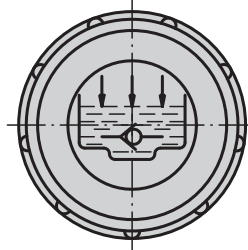
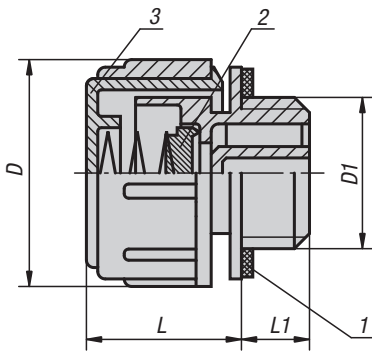
Gears partly immersed in an oil sump create an oil spray that may cause oil to leak from the vent cap. To avoid this the screw has been fitted with a splash guard. Only a small part of the oil spray can pass through the lower tapered bore. The oil that does reach the cap underside is redirected in such a way that it does not notably hinder the venting process.

KIPP Vent screws with splash guard

Order No.	D	D1	L	L1
K0458.30014	30	G1/4	21	10
K0458.30038	30	G3/8	21	10
K0458.30012	30	G1/2	21	10

Vent screws

with check valve



Material:

Housing and cap thermoplastic polyamide 66.
Spring stainless steel.
Lift disc and flat seal rubber (NBR).

Version:

Housing black.
Cap red.

Sample order:

K0459.30014

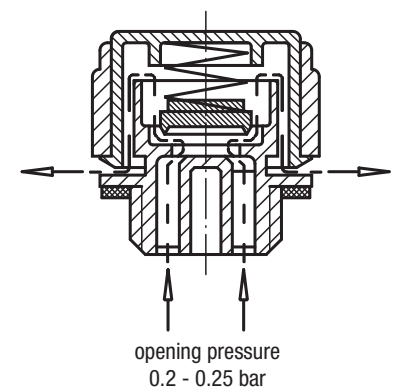
Note:

Temperature resistant:
oil up to 100 °C
water up to 70 °C.
Opening pressure 0.20 – 0.25 bar.

Drawing reference:

- 1) flat seal
- 2) lift disc
- 3) cap

Operating principle



KIPP Vent screws with check valve

Order No.	D	D1	L	L1
K0459.30014	30	G1/4	21	10
K0459.30038	30	G3/8	21	10
K0459.30012	30	G1/2	21	10



Vent screws brass



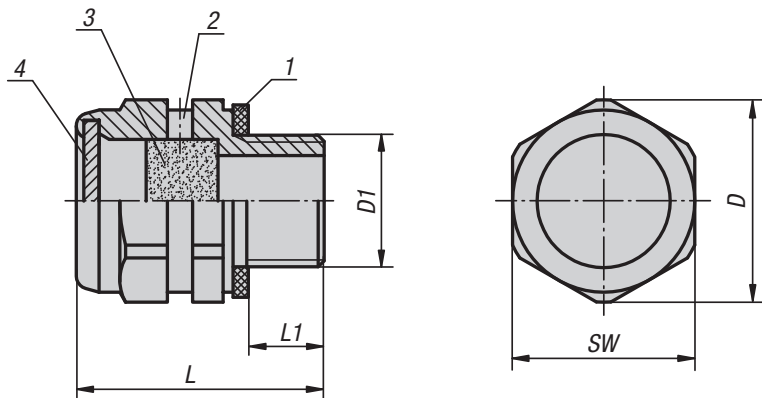
Material:
Housing and cap brass.
Air filter galvanized steel wire mesh.

Version:
Air filter mesh 50 - 60 µm.
Flat seal asbestos-free.

Sample order:
K0460.20014

Drawing reference:

- 1) flat seal
- 2) vent hole 2x
- 3) air filter
- 4) cap

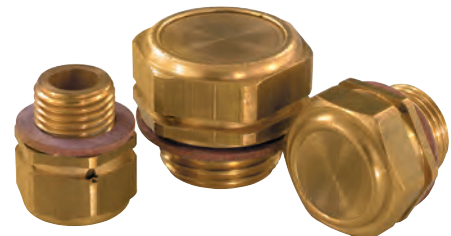


KIPP Vent screws brass

Order No.	D	D1	L	L1	SW
K0460.20014	20	G1/4	24,5	7,5	18
K0460.24038	24,5	G3/8	24,5	8,5	22
K0460.30012	30	G1/2	24,5	8,5	27

Vent screws brass

with check valve



Material:
Housing and cap brass.
Spring stainless steel.
Lift disc aluminium.
O-ring rubber (NBR).

Version:
Flat seal asbestos-free.

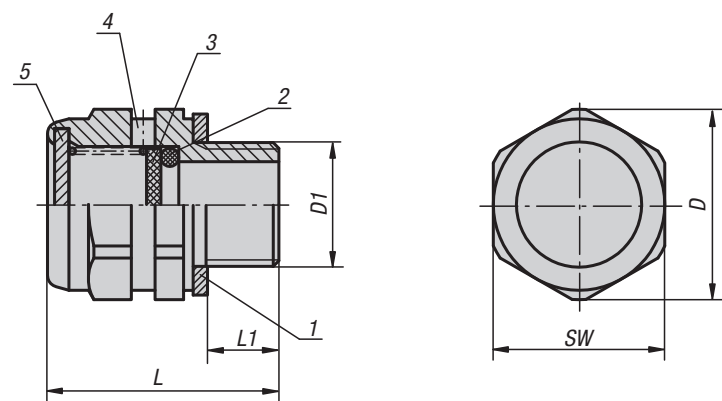
Sample order:
K0461.20014

Note:
Opening pressure 0.3 bar (±0.1).

Functional principle:
See K0459 vent screws with check valve.

Drawing reference:

- 1) flat seal
- 2) O-ring
- 3) lift disc
- 4) vent hole 2x
- 5) cap

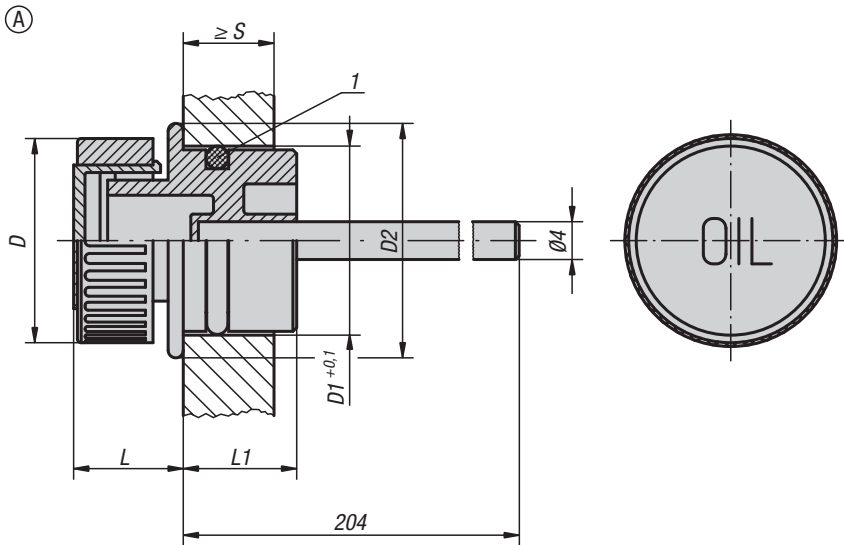


KIPP Vent screws brass with check valve

Order No.	D	D1	L	L1	SW
K0461.20014	20	G1/4	24,3	7,5	18
K0461.24038	24,5	G3/8	24,5	8,5	22
K0461.30012	30	G1/2	24,5	8,5	27

Press-in plugs

with dipstick



Material:

Housing and cap thermoplastic polyamide 66.
Air filter polyurethane (PU foam).
Dipstick zinc.
O-ring NBR, Shore 70.

Version:

Housing black.
Cap red.
Filter mesh 50 µm.
Dipstick phosphated.

Sample order:

K0462.13018

Note:

Temperature resistant up to 100°C.

On request:

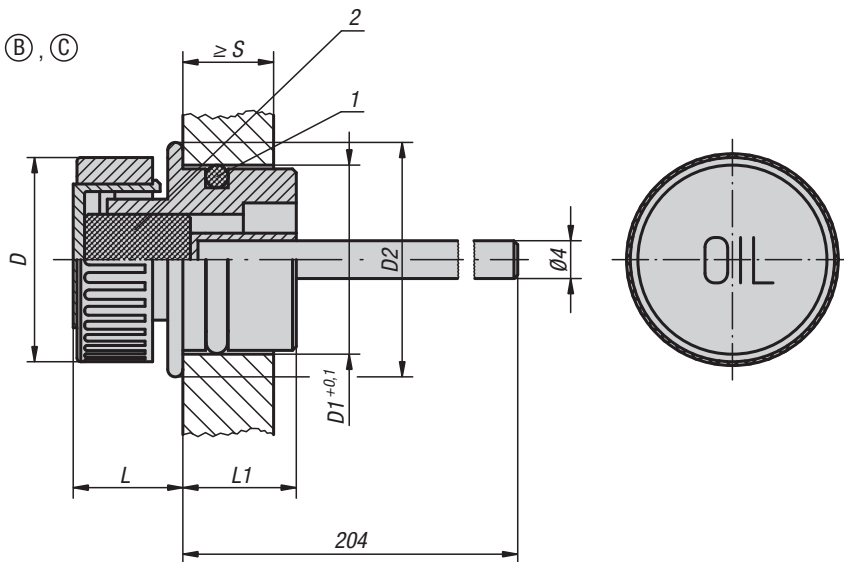
Min-Max markings.

Drawing reference:

Form A: without vent
Form B: with vent
Form C: with vent and air filter

1) O-ring

2) air filter Form C only



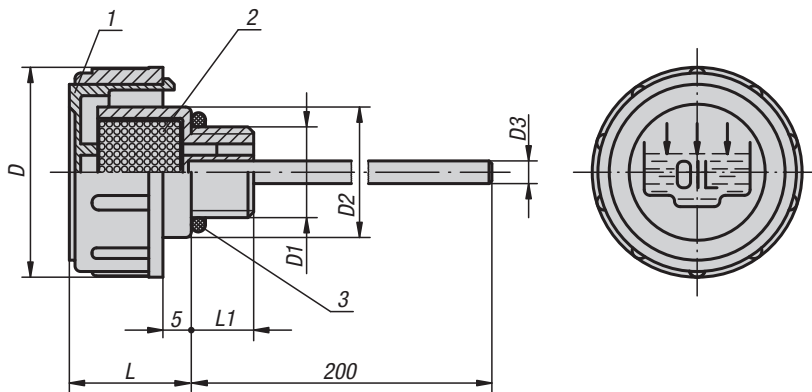
KIPP Press-in plugs with dipstick

Order No. Form A	Order No. Form B	Order No. Form C	D	drill-Ø D1	D2	L	L1	S min.
K0462.13018	K0462.23018	K0462.33018	30	18	23	14	14	8



Vent screws

with dipstick



Material:

Housing and cap thermoplastic polyamide 66.
Air filter polyurethane (PU foam).
Dipstick zinc.
O-ring NBR, Shore 70.

Version:

Housing black.
Cap red.
Filter mesh 50 µm.
Dipstick phosphated.

Sample order:

K0465.141012

Note:

Temperature resistant:
oil up to 100 °C
water up to 70 °C.
The removable cap allows easy cleaning of the air filter.

On request:

Min-Max markings.

Drawing reference:

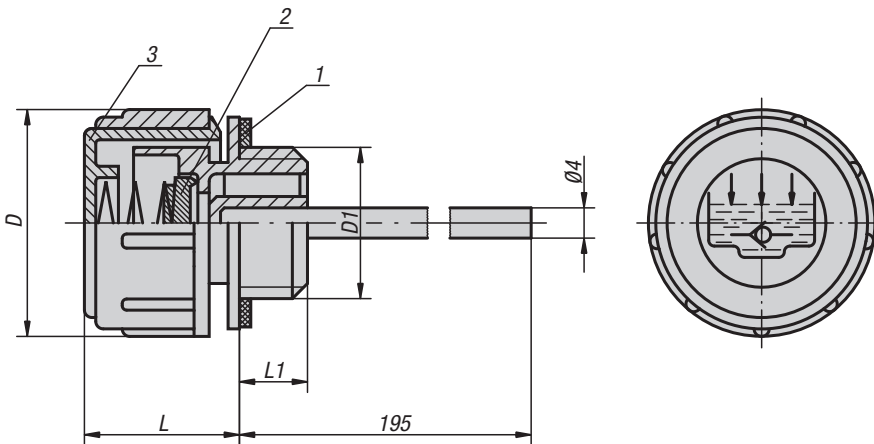
- 1) cap
- 2) air filter Form B only
- 3) O-ring

KIPP Vent screws with dipstick

Order No.	Form	D	D1	D2	D3	L	L1
K0465.136038	A	36	G3/8	23	4	17	11
K0465.141012	A	41	G1/2	28	4	18	12
K0465.147034	A	47	G3/4	33	5	17	12
K0465.152100	A	52	G1	38	5	20	12
K0465.163114	A	63	G1 1/4	49	5	23	13
K0465.163112	A	63	G1 1/2	55	5	23	13,5
K0465.1361615	A	36	M16x1,5	23	4	17	11
K0465.1411815	A	41	M18x1,5	28	4	17,5	12
K0465.1412015	A	41	M20x1,5	28	4	17,5	12
K0465.1412215	A	41	M22x1,5	28	4	17,5	12
K0465.236038	B	36	G3/8	23	4	17	11
K0465.241012	B	41	G1/2	28	4	18	12
K0465.247034	B	47	G3/4	33	5	17	12
K0465.252100	B	52	G1	38	5	20	12
K0465.263114	B	63	G1 1/4	49	5	23	13
K0465.263112	B	63	G1 1/2	55	5	23	13,5
K0465.2361615	B	36	M16x1,5	23	4	17	11
K0465.2411815	B	41	M18x1,5	28	4	17,5	12
K0465.2412015	B	41	M20x1,5	28	4	17,5	12
K0465.2412215	B	41	M22x1,5	28	4	17,5	12

Vent screws

with check valve and dipstick



Material:

Housing and cap thermoplastic polyamide.
Spring stainless steel.
Dipstick zinc.
Lift disc and seal rubber (NBR).

Version:

Housing black.
Cap red.
Dipstick phosphated.

Sample order:

K0467.30038

Note:

Temperature resistant:
oil up to 100 °C
water up to 70 °C.
Opening pressure 0.20 – 0.25 bar.

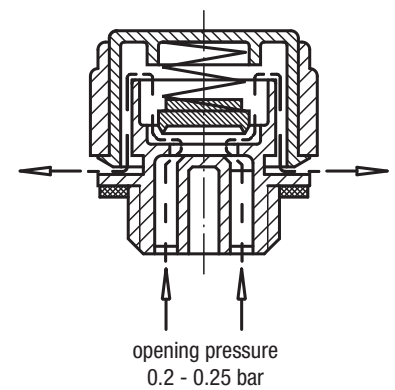
On request:

Min-Max markings.

Drawing reference:

- 1) flat seal
- 2) lift disc
- 3) cap

Operating principle

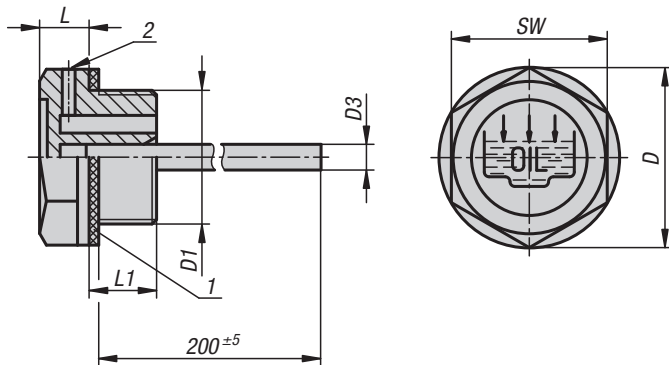


KIPP Vent screws with check valve and dipstick

Order No.	D	D1	L	L1
K0467.30038	30	G3/8	21	10
K0467.30012	30	G1/2	21	10

Screw plugs

with dipstick



Material:

Thermoplast, polyamide 66.
Dipstick steel, zinc phosphated.

Version:

Flat seal asbestos-free.

Sample order:

K1101.122038

Note:

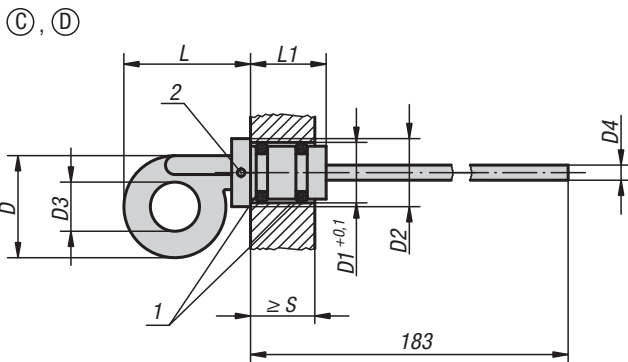
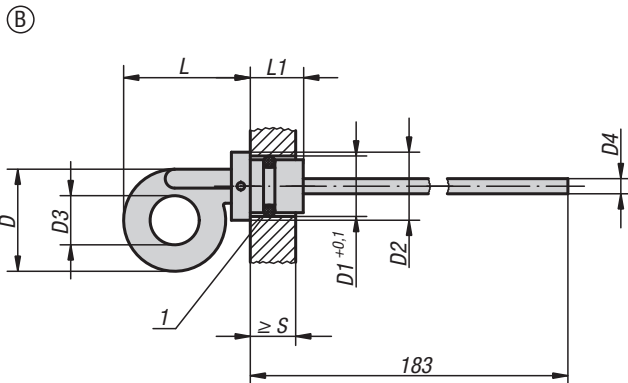
Operating temperature: max. 100°C.
Form B has a vent hole on the side of the hexagon head with a diameter of between 2 and 3.5 mm, depending on the size of the screw plug.

Drawing reference:

- 1) flat seal
- 2) vent hole Form B only

KIPP Screw plugs with dipstick

Order No.	Form	D	D1	D3	L	L1	SW
K1101.119014	A	19	G1/4	4	7	9	17
K1101.122038	A	22	G 3/8	4	7,5	10	18
K1101.128012	A	28	G 1/2	4	7,5	11	24
K1101.134034	A	34	G 3/4	5	9	11	30
K1101.142100	A	42	G 1	5	10,5	12	35
K1101.151114	A	51	G1 1/4	5	12	13,5	42
K1101.1191415	A	19	M14X1,5	4	7	9	17
K1101.1211615	A	21	M16X1,5	4	7,5	10	18
K1101.1261815	A	26	M18X1,5	4	7,5	10	21
K1101.1282015	A	28	M20X1,5	4	8	10	24
K1101.1282215	A	28	M22X1,5	4	8	11	24
K1101.219014	B	19	G1/4	4	7	9	17
K1101.222038	B	22	G 3/8	4	7,5	10	18
K1101.228012	B	28	G 1/2	4	7,5	11	24
K1101.234034	B	34	G 3/4	5	9	11	30
K1101.242100	B	42	G 1	5	10,5	12	35
K1101.251114	B	51	G1 1/4	5	12	13,5	42
K1101.2191415	B	19	M14X1,5	4	7	9	17
K1101.2211615	B	21	M16X1,5	4	7,5	10	18
K1101.2261815	B	26	M18X1,5	4	7,5	10	21
K1101.2282015	B	28	M20X1,5	4	8	10	24



Material:

Grip thermoplastic polyamide.
Dipstick zinc.
O-ring NBR, Shore 70.

Version:

Black handle.
Dipstick, phosphated.

Sample order:

K0468.23218

Note:

Temperature resistant up to 100°C.

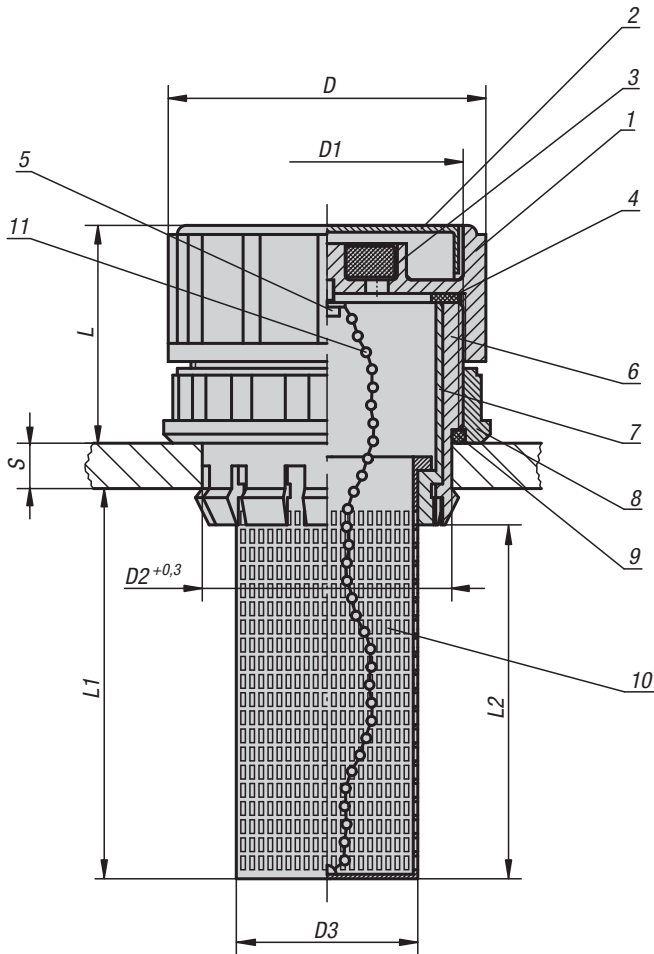
Drawing reference:

Form B: with vent hole
Form C: without vent hole
Form D: with vent hole

- 1) O-ring
- 2) Form D only

KIPP Dipsticks

Order No.	Form	D	drill-Ø D1	D2	D3	D4 Ø	L	L1	S min.
K0468.22714	B	27	14	18	13	4	34	13	10
K0468.23218	B	32	18	24	14	5	45	17	9
K0468.23220	B	32	20	24	14	5	44,5	18	10
K0468.32714	C	27	14	18	13	4	34	20	17
K0468.33012	C	27	12	18	14	4	36	20	16
K0468.33318	C	33	18	24	14	5	44	21	17,5
K0468.33520	C	35	20	24	16	5	46	21	17,5
K0468.42714	D	27	14	18	13	4	34	20	17
K0468.43318	D	33	18	24	14	5	44	21	17,5



Material, version:

- 1. Housing black thermoplastic polyamide 66.
- 2. Sealing cap red thermoplastic polyamide 66.
- 3. Air filter polyurethane (PU foam), filter grade 40 µm.
- 4. Flat seal NBR
- 5. Fastening screw nickel-plated steel.
- 6. Press-in unit black thermoplastic polyamide 66.
- 7. Stop sleeve black thermoplastic polyamide 66.
- 8. Fastening nut black polyamide 66.
- 9. O-ring NBR, Shore 70.
- 10. Filler sieve black thermoplastic polypropylene.
- 11. Chain nickel-plated brass.

Sample order:

K0470.706020

Note:

Temperature resistant up to 80 °C.

KIPP Filler necks

Order No.	D	D1	D2	D3	L	L1	L2	S
K0470.706020	70	M60x2	55	38	46,5	88	80	2 - 8

Filler neck



Material, version:

- 1. Sealing cap red Polyamide 66 thermoplastic.
- 2. Filler sieve black Polypropylene thermoplastic.
- 3. Flange galvanized steel.
- 4. Fastening screws galvanized steel.
- 5. Flange seal cork.
- 6. Chain brass.

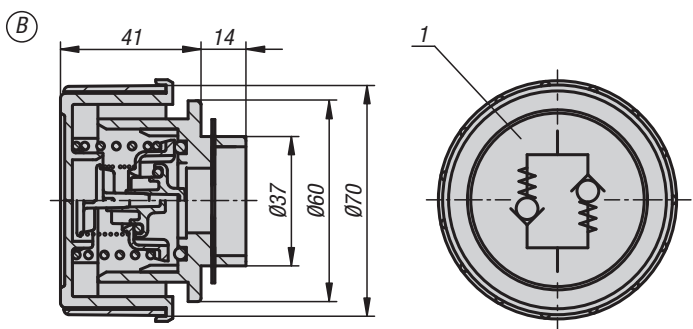
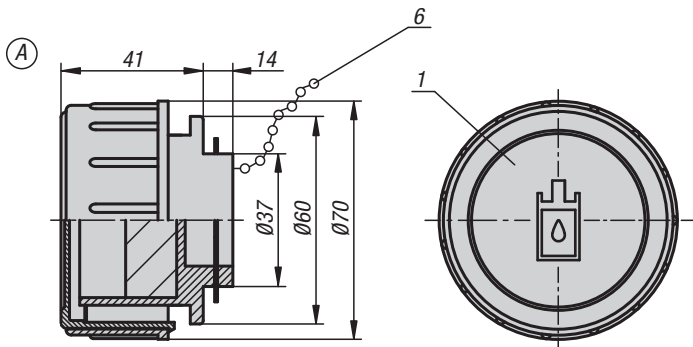
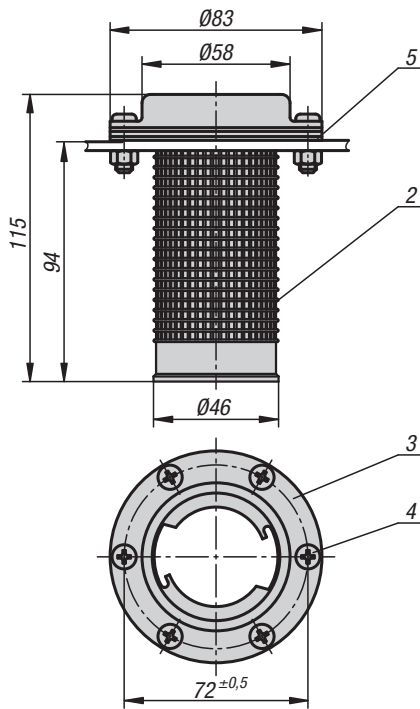
Sample order:

K1103.170

Note:

Form A: the max. pressure while venting is 50 mbar (0.73 psi) with a max. air volume of 500 l/min. The air filter prevents dirt entering.

Form B: contains a plastic vent and aeration valve. The opening pressure while venting is 0.35 bar (± 0.05 bar). The opening pressure while aerating is 0.05 bar. This form is suitable for applications where the airflow needs to be controlled in both directions.



KIPP Filler neck

Order No.	Type	Form
K1103.170	with filter	A
K1103.270	vent valve	B



Material, version:

1. Filler housing chrome steel
2. Air filter polyurethane (PU foam), filter mesh 40 µm. Flow rate up to 720 l/min
3. Flat seal cork
4. Mounting flange with fastening screws, bayonet fitting
5. Flat seal cork
6. Chain nickel-plated brass
7. Filler sieve galvanized steel

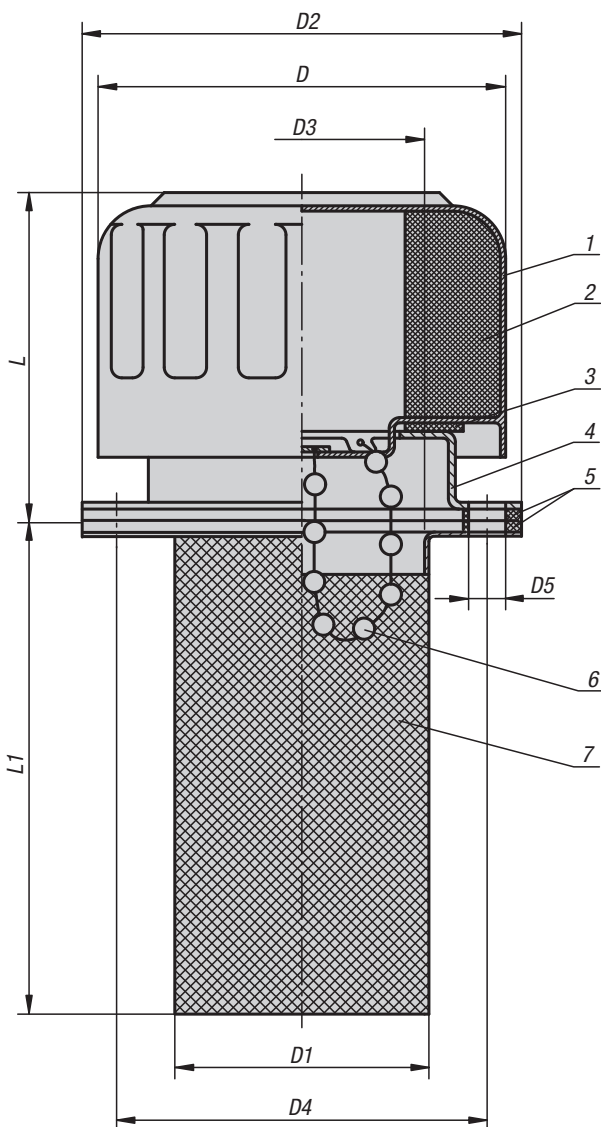
Sample order:

K0471.45

Note:

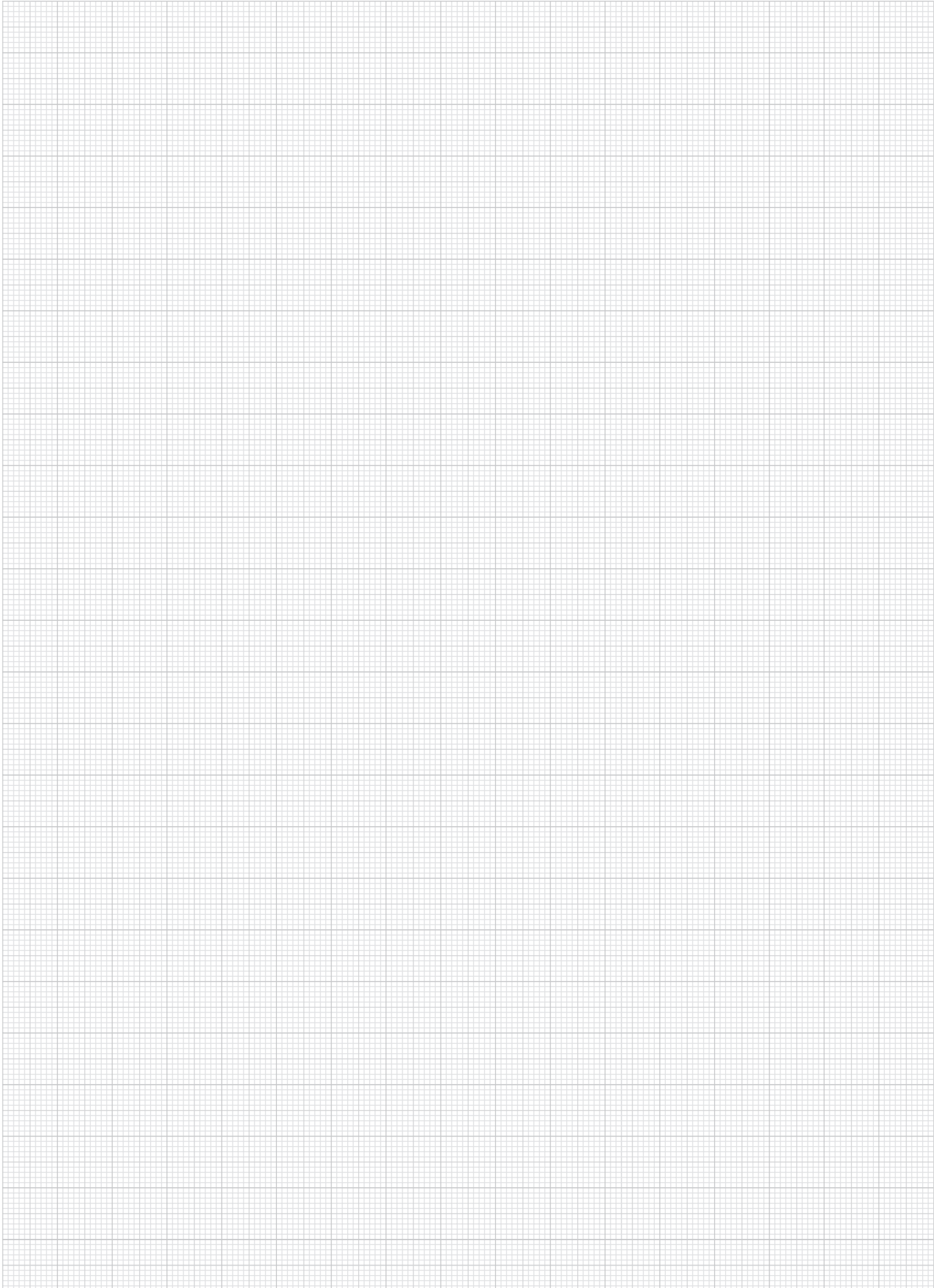
The filler necks are supplied with seals and M5 fastening screws.

Not suitable for water tanks.



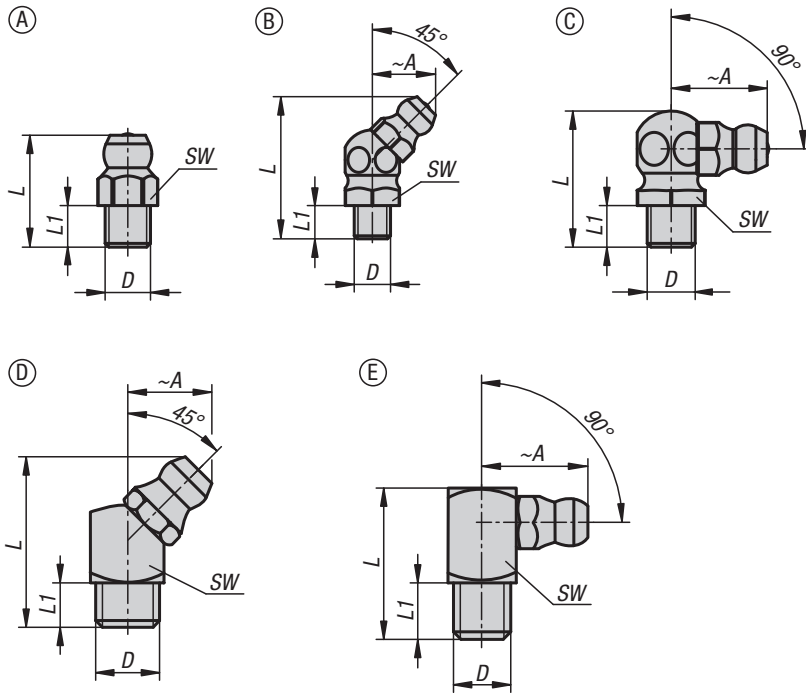
KIPP Filler necks

Order No.	Version	D	D1	D2	D3	D4	D5	L	L1
K0471.45	without chain	46,5	27,5	52	25	41,3	6 (3x)	43	66
K0471.77	with chain	80	49	83	44	71,5	6 (6x)	57	80



Grease nipples

conical head DIN 71412



Material:
Steel or 1.4305 stainless steel

Version:
Steel hardened, min. 550 HV 1, galvanised.
Stainless steel bright.

Sample order:
K1132.1106100

Note:
The conical head grease nipples have a tapered thread. They are suitable for grease points which must be lubricated often and reliably. Their versatility makes them the most widespread type of grease nipple.

KIPP Form A, straight

Order No. Steel	Order No. Stainless steel	Form	Type	D	L	L1	SW
K1132.1106100	K1132.2106100	A	hexagon	M06X1	15	5,5	7
K1132.1108100	K1132.2108100	A	hexagon	M8x1	15	5,5	9
K1132.1108125	K1132.2108125	A	hexagon	M08X1,25	15	5,5	9
K1132.1110100	K1132.2110100	A	hexagon	M10x1	15	5,5	11
K1132.1110150	K1132.2110150	A	hexagon	M10X1,5	15	5,5	11
K1132.1118	K1132.2118	A	hexagon	R1/8	15	5,5	11
K1132.1114	K1132.2114	A	hexagon	R1/4	17,5	6,5	14

KIPP Form B, 45°, hexagonal

Order No. Steel	Order No. Stainless steel	Form	Type	A	D	L	L1	SW
K1132.1206100	K1132.2206100	B	hexagon	10,5	M06X1	23,5	5,5	9
K1132.1208100	K1132.2208100	B	hexagon	10,5	M8x1	23,5	5,5	9
K1132.1208125	K1132.2208125	B	hexagon	10,5	M08X1,25	23,5	5,5	9
K1132.1210100	K1132.2210100	B	hexagon	11,5	M10x1	25	5,5	11
K1132.1210150	K1132.2210150	B	hexagon	11,5	M10X1,5	25	5,5	11
K1132.1218	K1132.2218	B	hexagon	11,5	R1/8	25	5,5	11
K1132.1214	K1132.2214	B	hexagon	12	R1/4	22,5	6,5	14

Grease nipples

conical head DIN 71412



KIPP Form C, 90°, hexagonal

Order No. Steel	Order No. Stainless steel	Form	Type	A	D	L	L1	SW
K1132.1306100	K1132.2306100	C	hexagon	13	M06X1	18	5,5	9
K1132.1308100	K1132.2308100	C	hexagon	13	M8x1	18	5,5	9
K1132.1308125	K1132.2308125	C	hexagon	13	M08X1,25	18	5,5	9
K1132.1310100	K1132.2310100	C	hexagon	14	M10x1	20	5,5	11
K1132.1310150	K1132.2310150	C	hexagon	14	M10X1,5	20	5,5	11
K1132.1318	K1132.2318	C	hexagon	14	R1/8	20	5,5	11
K1132.1314	K1132.2314	C	hexagon	14	R1/4	22	6,5	14

KIPP Form D, 45°, square

Order No.	Form	Main material	Type	A	D	L	L1	SW
K1132.1406100	D	Steel	square	10,5	M06X1	20,5	5,5	9
K1132.1408100	D	Steel	square	10,5	M8x1	20,5	5,5	9
K1132.1408125	D	Steel	square	10,5	M08X1,25	20,5	5,5	9
K1132.1410100	D	Steel	square	11	M10x1	20,5	5,5	11
K1132.1418	D	Steel	square	11	R1/8	20,5	5,5	11

KIPP Form E, 90°, square

Order No.	Form	Main material	Type	A	D	L	L1	SW
K1132.1506100	E	Steel	square	14	M06X1	18	5,5	9
K1132.1508100	E	Steel	square	14	M8x1	18	5,5	9
K1132.1508125	E	Steel	square	14	M08X1,25	18	5,5	9
K1132.1510100	E	Steel	square	15	M10x1	18	5,5	11
K1132.1518	E	Steel	square	15	R1/8	18	5,5	11

Grease nipple caps

for conical head grease nipples



Material:

Polyethylene (PE-LLD).

Version:

red, green, yellow or black.

Sample order:

K1133.911

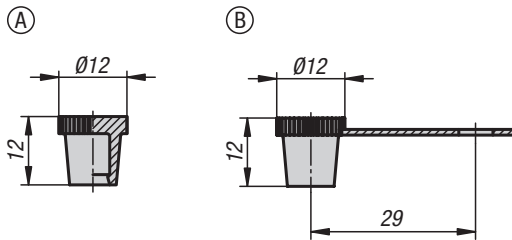
Note:

Suitable for all DIN 71412 conical head grease nipples. They keep dirt out of the head of the nipple. The different colours are for e.g. identifying the lubrication intervals.

Application temperature: -70°C to +85°C.

Form A: without tab

Form B: with tab

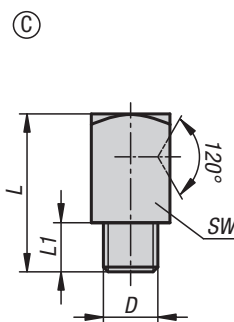
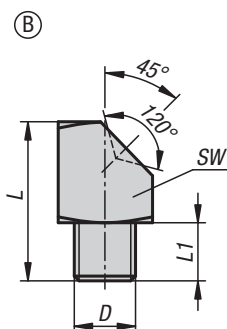
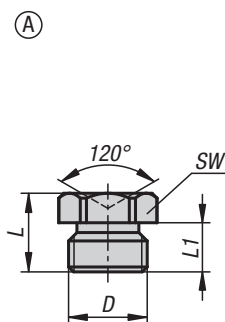


KIPP Grease nipple caps for conical grease nipples

Order No.	Form	Colour
K1133.914	A	Black
K1133.913	A	Yellow
K1133.912	A	Green
K1133.911	A	Red
K1133.921	B	Red
K1133.922	B	Green
K1133.923	B	Yellow
K1133.924	B	Black

Grease nipples

flush type DIN 3405



Material:

Steel or 1.4305 stainless steel

Version:

Steel galvanized.
Stainless steel bright.

Sample order:

K1134.1106100

Note:

Flush type grease nipples are particularly suitable for flush or recessed installation. By using flush type nipples, the required lubrication can also be carried out on points with poor accessibility.

Drawing reference:

Form A: straight
Form B: 45°
Form C: 90°

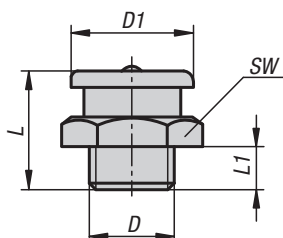
KIPP Grease nipples flush type DIN 3405

Order No.	Form	Main material	Type	D	L	L1	SW
K1134.1106100	A	Steel	hexagon	M06X1	9	6	7
K1134.1108100	A	Steel	hexagon	M8x1	9,5	6,5	9
K1134.1108125	A	Steel	hexagon	M08X1,25	9,5	6,5	9
K1134.1110100	A	Steel	hexagon	M10x1	9,5	6,5	11
K1134.1118	A	Steel	hexagon	R1/8	9,5	6,5	11
K1134.2106100	A	Stainless steel	hexagon	M06X1	9	6	7
K1134.2108100	A	Stainless steel	hexagon	M8x1	9,5	6,5	9
K1134.2108125	A	Stainless steel	hexagon	M08X1,25	9,5	6,5	9
K1134.2110100	A	Stainless steel	hexagon	M10x1	9,5	6,5	11
K1134.2118	A	Stainless steel	hexagon	G1/8	9,5	6,5	11
K1134.1206100	B	Steel	square	M06X1	15	5,5	9
K1134.1208100	B	Steel	square	M8x1	15	5,5	9
K1134.1208125	B	Steel	square	M08X1,25	15	5,5	9
K1134.1210100	B	Steel	square	M10x1	15	5,5	11
K1134.1218	B	Steel	square	R1/8	15	5,5	11
K1134.1306100	C	Steel	square	M06X1	18	5,5	9
K1134.1308100	C	Steel	square	M8x1	18	5,5	9
K1134.1308125	C	Steel	square	M08X1,25	18	5,5	9
K1134.1310100	C	Steel	square	M10x1	18	5,5	11
K1134.1318	C	Steel	square	R1/8	18	5,5	11



Grease nipples

button head DIN 3404



Material:

Steel or 1.4305 stainless steel

Version:

Steel galvanized.
Stainless steel bright.

Sample order:

K1135.11006100

Note:

As the construction of button head grease nipples allow for a high lubrication flow rate, they are especially useful for lubrication points which require a large grease volume. Because of the robust design, button head grease nipples are preferred for machines that are subjected to high external stress.

KIPP Grease nipples button head DIN 3404

Order No.	Main material	D	D1	L	L1	SW
K1135.11006100	steel	M06X1	10	13,5	5,5	11
K1135.11008100	steel	M8x1	10	13,5	5,5	11
K1135.11010100	steel	M10x1	10	13,5	5,5	11
K1135.11018	steel	G1/8	10	13,5	5,5	11
K1135.11606100	steel	M06X1	16	17	6	17
K1135.11608100	steel	M8x1	16	17	6	17
K1135.11608125	steel	M08X1,25	16	17	6	17
K1135.11610100	steel	M10x1	16	17	6	17
K1135.11610150	steel	M10X1,5	16	17	6	17
K1135.11612150	steel	M12x1,5	16	17	6	17
K1135.11616150	steel	M16x1,5	16	18	7	17
K1135.11618	steel	G1/8	16	17	6	17
K1135.11614	steel	G1/4	16	17	6	17
K1135.21606100	stainless steel	M06X1	16	17	6	17
K1135.21608100	stainless steel	M8x1	16	17	6	17
K1135.21608125	stainless steel	M08X1,25	16	17	6	17
K1135.21610100	stainless steel	M10x1	16	17	6	17
K1135.21610150	stainless steel	M10X1,5	16	17	6	17
K1135.21612150	stainless steel	M12x1,5	16	17	6	17
K1135.21618	stainless steel	G1/8	16	17	6	17
K1135.21614	stainless steel	R1/4	16	17	6	17
K1135.12216150	steel	M16x1,5	22	21,5	8	22
K1135.12214	steel	G1/4	22	21,5	8	22
K1135.12238	steel	G3/8	22	21,5	8	22
K1135.22216150	stainless steel	M16x1,5	22	21,5	8	22
K1135.22214	stainless steel	G1/4	22	21,5	8	22
K1135.22238	stainless steel	G3/8	22	21,5	8	22

