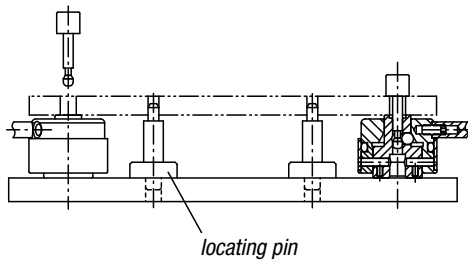


How to locate workpiece

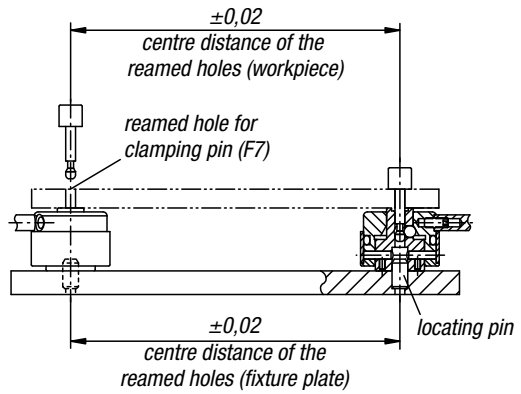


Workpiece positioning

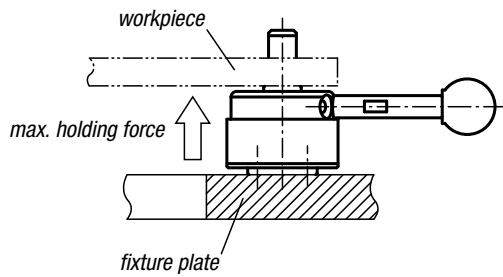
Clamping by means of pull clamp and clamping pin



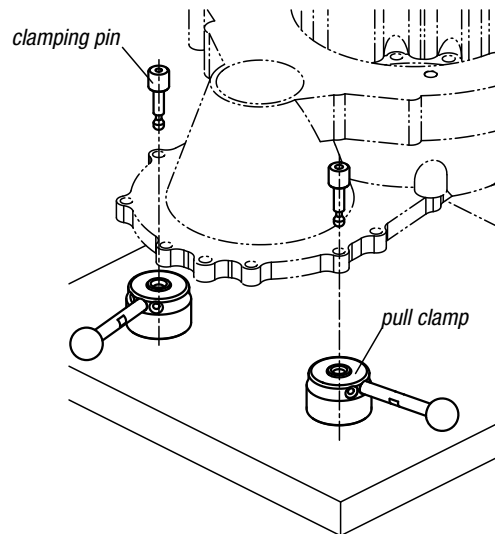
Simultaneous clamping and positioning of a workpiece



Holding forces for workpiece processing



Make sure that no force exceeding the values in the table is affecting the bottom of the workpiece.



performance curve

