

Workpiece supports adjustable

Item description/product images



Description

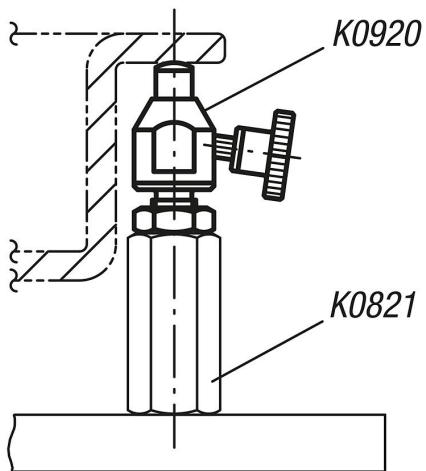
Material:

Carbon steel.

Version:

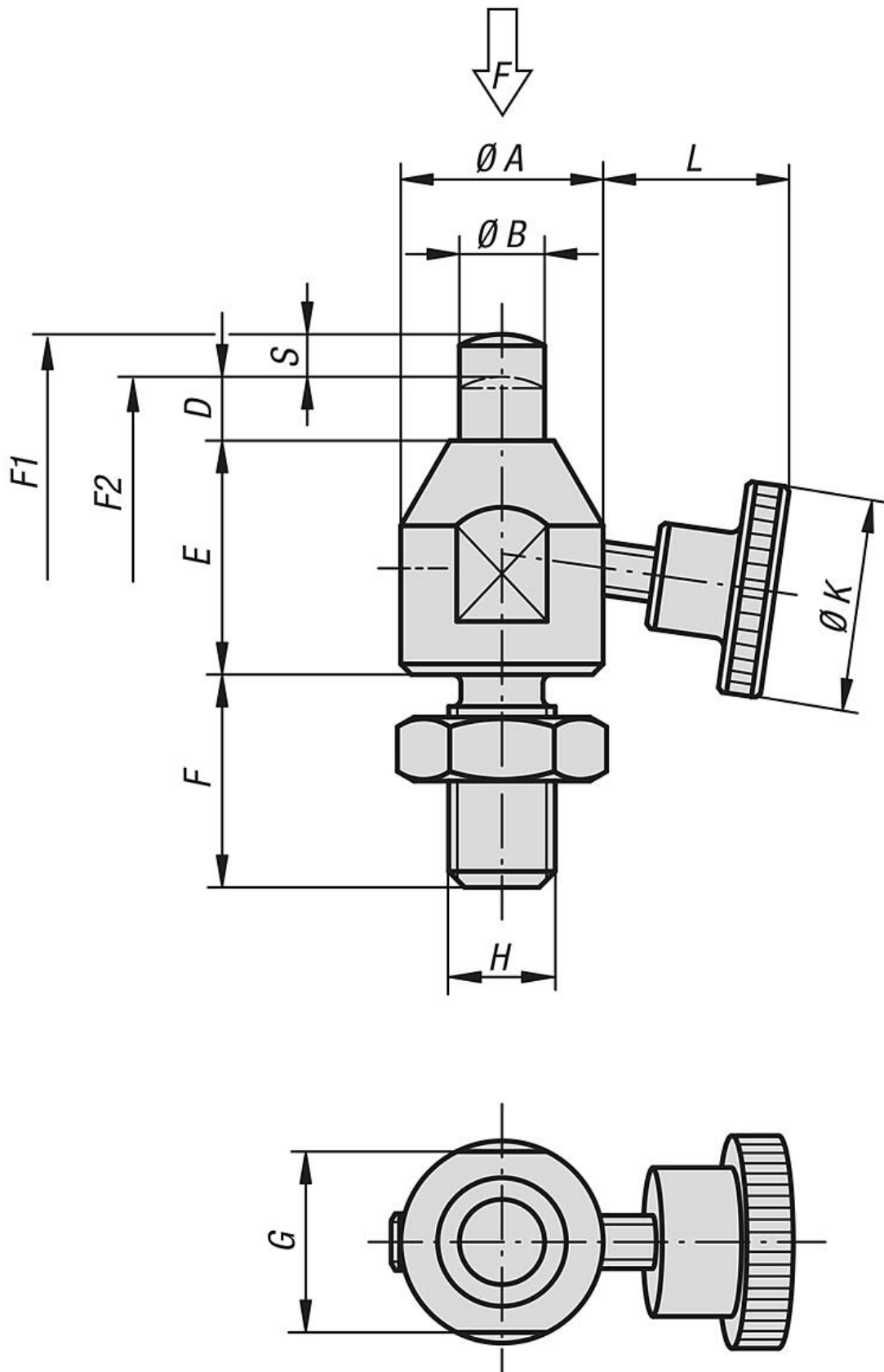
Body black oxidised.

Rest pad hardened and black oxidised.



Workpiece supports adjustable

Drawings



Workpiece supports adjustable

Overview of items

Workpiece supports, adjustable

Order No.	A	B	D	E	F	G	H	K	L	F N	Travel S	Spring force initial pressure F1 approx. N	Spring force final pressure F2 approx. N
K0920.08023	15	6	5	18	16	13	M8	20	13,2	200	3	1,5	3
K0920.10028	19	8	6	22	20	17	M10	25	16,3	300	4	1,8	3
K0920.12031	22	10	6	25	24	19	M12	28	22,3	400	4	1,8	3