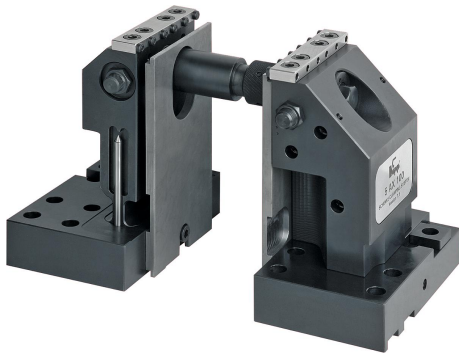


5-axis clamping system for T-slots

Item description/product images



Description

Note:

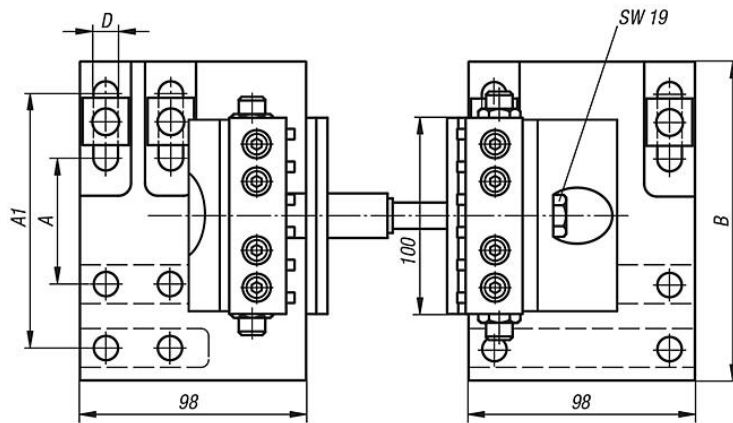
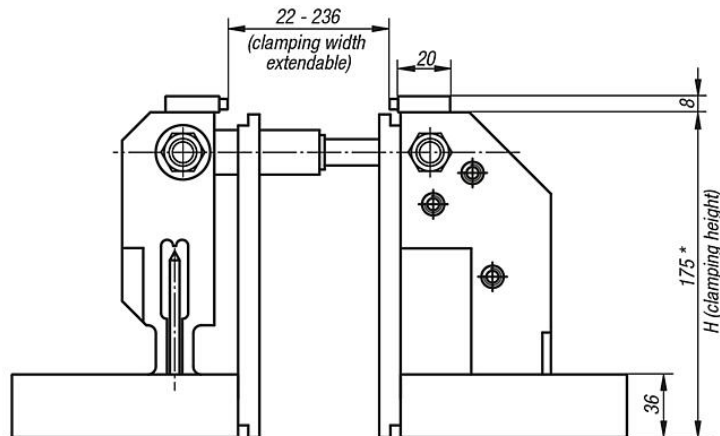
5-axis vices for mounting on machine tables with T-slots. These vices enable 5-sided machining free of interfering edges with a clamping depth of only 8 mm. With this clamping system, clamping widths of 22–236 mm are possible, and can be extended as desired using the optionally available K0947 extension shafts. By installing a tension spindle immediately under the workpiece support, a force of up to 42 kN is applied to the workpiece, this is not lost due to flexing. The use of clamping pins with a 4 mm cup point allows positive-fit clamping without pre-embossing.

The fastening set K0951 is recommended for mounting the vices on T-slot tables. The set includes one extension shaft with $L = 60$ mm and one with $L = 120$ mm.

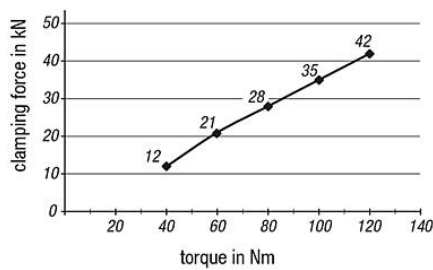
* The clamping height can be extended with the riser plates K0941 and seating ledges K0942.

5-axis clamping system for T-slots

Drawings



clamping force 5 axis clamping system



Overview of items

5 Axis clamping system for T-slots

Order No.	Suitable for	A	A1	B	D	H	Clamping force max. kN	weight kg
K0940.063175	slot spacing 63 - 126	63	126	158	12,5	175 *	42	21,32

